

Think Life Enjoy Light

LED Power Supply 2018/2019

SELF

LED Power Supply 2018/2019



SELF Electronics Germany GmbH

August-Horch-Str. 7, 51149 Cologne
Phone: +492203-18501-0
Fax: 492203-18501-199
E-mail: saleseu@self-electronics.com

SELF Electronics USA Corporation

3264 Saturn Ct, Peachtree Corners, GA 30092
Phone: +1-770-248-9023
Fax: +1-770-248-9028
E-mail: salesus@self-electronics.com

SELF Electronics Co.,Ltd.(Headquarters)

Add: No. 1345 JuXian Road, Ningbo Hi Tech Park, Ningbo, China 315103
Phone: +86-574-2880-5765, +86-574-2880-5658 (for English assistance)
+86-574-2880-5678 (for Chinese assistance)
Fax: +86-574-28805656
E-mail: sales@self-electronics.com
<http://www.self-electronics.com>

Copyright © 2018/2019, SELF Electronics Co.,Ltd. All rights reserved.
Designs and specifications may change without prior notice.

SMG 136

SELF

POWER, YOU NEED





1993-2018

















The story of Three Pine Trees

In the west of the SELF new plant standing three pines: "We, plain but of a unique style, remain calm and not disturbed after the relocation. We, together with SELF people, witness the transformation after the raging storms!"

In 1997, Ningbo was attacked by disastrous typhoon, and then SELF employees protected the growing spines by steel bed. The same year, SELF suffered "TüV Incident", in a pinch, it was the philosophy "be a good SELF employee before doing something" leading us out of trouble and winning good reputation on the market.

SELF has been relocated three times since 1993, during the time the three pines have grown into towering trees. The character of "people" in Chinese means supporting each other, means weathering the storm together. "Cold and heat cannot shale our faith, time and tide cannot defeat us", this is the quality of both pine trees and SELF Electronics. Although the market is unpredictable, the difficulties happened to us again and again, we will never stop chasing a brilliant future.....

Important marks

	Dutch KEMA institute safety test mark
	Dutch KEMA institute EMC test mark
	German VDE institute safety test mark
	German VDE institute EMC test mark
	Swedish SEMKO institute safety test mark
	Swedish SEMKO institute EMC test mark
	UL listed mark (for USA and Canada)
	Intertek ETL mark (for USA and Canada)
	UL recognized mark for components
	CE mark of conformity
	Mark for converters suitable for integration into furniture whose flammability is unknown
	Luminaires suitable for direct mounting on normally flammable surfaces
	International mark certified for the highest surface temperature of converters, even in abnormal conditions
	International mark for independent converter
	International mark for protection II
	International mark for protection II (built-in converter)
SELV	International mark for transformers of converters (safety extra-low voltage)

Test standard for electronic control gear

EN60598	Luminaires: General requirements and tests
EN61347-1	Control gear: General safety requirements
EN61347-2-11	Lamp controlgear. Particular requirements for miscellaneous electronic circuits used with luminaires
EN61347-2-13	Particular requirements for d.c. or a.c. supplied electronic control gear for LED modules
EN62493	Assessment of lighting equipment related to human exposure to electromagnetic fields
EN60335	Household and similar electrical appliances
EN55015	Limits and methods of measurements of radio interference characteristics of lights
EN61547	EMC immunity requirements on equipment for lighting purposes
EN61000-3-2	Limits for harmonic current emissions
EN61000-3-3	Limits of voltage fluctuations and flicker
No. 1194/2012	Ecodesign requirements for directional lamps, light emitting diode lamps and related equipment
IEC62386	Digital addressable lighting interface
UL 8750	LED equipment for use in lighting products
UL 1310	Class 2 power units
FCC18A	EMC requirements of Federal Communications Commission for industrial equipment
FCC15	EMC requirements of Federal Communications Commission

Constant Voltage

FCV:Constant Voltage Fixed Output



CV Ultrathin Series

- Feature:
- Super thin (12mm to 16.5mm)
 - Constant Voltage Output
 - SELV/UL8750 Class 2 design
 - Open circuit, short circuit, over load and over temperature protection
 - Excellent heat-emitting design

DCV:Constant Voltage Dimming



CV Smart Series

- Feature:
- IR/PIR Sensor
 - IR/PIR Sensor + 2.4G wireless
 - IR/PIR Sensor + Bluetooth
 - Dimming 2%-100%
 - CCT Color changing
 - Quiet Design

Constant Current

FCC:Constant Current Fixed Output



CC Basic Series

- Feature:
- Compact dimensions
 - SELV output(<60V)
 - Fast start-up time $\leq 0.5s$
 - Auto restart after fault conditions removal
 - ECO design, comply with ERP directives

DCC:Constant Current Dimming



CC Classic Series Triac

- Feature:
- Dimming 10%-100%
 - Ripple free in whole dimming range
 - Quiet Design
 - By Trailing or Leading edge dimmers
 - High compatibility for different dimmers



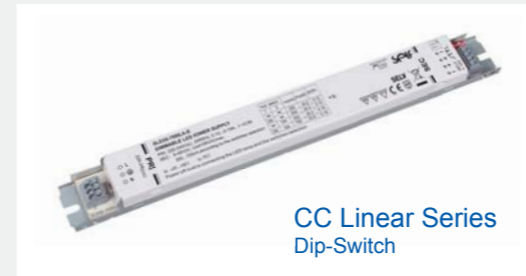
CV Classic Series

- Feature:
- Whole range (6W to 150W)
 - Constant Voltage Output
 - Compact design
 - Open circuit, short circuit, over load and over temperature protection
 - No load power consumption $\leq 0.3W$



CV Classic Series High-Adaptability Triac

- Feature:
- Dimming range 5%-100%
 - PWM dimming mode
 - Quiet Design
 - By Trailing or Leading edge dimmers
 - High compatibility for different dimmers



CC Linear Series Dip-Switch

- Feature:
- Slim size (22mm height)
 - Efficiency >86%
 - Class I protection
 - SELV output (<60V)
 - 1-10V dimming function optional
 - Multi output current with Dipswitch



CC Linear Series DALI

- Feature:
- 5-100% dimming
 - DALI or PUSH DIM
 - Class I protection
 - With memory function
 - Slim size (22mm height)
 - Multi output current with Dipswitch



CV Metal Series Metal-Slim

- Feature:
- Waterproof (IP66 and IP67)
 - Universal input voltage
 - SELV/UL8750 Class 2 design
 - With input and output flying leads
 - No load power consumption $\leq 0.3W$



CV Metal Series 3 in 1

- Feature:
- Dimming range 5%-100%
 - PWM dimming mode
 - By 0/1-10V, 10V PWM signal or resistance
 - SELV/UL 8750 class 2 output
 - With input and output flying leads
 - Universal Input voltage



CC Compact Series Dip-Switch

- Feature:
- Compact design
 - Ripple free
 - Built-in or Independent use
 - Active Power Factor Corrector.
 - Multi output current with Dipswitch
 - Current accuracy $\pm 5\%$ including temperature variations.

About us



SELF Electronics Manufacture Base (Ningbo, China)



SELF Electronics USA Corporation (Atlanta GA, United States)



SELF Electronics Germany GmbH (Cologne, Germany)



SELF Electronics Company, established in May 1993 in Ningbo, China, is an electronics manufacturer specializing in LED power supply and control for commercial and residential use. SELF products are not only shipped to customers in its home country, but also to over 30 countries in Europe and North America. With quality products, innovative designs, and reliable service, we have confidence in our quest to be listed among the best companies in the "green" lighting industry.

Road of innovation

1993

SELF is founded as the first IR sensor lighting manufacturer in China.

1996

Electronic transformer achieves TÜV certification in Germany.

2000

SELF makes significant progress in electronic transformer EMC performance and solves the technical bottleneck of mutual EMC interference between long cord and stranded cord.

Shenzhen office is founded.

2005

SELF is awarded with the title of the National Hi-Tech Enterprise by the China National Ministry of Science and Technology.

2010

SELF's laboratory obtains American UL-CTDP certification.

2015

SELF achieved National Enterprise Postdoctoral Programme. Issued by National Human Resources & Social Security Bureau and National Postdoctoral Administrative Committee.

2017

SELF join in Digital Illumination Interface Alliance.

Get the first DALI1.0 product.

1994

The first automatic light HZD101 achieves GS certification.

1998

SELF's first electronic transformer achieves VDE certification in Germany making SELF the first Chinese company to get this certification for transformer technology.

2004

36 high-quality residential ballasts are launched onto the market.

2009

SELF's European headquarters is founded in Cologne, Germany.

SELF's US headquarters is founded in Atlanta, USA.

2014

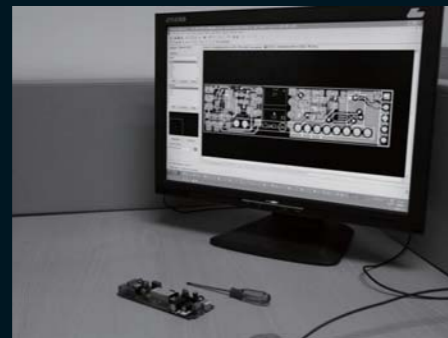
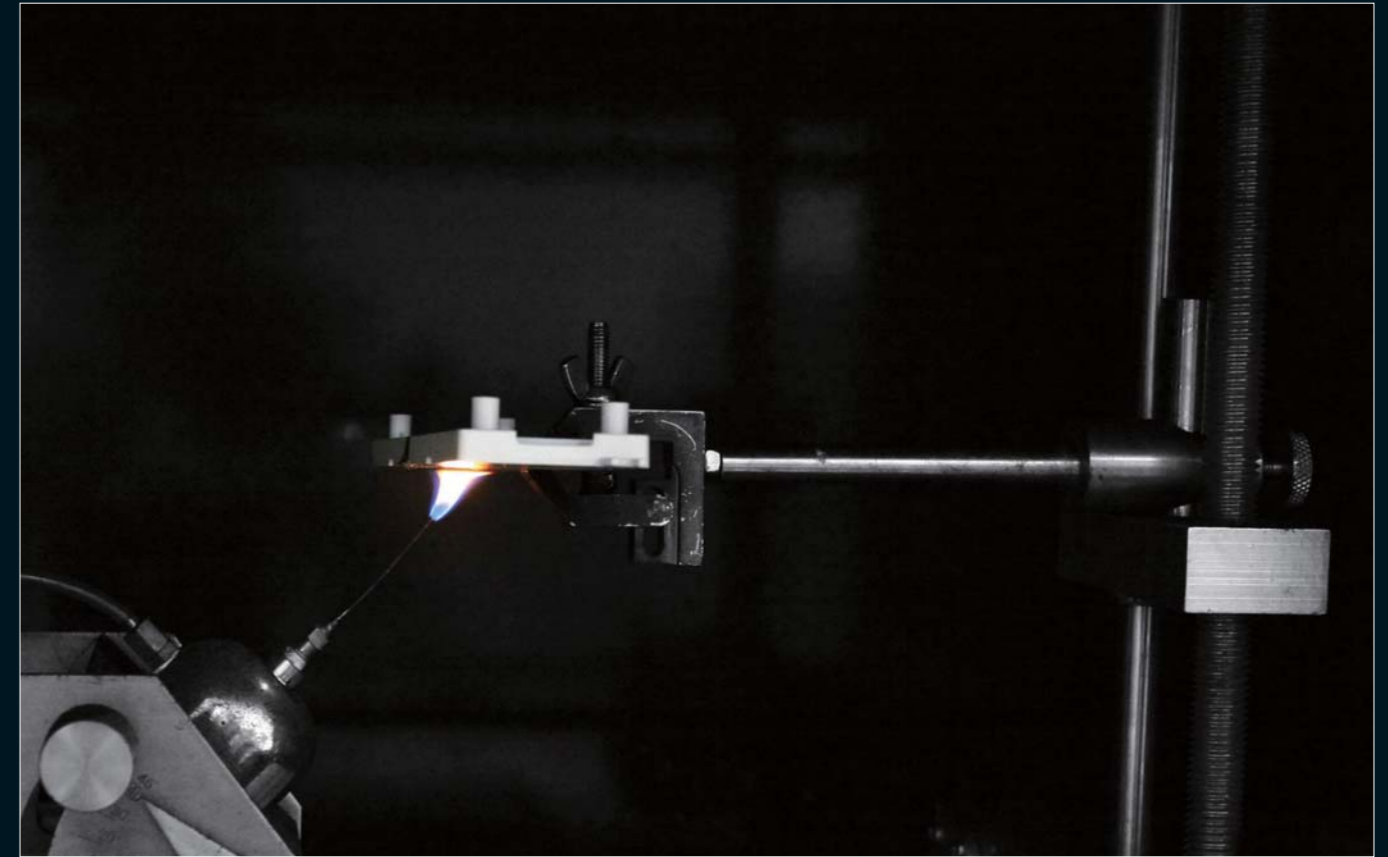
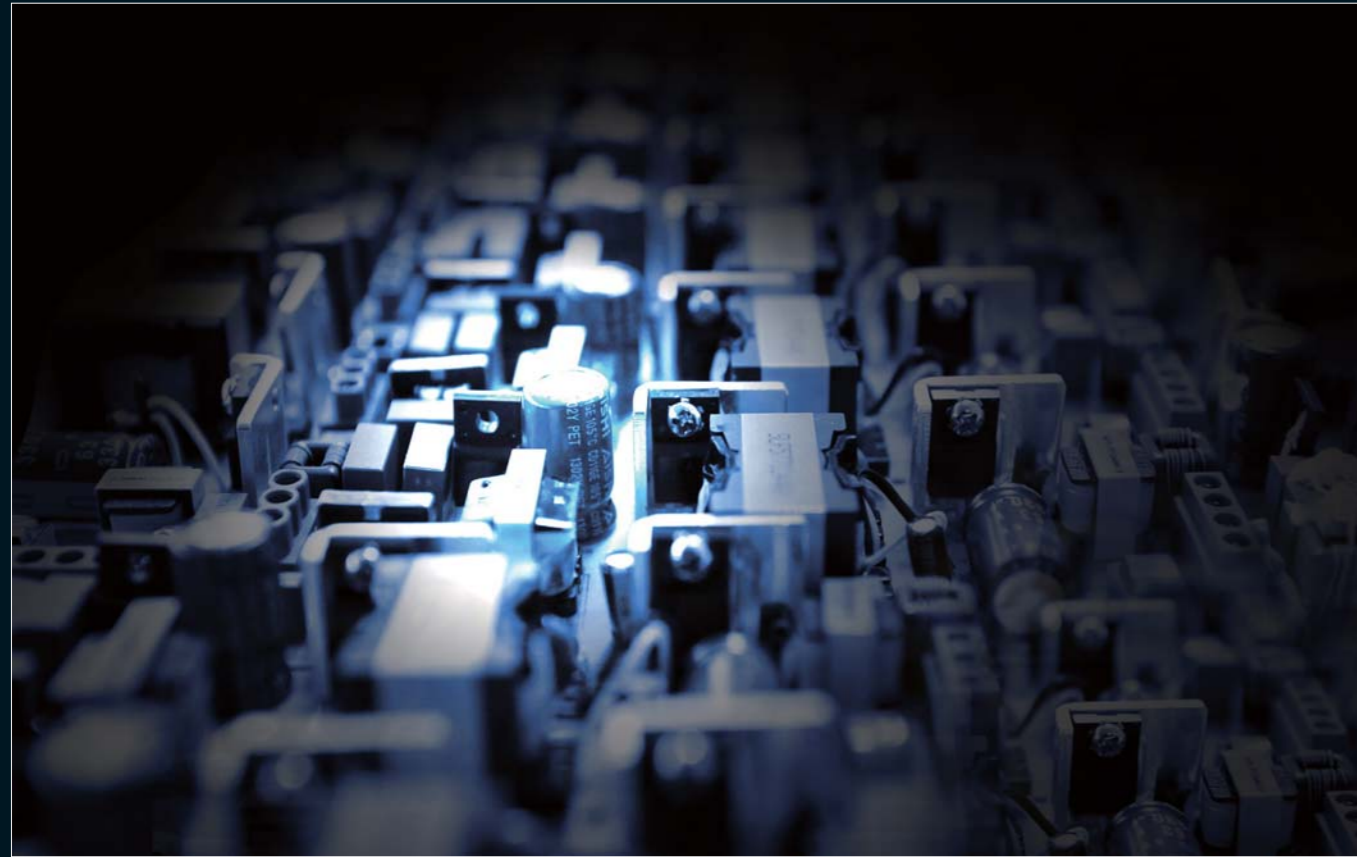
SELF's laboratory obtains VDE's Test Data Acceptance Program certification.

2016

Accomplished implementation of SAP to run SELF global business.

Achieved 200 Patents accumulatively.

Core competence



Research and development

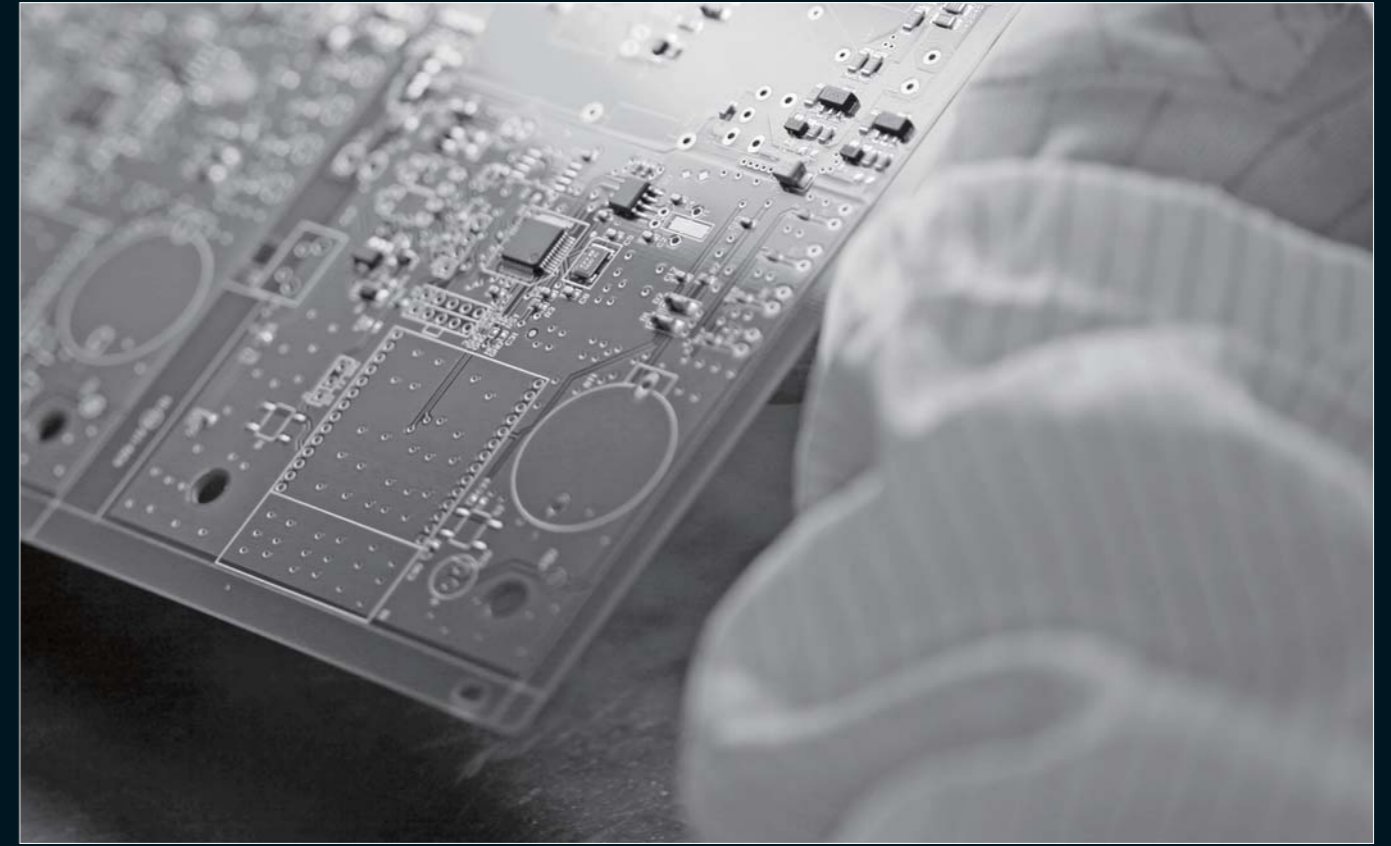
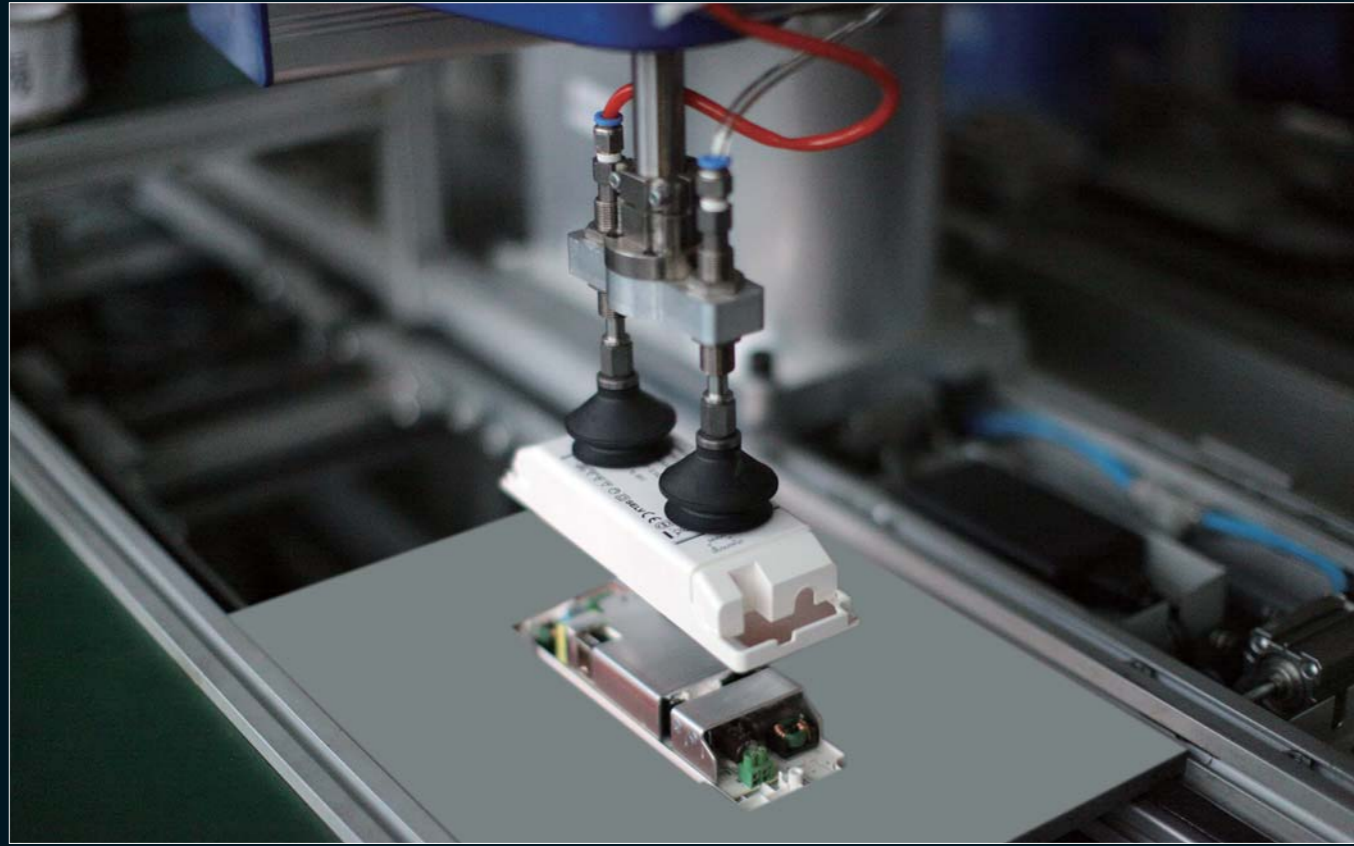
With a development team of electronic, mechanical, optical, thermal etc engineers, SELF is a company with independent development and design capabilities.

Testing facilities

SELF's testing facility resources include a talented staff of senior testing engineers as well as advanced testing equipment. SELF uses its state-of-the-art testing facilities to ensure products comply with international standards. SELF's testing laboratory is approved by UL as a CTDP (Client Test Data Program) laboratory for both LED power supply and LED lighting fixtures. The laboratory has also been authorized to be the VDE TDAP (Test Data Acceptance Program) by VDE Testing and Certification Institute, and accredited by CNAS(China National Accreditation Service for Conformity Assessment) for the competence of its testing and calibration laboratory.



Core competence



Production management

With a factory floor area of more than 58,000 m², SELF has the latest technology assembly lines, large-scale production capability, and advanced production equipments. ERP systems manage orders from placement to fulfillment, ensuring prompt production and delivery.

Quality

The SELF Quality Control department strives to maintain the highest level of production by performing 100% on-line inspections.

LED Power Supply

FCV:Constant Voltage Fixed Output

Basic Series



SLT6-350ILs
SLT6-700ILs
SLT6-350IL-4
SLT6-700IL-4
18

SLT15-12VF-2s
SLT15-24VF-2s
19



SLT20-12VLG-UN
SLT20-24VLG-UN
20

Classic Series



SLT30-12VLG-Es
SLT30-24VLG-Es
SLT30-48VLG-Es
22

SLT60-12VLG-E
SLT60-24VLG-E
23

SLT75-24VL-2
24

SLT75-24VL-E
25

SLT100-12VL-E
SLT100-24VL-E
26



SLT120-12VLE*
SLT120-24VLE*
27



SLT150-24VLE
28

Ultrathin Series



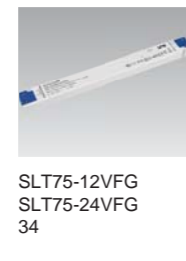
SLT15-12VFG
SLT15-24VFG
30

SLT20-12VFGs
SLT20-24VFGs
31

SLT30-12VFG
SLT30-24VFG
32



SLT60-12VFG-UN
SLT60-24VFG-UN
SLT60-48VFG-UN
33



SLT75-12VFG
SLT75-24VFG
34



SLT100-12VFG
SLT100-24VFG-UN
SLT100-48VFG-UN
35



SLT150-12VFG*
SLT150-24VFG*
36

Metal Series Metal-Slim & Premium



SLT30-12VFC-UN
SLT30-24VFC-UN
39

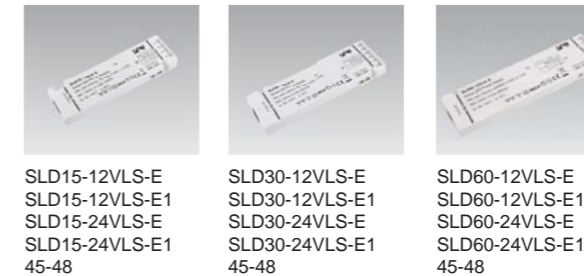
SLT75-12VFC-UN
SLT75-24VFC-UN
40

SLT96-12VLC-UN
SLT96-24VLC-UN
41

SLT200-12VLC-UN*
SLT200-24VLC-UN*
42

DCV:Constant Voltage Dimming

Smart Series



SLD15-12VLS-E
SLD15-12VLS-E1
SLD15-24VLS-E
SLD15-24VLS-E1
45-48

SLD30-12VLS-E
SLD30-12VLS-E1
SLD30-24VLS-E
SLD30-24VLS-E1
45-48

SLD60-12VLS-E
SLD60-12VLS-E1
SLD60-24VLS-E
SLD60-24VLS-E1
45-48

Classic Series High-Adaptability Triac



SLD30-12VL-E
SLD30-24VL-E
50

SLD75-12VL-E
SLD75-24VL-E
51

SLD120-24VL-E
52

Metal Series 3 in 1



SLD96-12VCA-UN*
SLD96-24VCA-UN*
55

SLD200-12VCA-UN*
SLD200-24VCA-UN*
56

* For Under development product, please take the official datasheet for reference.

- New product
- IP Level
- Coming Soon
- Under development
- Bestselling

* For Under development product, please take the official datasheet for reference.

LED Power Supply

FCC:Constant Current Fixed Output

Basic Series

	 NEW IP66 Bestselling	 IP66 Under development	 Bestselling
SLT3-350IS-1 SLT3-700IS-1 59	SLT3-350ISC SLT3-700ISC SLT4-500ISC 60	SLT6-350ISC-UN* SLT6-500ISC-UN* SLT6-700ISC-UN* 61	SLT6-350ILs SLT6-700ILs SLT6-350IL-4 SLT6-500IL-4 SLT6-700IL-4 62
 Under development			
SLT10-250IL-UN* SLT10-350IL-UN* SLT10-450IL-UN* SLT10-500IL-UN* SLT10-700IL-UN* 63	SLT12-350IF-Es SLT12-500IF-Es SLT12-700IF-Es 64		

Classic Series

		
SLT25-350ILE-E SLT25-500ILE-E SLT25-700ILE-E 65	SLT30-600ILE-E SLT30-700ILE-E 66	SLT40-800ILE-E SLT40-900ILE-E SLT40-1050ILE-E 66

Linear Series Dip-Switch

		 Bestselling		 COMING SOON
SLT35-700IL-E 68	SLD35-700IL-E 69	SLT50-1050IL-E 70	SLT80-1500IL-E 71	SLT80-350IL-EU 72

Compact Series Dip-Switch

 NEW	 NEW	 NEW	 NEW
SLT20-500IB(L)-UN 75	SLT25-600IB(L)-E 76	SLT35-1000IB(L)-UN 77	SLT45-1050IB(L)-E 78

* For Under development product , please take the official datasheet for reference.

DCC:Constant Current Dimming




Classic Series Triac

 NEW Bestselling				
SLD15-300IB(L)-Es SLD15-350IB(L)-Es SLD15-500IB(L)-Es SLD15-700IB(L)-Es 81	SLD12-150IL-Es SLD12-180IL-Es SLD12-240IL-Es SLD12-300IL-Es SLD12-350IL-Es SLD12-500IL-Es 82	SLD20-350IL-Es SLD20-500IL-Es SLD20-700IL-Es 83	SLD30-500IL-Es SLD30-600IL-Es SLD30-700IL-Es 84	SLD40-700IL-Es SLD40-800IL-Es SLD40-900IL-Es SLD40-1050IL-Es* 84

Linear Series DALI

	 COMING SOON
SLD60-800IBD-E 87	SLD80-350IBD-EU 88

* For Under development product , please take the official datasheet for reference.

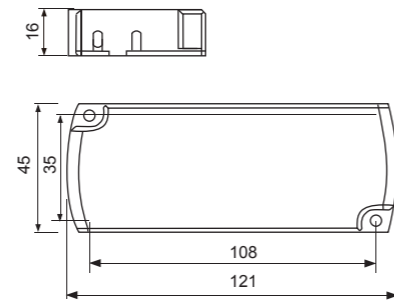
-  New product
-  IP Level
-  Coming Soon
-  Under development
-  Bestselling

FCV Basic Series

SLT15-12/24VF-2s



Dimensions: (mm)



- Independent power supply for constant voltage LED lamp
- Class II protection against electric shock from direct and indirect contact
- Start-up time $\leq 0.5s$
- No load power consumption $\leq 0.5W$
- Open circuit, short circuit, over load and over temperature protection
- Auto restart after removal of fault conditions
- ECO design, comply with ERP directives
- Warranty: 3 Years

Specifications

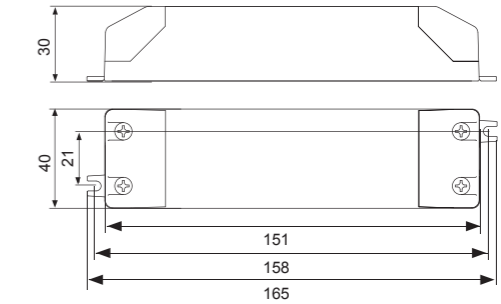
Model	Rated input	PF	Output	Output Power range	Tolerance	Efficiency	ta	tc	Size	Approval
SLT15-12VF-2s	AC220-240V	0.70C	12VDC	0-15W	+/-5%	83.0%	-20-45 C	80 C	121x45x16mm	CE Intertek CCC
SLT15-24VF-2s	AC220-240V	0.70C	24VDC	0-15W	+/-5%	84.7%	-20-45 C	75 C	121x45x16mm	CE Intertek CCC

FCV Basic Series

SLT20-12/24VLG-UN



Dimensions: (mm)



- Independent power supply for constant voltage LED lamp
- Class II protection against electric shock from direct and indirect contact
- Start-up time $\leq 0.5s$
- No load power consumption $\leq 0.5W$
- Open circuit, short circuit, over load and over temperature protection
- Auto restart after removal of fault conditions
- ECO design, comply with ERP directives
- Warranty: 3 Years

Specifications

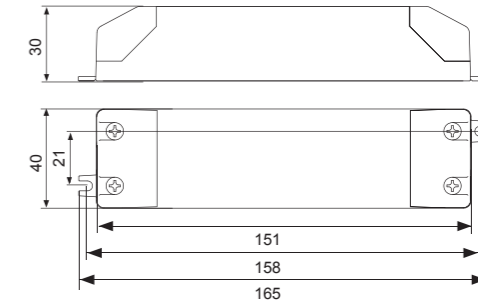
Model	Rated input	PF	Output	Output Power range	Tolerance	Efficiency	ta	tc	Size	Approval
SLT20-12VLG-UN	AC100-240V	0.80C	12VDC	0-20W	+/-5%	83.6%	-20-50 C	90 C	165x40x30mm	UL pending CE
SLT20-24VLG-UN	AC100-240V	0.80C	24VDC	0-20W	+/-5%	85.6%	-20-50 C	90 C	165x40x30mm	UL pending CE

FCV:Constant Voltage Fixed Output Classic Series

FCV Classic Series SLT30-12/24/48VLG-Es



Dimensions: (mm)



- Independent power supply for constant voltage LED lamp
- Class II protection against electric shock from direct and indirect contact
- Start-up time $\leq 0.5s$
- No load power consumption $\leq 0.5W$
- Open circuit, short circuit, over load and over temperature protection
- Auto restart after removal of fault conditions
- ECO design, comply with ERP directives
- Warranty : 5 Years

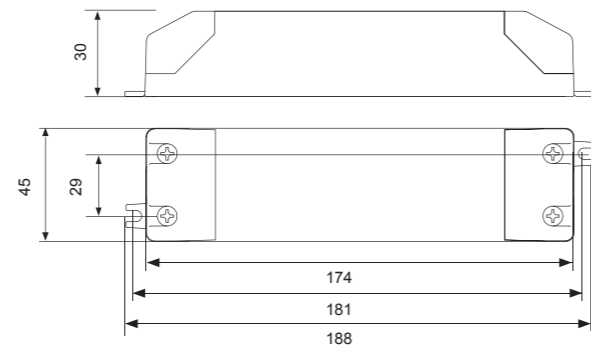
Specifications

Model	Rated input	PF	Output	Output Power range	Tolerance	Efficiency	ta	tc	Size	Approval
SLT30-12VLG-Es	AC220-240V	0.95	12VDC	0-30W	+/-5%	83.6%	-20-50 C	90 C	165x40x30mm	CE Intertek CCC
SLT30-24VLG-Es	AC220-240V	0.95	24VDC	0-30W	+/-5%	85.6%	-20-50 C	90 C	165x40x30mm	CE Intertek CCC
SLT30-48VLG-Es	AC220-240V	0.95	48VDC	0-30W	+/-5%	86.8%	-20-50 C	90 C	165x40x30mm	CE Intertek CCC

FCV Classic Series SLT60-12/24VLG-E



Dimensions: (mm)



- Independent power supply for constant voltage LED lamp
- Class II protection against electric shock from direct and indirect contact
- Start-up time $\leq 0.5s$
- No load power consumption $\leq 0.5W$
- Open circuit, short circuit, over load and over temperature protection
- Auto restart after removal of fault conditions
- ECO design, comply with ERP directives
- Warranty : 5 Years

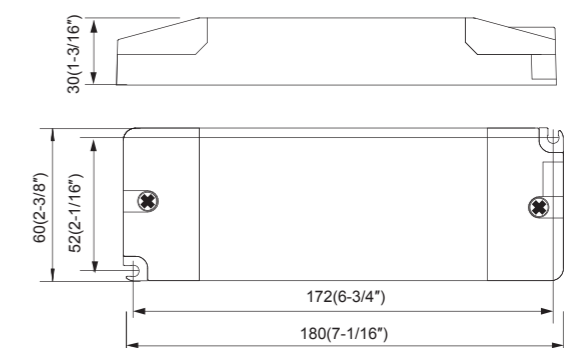
Specifications

Model	Rated input	PF	Output	Output Power range	Tolerance	Efficiency	ta	tc	Size	Approval
SLT60-12VLG-E	AC220-240V	0.95	12VDC	0-60W	+/-5%	87.8%	-20-45 C	90 C	188x45x30mm	CE Intertek CCC
SLT60-24VLG-E	AC220-240V	0.95	24VDC	0-60W	+/-5%	89.0%	-20-50 C	85 C	188x45x30mm	CE Intertek CCC

FCV Classic Series SLT75-24VL-2



Dimensions: (mm/inch)



- Independent power supply for constant voltage LED lamp
- Class II protection against electric shock from direct and indirect contact
- Start-up time $\leq 0.5s$
- No load power consumption $\leq 0.6W$
- Open circuit, short circuit, over load and over temperature protection
- Auto restart after removal of fault conditions
- Warranty : 5 Years

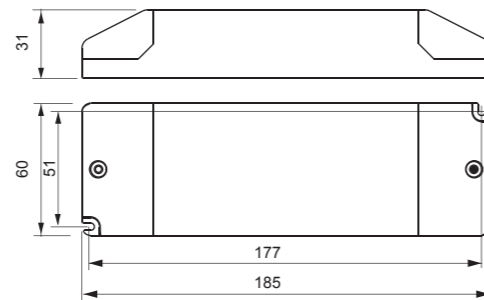
Specifications

Model	Rated input	PF	Output	Output Power range	Tolerance	Efficiency	ta	tc	Size	Approval
SLT75-24VL-2	AC100-240V	0.95	24VDC	0-75W	+/-5%	89.2%	-20-40 C @100V -20-50 C @120-240V	80 C	180x60x30mm (7-1/16"x2-3/8"x1-3/16")	CE Intertek CCC

FCV Classic Series SLT75-24VL-E



Dimensions: (mm)



- Independent power supply for constant voltage LED lamp
- Class II protection against electric shock from direct and indirect contact
- Start-up time $\leq 0.5s$
- No load power consumption $\leq 0.6W$
- Open circuit, short circuit, over load and over temperature protection
- Auto restart after removal of fault conditions
- Warranty : 5 Years

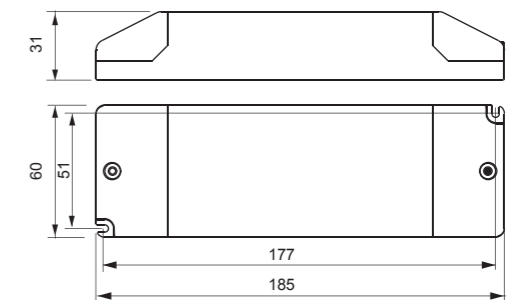
Specifications

Model	Rated input	PF	Output	Output Power range	Tolerance	Efficiency	ta	tc	Size	Approval
SLT75-24VL-E	AC220-240V	0.95	24VDC	0-75W	+/-5%	87.7%	-20-50 C	85 C	185x60x31mm	CE DVE CCC

FCV Classic Series SLT100-12/24VL-E



Dimensions: (mm)



- Independent power supply for constant voltage LED lamp
- Class II protection against electric shock from direct and indirect contact
- Start-up time $\leq 0.5s$
- No load power consumption $\leq 0.6W$
- Open circuit, short circuit, over load and over temperature protection
- Auto restart after removal of fault conditions
- Warranty : 5 Years

Specifications

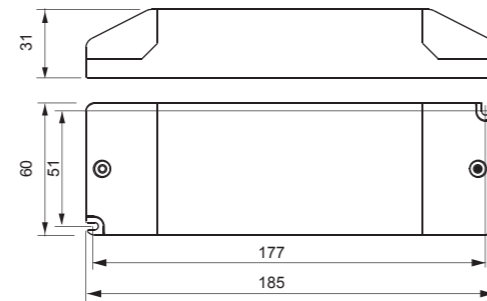
Model	Rated input	PF	Output	Output Power range	Tolerance	Efficiency	ta	tc	Size	Approval
SLT100-12VL-E	AC220-240V	0.95	12VDC	0-100W	+/-5%	88.5%	-20-40 C	80 C	185x60x31mm	CE CCC
SLT100-24VL-E	AC220-240V	0.95	24VDC	0-100W	+/-5%	91.7%	-20-40 C	80 C	185x60x31mm	CE DVE CCC

FCV Classic Series

SLT120-12/24VLG-E



Dimensions: (mm)



- Independent power supply for constant voltage LED lamp
- Class II protection against electric shock from direct and indirect contact
- Start-up time $\leq 0.5s$
- No load power consumption $\leq 0.5W$
- Open circuit, short circuit, over load and over temperature protection
- Auto restart after removal of fault conditions
- ECO design, comply with ERP directives
- Warranty : 5 Years

Specifications

Model	Rated input	PF	Output	Output Power range	Tolerance	Efficiency	ta	tc	Size	Approval
SLT120-12VLG-E*	AC220-240V	0.95	12VDC	0-120W	+/-5%	88.5%	-20-40 C	80 C	185x60x31mm	CE pending
SLT120-24VLG-E*	AC220-240V	0.95	24VDC	0-120W	+/-5%	90.0%	-20-40 C	80 C	185x60x31mm	CE pending

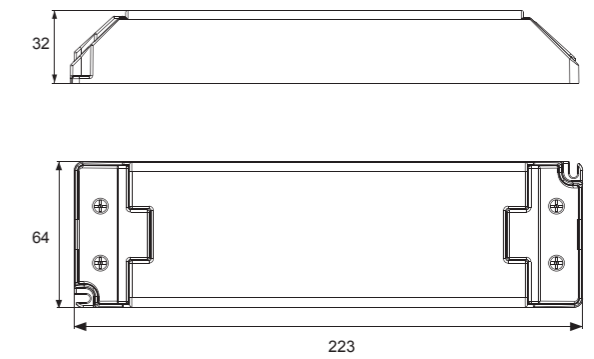
* For Under development product, please take the official datasheet for reference.

FCV Classic Series

SLT150-24VL-E



Dimensions: (mm)



- Independent power supply for constant voltage LED lamp
- Class II protection against electric shock from direct and indirect contact
- Start-up time $\leq 0.5s$
- No load power consumption $\leq 1W$
- Open circuit, short circuit, over load and over temperature protection
- Auto restart after removal of fault conditions
- Warranty : 5 Years

Specifications

Model	Rated input	PF	Output	Output Power range	Tolerance	Efficiency	ta	tc	Size	Approval
SLT150-24VL-E	AC220-240V	0.95	24VDC	0-150W	+/-5%	93.1%	-20-40 C	90 C	223x64x32mm	CE pending

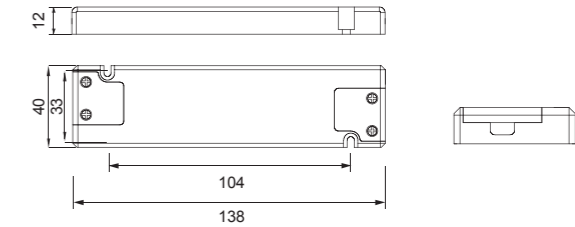
FCV:Constant Voltage Fixed Output Ultrathin Series

FCV Ultrathin Series SLT15-12/24VFG



Ultra thin 12mm
Thickness only

Dimensions: (mm)



- Independent power supply for constant voltage LED lamp
- Class II protection against electric shock from direct and indirect contact
- Start-up time $\leq 0.5s$
- No load power consumption $\leq 0.5W$
- Open circuit, short circuit, over load and over temperature protection
- Auto restart after removal of fault conditions
- ECO design, comply with ERP directives
- Warranty : 3 Years

Specifications

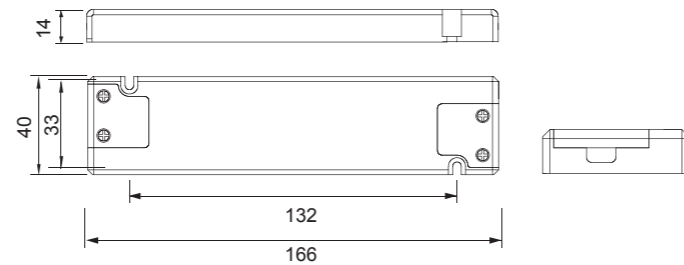
Model	Rated input	PF	Output	Output Power range	Tolerance	Efficiency	ta	tc	Size	Approval
SLT15-12VFG	AC220-240V	0.50C	12VDC	0-15W	+/-5%	81.5%	-20-50°C	85°C	138x40x12mm	CE Intertek
SLT15-24VFG	AC220-240V	0.50C	24VDC	0-15W	+/-5%	84.3%	-20-50°C	85°C	138x40x12mm	CE Intertek

FCV Ultrathin Series SLT20-12/24VFGs



Ultra thin 14mm
Thickness only

Dimensions: (mm)



- Independent power supply for constant voltage LED lamp
- Class II protection against electric shock from direct and indirect contact
- Start-up time $\leq 0.5s$
- No load power consumption $\leq 0.5W$
- Open circuit, short circuit, over load and over temperature protection
- Auto restart after removal of fault conditions
- ECO design, comply with ERP directives
- Warranty : 3 Years

Specifications

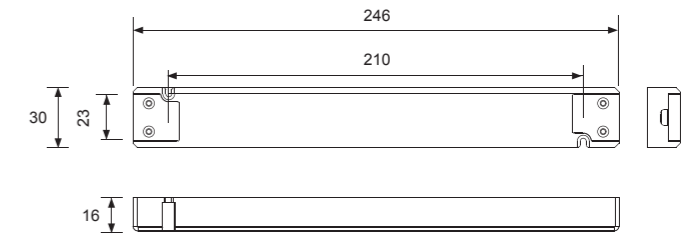
Model	Rated input	PF	Output	Output Power range	Tolerance	Efficiency	ta	tc	Size	Approval
SLT20-12VFGs	AC220-240V	0.80C	12VDC	0-20W	+/-5%	84.1%	-20-50 C	75 C	166x40x14mm	CE Intertek
SLT20-24VFGs	AC220-240V	0.80C	24VDC	0-20W	+/-5%	84.3%	-20-50 C	75 C	166x40x14mm	CE Intertek

FCV Ultrathin Series SLT30-12/24VFG



Ultra thin 16mm
Thickness only

Dimensions: (mm)



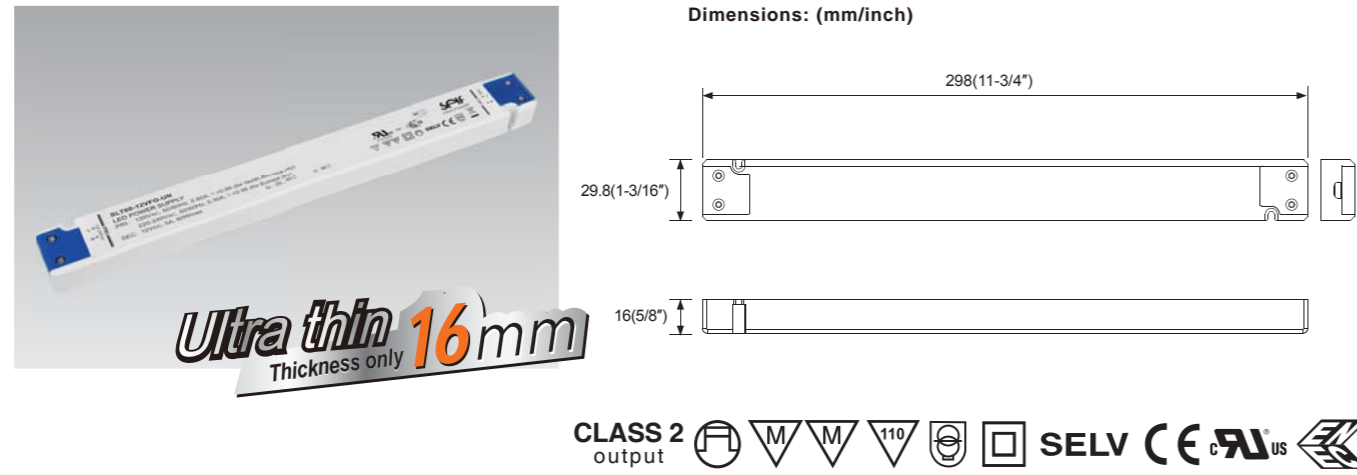
- Independent power supply for constant voltage LED lamp
- Class II protection against electric shock from direct and indirect contact
- Start-up time $\leq 0.5s$
- No load power consumption $\leq 0.5W$
- Open circuit, short circuit, over load and over temperature protection
- Auto restart after removal of fault conditions
- ECO design, comply with ERP directives
- Warranty : 5 Years

Specifications

Model	Rated input	PF	Output	Output Power range	Tolerance	Efficiency	ta	tc	Size	Approval
SLT30-12VFG	AC220-240V	0.95	12VDC	0-30W	+/-5%	83.5%	-20-50 C	85 C	246x30x16mm	CE Intertek
SLT30-24VFG	AC220-240V	0.95	24VDC	0-30W	+/-5%	84.5%	-20-50 C	85 C	246x30x16mm	CE Intertek

FCV Ultrathin Series

SLT60-12/24/48VFG-UN



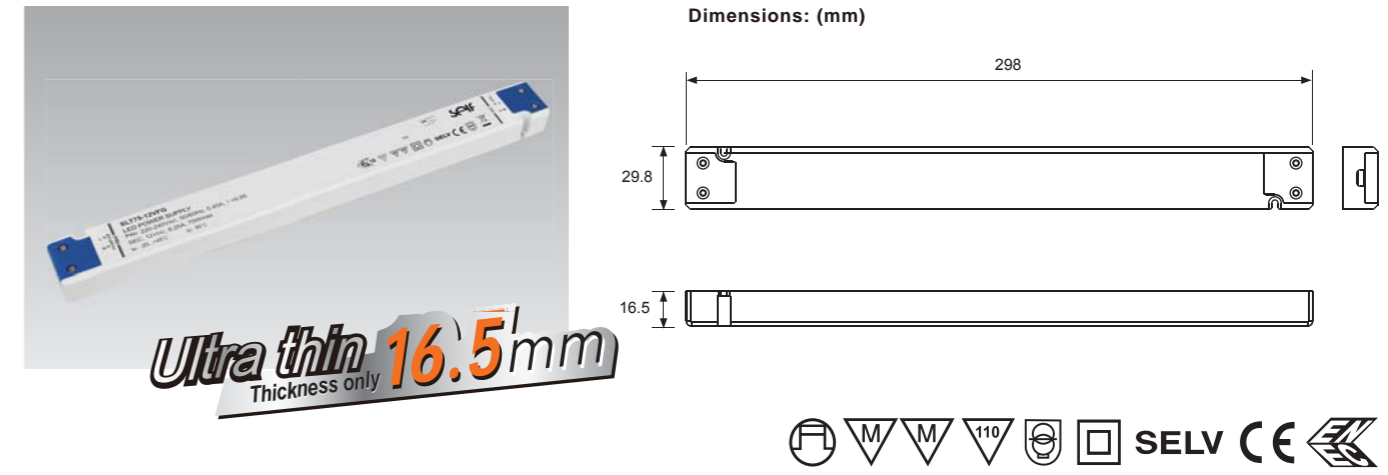
- Independent power supply for constant voltage LED lamp
- Class II protection against electric shock from direct and indirect contact
- Start-up time $\leq 0.5s$
- No load power consumption $\leq 0.5W$
- Open circuit, short circuit, over load and over temperature protection
- Auto restart after removal of fault conditions
- ECO design, comply with ERP directives
- Warranty : 5 Years

Specifications

Model	Rated input	PF	Output	Output Power range	Tolerance	Efficiency	ta	tc	Size	Approval
SLT60-12VFG-UN	AC120-240V	0.95	12VDC	0-60W	+/-5%	91.1%	-20-45 C	90 C	298x29.8x16mm (11-3/4"x1-3/16"x5/8")	CE, SELV, UL US
SLT60-24VFG-UN	AC120-240V	0.95	24VDC	0-60W	+/-5%	91.6%	-20-45 C	90 C	298x29.8x16mm (11-3/4"x1-3/16"x5/8")	CE, SELV, UL US
SLT60-48VFG-UN	AC120-240V	0.95	48VDC	0-60W	+/-3%	91.0%	-20-45 C	90 C	298x29.8x16mm (11-3/4"x1-3/16"x5/8")	CE, SELV, UL US

FCV Ultrathin Series

SLT75-12/24VFG



- Independent power supply for constant voltage LED lamp
- Class II protection against electric shock from direct and indirect contact
- Start-up time $\leq 0.5s$
- No load power consumption $\leq 0.5W$
- Open circuit, short circuit, over load and over temperature protection
- Auto restart after removal of fault conditions
- ECO design, comply with ERP directives
- Warranty : 5 Years

Specifications

Model	Rated input	PF	Output	Output Power range	Tolerance	Efficiency	ta	tc	Size	Approval
SLT75-12VFG	AC220-240V	0.95	12VDC	0-75W	+/-5%	91.5%	-20-45 C	90 C	298x29.8x16.5mm	CE, UL US
SLT75-24VFG	AC220-240V	0.95	24VDC	0-75W	+/-5%	91.6%	-20-50 C	90 C	298x29.8x16.5mm	CE, UL US

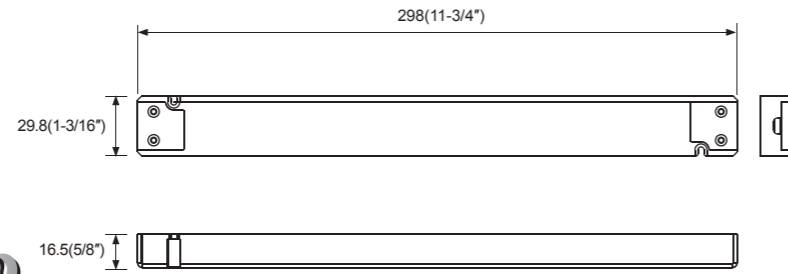
FCV Ultrathin Series

SLT100-12VFG

SLT100-24/48VFG-UN



Dimensions: (mm/inch)



- Independent power supply for constant voltage LED lamp
- Class II protection against electric shock from direct and indirect contact
- Start-up time $\leq 0.5s$
- No load power consumption $\leq 0.5W$
- Open circuit, short circuit, over load and over temperature protection
- Auto restart after removal of fault conditions
- ECO design, comply with ERP directives
- Warranty : 5 Years

Specifications

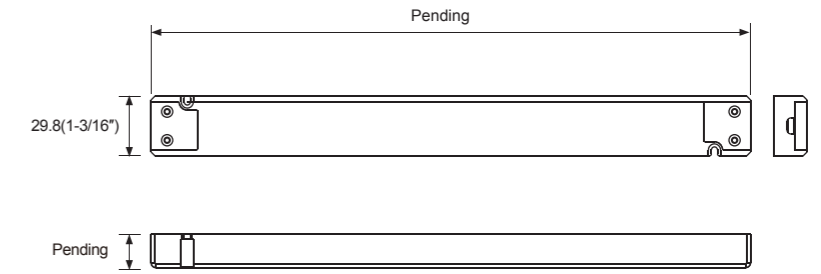
Model	Rated input	PF	Output	Output Power range	Tolerance	Efficiency	ta	tc	Size	Approval
SLT100-12VFG	AC220-240V	0.95	12VDC	0-96W	+/-5%	92.0%	-20-45 °C	90 °C	298×29.8×16.5mm (11-3/4"×1-3/16"×5/8")	CE
SLT100-24VFG-UN	AC120-240V	0.95	24VDC	0-100W@240V 0-80W@120V	+/-5%	92.3%	-20-45 °C	90 °C	298×29.8×16mm (11-3/4"×1-3/16"×5/8")	CE, SELV, UL
SLT100-48VFG-UN	AC120-240V	0.95	48VDC	0-100W@240V 0-80W@120V	+/-3%	92.3%	-20-45 °C	90 °C	298×29.8×16mm (11-3/4"×1-3/16"×5/8")	CE, SELV, UL

FCV Ultrathin Series

SLT150-12/24VFG



Dimensions: (mm/inch)



- Independent power supply for constant voltage LED lamp
- Class II protection against electric shock from direct and indirect contact
- Start-up time $\leq 0.5s$
- No load power consumption $\leq 0.5W$
- Open circuit, short circuit, over load and over temperature protection
- Auto restart after removal of fault conditions
- ECO design, comply with ERP directives
- Warranty : 5 Years

Specifications

Model	Rated input	PF	Output	Output Power range	Tolerance	Efficiency	ta	tc	Size	Approval
SLT150-12VFG*	AC220-240V	0.95	12VDC	0-150W	+/-5%	91.5%	-20-45 °C	90 °C	Pending×29.8×Pending (Pending×1-3/16"×Pending)	CE pending
SLT150-24VFG*	AC220-240V	0.95	24VDC	0-150W	+/-5%	91.6%	-20-45 °C	90 °C	Pending×29.8×Pending (Pending×1-3/16"×Pending)	CE pending

* For Under development product , please take the official datasheet for reference.

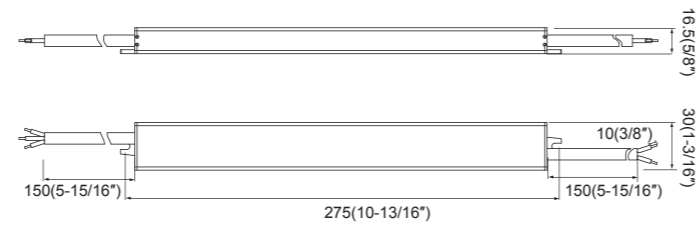
FCV:Constant voltage fixed output
Metal Series
Metal-Slim & Premium



FCV Metal Series Metal-Slim SLT30-12/24VFC-UN



Dimensions: (mm/inch)



- Independent power supply for constant voltage LED lamp
- Super slim with thickness only 16.5mm
- Metal case with Class I protection
- Start-up time $\leq 0.5s$
- No load power consumption $\leq 0.5W$
- IP66/IP67 water-proof design
- Open circuit, short circuit, over load and over temperature protection
- Auto restart after fault conditions removal
- ECO design, compliance with ERP directives
- Warranty : 5 Years
- Comply with EN60335, can be used inside the refrigerator or freezer

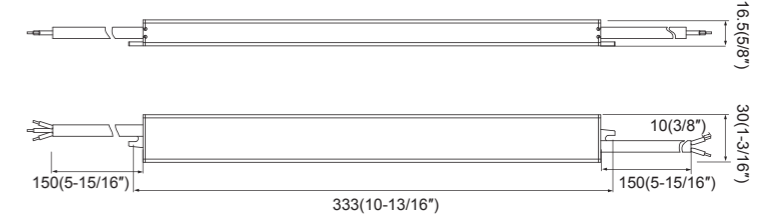
Specifications

Model	Rated input	PF	Output	Output Power range	Tolerance	Efficiency	ta	tc	Size	Approval
SLT30-12VFC-UN	AC120-240V	0.95	12VDC	0-30W	+/-5%	83.5%	-20-50 C	75 C	275x30x16.5mm (10-13/16"x1-3/16"x5/8")	UL US pending CE
SLT30-24VFC-UN	AC120-240V	0.95	24VDC	0-30W	+/-5%	84.5%	-20-50 C	75 C	275x30x16.5mm (10-13/16"x1-3/16"x5/8")	UL US pending CE

FCV Metal Series Metal-Slim SLT75-12/24VFC-UN



Dimensions: (mm/inch)



- Independent power supply for constant voltage LED lamp
- Super slim with thickness only 16.5mm
- Metal case with Class I protection
- Start-up time $\leq 0.5s$
- No load power consumption $\leq 0.5W$
- IP66/IP67 water-proof design
- Open circuit, short circuit, over load and over temperature protection
- Auto restart after fault conditions removal
- ECO design, compliance with ERP directives
- Warranty : 5 Years
- Comply with EN60335, can be used inside the refrigerator or freezer

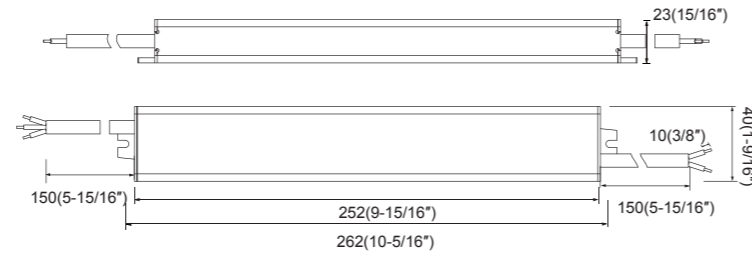
Specifications

Model	Rated input	PF	Output	Output Power range	Tolerance	Efficiency	ta	tc	Size	Approval
SLT75-12VFC-UN	AC120-240V	0.95	12VDC	0-60W@120Vac 0-75W@220-240Vac	+/-5%	90.7%	-20-50 C	75 C	333x30x16.5mm (13-1/8"x1-3/16"x5/8")	UL US pending CE
SLT75-24VFC-UN	AC120-240V	0.95	24VDC	0-75W	+/-5%	91.2%	-20-50 C	75 C	333x30x16.5mm (13-1/8"x1-3/16"x5/8")	UL US pending CE

FCV Metal Series Metal-Premium SLT96-12/24VLC-UN



Dimensions: (mm/inch)



CLASS 2 output (only for SLT96-24VLC-UN) (only for SLT96-24VLC-UN)

- Independent power supply for constant voltage LED lamp
- Metal case with Class I protection
- Start-up time ≤0.5s
- No load power consumption ≤0.5W
- IP67 water-proof design
- Open circuit, short circuit, over load and over temperature protection
- Auto restart after fault conditions removal
- ECO design, compliance with ERP directives
- Warranty : 5 Years
- Comply with EN60335, can be used inside the refrigerator or freezer

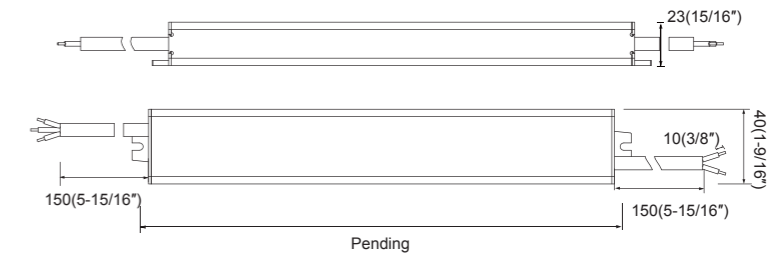
Specifications

Model	Rated input	PF	Output	Output Power range	Tolerance	Efficiency	ta	tc	Size	Approval
SLT96-12VLC-UN	AC100-277V	0.95	12VDC	0-96W	+/-5%	92.0%	-40-50 C @100-120V -40-60 C @220-277V	90 C	262×40×23mm (10-5/16"×1-9/16"×15/16")	CE
SLT96-24VLC-UN	AC100-277V	0.95	24VDC	0-96W	+/-5%	92.5%	-40-50 C @100-110V -40-60 C @120-277V	90 C @100-120V 85 C @220-277V	262×40×23mm (10-5/16"×1-9/16"×15/16")	CE

FCV Metal Series Metal-Premium SLT200-12/24VLC-UN



Dimensions: (mm/inch)



pending

- Independent power supply for constant voltage LED lamp
- Metal case with Class I protection
- Start-up time ≤0.5s
- No load power consumption ≤0.5W
- IP67 water-proof design
- Open circuit, short circuit, over load and over temperature protection
- Auto restart after fault conditions removal
- ECO design, compliance with ERP directives
- Warranty : 5 Years
- Comply with EN60335, can be used inside the refrigerator or freezer

Specifications

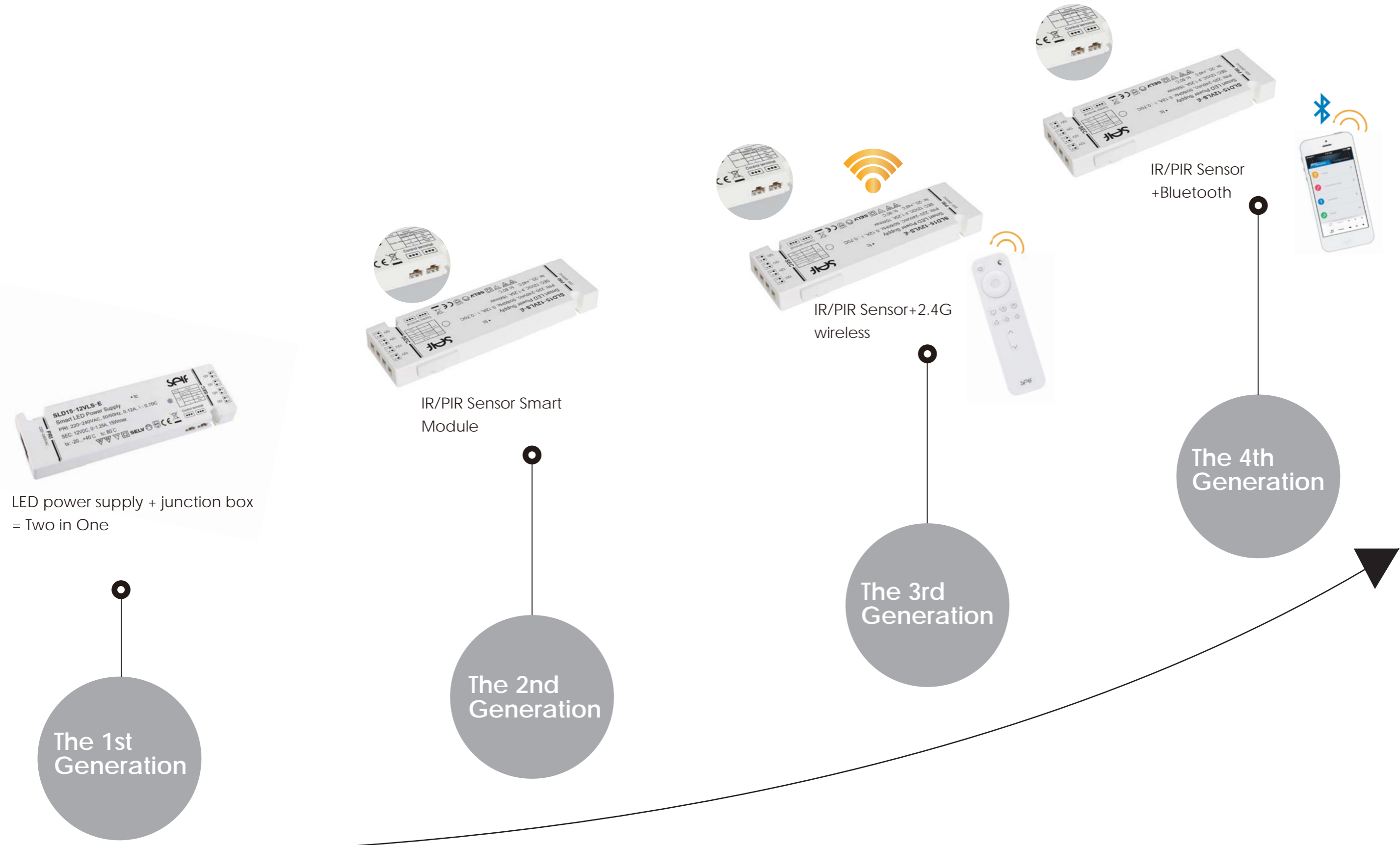
Model	Rated input	PF	Output	Output Power range	Tolerance	Efficiency	ta	tc	Size	Approval
SLT200-12VLC-UN*	AC120-277V	0.95	12VDC	0-200W	+/-5%	92.0%	-40-50 C	90 C	Pending×40×23mm (pending×1-9/16"×15/16")	CE pending
SLT200-24VLC-UN*	AC120-277V	0.95	24VDC	0-200W	+/-5%	92.5%	-40-50 C	90 C	Pending×40×23mm (pending×1-9/16"×15/16")	CE pending

* For Under development product, please take the official datasheet for reference.

DCV:Constant Voltage Dimming Smart Series



Roadmap of Smart Power Supply



LED power supply + junction box
= Two in One

IR/PIR Sensor Smart
Module

IR/PIR Sensor+2.4G
wireless

IR/PIR Sensor
+Bluetooth

The 1st
Generation

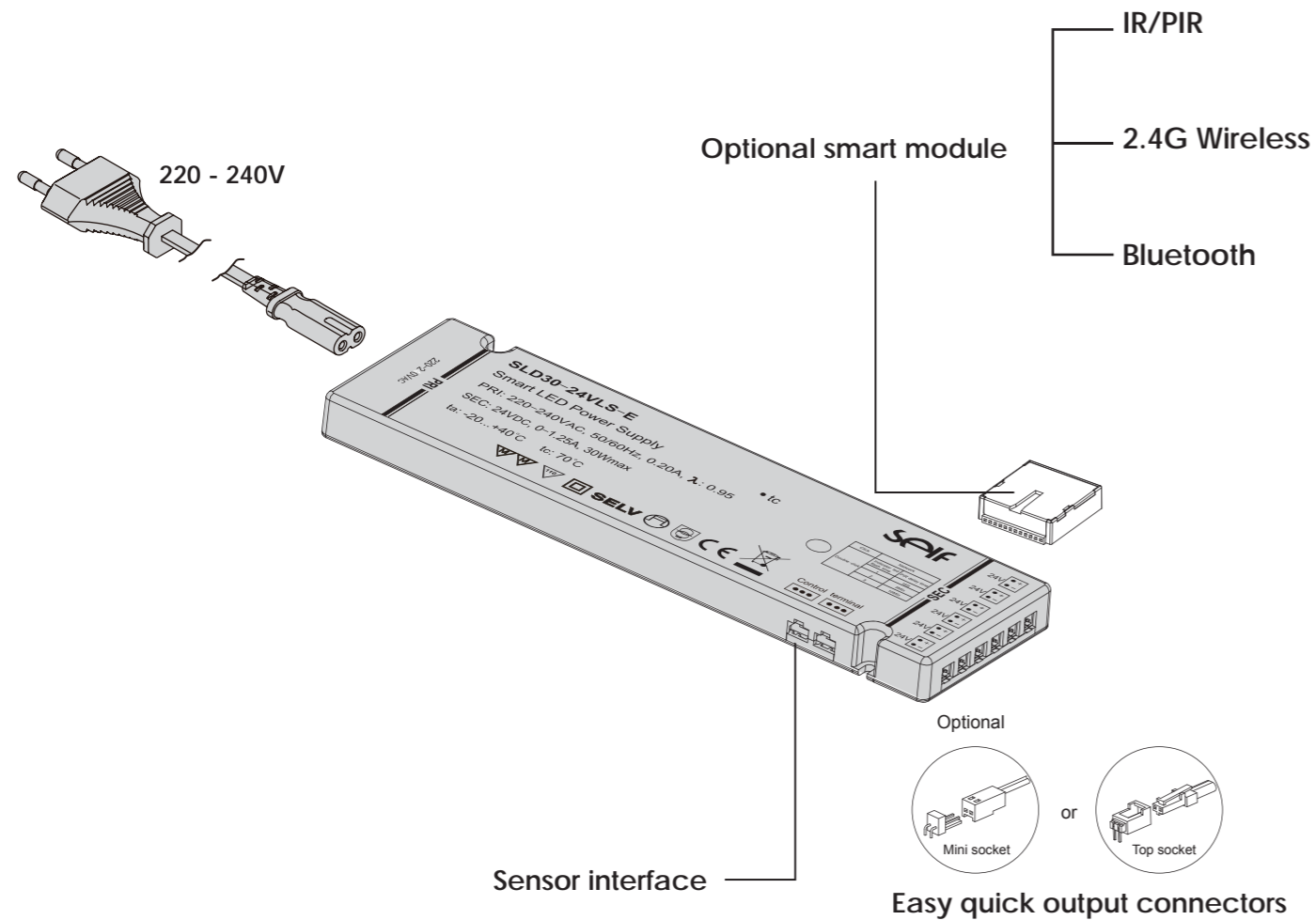
The 2nd
Generation

The 3rd
Generation

The 4th
Generation

DCV Smart Series

SLD15/30/60-12VLS-E/SLD15/30/60-12VLS-E1
SLD15/30/60-24VLS-E/SLD15/30/60-24VLS-E1

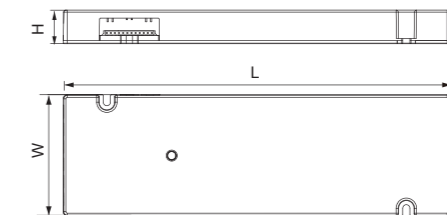


DCV Smart Series

SLD15/30/60-12VLS-E/SLD15/30/60-12VLS-E1
SLD15/30/60-24VLS-E/SLD15/30/60-24VLS-E1



Dimensions: (mm)



- Independent power supply for constant voltage LED lamp
- The output current of the power supply could be dimmed between 2%-100% by IR/PIR sensors, Remote Controller or APP.
- Class II protection against electric shock from direct and indirect contact
- Start-up time $\leq 0.5s$
- No load power consumption $\leq 0.5W$
- Open circuit, short circuit, over load and over temperature protection
- Auto restart after removal of fault conditions
- ECO design, comply with ERP directives
- Warranty : 3 Years

Easy quick output connectors

Single colour temperature
(2 pins)

Adjustable colour temperature
(3 pins)



SLD15-12VLS-E
SLD30-12VLS-E
SLD60-12VLS-E
SLD15-24VLS-E
SLD30-24VLS-E
SLD60-24VLS-E

SLD15-12VLS-E1
SLD30-12VLS-E1
SLD60-12VLS-E1
SLD15-24VLS-E1
SLD30-24VLS-E1
SLD60-24VLS-E1

Specifications

Model	Rated input	PF	Output	Output Power range	Tolerance	Efficiency	ta	tc	Size (LxWxH)	Approval
SLD15-12VLS-E SLD15-12VLS-E1	AC220-240V	0.70C	12VDC	0-15W	+/-5%	83.0%	-20-40 °C	80 °C	167x49x16mm	CE Intertek pending
SLD30-12VLS-E SLD30-12VLS-E1	AC220-240V	0.95	12VDC	0-30W	+/-5%	85.0%	-20-40 °C	75 °C	189x59x16mm	CE Intertek pending
SLD60-12VLS-E SLD60-12VLS-E1	AC220-240V	0.95	12VDC	0-60W	+/-5%	87.0%	-20-40 °C	75 °C	247x71x16mm	CE Intertek pending
SLD15-24VLS-E SLD15-24VLS-E1	AC220-240V	0.70C	24VDC	0-15W	+/-5%	83.0%	-20-40 °C	80 °C	167x49x16mm	CE Intertek pending
SLD30-24VLS-E SLD30-24VLS-E1	AC220-240V	0.95	24VDC	0-30W	+/-5%	87.0%	-20-40 °C	70 °C	189x59x16mm	CE Intertek pending
SLD60-24VLS-E SLD60-24VLS-E1	AC220-240V	0.95	24VDC	0-60W	+/-5%	89.0%	-20-40 °C	80 °C	247x71x16mm	CE Intertek Pending

DCV:Constant Voltage Dimming

Classic Series

High-Adaptability Triac

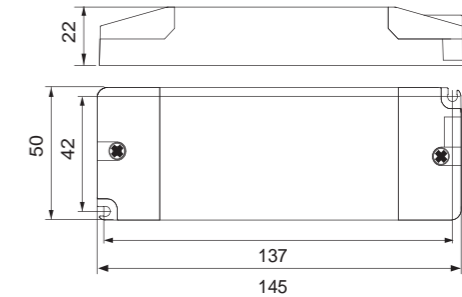
DCV Classic Series

High-Adaptability Triac

SLD30-12/24VL-E



Dimensions: (mm)



- Independent power supply for constant voltage LED lamp
- Class II protection against electric shock from direct and indirect contact
- Ripple free in all dimming range
- Open circuit, short circuit, over load and over temperature protection
- Auto restart after fault conditions removal
- The output current of the power supply could be dimmed between 5%-100% by trailing edge or leading edge dimmers.
- Warranty : 5 Years

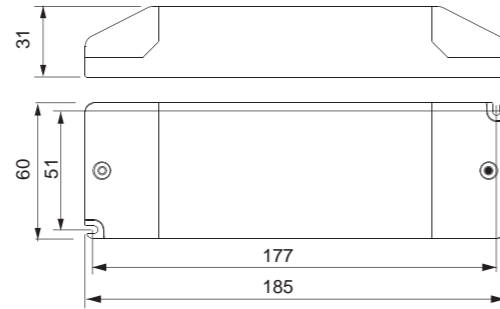
Specifications

Model	Rated input	PF	Output	Output Power range	Tolerance	Efficiency	t_a	t_c	Size	Approval
SLD30-12VL-E	AC220-240V	0.95	12VDC	5-30W	+/-5%	81.0%	-10-45°C	90°C	145x50x22mm	CE pending
SLD30-24VL-E	AC220-240V	0.95	24VDC	5-30W	+/-5%	83.0%	-10-45°C	85°C	145x50x22mm	CE pending

DCV Classic Series High-Adaptability Triac SLD75-12/24VL-E



Dimensions: (mm)



- Independent power supply for constant voltage LED lamp
- Class II protection against electric shock from direct and indirect contact
- Ripple free in all dimming range
- Open circuit, short circuit, over load and over temperature protection
- Auto restart after fault conditions removal
- The output current of the power supply could be dimmed between 5%-100% by trailing edge or leading edge dimmers.
- Warranty : 5 Years

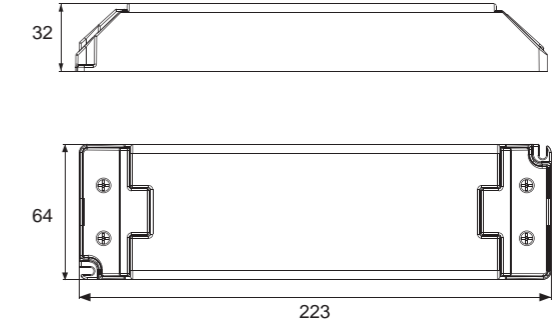
Specifications

Model	Rated input	PF	Output	Output Power range	Tolerance	Efficiency	ta	tc	Size	Approval
SLD75-12VL-E	AC220-240V	0.95	12VDC	12-75W	+/-5%	85.0%	-10-45 °C	85 °C	185x60x31mm	CE
SLD75-24VL-E	AC220-240V	0.95	24VDC	12-75W	+/-5%	86.5%	-10-45 °C	85 °C	185x60x31mm	CE

DCV Classic Series High-Adaptability Triac SLD120-24VL-E



Dimensions: (mm)

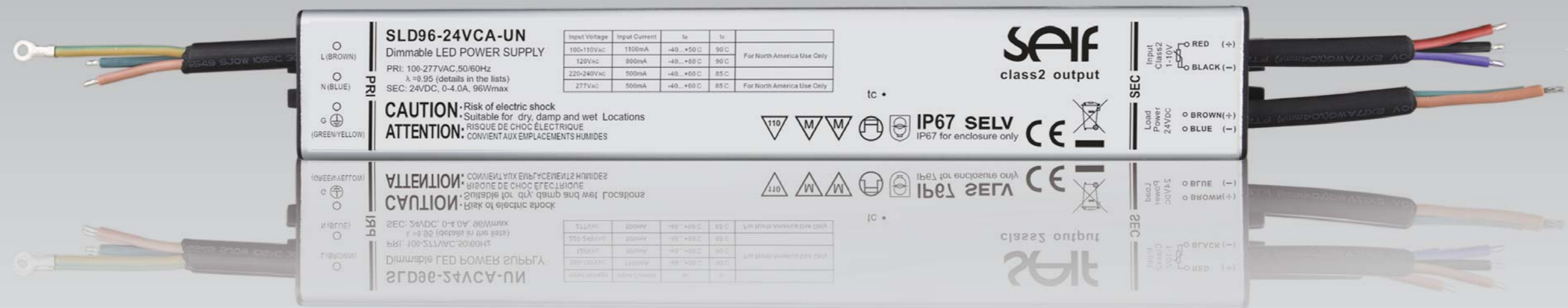


- Independent power supply for constant voltage LED lamp
- Class II protection against electric shock from direct and indirect contact
- Ripple free in all dimming range
- Open circuit, short circuit, over load and over temperature protection
- Auto restart after fault conditions removal
- The output current of the power supply could be dimmed between 5%-100% by trailing edge or leading edge dimmers.
- Warranty : 5 Years

Specifications

Model	Rated input	PF	Output	Output Power range	Tolerance	Efficiency	ta	tc	Size	Approval
SLD120-24VL-E	AC220-240V	0.95	24VDC	12-120W	+/-5%	90.0%	-10-45 °C	85 °C	223x64x32mm	CE pending

DCV:Constant Voltage Dimming Metal Series 3 in 1



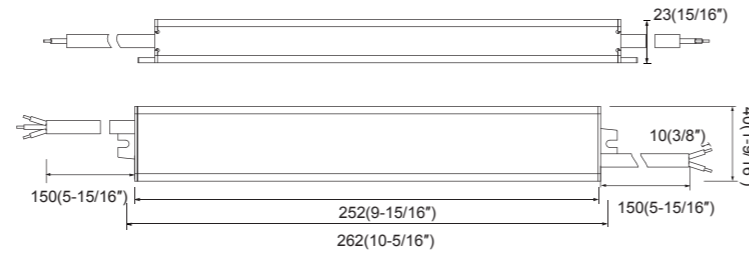
DCV Metal Series

3 in 1

SLD96-12/24VCA-UN



Dimensions: (mm/inch)



- Independent power supply for constant voltage LED lamp
- Metal case with Class I protection
- Start-up time ≤0.5s
- IP67 water-proof design
- Open circuit, short circuit, over load and over temperature protection
- Auto restart after fault conditions removal
- 5-100% dimming range by 1-10V,PWM signal or resistance
- Warranty : 5 Years
- Comply with EN60335,can be used inside the refrigerator or freezer

Specifications

Model	Rated input	PF	Output	Output Power range	Tolerance	Efficiency	ta	tc	Size	Approval
SLD96-12VCA-UN*	AC100-277V	0.95	12VDC	0-96W	+/-5%	91.5%	-40-50 C@100-120V -40-60 C@220-277V	90 C	262×40×23mm (10-5/16"×1-9/16"×15/16")	CE pending
SLD96-24VCA-UN*	AC100-277V	0.95	24VDC	0-96W	+/-5%	92.0%	-40-50 C@100-110V -40-60 C@120-277V	90 C@100-120V 85 C@220-277V	262×40×23mm (10-5/16"×1-9/16"×15/16")	CE pending

* For Under development product, please take the official datasheet for reference.

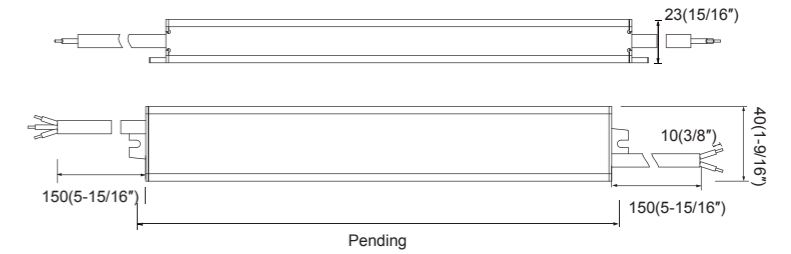
DCV Metal Series

3 in 1

SLD200-12/24VCA-UN



Dimensions: (mm/inch)



- Independent power supply for constant voltage LED lamp
- Metal case with Class I protection
- Start-up time ≤0.5s
- IP67 water-proof design
- Open circuit, short circuit, over load and over temperature protection
- Auto restart after fault conditions removal
- 5-100% dimming range by 1-10V,PWM signal or resistance
- Warranty : 5 Years
- Comply with EN60335,can be used inside the refrigerator or freezer

Specifications

Model	Rated input	PF	Output	Output Power range	Tolerance	Efficiency	ta	tc	Size	Approval
SLD200-12VCA-UN*	AC120-277V	0.95	12VDC	0-200W	+/-5%	92.0%	-20-50 C	90 C	Pending×40×23mm (Pending×1-9/16"×15/16")	CE pending
SLD200-24VCA-UN*	AC120-277V	0.95	24VDC	0-200W	+/-5%	92.5%	-20-50 C	90 C	Pending×40×23mm (Pending×1-9/16"×15/16")	CE pending

* For Under development product, please take the official datasheet for reference.

FCC:Constant Current Fixed Output Basic Series & Classic Series

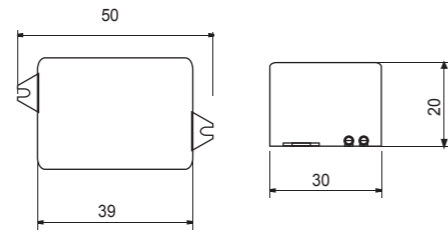


FCC Basic Series SLT3-350/700IS-1

FCC Basic Series SLT3-350/700ISC SLT4-500ISC



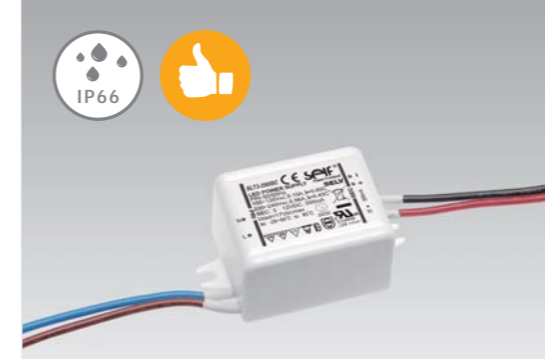
Dimensions: (mm)



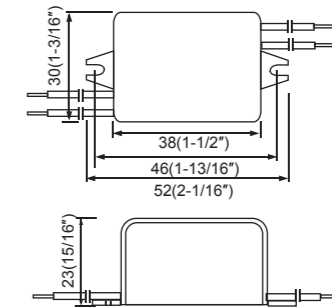
- Compact dimensions
- Built-in power supply for constant current LED lamp
- With output and input flying leads
- Ripple free
- Open circuit ,short circuit ,over load and over temperature protection
- Auto restart after fault conditions removal
- Warranty : 3 Years

Specifications

Model	Rated input	PF	Output	Output Power range	Output voltage range	Tolerance	Efficiency	ta	tc	Size	Approval
SLT3-350IS-1	AC220-240V	0.50C	350mA	1.0-3.2W	3-9V	+/-8%	72.0%	-20-50 °C	80 °C	50x30x20mm	CE Intertek
SLT3-700IS-1	AC220-240V	0.50C	700mA	1.4-2.9W	2-4.2V	+/-8%	67.0%	-20-45 °C	85 °C	50x30x20mm	CE Intertek



Dimensions: (mm/inch)



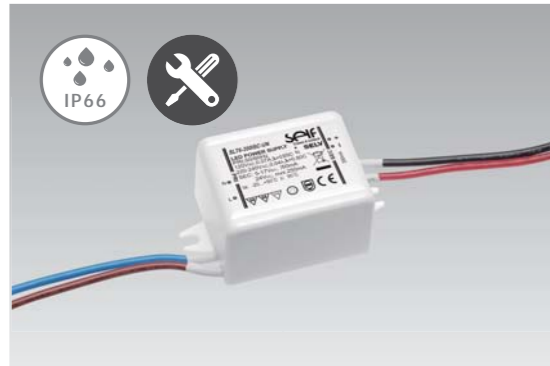
- Compact dimensions
- Built-in power supply for constant current LED lamp
- With output and input flying leads
- Ripple free
- IP66 water-proof design
- Open circuit ,short circuit ,over load and over temperature protection
- Auto restart after fault conditions removal
- Warranty : 3 Years

Specifications

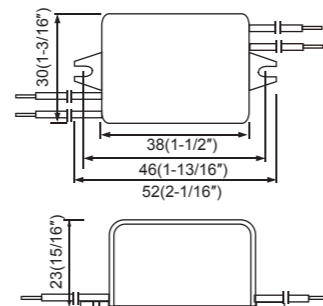
Model	Rated input	PF	Output	Output Power range	Output voltage range	Tolerance	Efficiency	ta	tc	Size	Approval
SLT3-350ISC	AC100-240V	0.60C@100-120V 0.45C@220-240V	350mA	1.1-4.2W	3-12V	+/-10%	66.0%	-20-50 °C	85 °C	52x30x23mm (2-1/16"x1-3/16"x15/16")	CE Intertek
SLT3-700ISC	AC100-240V	0.60C@100-120V 0.45C@220-240V	700mA	2.1-3.2W	3-4.5V	+/-10%	49.0%	-20-50 °C	85 °C	52x30x23mm (2-1/16"x1-3/16"x15/16")	CE Intertek
SLT4-500ISC	AC100-240V	0.60C@100-120V 0.45C@220-240V	500mA	1.5-4.75W	3-9.5V	+/-10%	63.0%	-20-50 °C	85 °C	52x30x23mm (2-1/16"x1-3/16"x15/16")	CE Intertek

FCC Basic Series

SLT6-350/500/700ISC-UN



Dimensions: (mm/inch)



- Compact dimensions
- Built-in power supply for constant current LED lamp
- With output and input flying leads
- Ripple free
- IP66 water-proof design
- Open circuit ,short circuit ,over load and over temperature protection
- Auto restart after fault conditions removal
- Warranty : 3 Years

Specifications

Model	Rated input	PF	Output	Output Power range	Output voltage range	Tolerance	Efficiency	ta	tc	Size	Approval
SLT6-350ISC-UN*	AC120-240V	0.85C	350mA	1.8-6W	5-17V	+/-5%	75.0%	-20-50 °C	90 °C	52x30x23mm (2-1/16"x1-3/16"x15/16")	UL pending CE
SLT6-500ISC-UN*	AC120-240V	0.85C	500mA	1.5-6W	3-12V	+/-5%	73.0%	-20-50 °C	90 °C	52x30x23mm (2-1/16"x1-3/16"x15/16")	UL pending CE
SLT6-700ISC-UN*	AC120-240V	0.85C	700mA	2.1-6.3W	3-9V	+/-5%	71.0%	-20-45 °C	90 °C	52x30x23mm (2-1/16"x1-3/16"x15/16")	UL pending CE

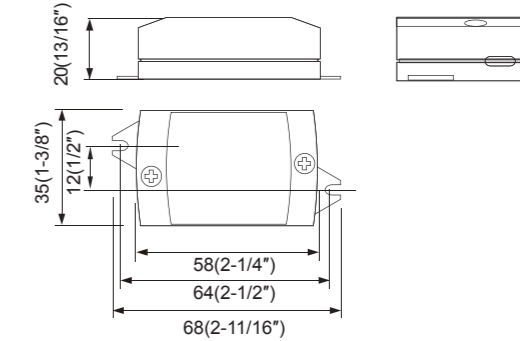
* For Under development product , please take the official datasheet for reference.

FCC Basic Series

SLT6-350/700ILs SLT6-350/500/700IL-4



Dimensions: (mm/inch)



- Compact dimensions
- Independent power supply with constant current and constant voltage function(350mA and 700mA model)
- Class II protection against electric shock from direct and indirect contact
- Ripple free
- Open circuit ,short circuit ,over load and over temperature protection
- Auto restart after fault conditions removal
- Warranty : 3 Years

Specifications

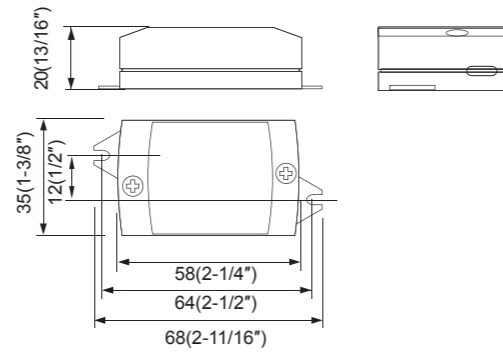
Model	Rated input	PF	Output	Output Power range	Output voltage range	Tolerance	Efficiency	ta	tc	Size	Approval
SLT6-350ILs	AC220-240V	0.55C	350mA	2.6-7.2W	7.5-21V	+/-8%	78.6%	-20-45 °C	80 °C	68x35x20mm (2-11/16"x1-3/8"x13/16")	CE UL Intertek
SLT6-700ILs	AC220-240V	0.55C	700mA	2.1-6.3W	3-9V	+/-8%	74.5%	-20-45 °C	80 °C	68x35x20mm (2-11/16"x1-3/8"x13/16")	CE UL Intertek
SLT6-350IL-4	AC100-240V	0.40C	350mA	1-7.7W	3-22V	+/-5%	76.5%	-20-50 °C	75 °C	68x35x20mm (2-11/16"x1-3/8"x13/16")	CE UL Intertek
SLT6-500IL-4	AC100-240V	0.40C	500mA	1.5-6W	3-12V	+/-5%	70.0%	-20-50 °C	75 °C	68x35x20mm (2-11/16"x1-3/8"x13/16")	CE UL Intertek
SLT6-700IL-4	AC100-240V	0.40C	700mA	2-5.9W	3-8.4V	+/-5%	70.0%	-20-40 °C	70 °C	68x35x20mm (2-11/16"x1-3/8"x13/16")	CE UL Intertek

FCC Basic Series

SLT10-250/350/450/500/700IL-UN



Dimensions: (mm/inch)



- Compact dimensions
- Independent power supply with constant current and constant voltage function(350mA and 700mA model)
- Class II protection against electric shock from direct and indirect contact
- Ripple free
- Start-up time ≤0.5s
- Open circuit ,short circuit ,over load and over temperature protection
- Auto restart after fault conditions removal
- Warranty : 3 Years

Specifications

Model	Rated input	PF	Output	Output Power range	Output voltage range	Tolerance	Efficiency	ta	tc	Size	Approval
SLT10-250IL-UN*	AC120-240V	0.85C	250mA	0.5W-10W	2-40V	+/-5%	77.0%	-20-50 °C	90 °C	68x35x20mm (2-11/16"x1-3/8"x13/16")	UL pending CE
SLT10-350IL-UN*	AC120-240V	0.85C	350mA	1-10W	2-29V	+/-5%	77.0%	-20-50 °C	90 °C	68x35x20mm (2-11/16"x1-3/8"x13/16")	UL pending CE
SLT10-450IL-UN*	AC120-240V	0.85C	450mA	1-10W	3-20V	+/-5%	77.0%	-20-45 °C	90 °C	68x35x20mm (2-11/16"x1-3/8"x13/16")	UL pending CE
SLT10-500IL-UN*	AC120-240V	0.85C	500mA	1.5-10W	3-20V	+/-5%	77.0%	-20-45 °C	90 °C	68x35x20mm (2-11/16"x1-3/8"x13/16")	UL pending CE
SLT10-700IL-UN*	AC120-240V	0.85C	700mA	2.1-10W	3-14V	+/-5%	77.0%	-20-45 °C	90 °C	68x35x20mm (2-11/16"x1-3/8"x13/16")	UL pending CE

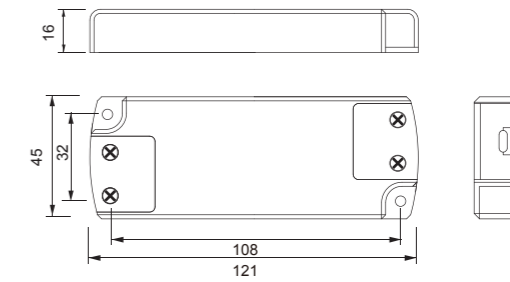
* For Under development product , please take the official datasheet for reference.

FCC Basic Series

SLT12-350/500/700IF-Es



Dimensions: (mm)



- Independent power supply for constant current LED lamp
- Class II protection against electric shock from direct and indirect contact
- Open circuit ,short circuit ,over load and over temperature protection
- Auto restart after fault conditions removal
- Warranty : 3 Years

Specifications

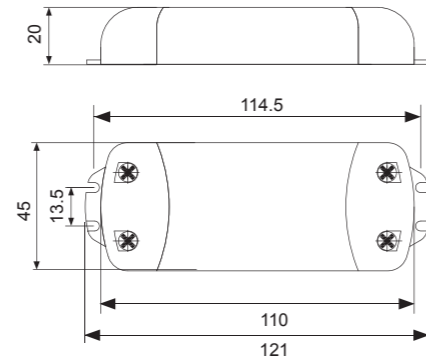
Model	Rated input	PF	Output	Output Power range	Output voltage range	Tolerance	Efficiency	ta	tc	Size	Approval
SLT12-350IF-Es	AC220-240V	0.70C	350mA	7.4-15.1W	21-43V	+/-5%	87.5%	-20-45 °C	85 °C	121x45x16mm	CE Intertek
SLT12-500IF-Es	AC220-240V	0.70C	500mA	7.5-15W	15-30V	+/-5%	86.7%	-20-45 °C	85 °C	121x45x16mm	CE Intertek
SLT12-700IF-Es	AC220-240V	0.70C	700mA	7-15.4W	10-22V	+/-5%	85.4%	-20-45 °C	85 °C	121x45x16mm	CE Intertek

FCC Classic Series

SLT25-350/500/700ILE-E



Dimensions: (mm)



- Independent power supply for constant current LED lamp
- Class II protection against electric shock from direct and indirect contact
- Open circuit ,short circuit ,over load and over temperature protection
- Auto restart after fault conditions removal
- Warranty :5 Years

Specifications

Model	Rated input	PF	Output	Output Power range	Output voltage range	Tolerance	Efficiency	ta	tc	Size	Approval
SLT25-350ILE-E	AC220-240V	0.90C	350mA	9.8-24.5W	28-70V	+/-5%	87.1%	-20-45 C	80 C	121x45x20mm	CE
SLT25-500ILE-E	AC220-240V	0.90C	500mA	9-25W	18-50V	+/-5%	88.4%	-20-45 C	80 C	121x45x20mm	CE
SLT25-700ILE-E	AC220-240V	0.90C	700mA	12.6-25.2W	18-36V	+/-5%	89.1%	-20-45 C	80 C	121x45x20mm	CE

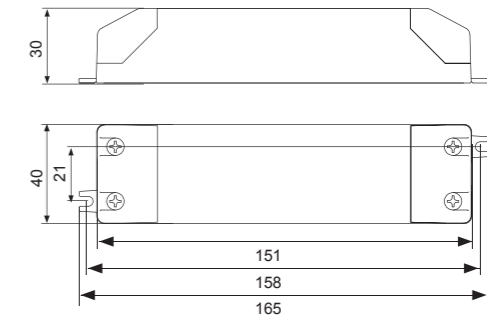
FCC Classic Series

SLT30-600/700ILE-E

SLT40-800/900/1050ILE-E



Dimensions: (mm)



- Independent power supply for constant current LED lamp
- Class II protection against electric shock from direct and indirect contact
- Open circuit ,short circuit ,over load and over temperature protection
- Auto restart after fault conditions removal
- Warranty :5 Years

Specifications

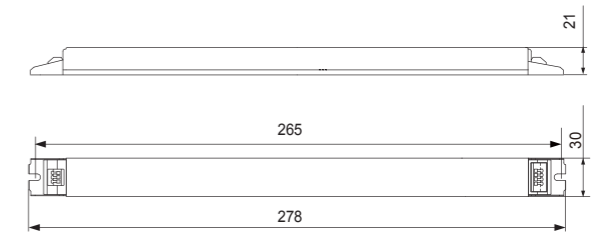
Model	Rated input	PF	Output	Output Power range	Output voltage range	Tolerance	Efficiency	ta	tc	Size	Approval
SLT30-600ILE-E	AC220-240V	0.95	600mA	16.2-27W	27-45V	+/-8%	87.6%	-20-50 C	75 C	165x40x30mm	CE
SLT30-700ILE-E	AC220-240V	0.95	700mA	18.9-30.1W	27-43V	+/-8%	89.0%	-20-50 C	75 C	165x40x30mm	CE
SLT40-800ILE-E	AC220-240V	0.95	800mA	21.6-36W	27-45V	+/-8%	88.0%	-20-50 C	85 C	165x40x30mm	CE
SLT40-900ILE-E	AC220-240V	0.95	900mA	24.3-39.6W	27-44V	+/-8%	88.5%	-20-50 C	85 C	165x40x30mm	CE
SLT40-1050ILE-E	AC220-240V	0.95	1050mA	28.35-44.1W	27-42V	+/-8%	88.0%	-20-50 C	85 C	165x40x30mm	CE

FCC:Constant Current Fixed Output Linear Series Dip-Switch

FCC Linear Series Dip-Switch SLT35-700IL-E



Dimensions: (mm)



- Built-in power supply for constant current LED lamp
- Class I protection against electric shock from direct and indirect contact
- Push in terminal block for quick connection
- Start-up time $\leq 0.5s$
- No load power consumption $\leq 0.5W$
- Open circuit, short circuit, over load and over temperature protection
- Auto restart after fault conditions removal
- Multi output current with Dipswitch
- ECO design, comply with ERP directives
- Warranty :5 Years

SLT35-700IL-E

DIP switch		Io(mA)	Po(W)	Iin(A)
1	2			
—	—	500	27.0	0.16
ON	—	600	32.5	0.18
—	ON	650	35.0	0.20
ON	ON	700	37.5	0.22

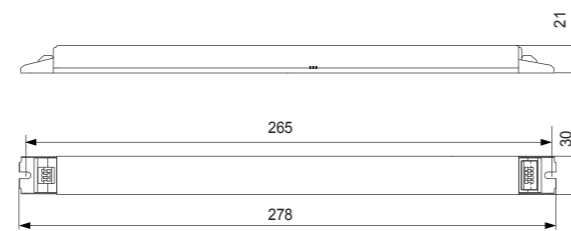
Specifications

Model	Rated input	PF	Output	Output Power range	Output voltage range	Tolerance	Efficiency	ta	tc	Size	Approval
SLT35-700IL-E	AC220-240V	0.90C	500mA	13.5-27W	27-54V	+/-8%	89.0%	-20-50 C	70 C	278x30x21mm	CE
	AC220-240V	0.90C	600mA	16.2-32.4W	27-54V	+/-8%	89.0%	-20-50 C	70 C	278x30x21mm	CE
	AC220-240V	0.90C	650mA	17.6-35.1W	27-54V	+/-8%	89.0%	-20-50 C	70 C	278x30x21mm	CE
	AC220-240V	0.90C	700mA	18.9-37.8W	27-54V	+/-8%	89.0%	-20-50 C	70 C	278x30x21mm	CE

FCC Linear Series Dip-Switch SLD35-700ILA-E



Dimensions: (mm)



- Built-in power supply for constant current LED lamp
- Class I protection against electric shock from direct and indirect contact
- Push in terminal block for quick connection
- Start-up time $\leq 0.5s$
- Open circuit ,short circuit ,over load and over temperature protection
- Auto restart after fault conditions removal
- Multi output current with Dipswitch
- 10-100% dimming range by 1-10V,PWM signal or resistance
- Warranty :5 Years

SLD35-700ILA-E

DIP switch

Iout select		I _o (mA)	P _o (W)	I _{in} (A)
1	2			
—	—	350	16.8	0.12
ON	—	500	24.0	0.15
—	ON	550	26.5	0.16
ON	ON	700	33.6	0.19

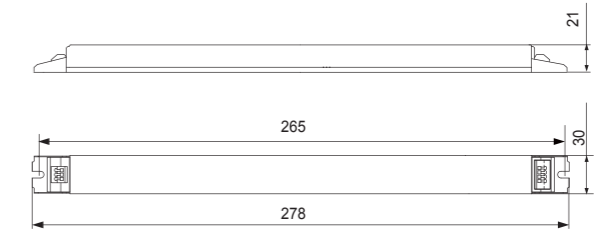
Specifications

Model	Rated input	PF	Output	Output Power range	Output voltage range	Tolerance	Efficiency	t _a	t _c	Size	Approval
SLD35-700ILA-E	AC220-240V	0.95	350mA	2.1-16.8W	6-48V	+/-6%	84.0%	-20-50 C	75 C	278x30x21mm	CE
	AC220-240V	0.95	500mA	3-24W	6-48V	+/-6%	86.0%	-20-50 C	75 C	278x30x21mm	CE
	AC220-240V	0.95	550mA	3.3-26.4W	6-48V	+/-6%	86.0%	-20-50 C	75 C	278x30x21mm	CE
	AC220-240V	0.95	700mA	4.2-33.6W	6-48V	+/-6%	85.0%	-20-50 C	75 C	278x30x21mm	CE

FCC Linear Series Dip-Switch SLT50-1050IL-E



Dimensions: (mm)



- Built-in power supply for constant current LED lamp
- Class I protection against electric shock from direct and indirect contact
- Push in terminal block for quick connection
- Start-up time $\leq 0.5s$
- Open circuit ,short circuit ,over load and over temperature protection
- Auto restart after fault conditions removal
- Multi output current with Dipswitch
- Warranty :5 Years

SLT50-1050IL-E

DIP switch

Iout select		I _o (mA)	P _o (W)	I _{in} (A)
1	2			
—	—	800	43.0	0.26
ON	—	900	48.5	0.29
—	ON	950	51.5	0.30
ON	ON	1050	56.5	0.32

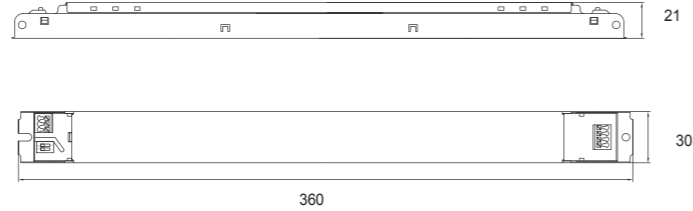
Specifications

Model	Rated input	PF	Output	Output Power range	Output voltage range	Tolerance	Efficiency	t _a	t _c	Size	Approval
SLT50-1050IL-E	AC220-240V	0.95	800mA	21.6-43.2W	27-54V	+/-8%	89.0%	-20-50 C	85 C	278x30x21mm	CE
	AC220-240V	0.95	900mA	24.3-48.6W	27-54V	+/-8%	89.0%	-20-50 C	85 C	278x30x21mm	CE
	AC220-240V	0.95	950mA	25.7-51.5W	27-54V	+/-8%	89.0%	-20-50 C	85 C	278x30x21mm	CE
	AC220-240V	0.95	1050mA	28.4-56.5W	27-54V	+/-8%	89.0%	-20-50 C	85 C	278x30x21mm	CE

FCC Linear Series Dip-Switch SLT80-1500IL-E



Dimensions: (mm)



- Built-in power supply for constant current LED lamp
- Class I protection against electric shock from direct and indirect contact
- Push in terminal block for quick connection
- Start-up time ≤0.5s
- Open circuit ,short circuit ,over load and over temperature protection
- Auto restart after fault conditions removal
- Multi output current with Dipswitch
- Warranty :5 Years

SLT80-1500IL-E

DIP switch

Iout select		I _o (mA)	P _o (W)	I _{in} (A)
1	2			
—	—	1200	65	0.39
—	ON	1300	70	0.42
ON	—	1400	74	0.45
ON	ON	1500	78	0.48

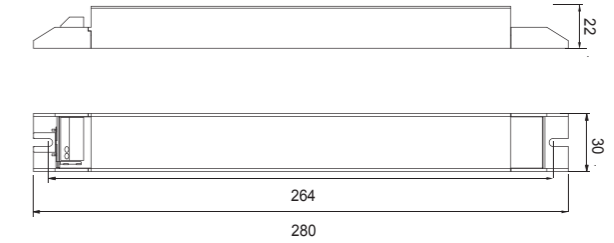
Specifications

Model	Rated input	PF	Output	Output Power range	Output voltage range	Tolerance	Efficiency	t _a	t _c	Size	Approval
SLT80-1500IL-E	AC220-240V	0.90C	1200mA	32.4-65W	27-54V	+/-8%	87.0%	-20-50 C	95 C	360×30×21mm	CE
	AC220-240V	0.90C	1300mA	35.1-70W	27-54V	+/-8%	87.0%	-20-50 C	95 C	360×30×21mm	CE
	AC220-240V	0.90C	1400mA	37.8-74W	27-54V	+/-8%	87.0%	-20-50 C	95 C	360×30×21mm	CE
	AC220-240V	0.90C	1500mA	40.5-78W	27-54V	+/-8%	87.0%	-20-50 C	95 C	360×30×21mm	CE

FCC Linear Series Non-Isolation SLT80-350IL-EU



Dimensions: (mm)



- Built-in power supply for constant current LED lamp
- Class I protection against electric shock from direct and indirect contact
- Push in terminal block for quick connection
- Non-isolated design has high performance cost ratio
- Ripple free
- Start-up time ≤0.5s
- Open circuit ,short circuit ,over load and over temperature protection
- Auto restart after fault conditions removal
- Multi output current with Dipswitch

SLT80-350IL-EU

DIP switch

Iout	Vomax	Pomax	1	2	3	4	Iout	Vomax	Pomax	1	2	3	4
200mA	270V	54W	—	—	—	—	280mA	270V	75.5W	ON	—	—	—
210mA	270V	56.5W	—	—	—	ON	280mA	270V	78W	ON	—	—	ON
220mA	270V	59W	—	—	ON	—	300mA	266V	80W	ON	—	ON	—
230mA	270V	62W	—	—	ON	ON	310mA	258V	80W	ON	—	ON	ON
240mA	270V	64.5W	—	ON	—	—	320mA	250V	80W	ON	ON	—	—
250mA	270V	67.5W	—	ON	—	ON	330mA	242V	80W	ON	ON	—	ON
260mA	270V	70W	—	ON	ON	—	340mA	235V	80W	ON	ON	ON	—
270mA	270V	72.5W	—	ON	ON	ON	350mA	228V	80W	ON	ON	ON	ON

Specifications

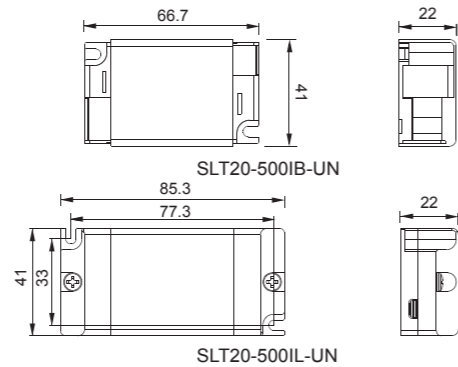
Model	Rated input	PF	Output	Output Power range	Output voltage range	Tolerance	Efficiency	t _a	t _c	Size	Approval
SLT80-350IL-EU	AC220-240V	0.90C	200mA	23-54W	115-270V	+/-5%	92.0%	-20-50 C	85 C	280x30x22mm	CE
	AC220-240V	0.90C	210mA	23.1-56.5W	110-270V	+/-5%	92.0%	-20-50 C	85 C	280x30x22mm	CE
	AC220-240V	0.90C	220mA	23.1-59W	110-270V	+/-5%	92.2%	-20-50 C	85 C	280x30x22mm	CE
	AC220-240V	0.90C	230mA	23.1-62W	110-270V	+/-5%	92.5%	-20-50 C	85 C	280x30x22mm	CE
	AC220-240V	0.90C	240mA	23.1-64.5W	110-270V	+/-5%	92.7%	-20-50 C	85 C	280x30x22mm	CE
	AC220-240V	0.90C	250mA	23.1-67.5W	110-270V	+/-5%	92.8%	-20-50 C	85 C	280x30x22mm	CE
	AC220-240V	0.90C	260mA	23.1-70W	110-270V	+/-5%	92.9%	-20-50 C	85 C	280x30x22mm	CE
	AC220-240V	0.90C	270mA	23.1-72.5W	110-270V	+/-5%	93.1%	-20-50 C	85 C	280x30x22mm	CE
	AC220-240V	0.90C	280mA	23.1-75.5W	110-270V	+/-5%	93.2%	-20-50 C	85 C	280x30x22mm	CE
	AC220-240V	0.90C	290mA	23.1-78W	110-270V	+/-5%	93.3%	-20-50 C	85 C	280x30x22mm	CE
	AC220-240V	0.90C	300mA	33-80W	110-266V	+/-5%	93.4%	-20-50 C	85 C	280x30x22mm	CE
	AC220-240V	0.90C	310mA	34.1-80W	110-258V	+/-5%	93.4%	-20-50 C	85 C	280x30x22mm	CE
	AC220-240V	0.90C	320mA	35.2-80W	110-250V	+/-5%	93.3%	-20-50 C	85 C	280x30x22mm	CE
	AC220-240V	0.90C	330mA	36.3-80W	110-242V	+/-5%	93.3%	-20-50 C	85 C	280x30x22mm	CE
	AC220-240V	0.90C	340mA	37.4-80W	110-235V	+/-5%	93.2%	-20-50 C	85 C	280x30x22mm	CE
	AC220-240V	0.90C	350mA	38.5-80W	110-228V	+/-5%	93.1%	-20-50 C	85 C	280x30x22mm	CE

FCC Compact Series Dip-Switch

SLT20-500IL-UN(for independent use)
SLT20-500IB-UN(for built-in use)



Dimensions: (mm)



- Multipower driver supplied with dip-switch for the selection of the output current.
- Class II protection against electric shock for direct or indirect contact
- Driver for built-in or independent use.
- It can be used for lighting equipment in protection class I and II
- Ripple free
- Start-up time ≤0.5S
- Open circuit, short circuit, over load and over temperature protection
- Auto restart after fault conditions removal
- Warranty :5 Years

SLT20-500IL-UN
SLT20-500IB-UN*

DIP switch

Pout	SEC	3	2	1
6W	150mA	-	-	-
8W	200mA	-	-	ON
10W	250mA	-	ON	-
12W	300mA	-	ON	ON
14W	350mA	ON	-	-
16W	400mA	ON	-	ON
18W	450mA	ON	ON	-
20W	500mA	ON	ON	ON

Specifications

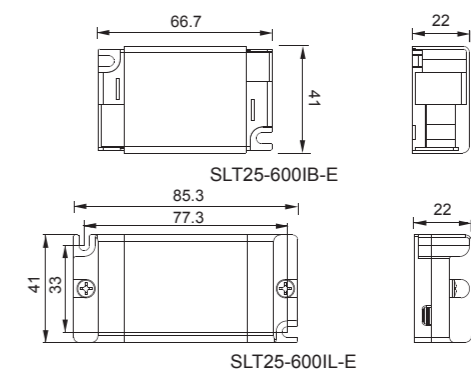
Model	Rated input	PF	Output	Output Power range	Output voltage range	Tolerance	Efficiency	ta	tc	Size	Approval
	AC110-277V	0.70C	150mA	0.75-6W	5-40V	+/-5%	85.0%	-25-50 °C	85 °C	66.7x41x22mm 85.3x41x22mm	pending CE CCC
	AC110-277V	0.70C	200mA	1-8W	5-40V	+/-5%	85.0%	-25-50 °C	85 °C	66.7x41x22mm 85.3x41x22mm	pending CE CCC
	AC110-277V	0.70C	250mA	1.25-10W	5-40V	+/-5%	85.0%	-25-50 °C	85 °C	66.7x41x22mm 85.3x41x22mm	pending CE CCC
SLT20-500IB-UN	AC110-277V	0.70C	300mA	1.5-12W	5-40V	+/-5%	85.0%	-25-50 °C	85 °C	66.7x41x22mm 85.3x41x22mm	pending CE CCC
SLT20-500IL-UN	AC110-277V	0.70C	350mA	1.75-14W	5-40V	+/-5%	85.0%	-25-50 °C	85 °C	66.7x41x22mm 85.3x41x22mm	pending CE CCC
	AC110-277V	0.90C	400mA	2-16W	5-40V	+/-5%	85.0%	-25-50 °C	85 °C	66.7x41x22mm 85.3x41x22mm	pending CE CCC
	AC110-277V	0.90C	450mA	2.25-18W	5-40V	+/-5%	85.0%	-25-50 °C	85 °C	66.7x41x22mm 85.3x41x22mm	pending CE CCC
	AC110-277V	0.90C	500mA	2.5-20W	5-40V	+/-5%	85.0%	-25-50 °C	85 °C	66.7x41x22mm 85.3x41x22mm	pending CE CCC

FCC Compact Series Dip-Switch

SLT25-600IL-E(for independent use)
SLT25-600IB-E(for built-in use)



Dimensions: (mm)



- Multipower driver supplied with dip-switch for the selection of the output current.
- Class II protection against electric shock for direct or indirect contact
- Driver for built-in or independent use.
- It can be used for lighting equipment in protection class II
- Start-up time ≤0.5S
- Open circuit, short circuit, over load and over temperature protection
- Auto restart after fault conditions removal
- Warranty :5 Years

SLT25-600IL-E
SLT25-600IB-E*

DIP switch

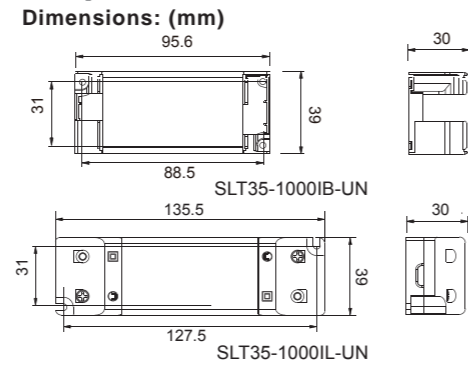
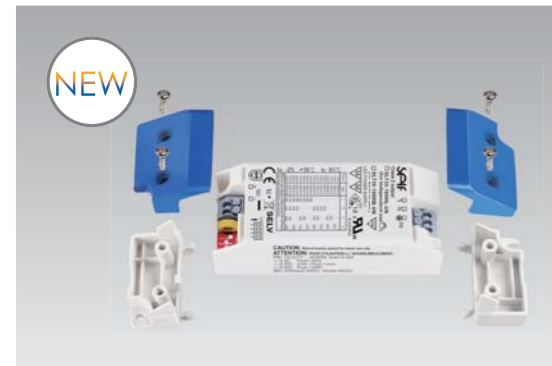
Pout	SEC	1	2	3
10.5W	250mA	-	-	-
12.6W	300mA	ON	-	-
14.7W	350mA	-	ON	-
16.8W	400mA	ON	ON	-
18.9W	450mA	-	-	ON
21.0W	500mA	ON	-	ON
23.1W	550mA	-	ON	ON
25.2W	600mA	ON	ON	ON

Specifications

Model	Rated input	PF	Output	Output Power range	Output voltage range	Tolerance	Efficiency	ta	tc	Size	Approval
	AC220-240V	0.80C	250mA	6.7-10.5W	27-42V	+/-7%	87.0%	-20-50 °C	90 °C	66.7x41x22mm 85.3x41x22mm	pending CE CCC
	AC220-240V	0.80C	300mA	8.1-12.3W	27-42V	+/-7%	87.0%	-20-50 °C	90 °C	66.7x41x22mm 85.3x41x22mm	pending CE CCC
	AC220-240V	0.80C	350mA	9.4-14.7W	27-42V	+/-7%	87.0%	-20-50 °C	90 °C	66.7x41x22mm 85.3x41x22mm	pending CE CCC
SLT25-600IB-E	AC220-240V	0.80C	400mA	10.8-16.8W	27-42V	+/-7%	87.0%	-20-50 °C	90 °C	66.7x41x22mm 85.3x41x22mm	pending CE CCC
SLT25-600IL-E	AC220-240V	0.80C	450mA	12.2-18.9W	27-42V	+/-7%	87.0%	-20-50 °C	90 °C	66.7x41x22mm 85.3x41x22mm	pending CE CCC
	AC220-240V	0.80C	500mA	13.5-21W	27-42V	+/-7%	87.0%	-20-50 °C	90 °C	66.7x41x22mm 85.3x41x22mm	pending CE CCC
	AC220-240V	0.90C	550mA	14.8-23.1W	27-42V	+/-7%	87.0%	-20-50 °C	90 °C	66.7x41x22mm 85.3x41x22mm	pending CE CCC
	AC220-240V	0.90C	600mA	16.2-25.2W	27-42V	+/-7%	87.0%	-20-50 °C	90 °C	66.7x41x22mm 85.3x41x22mm	pending CE CCC

FCC Compact Series Dip-Switch

SLT35-1000IL-UN(for independent use)
SLT35-1000IB-UN(for built-in use)



- Multipower driver supplied with dip-switch for the selection of the output current.
- Class II protection against electric shock for direct or indirect contact
- Push in terminal block for quick connection
- Driver for built-in or independent use.
- It can be used for lighting equipment in protection class I and II
- Ripple free
- Start-up time ≤0.5S
- Open circuit, short circuit, over load and over temperature protection
- Auto restart after fault conditions removal
- Warranty :5 Years

SLT35-1000IL-UN
SLT35-1000IB-UN*

DIP switch

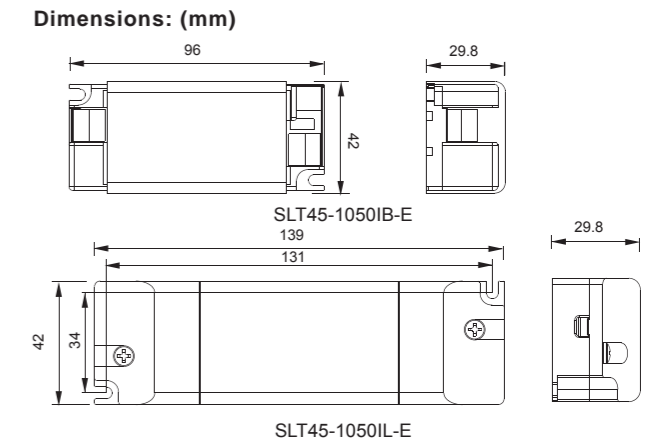
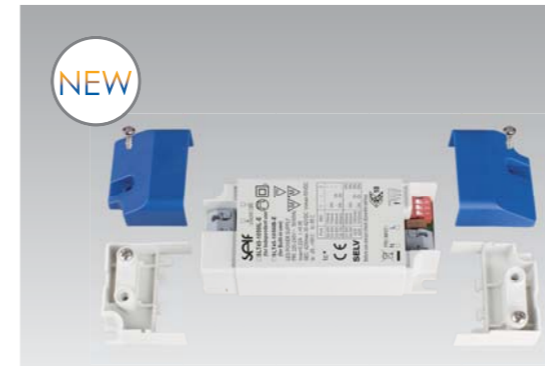
Pout	SEC	1	2	3	4
12W	250mA	-	-	-	-
15W	300mA	-	-	-	ON
17W	350mA	-	-	ON	-
20W	400mA	-	-	ON	ON
22W	450mA	-	ON	-	-
25W	500mA	-	ON	-	ON
27W	550mA	-	ON	ON	-
30W	600mA	-	ON	ON	ON
32W	650mA	ON	-	-	-
35W	700mA	ON	-	-	ON
35W	750mA	ON	-	ON	-
35W	800mA	ON	-	ON	ON
35W	850mA	ON	ON	-	-
35W	900mA	ON	ON	-	ON
35W	950mA	ON	ON	ON	-
35W	1000mA	ON	ON	ON	ON

Specifications

Model	Rated input	PF	Output	Output Power range	Output voltage range	Tolerance	Efficiency	ta	tc	Size	Approval
	AC110-277V	0.75C	250mA	0.5-12W	2-50V	+/-5%	84.7%	-25-50 C	90 C	95.6x39x30mm 135.5x39x30mm	pending CE
	AC110-277V	0.75C	300mA	0.6-15W	2-50V	+/-5%	86.2%	-25-50 C	90 C	95.6x39x30mm 135.5x39x30mm	pending CE
	AC110-277V	0.75C	350mA	0.7-17W	2-50V	+/-5%	87.0%	-25-50 C	90 C	95.6x39x30mm 135.5x39x30mm	pending CE
	AC110-277V	0.75C	400mA	0.8-20W	2-50V	+/-5%	87.4%	-25-50 C	90 C	95.6x39x30mm 135.5x39x30mm	pending CE
	AC110-277V	0.85C	450mA	0.9-22W	2-50V	+/-5%	87.9%	-25-50 C	90 C	95.6x39x30mm 135.5x39x30mm	pending CE
	AC110-277V	0.85C	500mA	1-25W	2-50V	+/-5%	88.2%	-25-50 C	90 C	95.6x39x30mm 135.5x39x30mm	pending CE
	AC110-277V	0.90C	550mA	1.1-27W	2-50V	+/-5%	88.3%	-25-50 C	90 C	95.6x39x30mm 135.5x39x30mm	pending CE
SLT35-1000IB-UN	AC110-277V	0.90C	600mA	1.2-30W	2-50V	+/-5%	88.8%	-25-50 C	90 C	95.6x39x30mm 135.5x39x30mm	pending CE
SLT35-1000IL-UN	AC110-277V	0.90C	650mA	1.3-32W	2-50V	+/-5%	88.9%	-25-50 C	90 C	95.6x39x30mm 135.5x39x30mm	pending CE
	AC110-277V	0.90C	700mA	1.4-35W	2-50V	+/-5%	88.8%	-25-50 C	90 C	95.6x39x30mm 135.5x39x30mm	pending CE
	AC110-277V	0.90C	750mA	1.5-35W	2-47V	+/-5%	88.6%	-25-50 C	90 C	95.6x39x30mm 135.5x39x30mm	pending CE
	AC110-277V	0.90C	800mA	1.6-35W	2-43V	+/-5%	88.3%	-25-50 C	90 C	95.6x39x30mm 135.5x39x30mm	pending CE
	AC110-277V	0.90C	850mA	1.7-35W	2-41V	+/-5%	88.1%	-25-50 C	90 C	95.6x39x30mm 135.5x39x30mm	pending CE
	AC110-277V	0.90C	900mA	1.8-35W	2-39V	+/-5%	87.9%	-25-50 C	90 C	95.6x39x30mm 135.5x39x30mm	pending CE
	AC110-277V	0.90C	950mA	1.9-35W	2-37V	+/-5%	87.6%	-25-50 C	90 C	95.6x39x30mm 135.5x39x30mm	pending CE
	AC110-277V	0.90C	1000mA	2-35W	2-35V	+/-5%	86.6%	-25-50 C	90 C	95.6x39x30mm 135.5x39x30mm	pending CE

FCC Compact Series Dip-Switch

SLT45-1050IL-E(for independent use)
SLT45-1050IB-E(for built-in use)



- Multipower driver supplied with dip-switch for the selection of the output current.
- Class II protection against electric shock for direct or indirect contact
- Push in terminal block for quick connection
- Driver for built-in or independent use.
- It can be used for lighting equipment in protection class II
- Ripple free
- Start-up time ≤0.5S
- Open circuit, short circuit, over load and over temperature protection
- Auto restart after fault conditions removal
- Warranty :5 Years

SLT45-1050IL-E
SLT45-1050IB-E*

DIP switch

Pout	SEC	1	2	3
29.4W	700mA	-	-	-
31.5W	750mA	ON	-	-
33.6W	800mA	-	ON	-
35.7W	850mA	ON	ON	-
37.8W	900mA	-	-	ON
39.9W	950mA	ON	-	ON
42W	1000mA	-	ON	ON
42W	1050mA	ON	ON	ON

Specifications

Model	Rated input	PF	Output	Output Power range	Output voltage range	Tolerance	Efficiency	ta	tc	Size	Approval
	AC220-240V	0.95	700mA	18.9-29.4W	27-42V	+/-5%	89.3%	-25-50 C	85 C	96x42x29.8mm 139x42x29.8mm	pending CE
	AC220-240V	0.95	750mA	20.3-31.5W	27-42V	+/-5%	89.4%	-25-50 C	85 C	96x42x29.8mm 139x42x29.8mm	pending CE
SLT45-1050IB-E	AC220-240V	0.95	800mA	21.6-33.6W	27-42V	+/-5%	89.4%	-25-50 C	85 C	96x42x29.8mm 139x42x29.8mm	pending CE
SLT45-1050IL-E	AC220-240V	0.95	850mA	22.9-35.7W	27-42V	+/-5%	89.4%	-25-50 C	85 C	96x42x29.8mm 139x42x29.8mm	pending CE
	AC220-240V	0.95	900mA	24.3-37.8W	27-42V	+/-5%	89.3%	-25-50 C	85 C	96x42x29.8mm 139x42x29.8mm	pending CE
	AC220-240V	0.95	950mA	25.6-39.9W	27-42V	+/-5%	89.3%	-25-50 C	85 C	96x42x29.8mm 139x42x29.8mm	pending CE
	AC220-240V	0.95	1000mA	27-42W	27-42V	+/-5%	89.3%	-25-50 C	85 C	96x42x29.8mm 139x42x29.8mm	pending CE
	AC220-240V	0.95	1050mA	28.3-42W	27-40V	+/-5%	88.7%	-25-50 C	85 C	96x42x29.8mm 139x42x29.8mm	pending CE

DCC: Constant Current Dimming Classic Series Triac



DCC Classic Series

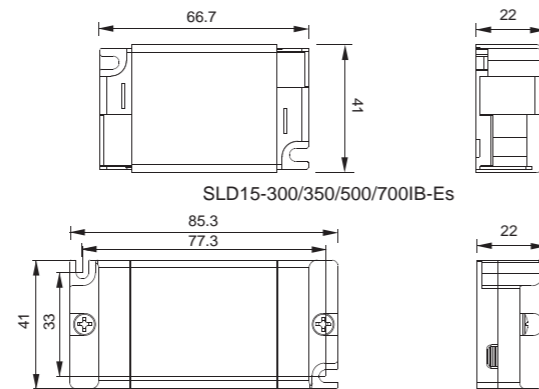
Triac

SLD15-300/350/500/700IL-Es(for independent use)

SLD15-300/350/500/700IB-Es(for built-in use)



Dimensions: (mm)



- Driver for built-in or independent use.
- Used for lighting equipment in protection class I and II
- The output current of the power supply could be dimmed between 10%-100% by trailing edge or leading edge dimmers
- Open circuit, short circuit, over load protection
- Auto restart after fault conditions removal
- Ripple free in all dimming range
- Warranty :5 Years

Specifications

Model	Rated input	PF	Output	Output Power range	Output voltage range	Tolerance	Efficiency	ta	tc	Size	Approval
SLD15-300IL-Es	AC220-240V	0.95	300mA	7.2-14.4W	24-48V	+/-5%	83.0%	-25-50	85 °C	85.3x41x22mm	CE pending
SLD15-350IL-Es	AC220-240V	0.95	350mA	8.4-14.7W	24-42V	+/-5%	83.5%	-25-50	85 °C	85.3x41x22mm	CE pending
SLD15-500IL-Es	AC220-240V	0.95	500mA	8.5-15W	17-30V	+/-5%	80.0%	-25-50	85 °C	85.3x41x22mm	CE pending
SLD15-700IL-Es	AC220-240V	0.95	700mA	6.3-15.4W	9-22V	+/-5%	80.0%	-25-50	85 °C	85.3x41x22mm	CE pending
SLD15-300IB-Es	AC220-240V	0.95	300mA	7.2-14.4W	24-48V	+/-5%	83.0%	-25-50	85 °C	66.7x41x22mm	CE pending
SLD15-350IB-Es	AC220-240V	0.95	350mA	8.4-14.7W	24-42V	+/-5%	83.5%	-25-50	85 °C	66.7x41x22mm	CE pending
SLD15-500IB-Es	AC220-240V	0.95	500mA	8.5-15W	17-30V	+/-5%	80.0%	-25-50	85 °C	66.7x41x22mm	CE pending
SLD15-700IB-Es	AC220-240V	0.95	700mA	6.3-15.4W	9-22V	+/-5%	80.0%	-25-50	85 °C	66.7x41x22mm	CE pending

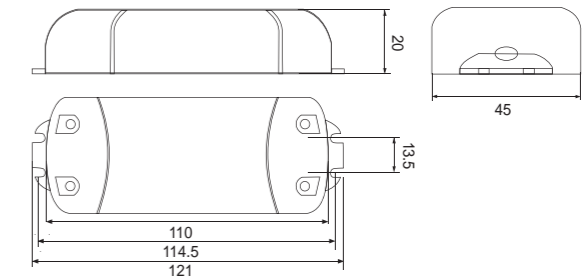
DCC Classic Series

Triac

SLD12-150/180/240/300/350/500IL-Es



Dimensions: (mm)



- Independent dimmable power supply for constant current LED lamp
- Class II protection against electric shock from direct and indirect contact
- The output current of the power supply could be dimmed between 10%-100% by trailing edge or leading edge dimmers
- Ripple free in all dimming range
- High compatible for different dimmers
- Open circuit, short circuit, over load and over temperature protection
- Auto restart after fault conditions removal
- Warranty :5 Years

Specifications

Model	Rated input	PF	Output	Output Power range	Output voltage range	Tolerance	Efficiency	ta	tc	Size	Approval
SLD12-150IL-Es	AC220-240V	0.90C	150mA	3.9-7.5W	26-50V	+/-10%	75.0%	-20-45 °C	70 °C	121x45x20mm	CE pending
SLD12-180IL-Es	AC220-240V	0.90C	180mA	4.68-9W	26-50V	+/-8%	78.0%	-20-45 °C	75 °C	121x45x20mm	CE pending
SLD12-240IL-Es	AC220-240V	0.90C	240mA	6.24-12W	26-50V	+/-5%	85.0%	-20-45 °C	75 °C	121x45x20mm	CE pending
SLD12-300IL-Es	AC220-240V	0.90C	300mA	9-11.4W	30-38V	+/-5%	84.6%	-20-40 °C	75 °C	121x45x20mm	CE pending
SLD12-350IL-Es	AC220-240V	0.90C	350mA	4.68-12W	23-36V	+/-5%	84.6%	-20-40 °C	75 °C	121x45x20mm	CE pending
SLD12-500IL-Es	AC220-240V	0.90C	500mA	7.5-12W	15-24V	+/-5%	78.0%	-20-40 °C	80 °C	121x45x20mm	CE pending

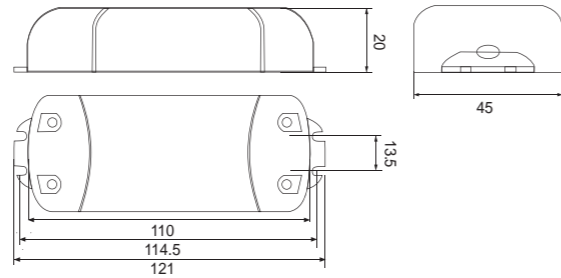
DCC Classic Series

Triac

SLD20-350/500/700IL-Es



Dimensions: (mm)



- Independent dimmable power supply for constant current LED lamp
- Class II protection against electric shock from direct and indirect contact
- The output current of the power supply could be dimmed between 10%-100% by trailing edge or leading edge dimmers
- Ripple free in all dimming range
- High compatible for different dimmers
- Open circuit, short circuit, over load and over temperature protection
- Auto restart after fault conditions removal
- Warranty :5 Years

Specifications

Model	Rated input	PF	Output	Output Power range	Output voltage range	Tolerance	Efficiency	ta	tc	Size	Approval
SLD20-350IL-Es	AC220-240V	0.95	350mA	10.5-18.9W	30-54V	+/-8%	81.8%	-20-40 °C	90 °C	121x45x20mm	CE
SLD20-500IL-Es	AC220-240V	0.95	500mA	10-20W	20-40V	+/-8%	80.8%	-20-40 °C	90 °C	121x45x20mm	CE
SLD20-700IL-Es	AC220-240V	0.95	700mA	10.5-20.3W	15-29V	+/-8%	78.5%	-20-40 °C	90 °C	121x45x20mm	CE

DCC Classic Series

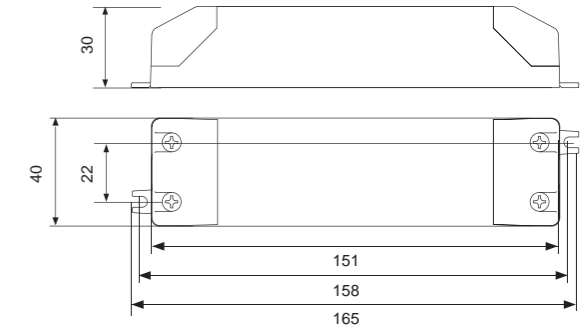
Triac

SLD30-500/600/700IL-Es

SLD40-700/800/900/1050IL-Es



Dimensions: (mm)



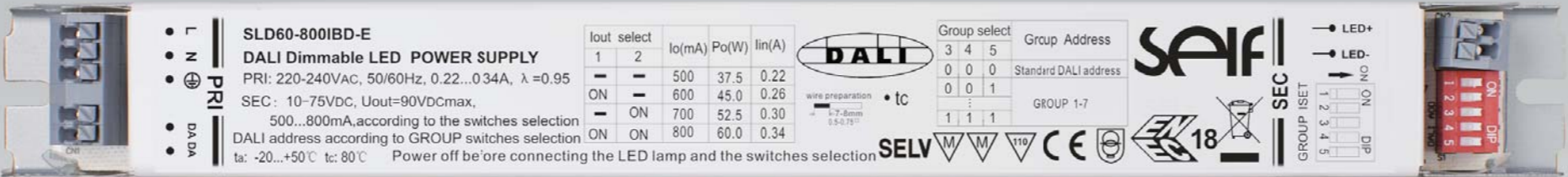
- Independent dimmable power supply for constant current LED lamp
- Class II protection against electric shock from direct and indirect contact
- The output current of the power supply could be dimmed between 10%-100% by trailing edge or leading edge dimmers
- Ripple free in all dimming range
- High compatible for different dimmers
- Open circuit, short circuit, over load and over temperature protection
- Auto restart after fault conditions removal
- Warranty :5 Years

Specifications

Model	Rated input	PF	Output	Output Power range	Output voltage range	Tolerance	Efficiency	ta	tc	Size	Approval
SLD30-500IL-Es	AC220-240V	0.90C	500mA	15-30W	30-60V	+/-5%	86.0%	-20-40 °C	75 °C	165x40x30mm	CE
SLD30-600IL-Es	AC220-240V	0.90C	600mA	15-30W	25-50V	+/-5%	86.0%	-20-40 °C	75 °C	165x40x30mm	CE
SLD30-700IL-Es	AC220-240V	0.90C	700mA	14.7-29.4W	21-42V	+/-5%	86.0%	-20-40 °C	75 °C	165x40x30mm	CE
SLD40-700IL-Es	AC220-240V	0.95	700mA	21-38.5W	30-55V	+/-5%	87.0%	-20-40 °C	75 °C	165x40x30mm	CE
SLD40-800IL-Es	AC220-240V	0.95	800mA	20-40W	25-50V	+/-5%	87.0%	-20-40 °C	75 °C	165x40x30mm	CE
SLD40-900IL-Es	AC220-240V	0.90C	900mA	19.8-39.6W	22-44V	+/-5%	86.0%	-20-40 °C	75 °C	165x40x30mm	CE
SLD40-1050IL-Es*	AC220-240V	0.90C	1050mA	20-39.9W	19-38V	+/-5%	85.0%	-20-40 °C	75 °C	165x40x30mm	CE pending

*For Under development product, please take the official datasheet for reference.

DCC: Constant Current Dimming Linear Series DALI



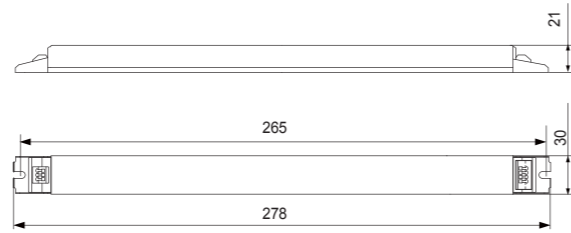
DCC Linear Series

DALI

SLD60-800IBD-E



Dimensions: (mm)



- Multipower driver supplied with dip-switch for the selection of the output current.
- Built-in power supply for constant current LED lamp
- Push in terminal block for quick connection
- Ripple free in all selectable current and in all dimming range
- Class I protection against electric shock from direct and indirect contact
- Start-up time $\leq 0.5s$
- No load power consumption $\leq 0.5W$
- Open circuit, short circuit, over load and over temperature protection
- Auto restart after fault conditions removal
- 5-100% dimming range by DALI or PUSH DIM(with memory function)
- Warranty :5 Years

SLD60-800IBD-E

DALI or PUSH Dimmable

Iout select		I _o (mA)	P _o (W)	I _{in} (A)
1	2			
—	—	500	37.5	0.22
ON	—	600	45.0	0.26
—	ON	700	52.5	0.30
ON	ON	800	60.0	0.34

Selectable groups by dipswitch

Group select			Group Address
3	4	5	
0	0	0	Standard DALI address
0	0	1	GROUP 1-7
⋮	⋮	⋮	
1	1	1	

Specifications

Model	Rated input	PF	Output	Output Power range	Output voltage range	Tolerance	Efficiency	t _a	t _c	Size	Approval
SLD60-800IBD-E	AC220-240V	0.95	500mA	5-37.5W	10-75V	+/-7%	88.4%	-20-50 C	80 C	278x30x21mm	CE pending
	AC220-240V	0.95	600mA	6-45W	10-75V	+/-7%	88.5%	-20-50 C	80 C	278x30x21mm	CE pending
	AC220-240V	0.95	700mA	7-52.5W	10-75V	+/-7%	88.3%	-20-50 C	80 C	278x30x21mm	CE pending
	AC220-240V	0.95	800mA	8-60W	10-75V	+/-7%	88.3%	-20-50 C	80 C	278x30x21mm	CE pending

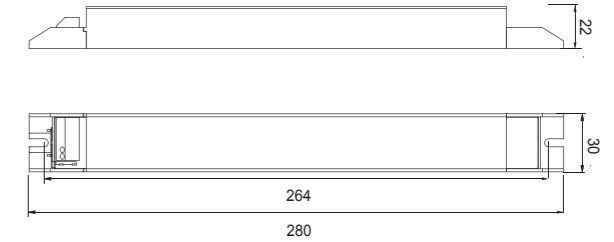
DCC Linear Series

DALI

SLD80-350ILD-EU



Dimensions: (mm)



- Multipower driver supplied with dip-switch for the selection of the output current.
- Built-in power supply for constant current LED lamp
- Non-isolated design has high performance cost ratio
- Push in terminal block for quick connection
- Ripple free in all selectable current and in all dimming range
- Functional grounded
- Start-up time $\leq 0.5s$
- No load power consumption $\leq 0.5W$
- Open circuit, short circuit, over load and over temperature protection
- Auto restart after fault conditions removal
- 5-100% dimming range by DALI or PUSH DIM(with memory function)
- Warranty :5 Years

SLD80-350IBD-EU




DIP switch

Iout	Vomax	Pomax	1	2	3	4	Iout	Vomax	Pomax	1	2	3	4
200mA	270V	54W	—	—	—	—	280mA	270V	75.5W	ON	—	—	—
210mA	270V	56.5W	—	—	—	ON	290mA	270V	78W	ON	—	—	ON
220mA	270V	59W	—	—	ON	—	300mA	266V	80W	ON	—	ON	—
230mA	270V	62W	—	—	ON	ON	310mA	258V	80W	ON	—	ON	ON
240mA	270V	64.5W	—	ON	—	—	320mA	250V	80W	ON	ON	—	—
250mA	270V	67.5W	—	ON	—	ON	330mA	242V	80W	ON	ON	—	ON
260mA	270V	70W	—	ON	ON	—	340mA	235V	80W	ON	ON	ON	—
270mA	270V	72.5W	—	ON	ON	ON	350mA	228V	80W	ON	ON	ON	ON







Specifications

Model	Rated input	PF	Output	Output Power range	Output voltage range	Tolerance	Efficiency	t _a	t _c	Size	Approval
SLD80-350ILD-EU	AC220-240V	0.90C	200mA	23-54W	115-270V	+/-5%	92.0%	-20-50 C	90 C	280x30x22mm	pending CE
	AC220-240V	0.90C	210mA	23.1-56.5W	110-270V	+/-5%	92.0%	-20-50 C	90 C	280x30x22mm	pending CE
	AC220-240V	0.90C	220mA	23.1-59W	110-270V	+/-5%	92.2%	-20-50 C	90 C	280x30x22mm	pending CE
	AC220-240V	0.90C	230mA	23.1-62W	110-270V	+/-5%	92.5%	-20-50 C	90 C	280x30x22mm	pending CE
	AC220-240V	0.90C	240mA	23.1-64.5W	110-270V	+/-5%	92.7%	-20-50 C	90 C	280x30x22mm	pending CE
	AC220-240V	0.90C	250mA	23.1-67.5W	110-270V	+/-5%	92.8%	-20-50 C	90 C	280x30x22mm	pending CE
	AC220-240V	0.90C	260mA	23.1-70W	110-270V	+/-5%	92.9%	-20-50 C	90 C	280x30x22mm	pending CE
	AC220-240V	0.90C	270mA	23.1-72.5W	110-270V	+/-5%	93.1%	-20-50 C	90 C	280x30x22mm	pending CE
	AC220-240V	0.90C	280mA	23.1-75.5W	110-270V	+/-5%	93.2%	-20-50 C	90 C	280x30x22mm	pending CE
	AC220-240V	0.90C	290mA	23.1-78W	110-270V	+/-5%	93.3%	-20-50 C	90 C	280x30x22mm	pending CE
	AC220-240V	0.90C	300mA	33-80W	110-266V	+/-5%	93.4%	-20-50 C	90 C	280x30x22mm	pending CE
	AC220-240V	0.90C	310mA	34.1-80W	110-258V	+/-5%	93.4%	-20-50 C	90 C	280x30x22mm	pending CE
	AC220-240V	0.90C	320mA	35.2-80W	110-250V	+/-5%	93.3%	-20-50 C	90 C	280x30x22mm	pending CE
	AC220-240V	0.90C	330mA	36.3-80W	110-242V	+/-5%	93.3%	-20-50 C	90 C	280x30x22mm	pending CE
AC220-240V	0.90C	340mA	37.4-80W	110-235V	+/-5%	93.2%	-20-50 C	90 C	280x30x22mm	pending CE	
AC220-240V	0.90C	350mA	38.5-80W	110-228V	+/-5%	93.1%	-20-50 C	90 C	280x30x22mm	pending CE	




CV Basic Series

Model.no	Type	Input	λ	Output	Output power range	Output voltage range	L x W x H	Approval
 SLT6-350ILs	CV	AC 220-240V	0.55C	7.2W/24V	0-7.2W	-	68x35x20mm (2-11/16"x1-3/8"x13/16")	CE, RoHS, CCC
SLT6-700ILs	CV	AC 220-240V	0.55C	6W/12V	0-6W	-	68x35x20mm (2-11/16"x1-3/8"x13/16")	CE, RoHS, CCC
SLT6-350IL-4	CV	AC 100-240V	0.40C	6W/24V	0-6W	-	68x35x20mm (2-11/16"x1-3/8"x13/16")	CE, RoHS, CCC
SLT6-700IL-4	CV	AC 100-240V	0.40C	6W/12V	0-6W	-	68x35x20mm (2-11/16"x1-3/8"x13/16")	CE, RoHS, CCC
 SLT15-12VF-2s	CV	AC 220-240V	0.70C	15W/12V	0-15W	-	121x45x16mm	CE, RoHS, CCC
SLT15-24VF-2s	CV	AC 220-240V	0.70C	15W/24V	0-15W	-	121x45x16mm	CE, RoHS, CCC
 SLT20-12VFG-UN	CV	AC 220-240V	0.80C	20W/12V	0-20W	-	165x40x30mm	RoHS pending, CE
SLT20-24VFG-UN	CV	AC 220-240V	0.80C	20W/24V	0-20W	-	165x40x30mm	RoHS pending, CE





CV Classic Series

Model.no	Type	Input	λ	Output	Output power range	Output voltage range	L x W x H	Approval
 SLT30-12VFG-Es	CV	AC 220-240V	0.95	30W/12V	0-30W	-	165x40x30mm	CE, RoHS, CCC
SLT30-24VFG-Es	CV	AC 220-240V	0.95	30W/24V	0-30W	-	165x40x30mm	CE, RoHS, CCC
SLT30-48VFG-Es	CV	AC 220-240V	0.95	30W/48V	0-30W	-	165x40x30mm	CE, RoHS, CCC
 SLT60-12VFG-E	CV	AC 220-240V	0.95	60W/12V	0-60W	-	188x45x30mm	CE, RoHS, CCC
SLT60-24VFG-E	CV	AC 220-240V	0.95	60W/24V	0-60W	-	188x45x30mm	CE, RoHS, CCC
 SLT75-24VL-2	CV	AC 100-240V	0.95	75W/24V	0-75W	-	180x60x30mm (7-1/16"x2-3/8"x1-3/16")	CE, RoHS, CCC
SLT75-24VL-E	CV	AC 220-240V	0.95	75W/24V	0-75W	-	185x60x31mm	CE, RoHS, CCC
 SLT100-12VLE	CV	AC 220-240V	0.95	100W/12V	0-100W	-	185x60x31mm	CE, RoHS, CCC
SLT100-24VLE	CV	AC 220-240V	0.95	100W/24V	0-100W	-	185x60x31mm	CE, RoHS, CCC
 SLT120-12VLE	CV	AC 220-240V	0.95	120W/12V	0-120W	-	185x60x31mm	CE, RoHS pending
SLT120-24VLE	CV	AC 220-240V	0.95	120W/24V	0-120W	-	185x60x31mm	CE, RoHS pending
 SLT150-24VLE	CV	AC 220-240V	0.95	150W/24V	0-150W	-	223x64x32mm	CE, RoHS





CV Ultrathin Series

Model.no	Type	Input	λ	Output	Output power range	Output voltage range	L x W x H	Approval
 SLT15-12VFG	CV	AC 220-240V	0.50C	15W/12V	0-15W	-	138x40x12mm	CE, RoHS
SLT15-24VFG	CV	AC 220-240V	0.50C	15W/24V	0-15W	-	138x40x12mm	CE, RoHS
 SLT20-12VFGs	CV	AC 220-240V	0.80C	20W/12V	0-20W	-	166x40x14mm	CE, RoHS
SLT20-24VFGs	CV	AC 220-240V	0.80C	20W/24V	0-20W	-	166x40x14mm	CE, RoHS
 SLT30-12VFG	CV	AC 220-240V	0.95	30W/12V	0-30W	-	246x30x16mm	CE, RoHS
SLT30-24VFG	CV	AC 220-240V	0.95	30W/24V	0-30W	-	246x30x16mm	CE, RoHS

CV Ultrathin Series






Model.no	Type	Input	λ	Output	Output power range	Output voltage range	L x W x H	Approval
 SLT60-12VFG-UN	CV	AC 120-240V	0.95	60W/12V	0-60W	-	298x29.8x16mm (11-3/4"x1-3/16"x5/8")	CE, RoHS, CCC
SLT60-24VFG-UN	CV	AC 120-240V	0.95	60W/24V	0-60W	-	298x29.8x16mm (11-3/4"x1-3/16"x5/8")	CE, RoHS, CCC
SLT60-48VFG-UN	CV	AC 120-240V	0.95	60W/48V	0-60W	-	298x29.8x16mm (11-3/4"x1-3/16"x5/8")	CE, RoHS, CCC
 SLT75-12VFG	CV	AC 220-240V	0.95	75W/12V	0-75W	-	298x29.8x16.5mm	CE, RoHS
SLT75-24VFG	CV	AC 220-240V	0.95	75W/24V	0-75W	-	298x29.8x16.5mm	CE, RoHS
 SLT100-12VFG	CV	AC 220-240V	0.95	96W/12V	0-100W	-	298x29.8x16.5mm (11-3/4"x1-3/16"x5/8")	CE, RoHS
SLT100-24VFG-UN	CV	AC 120-240V	0.95	100W/24V	0-100W@240V 0-80W@120V	-	298x29.8x16mm (11-3/4"x1-3/16"x5/8")	CE, RoHS, CCC
SLT100-48VFG-UN	CV	AC 120-240V	0.95	100W/48V	0-100W@240V 0-80W@120V	-	298x29.8x16mm (11-3/4"x1-3/16"x5/8")	CE, RoHS, CCC
 SLT150-12VFG	CV	AC 220-240V	0.95	150W/12V	0-150W	-	Pendingx29.8xPending (pendingx1-3/16"xpending)	CE, RoHS pending
SLT150-24VFG	CV	AC 220-240V	0.95	150W/24V	0-150W	-	Pendingx29.8xPending (pendingx1-3/16"xpending)	CE, RoHS pending

CV Metal - Metal-slim & premium Series

Model.no	Type	Input	λ	Output	Output power range	Output voltage range	L x W x H	Approval
 SLT30-12VFC-UN	CV	AC 120-240V	0.95	30W/12V	0-30W	-	275x30x16.5mm (10-13/16"x1-3/16"x5/8")	RoHS pending, CE
SLT30-24VFC-UN	CV	AC 120-240V	0.95	30W/24V	0-30W	-	275x30x16.5mm (10-13/16"x1-3/16"x5/8")	RoHS pending, CE
 SLT75-12VFC-UN	CV	AC 120-240V	0.95	75W/12V	0-60W@120Vac 0-75W@220-240Vac	-	333x30x16.5mm (13-1/8"x1-3/16"x5/8")	RoHS pending, CE
SLT75-24VFC-UN	CV	AC 120-240V	0.95	75W/24V	0-75W	-	333x30x16.5mm (13-1/8"x1-3/16"x5/8")	RoHS pending, CE
 SLT96-12VLC-UN	CV	AC 100-277V	0.95	96W/12V	0-96W	-	262x40x23mm (10-5/16"x1-9/16"x15/16")	CE, RoHS
SLT96-24VLC-UN	CV	AC 100-277V	0.95	96W/24V	0-96W	-	262x40x23mm (10-5/16"x1-9/16"x15/16")	CE, RoHS, RoHS
 SLT200-12VLC-UN	CV	AC 120-277V	0.95	200W/12V	0-200W	-	Pendingx40x23mm (pendingx1-9/16"x15/16")	CE, RoHS pending
SLT200-24VLC-UN	CV	AC 120-277V	0.95	200W/24V	0-200W	-	Pendingx40x23mm (pendingx1-9/16"x15/16")	CE, RoHS pending

DCV: Constant Voltage Dimming

CV Smart Series

Model.no	Type	Input	λ	Output	Output power range	Output voltage range	L x W x H	Approval
 SLD15-12VLS-E	CV	AC 220-240V	0.70C	15W/12VDC	0-15W	-	167x49x16mm	CE, RoHS pending
SLD15-12VLS-E1	CV	AC 220-240V	0.70C	15W/12VDC	0-15W	-	167x49x16mm	CE, RoHS pending
 SLD30-12VLS-E	CV	AC 220-240V	0.95	30W/12VDC	0-30W	-	189x59x16mm	CE, RoHS pending
SLD30-12VLS-E1	CV	AC 220-240V	0.95	30W/12VDC	0-30W	-	189x59x16mm	CE, RoHS pending
 SLD60-12VLS-E	CV	AC 220-240V	0.95	60W/12VDC	0-60W	-	247x71x16mm	CE, RoHS pending
SLD60-12VLS-E1	CV	AC 220-240V	0.95	60W/12VDC	0-60W	-	247x71x16mm	CE, RoHS pending
 SLD15-24VLS-E	CV	AC 220-240V	0.70C	15W/24VDC	0-15W	-	167x49x16mm	CE, RoHS pending
SLD15-24VLS-E1	CV	AC 220-240V	0.70C	15W/24VDC	0-15W	-	167x49x16mm	CE, RoHS pending
 SLD30-24VLS-E	CV	AC 220-240V	0.95	30W/24VDC	0-30W	-	189x59x16mm	CE, RoHS pending
SLD30-24VLS-E1	CV	AC 220-240V	0.95	30W/24VDC	0-30W	-	189x59x16mm	CE, RoHS pending
SLD60-24VLS-E	CV	AC 220-240V	0.95	60W/24VDC	0-60W	-	247x71x16mm	CE, RoHS pending
SLD60-24VLS-E1	CV	AC 220-240V	0.95	60W/24VDC	0-60W	-	247x71x16mm	CE, RoHS pending

CV Classic-High-Adaptability Triac Series

	Model.no	Type	Input	λ	Output	Output power range	Output voltage range	L x W x H	Approval
	SLD30-12VL-E	CV	AC 220-240V	0.95	30W/12V	5-30W	-	145x50x22mm	CE pending
	SLD30-24VL-E	CV	AC 220-240V	0.95	30W/24V	5-30W	-	145x50x22mm	CE pending
	SLD75-12VL-E	CV	AC 220-240V	0.95	75W/12V	12-75W	-	185x60x31mm	CE
	SLD75-24VL-E	CV	AC 220-240V	0.95	75W/24V	12-75W	-	185x60x31mm	CE
	SLD120-24VL-E	CV	AC 220-240V	0.95	120W/24V	12-120W	-	223x64x32mm	CE pending

CV Metal- 3 in 1 Series

	Model.no	Type	Input	λ	Output	Output power range	Output voltage range	L x W x H	Approval
	SLD96-12VCA-UN	CV	AC100-277V	0.95	96W/12V	0-96W	-	262x40x23mm (10-5/16"x1-9/16"x15/16")	CE pending
	SLD96-24VCA-UN	CV	AC100-277V	0.95	96W/24V	0-96W	-	262x40x23mm (10-5/16"x1-9/16"x15/16")	CE pending
	SLD200-12VCA-UN	CV	AC120-277V	0.95	200W/12V	0-200W	-	Pendingx40x23mm (pendingx1-9/16"x15/16")	CE pending
	SLD200-24VCA-UN	CV	AC120-277V	0.95	200W/24V	0-200W	-	Pendingx40x23mm (pendingx1-9/16"x15/16")	CE pending

FCC: Constant Current Fixed Output

CC Basic Series

	Model.no	Type	Input	λ	Output	Output power range	Output voltage range	L x W x H	Approval
	SLT3-350IS-1	CC	AC 220-240V	0.50C	3W/350mA	1.0-3.2W	3-9V	50x30x20mm	CE
	SLT3-700IS-1	CC	AC 220-240V	0.50C	3W/700mA	1.4-2.9W	2-4.2V	50x30x20mm	CE
	SLT3-350ISC	CC	AC100-240V	0.60C@100-120V 0.45C@220-240V	3W/350mA	1.1-4.2W	3-12V	52x30x23mm (2-1/16"x1-3/16"x15/16")	CE, UL, Intertek
	SLT3-700ISC	CC	AC100-240V	0.60C@100-120V 0.45C@220-240V	3W/700mA	2.1-3.2W	3-4.5V	52x30x23mm (2-1/16"x1-3/16"x15/16")	CE, UL, Intertek
	SLT4-500ISC	CC	AC100-240V	0.60C@100-120V 0.45C@220-240V	4W/500mA	1.5-4.75W	3-9.5V	52x30x23mm (2-1/16"x1-3/16"x15/16")	CE, UL, Intertek
	SLT6-350ISC-UN	CC	AC120-240V	0.85C	6W/350mA	1.8-6W	5-17V	52x30x23mm (2-1/16"x1-3/16"x15/16")	UL pending CE
	SLT6-500ISC-UN	CC	AC120-240V	0.85C	6W/500mA	1.5-6W	3-12V	52x30x23mm (2-1/16"x1-3/16"x15/16")	UL pending CE
	SLT6-700ISC-UN	CC	AC120-240V	0.85C	6W/700mA	2.1-6.3W	3-9V	52x30x23mm (2-1/16"x1-3/16"x15/16")	UL pending CE
	SLT6-350ILs	CC	AC220-240V	0.55C	6W/350mA	2.6-7.2W	7.5-21V	68x35x20mm (2-11/16"x1-3/8"x13/16")	CE, Intertek, CCC
	SLT6-700ILs	CC	AC220-240V	0.55C	6W/700mA	2.1-6.3W	3-9V	68x35x20mm (2-11/16"x1-3/8"x13/16")	CE, Intertek, CCC
	SLT6-350IL-4	CC	AC100-240V	0.40C	6W/350mA	1-7.7W	3-22V	68x35x20mm (2-11/16"x1-3/8"x13/16")	CE, UL, Intertek
	SLT6-500IL-4	CC	AC100-240V	0.40C	6W/500mA	1.5-6W	3-12V	68x35x20mm (2-11/16"x1-3/8"x13/16")	CE, UL, Intertek
	SLT6-700IL-4	CC	AC100-240V	0.40C	6W/700mA	2-5.9W	3-8.4V	68x35x20mm (2-11/16"x1-3/8"x13/16")	CE, UL, Intertek

CC Basic Series

	Model.no	Type	Input	λ	Output	Output power range	Output voltage range	L x W x H	Approval
	SLT10-250IL-UN	CC	AC120-240V	0.85C	10W/250mA	0.5W-10W	2-40V	68x35x20mm (2-11/16"x1-3/8"x13/16")	UL pending CE
	SLT10-350IL-UN	CC	AC120-240V	0.85C	10W/350mA	1-10W	2-29V	68x35x20mm (2-11/16"x1-3/8"x13/16")	UL pending CE
	SLT10-450IL-UN	CC	AC120-240V	0.85C	10W/450mA	1-10W	3-20V	68x35x20mm (2-11/16"x1-3/8"x13/16")	UL pending CE
	SLT10-500IL-UN	CC	AC120-240V	0.85C	10W/500mA	1.5-10W	3-20V	68x35x20mm (2-11/16"x1-3/8"x13/16")	UL pending CE
	SLT10-700IL-UN	CC	AC120-240V	0.85C	10W/700mA	2.1-10W	3-14V	68x35x20mm (2-11/16"x1-3/8"x13/16")	UL pending CE
	SLT12-350IF-Es	CC	AC220-240V	0.70C	12W/350mA	7.4-15.1W	21-43V	121x45x16mm	CE, Intertek
	SLT12-500IF-Es	CC	AC220-240V	0.70C	12W/500mA	7.5-15W	15-30V	121x45x16mm	CE, Intertek
	SLT12-700IF-Es	CC	AC220-240V	0.70C	12W/700mA	7-15.4W	10-22V	121x45x16mm	CE, Intertek




CC Classic Series

	Model.no	Type	Input	λ	Output	Output power range	Output voltage range	L x W x H	Approval
	SLT25-350ILE-E	CC	AC220-240V	0.90C	25W/350mA	9.8-24.5W	28-70V	121x45x20mm	CE, Intertek
	SLT25-500ILE-E	CC	AC220-240V	0.90C	25W/500mA	9-25W	18-50V	121x45x20mm	CE, Intertek
	SLT25-700ILE-E	CC	AC220-240V	0.90C	25W/700mA	12.6-25.2W	18-36V	121x45x20mm	CE, Intertek
	SLT30-600ILE-E	CC	AC220-240V	0.95	30W/600mA	16.2-27W	27-45V	165x40x30mm	CE
	SLT30-700ILE-E	CC	AC220-240V	0.95	30W/700mA	18.9-30.1W	27-43V	165x40x30mm	CE
	SLT40-800ILE-E	CC	AC220-240V	0.95	40W/800mA	21.6-36W	27-45V	165x40x30mm	CE
	SLT40-900ILE-E	CC	AC220-240V	0.95	40W/900mA	24.3-39.6W	27-44V	165x40x30mm	CE
	SLT40-1050ILE-E	CC	AC220-240V	0.95	40W/1050mA	28.35-44.1W	27-42V	165x40x30mm	CE




CC Linear-Dip-Switch Series

	Model.no	Type	Input	λ	Output	Output power range	Output voltage range	L x W x H	Approval
	SLT35-700IL-E	CC	AC220-240V	0.90C	500mA	13.5-27W	27-54V	278x30x21mm	CE
	SLT35-700IL-E	CC	AC220-240V	0.90C	600mA	16.2-32.4W	27-54V	278x30x21mm	CE
	SLT35-700IL-E	CC	AC220-240V	0.90C	700mA	18.9-37.8W	27-54V	278x30x21mm	CE
	SLD35-700ILA-E	CC	AC220-240V	0.95	350mA	2.1-16.8W	6-48V	278x30x21mm	CE
	SLD35-700ILA-E	CC	AC220-240V	0.95	500mA	3-24W	6-48V	278x30x21mm	CE
	SLD35-700ILA-E	CC	AC220-240V	0.95	550mA	3.3-26.4W	6-48V	278x30x21mm	CE
	SLD35-700ILA-E	CC	AC220-240V	0.95	700mA	4.2-33.6W	6-48V	278x30x21mm	CE


CC Linear-Dip-Switch Series

Model.no	Type	Input	λ	Output	Output power range	Output voltage range	L x W x H	Approval
 SLT50-1050IL-E	CC	AC220-240V	0.95	800mA	21.6-43.2W	27-54V	278x30x21mm	CE
	CC	AC220-240V	0.95	900mA	24.3-48.6W	27-54V	278x30x21mm	CE
	CC	AC220-240V	0.95	950mA	25.7-51.5W	27-54V	278x30x21mm	CE
	CC	AC220-240V	0.95	1050mA	28.4-56.5W	27-54V	278x30x21mm	CE
 SLT80-1500IL-E	CC	AC220-240V	0.90C	1200mA	32.4-65W	27-54V	360x30x21mm	CE
	CC	AC220-240V	0.90C	1300mA	35.1-70W	27-54V	360x30x21mm	CE
	CC	AC220-240V	0.90C	1400mA	37.8-74W	27-54V	360x30x21mm	CE
	CC	AC220-240V	0.90C	1500mA	40.5-78W	27-54V	360x30x21mm	CE
 SLT80-350IL-EU	CC	AC220-240V	0.90C	200mA	23-54W	115-270V	280x30x22mm	CE pending
	CC	AC220-240V	0.90C	210mA	23.1-56.5W	110-270V	280x30x22mm	CE pending
	CC	AC220-240V	0.90C	220mA	23.1-59W	110-270V	280x30x22mm	CE pending
	CC	AC220-240V	0.90C	230mA	23.1-62W	110-270V	280x30x22mm	CE pending
	CC	AC220-240V	0.90C	240mA	23.1-64.5W	110-270V	280x30x22mm	CE pending
	CC	AC220-240V	0.90C	250mA	23.1-67.5W	110-270V	280x30x22mm	CE pending
	CC	AC220-240V	0.90C	260mA	23.1-70W	110-270V	280x30x22mm	CE pending
	CC	AC220-240V	0.90C	270mA	23.1-72.5W	110-270V	280x30x22mm	CE pending
	CC	AC220-240V	0.90C	280mA	23.1-75.5W	110-270V	280x30x22mm	CE pending
	CC	AC220-240V	0.90C	290mA	23.1-78W	110-270V	280x30x22mm	CE pending
	CC	AC220-240V	0.90C	300mA	33-80W	110-266V	280x30x22mm	CE pending
	CC	AC220-240V	0.90C	310mA	34.1-80W	110-258V	280x30x22mm	CE pending
	CC	AC220-240V	0.90C	320mA	35.2-80W	110-250V	280x30x22mm	CE pending
	CC	AC220-240V	0.90C	330mA	36.3-80W	110-242V	280x30x22mm	CE pending
	CC	AC220-240V	0.90C	340mA	37.4-80W	110-235V	280x30x22mm	CE pending
	CC	AC220-240V	0.90C	350mA	38.5-80W	110-228V	280x30x22mm	CE pending

CC Compact-Dip-Switch Series

Model.no	Type	Input	λ	Output	Output power range	Output voltage range	L x W x H	Approval
 SLT25-600IB-E	CC	AC 220-240V	0.80C	250mA	6.7-10.5W	27-42V	66.7x41x22mm 85.3x41x22mm	CE pending
	CC	AC 220-240V	0.80C	300mA	8.1-12.3W	27-42V	66.7x41x22mm 85.3x41x22mm	CE pending
	CC	AC 220-240V	0.80C	350mA	9.4-14.7W	27-42V	66.7x41x22mm 85.3x41x22mm	CE pending
	CC	AC 220-240V	0.80C	400mA	10.8-16.8W	27-42V	66.7x41x22mm 85.3x41x22mm	CE pending
 SLT25-600IL-E	CC	AC 220-240V	0.80C	450mA	12.2-18.9W	27-42V	66.7x41x22mm 85.3x41x22mm	CE pending
	CC	AC 220-240V	0.80C	500mA	13.5-21W	27-42V	66.7x41x22mm 85.3x41x22mm	CE pending
	CC	AC 220-240V	0.90C	550mA	14.8-23.1W	27-42V	66.7x41x22mm 85.3x41x22mm	CE pending
	CC	AC 220-240V	0.90C	600mA	16.2-25.2W	27-42V	66.7x41x22mm 85.3x41x22mm	CE pending
 SLT35-1000IB-UN	CC	AC110-277V	0.75C	250mA	0.5-12W	2-50V	95.6x39x30mm 135.5x39x30mm	UL pending CE
	CC	AC110-277V	0.75C	300mA	0.6-15W	2-50V	95.6x39x30mm 135.5x39x30mm	UL pending CE
	CC	AC110-277V	0.75C	350mA	0.7-17W	2-50V	95.6x39x30mm 135.5x39x30mm	UL pending CE
	CC	AC110-277V	0.75C	400mA	0.8-20W	2-50V	95.6x39x30mm 135.5x39x30mm	UL pending CE
	CC	AC110-277V	0.85C	450mA	0.9-22W	2-50V	95.6x39x30mm 135.5x39x30mm	UL pending CE
	CC	AC110-277V	0.85C	500mA	1-25W	2-50V	95.6x39x30mm 135.5x39x30mm	UL pending CE
	CC	AC110-277V	0.90C	550mA	1.1-27W	2-50V	95.6x39x30mm 135.5x39x30mm	UL pending CE
	CC	AC110-277V	0.90C	600mA	1.2-30W	2-50V	95.6x39x30mm 135.5x39x30mm	UL pending CE
	CC	AC110-277V	0.90C	650mA	1.3-32W	2-50V	95.6x39x30mm 135.5x39x30mm	UL pending CE
	CC	AC110-277V	0.90C	700mA	1.4-35W	2-50V	95.6x39x30mm 135.5x39x30mm	UL pending CE
	CC	AC110-277V	0.90C	750mA	1.5-35W	2-47V	95.6x39x30mm 135.5x39x30mm	UL pending CE
	CC	AC110-277V	0.90C	800mA	1.6-35W	2-43V	95.6x39x30mm 135.5x39x30mm	UL pending CE
	CC	AC110-277V	0.90C	850mA	1.7-35W	2-41V	95.6x39x30mm 135.5x39x30mm	UL pending CE
	CC	AC110-277V	0.90C	900mA	1.8-35W	2-39V	95.6x39x30mm 135.5x39x30mm	UL pending CE
	CC	AC110-277V	0.90C	950mA	1.9-35W	2-37V	95.6x39x30mm 135.5x39x30mm	UL pending CE
	CC	AC110-277V	0.90C	1000mA	2-35W	2-35V	95.6x39x30mm 135.5x39x30mm	UL pending CE
 SLT45-1050IB-E	CC	AC220-240V	0.95	700mA	18.9-29.4W	27-42V	96x42x29.8mm 139x42x29.8mm	UL pending CE
	CC	AC220-240V	0.95	750mA	20.3-31.5W	27-42V	96x42x29.8mm 139x42x29.8mm	UL pending CE
	CC	AC220-240V	0.95	800mA	21.6-33.6W	27-42V	96x42x29.8mm 139x42x29.8mm	UL pending CE
	CC	AC220-240V	0.95	850mA	22.9-35.7W	27-42V	96x42x29.8mm 139x42x29.8mm	UL pending CE
 SLT45-1050IL-E	CC	AC220-240V	0.95	900mA	24.3-37.8W	27-42V	96x42x29.8mm 139x42x29.8mm	UL pending CE
	CC	AC220-240V	0.95	950mA	25.6-39.9W	27-42V	96x42x29.8mm 139x42x29.8mm	UL pending CE
	CC	AC220-240V	0.95	1000mA	27-42W	27-42V	96x42x29.8mm 139x42x29.8mm	UL pending CE
	CC	AC220-240V	0.95	1050mA	28.3-42W	27-42V	96x42x29.8mm 139x42x29.8mm	UL pending CE

CC Compact-Dip-Switch Series

Model.no	Type	Input	λ	Output	Output power range	Output voltage range	L x W x H	Approval
 SLT20-500IB-UN	CC	AC110-277V	0.70C	150mA	0.75-6W	5-40V	66.7x41x22mm 85.3x41x22mm	UL pending CE
	CC	AC110-277V	0.70C	200mA	1-8W	5-40V	66.7x41x22mm 85.3x41x22mm	UL pending CE
	CC	AC110-277V	0.70C	250mA	1.25-10W	5-40V	66.7x41x22mm 85.3x41x22mm	UL pending CE
	CC	AC110-277V	0.70C	300mA	1.5-12W	5-40V	66.7x41x22mm 85.3x41x22mm	UL pending CE
	CC	AC110-277V	0.70C	350mA	1.75-14W	5-40V	66.7x41x22mm 85.3x41x22mm	UL pending CE
	CC	AC110-277V	0.90C	400mA	2-16W	5-40V	66.7x41x22mm 85.3x41x22mm	UL pending CE
	CC	AC110-277V	0.90C	450mA	2.25-18W	5-40V	66.7x41x22mm 85.3x41x22mm	UL pending CE
	CC	AC110-277V	0.90C	500mA	2.5-20W	5-40V	66.7x41x22mm 85.3x41x22mm	UL pending CE

CC Classic-Triac Series

Model.no	Type	Input	λ	Output	Output power range	Output voltage range	L x W x H	Approval
SLD15-300IL-Es	CC	AC220-240V	0.95	15W/300mA	7.2-14.4W	24-48V	85.3x41x22mm	CE pending
SLD15-350IL-Es	CC	AC220-240V	0.95	15W/350mA	8.4-14.7W	24-42V	85.3x41x22mm	CE pending
SLD15-500IL-Es	CC	AC220-240V	0.95	15W/500mA	8.5-15W	17-30V	85.3x41x22mm	CE pending
SLD15-700IL-Es	CC	AC220-240V	0.95	15W/700mA	6.3-15.4W	9-22V	85.3x41x22mm	CE pending
SLD15-300IB-Es	CC	AC220-240V	0.95	15W/300mA	7.2-14.4W	24-48V	66.7x41x22mm	CE pending
SLD15-350IB-Es	CC	AC220-240V	0.95	15W/350mA	8.4-14.7W	24-42V	66.7x41x22mm	CE pending
SLD15-500IB-Es	CC	AC220-240V	0.95	15W/500mA	8.5-15W	17-30V	66.7x41x22mm	CE pending
SLD15-700IB-Es	CC	AC220-240V	0.95	15W/700mA	6.3-15.4W	9-22V	66.7x41x22mm	CE pending
SLD12-150IL-Es	CC	AC220-240V	0.90C	12W/150mA	3.9-7.5W	26-50V	121x45x20mm	CE pending
SLD12-180IL-Es	CC	AC220-240V	0.90C	12W/180mA	4.68-9W	26-50V	121x45x20mm	CE pending
SLD12-240IL-Es	CC	AC220-240V	0.90C	12W/240mA	6.24-12W	26-50V	121x45x20mm	CE pending
SLD12-300IL-Es	CC	AC220-240V	0.90C	12W/300mA	9-11.4W	30-38V	121x45x20mm	CE pending
SLD12-350IL-Es	CC	AC220-240V	0.90C	12W/350mA	4.68-12W	23-36V	121x45x20mm	CE pending
SLD12-500IL-Es	CC	AC220-240V	0.90C	12W/500mA	7.5-12W	15-24V	121x45x20mm	CE pending
SLD20-350IL-Es	CC	AC 220-240V	0.95	20W/350mA	10.5-18.9W	30-54V	121x45x20mm	CE pending
SLD20-500IL-Es	CC	AC 220-240V	0.95	20W/500mA	10-20W	20-40V	121x45x20mm	CE pending
SLD20-700IL-Es	CC	AC 220-240V	0.95	20W/700mA	10.5-20.3W	15-29V	121x45x20mm	CE pending
SLD30-500IL-Es	CC	AC220-240V	0.90C	30W/500mA	15-30W	30-60V	165x40x30mm	CE pending
SLD30-600IL-Es	CC	AC220-240V	0.90C	30W/600mA	15-30W	25-50V	165x40x30mm	CE pending
SLD30-700IL-Es	CC	AC220-240V	0.90C	30W/700mA	14.7-29.4W	21-42V	165x40x30mm	CE pending
SLD40-700IL-Es	CC	AC220-240V	0.95	40W/700mA	21-38.5W	30-55V	165x40x30mm	CE pending
SLD40-800IL-Es	CC	AC220-240V	0.95	40W/800mA	20-40W	25-50V	165x40x30mm	CE pending
SLD40-900IL-Es	CC	AC220-240V	0.90C	40W/900mA	19.8-39.6W	22-44V	165x40x30mm	CE pending
SLD40-1050IL-Es	CC	AC220-240V	0.90C	40W/1050mA	20-39.9W	19-38V	165x40x30mm	CE pending

CC Linear-DALI Series

Model.no	Type	Input	λ	Output	Output power range	Output voltage range	L x W x H	Approval
SLD60-800IBD-E	CC	AC220-240V	0.95	500mA	5-37.5W	10-75V	278x30x21mm	CE DALI
	CC	AC220-240V	0.95	600mA	6-45W	10-75V	278x30x21mm	CE DALI
	CC	AC220-240V	0.95	700mA	7-52.5W	10-75V	278x30x21mm	CE DALI
	CC	AC220-240V	0.95	800mA	8-60W	10-75V	278x30x21mm	CE DALI
SLD80-350ILD-EU	CC	AC220-240V	0.90C	200mA	23-54W	115-270V	280x30x22mm	DALI pending CE
	CC	AC220-240V	0.90C	210mA	23.1-56.5W	110-270V	280x30x22mm	DALI pending CE
	CC	AC220-240V	0.90C	220mA	23.1-59W	110-270V	280x30x22mm	DALI pending CE
	CC	AC220-240V	0.90C	230mA	23.1-62W	110-270V	280x30x22mm	DALI pending CE
	CC	AC220-240V	0.90C	240mA	23.1-64.5W	110-270V	280x30x22mm	DALI pending CE
	CC	AC220-240V	0.90C	250mA	23.1-67.5W	110-270V	280x30x22mm	DALI pending CE
	CC	AC220-240V	0.90C	260mA	23.1-70W	110-270V	280x30x22mm	DALI pending CE
	CC	AC220-240V	0.90C	270mA	23.1-72.5W	110-270V	280x30x22mm	DALI pending CE
	CC	AC220-240V	0.90C	280mA	23.1-75.5W	110-270V	280x30x22mm	DALI pending CE
	CC	AC220-240V	0.90C	290mA	23.1-78W	110-270V	280x30x22mm	DALI pending CE
	CC	AC220-240V	0.90C	300mA	33-80W	110-266V	280x30x22mm	DALI pending CE
	CC	AC220-240V	0.90C	310mA	34.1-80W	110-258V	280x30x22mm	DALI pending CE
	CC	AC220-240V	0.90C	320mA	35.2-80W	110-250V	280x30x22mm	DALI pending CE
	CC	AC220-240V	0.90C	330mA	36.3-80W	110-242V	280x30x22mm	DALI pending CE
	CC	AC220-240V	0.90C	340mA	37.4-80W	110-235V	280x30x22mm	DALI pending CE
	CC	AC220-240V	0.90C	350mA	38.5-80W	110-228V	280x30x22mm	DALI pending CE