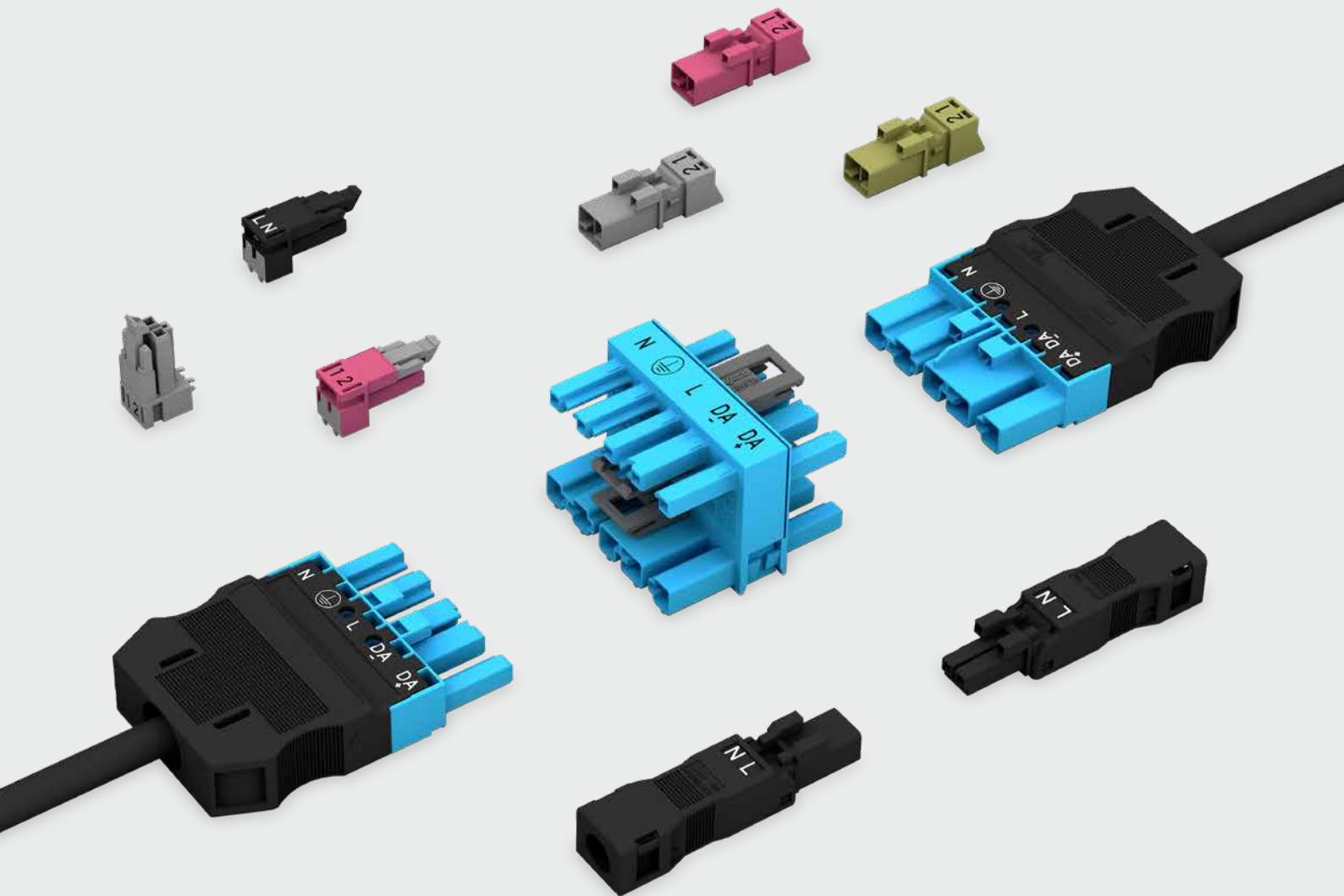




WAGO Pluggable Connection System WINSTA®

Edition 2025/1



WAGO Full Line Catalogs



WAGO Installation Connectors

- Splicing Connectors with Levers
- Inline Splicing Connectors with Levers
- Lighting Connectors
- PUSH WIRE® Splicing Connectors
- PUSH WIRE® Inline Splicing Connectors
- Luminaire Disconnect Connectors
- Gelboxes for Splicing Connectors
- Junction Box
- Cable Repair Set
- Splicing Connector Sets
- Accessories and Tools



WAGO TOPJOB® S Rail-Mount Terminal Block Systems

- Rail-Mount Terminal Blocks TOPJOB® S
- Rail-Mount Terminal Blocks with a Pluggable Connector X-COM®-SYSTEM
- Installation Rail-Mount Terminal Blocks TOPJOB® S
- Miniature Rail-Mount Terminal Blocks TOPJOB® S
- High-Current Rail-Mount Terminal Blocks
- Accessories and Tools



WAGO Rail-Mount Terminal Blocks Classic

- Rail-Mount Terminal Blocks Classic
- Rail-Mount Terminal Blocks with a Pluggable Connector X-COM®-SYSTEM
- Patchboard Systems
- Busbar Terminal Blocks
- Rail-Mount Terminal Blocks Mini
- Modular Terminal Blocks and WAGO Terminal Strips
- Chassis-Mount Terminal Strips
- Field-Wiring Terminal Blocks



WAGO PCB Terminal Blocks and Connectors

- Terminal Blocks (PCB; THR; SMD)
- *MULTI CONNECTION SYSTEM (MCS) MICRO; MINI; MIDI; MAXI*
- *picoMAX®; picoMAX® eCom*
- Pluggable PCB Terminal Blocks
- Feedthrough Terminal Strips
- Special Connectors
- Modulare Empty Housing
- Accessories and Tools



WAGO Pluggable Connection System WINSTA®

- Pluggable Connectors
- Snap-In Device Connectors
- Pluggable PCB Connectors
- Distribution Connectors
- Cable Assemblies
- Flat Cable Systems
- Distribution Boxes
- Accessories and Tools

WAGO

WAGO Automation Technology
Edition 2023/1



WAGO Automation Technology

- Cloud Solutions, Software Applications
- Engineering Software, Runtime Software, Mobile Software (Apps)
- Web Panels, Visu Panels und Control Panels
- Edge Controllers, Edge Computers
- Controllers
- I/O Systems
- Industrial Switches
- Radio Technology
- Sensor/Actuator Boxes
- Accessories and Tools

WAGO

WAGO Interface Electronics
Edition 2023/1



WAGO Interface Electronics

- Coupler Relays
- Solid-State Relays
- Signal Conditioners and Isolation Amplifiers
- Energy Measurement Technology
- System Wiring
- Component Modules
- Empty Housing
- Protective Devices and Protective Electronics
- Accessories and Tools

WAGO

WAGO Power Supply Systems
Edition 2023/1



WAGO Power Supply Systems

- Power Supplies; 1-Phase
- Power Supplies; 3-Phase
- Special Supplies
- Circuit Protection
- DC/DC Converters
- UPS-Charger and Controllers and Capacitive Buffer Modules
- Redundancy Modules
- Energy Measurement Technology
- Potential Distribution
- Accessories and Tools

WAGO

WAGO Marking
Edition 2023/1



WAGO Marking

- Thermal Transfer Smart Printer
- Digital Engineering
- Products for the Thermal Transfer Smart Printer
- Printed Products
- Plain Products
- Marker Carries

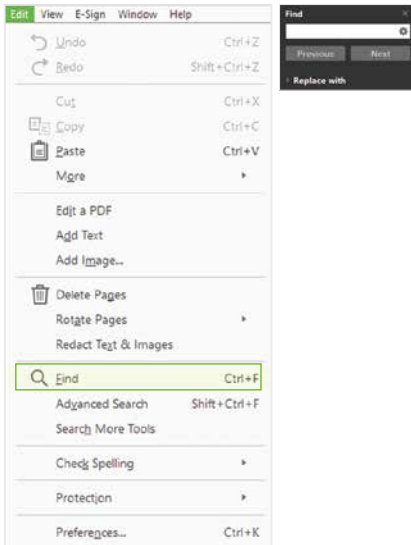
About This Catalog

Our digital catalogs provide several search and navigation features to help you quickly find the information you need. This page introduces the key functions of the catalog.

Searching the Catalog

To search for specific terms within the catalog, follow these steps:

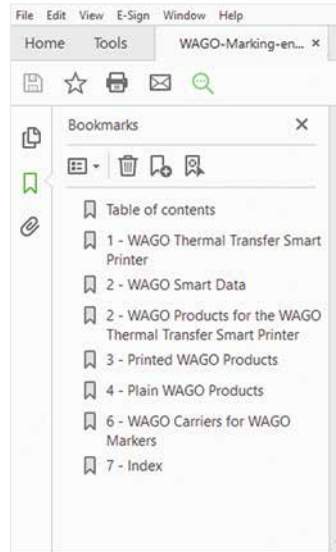
- Open the search dialog via **Edit > Find** or by clicking the **magnifying glass icon**. Alternatively, use the **Ctrl + F** keyboard shortcut.
- Enter your search term in the search field.
- Click **Next** to move to the next search result.



Navigating with Bookmarks

This PDF includes bookmarks to help you quickly and easily find specific sections. With a single click, you can jump directly to a chapter in the catalog.

- Open the bookmark panel by clicking the **bookmark icon**.
- To navigate to a chapter, click the relevant bookmark in the bookmark panel. The corresponding catalog page will then be displayed.



Navigating with the Table of Contents

Our table of contents includes clickable page numbers, allowing you to jump directly to the corresponding catalog page.

WAGO Marking Accessories		Page
	WAGO Thermal Transfer Smart Printer	6
	Digital Engineering with WAGO	18
	WAGO Products for the WAGO Thermal Transfer Smart Printer	27
	Printed WAGO Products	48
	Plain WAGO Products	71
	WAGO Marker Carriers	79
	Index	87

You can also find additional clickable page numbers in the selection guides and the item number index.

Links

To help you access additional information easily, this catalog includes links to various websites. These links may provide further product details, installation notes or quick access to important documents such as data sheets.

One example is our **item numbers**, which contain links to the corresponding product detail pages on our website. Simply click an item number to open the relevant product detail page.



You can identify links in this catalog by the presence of a URL in the link text (e.g., wago.com). In most cases, links are also underlined for easy recognition.

WAGO Pluggable Connection System *WINSTA*®

			Page
	WAGO Pluggable Connection System <i>WINSTA</i>® MINI 890/891 Series; 2- to 5-Pole Pluggable connectors, snap-in device connectors, pluggable PCB connectors, distribution connectors, cable assemblies	1.5 mm ² ; 16 A	23
	WAGO Pluggable Connection System <i>WINSTA</i>® MIDI 770/771 Series; 2- to 7-Pole Linect® T-connectors, pluggable connectors, snap-in device connectors, pluggable PCB connectors, distribution connectors, cable assemblies	4 mm ² ; 25 A	119
	WAGO Pluggable Connection System <i>WINSTA</i>® MAXI 831 Series; 5-Pole Pluggable connectors	6 mm ² ; 35 A	275
	WAGO Pluggable Connection System <i>WINSTA</i>® RD 774 Series; 3- and 4-Pole Cable assemblies	2.5 mm ² ; 20 A	281
	WAGO Pluggable Connection System <i>WINSTA</i>® KNX 893/894 Series; 2-Pole Pluggable connectors, snap-in device connectors, distribution connectors, cable assemblies	0.8 mm Ø; 3 A	295
	WAGO Pluggable Connection System <i>WINSTA</i>® IDC 772/893/895/896/897 Series Supply and tap-off modules, flat cables	16 mm ² ; 76 A	307
	WAGO Pluggable Connection System <i>WINSTA</i>® Boxes 899 Series Distribution boxes		335
	WAGO Accessories and WAGO Tools		367
	Technical Section		403
	Indexes Current addresses at www.wago.com		419

WINSTA® – A Complete Series Perfects the System

The WINSTA® Pluggable Connection System

is the electrical interface that links power supply and distribution to electrical loads (e.g., lights) and encompasses data processing (bus lines in building automation).

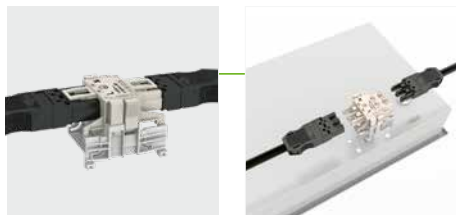
WINSTA® MINI



WINSTA® MIDI



WINSTA® MIDI Linect®

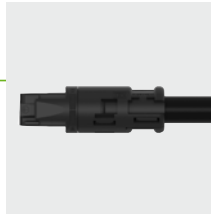


WINSTA® MAXI

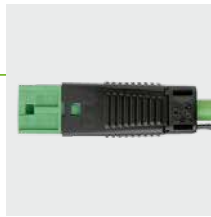




WINSTA® RD



WINSTA® KNX



WINSTA® IDC



Comprehensive WAGO Project Support:

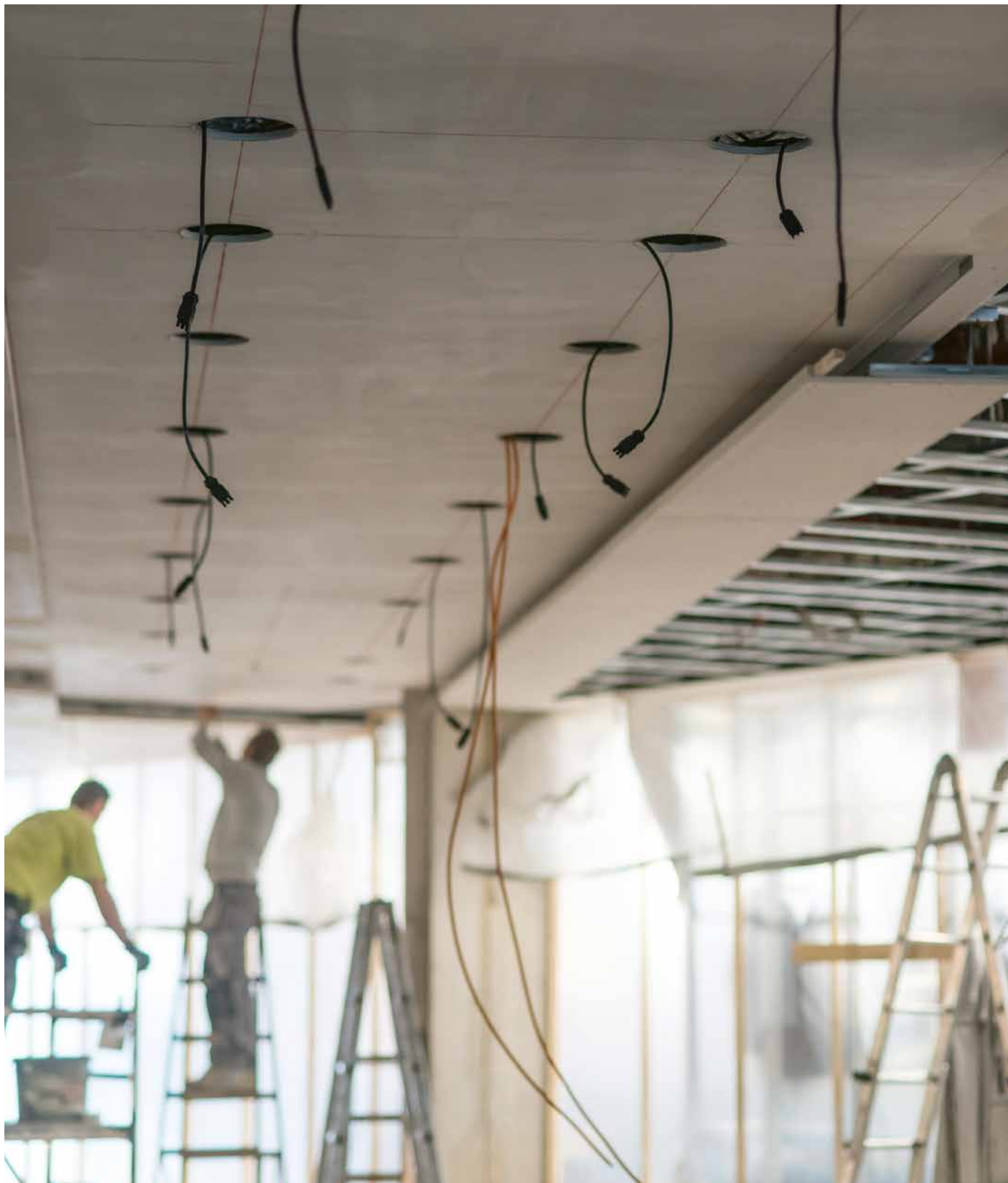
WAGO offers consulting and project planning services to help devise the best possible solution for your project. Our experienced team of professionals will gladly help you implement your project with our products.

www.wago.com/winsta

WINSTA® – The Pluggable Connection System

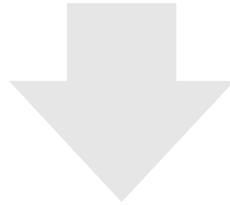
Plug into Power!

Even though the life cycle of a building stresses longevity, construction times are ever shorter and, particularly for functional buildings, operations are often subjected to continual reconstruction and relocation. Conditions within the construction industry show similar dynamic change: Overall construction volume is rising, so the order books are nicely filled. Yet at the same time, that industry struggles with a shortage of qualified workers. The **WINSTA®** Pluggable Connection System is the answer because speed, flexibility and expandability are becoming increasingly more important as integral keys to the long-term viability of buildings.



Planning

- End-to-end, application-oriented solutions from supply to load
- Integration of bus systems like DALI, SMI or KNX possible
- Decentralize energy distribution by integrating individually manufactured **WINSTA**® and system distribution boxes
- International approvals, along with our numerous successfully concluded building projects and references from the shipbuilding, transport and machinery/plant engineering areas, confirm high product quality.



Setup/Installation

- Evident time savings for the installer on the construction site thanks to Plug & Play connections.
- Pre-assembled cables and distribution components mean distribution connectors are easily inserted, so there is no more laborious wiring in junction boxes.
- Mechanical coding and color identification enable clear assignment to the power circuit for secure protection against mismatching – especially when used with the optional individual printing.



Utilization

- Simple, swift change for newly planned room divisions or extensions
- Numerous system partners bring future security
- Locking latches for solid, secure component connections



Maintenance

- The **WINSTA**® Pluggable Connection System is based on maintenance-free spring pressure connection technology.
- **WINSTA**® MIDI features thoughtfully designed test ports that enable testing when plugged in.
- Color coding, e.g., for plugs or distribution connectors, enables fast power circuit identification.



Conversion/Modernization

- The electrical installation can be flexibly reconfigured or extended, adapting readily to individual requirements.
- Energy-efficient, sustainable products for room automation, for example, can be integrated into a **WINSTA**® installation for renovations or other conversions.
- Minimized downtimes for maintenance processes (e.g., for exchanging lights).

Perfectly Plugged Applications

WINSTA® Building Applications

Every family within the **WINSTA®** system features an extremely broad product portfolio to meet the power supply and signal transmission requirements of modern buildings. Individual components including plugs, sockets, distribution connectors, cable assemblies and boxes with pluggable outputs provide all you need for fast and easy electrical installations.

Additionally, the **WINSTA®** MINI and MIDI families with coding B offer various mechanical and optical coding options for clearly identifying different circuits, while allowing bus signals to be distributed via pluggable connections.



Raised-Floor Box

- IDC flat cables provide power supplies to raised-floor boxes.
- For each type of supply, a flat cable line is installed in the raised floor and fed via supply modules.
- Tap-off is performed via a cable assembly that is protected against mismatching.
- Floor boxes come with integrated snap-in connectors.

Cable Duct

- Power supply distribution to a 230 V mains is performed using a pre-assembled **WINSTA®** Distribution Box.
- Power outputs are plugged into trunking outlets via pre-assembled interconnecting cables with integrated **WINSTA®** Plugs and Sockets.

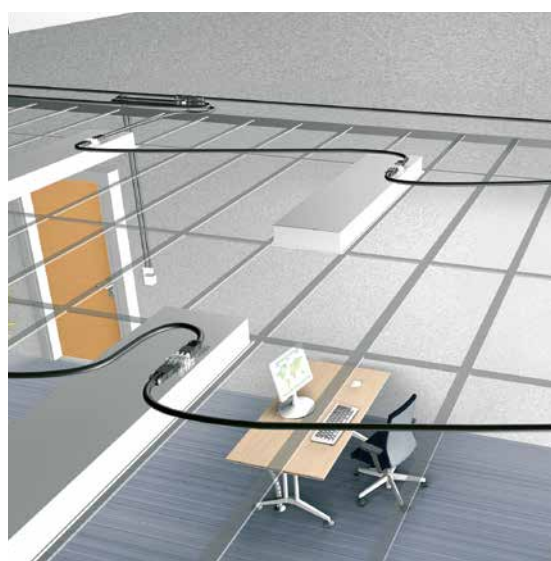


iStock.com/Johnny Greig



Sunblind Control

- A connecting cable supplies the **WINSTA**® Distribution Box for sunblind control.
- The sunblinds can also be operated via switches, as a user may expect.
- The distribution box connectors are protected against mismatching.
- The application is pre-assembled to save installation time and expedite system expansion.



Lighting

- The ceiling lights are connected to the distribution box via Linect® T-Connectors and **WINSTA**® Cable Assemblies.
- The circuit is flexible, quick to set up and can readily adapt to new requirements using the pluggable connection system.
- Linect® lights can be installed and removed just as quickly.

Perfectly Plugged Applications

WINSTA® Applications in Other Industries

Ships

Pluggable connection of smoke detectors, balcony door contacts, speakers and lights expedite electrical installation.



@gilles_lougassi/Fotolia.com



@06photo/Fotolia.com

RVs

Electric power and lighting for the interior – benefit from fast, safe and faultless installation.

Trains

Plug & Play components support on-schedule completion and quick component replacement using pluggable outlets, displays, internal circuits, door contacts, speakers and lighting.



iStock.com/ fallbrook



iStock.com/ kirza



@Photocreo Bednarek/Fotolia.com

Elevators

Simplified installation and maintenance thanks to pluggable connections for electric power and lighting in the compartments

Shops and Trade Shows

Flexible installation that optimally provides electricity and lighting to temporary structures, or those that are frequently modified



@mahofotolia.com



Device Connection at Home

Ignition fans for pellet heating, connection of room control devices, electrical and lighting installation for integrated room systems

Devices and systems in homes and other private buildings have to be started and disconnected quickly and easily. This can be done at any time via touch-proof **WINSTA®** Pluggable Connectors.

Perfectly Plugged Applications

WINSTA® Applications in Other Industries

Retail Centers

Within electrical and lighting installations in consumer electronics stores, home improvement centers, supermarkets and other high-traffic environments, pluggable electrical installation is the gold standard.



Device Connection for Industrial Applications

Control systems, single-room controllers, presence detectors, empty bottle return machines and more

Manufacturers of industrial devices and systems are faced with a number of challenges. **WINSTA®** snap-in device connection permits fast, safe and error-free commissioning.

Customer Applications



Lanfer Automation

The company completely renovated its headquarters, targeting greater energy efficiency through innovative automation technology. The installation yielded additional benefits, because using the bus technology



meant no multiple lines had to be laid. As an additional benefit, **WINSTA**® simplified the connections between systems and devices

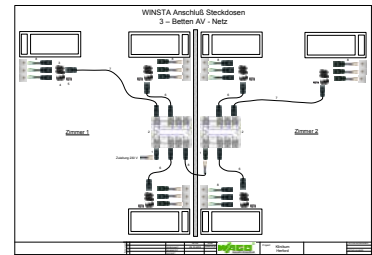


Zinser Fashion House

The Zinser Fashion House was completely modernized in a very short time, without interrupting operations. Instead of individually wiring 2000 lights per floor, only



30 to 35 **WINSTA**® Boxes had to be wired in each story, leaving only the lights to be plugged in.



Herford Hospital

The clinic decided to use **WINSTA**® for the electrical wiring of the new, one- and two-bed patient rooms. For the installation of sockets on patient beds, a concept that enabled simple pre-assembly was designed. The corridor lighting in the hospital was implemented with

the pluggable connection system, resulting in 70% less effort and 30% lower costs.



Münster Municipal Theater

The Münster municipal theater was the first theater constructed in Germany after World War II. As part of its renovation, the illuminated seat numbering was modernized using **WINSTA**® Pluggable Connectors.

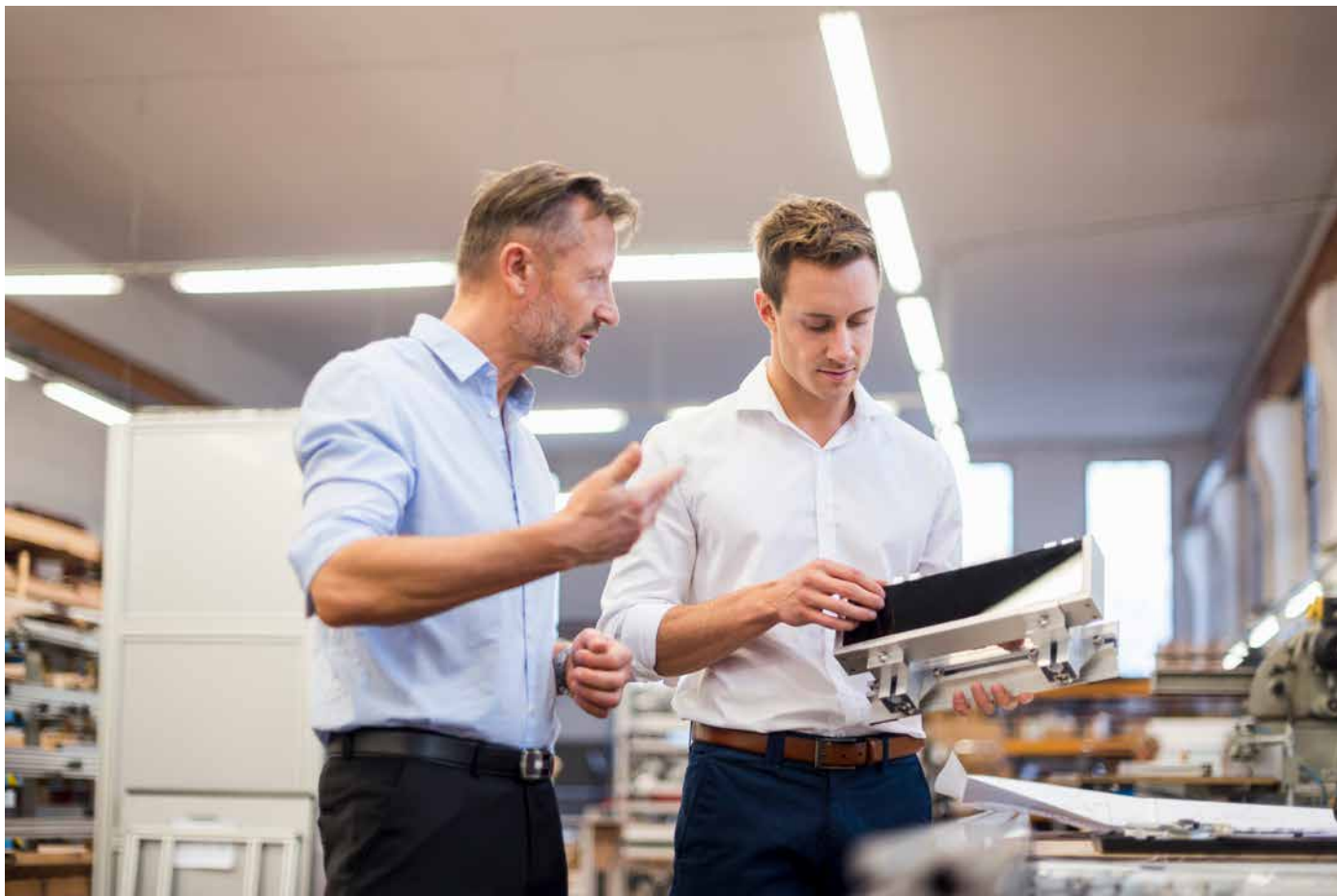
The emergency lighting was also revamped using **WINSTA**® MINI. The results simply sparkle.

WINSTA® – System Partners

Pluggable, End-to-End Design and Installation

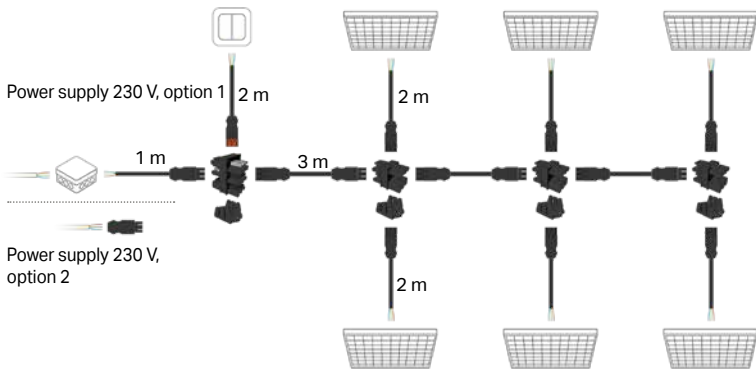
The core advantage of the **WINSTA®** Pluggable Connection System is in the time it saves. Electrical designers save time, especially when they can quickly and neatly create complete electrical plans the installers can use to build complete electrical systems on the construction site. The job is done on time and without a hitch!

With **WINSTA®** and the connected system partners, a coherent and consistent electrical design is seamlessly implemented and realized from supply to the "last mile"; that is, the interfaces to the fixed installation, such as lights or sockets.



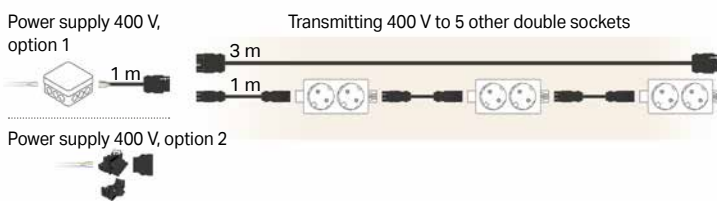
- All system partners maintain catalog articles with **WINSTA®** Pluggable Connection Technology.
- The system partner program covers all building installation interfaces, right to the end user.
- Manufacturers that carry the **WINSTA®** system partner logo equip their complementary products with the original WAGO Connection Technology and WAGO Pluggable Connectors.

Please feel free to contact us if you would like to have further information about our local **WINSTA®** system partners!



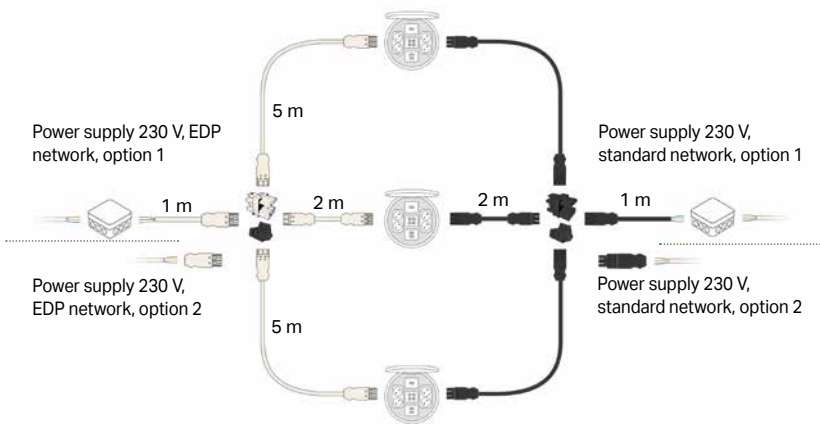
Lighting Fixtures

- Major time savings, since the plugs are already mounted at the factory.
- Also available for LED lights



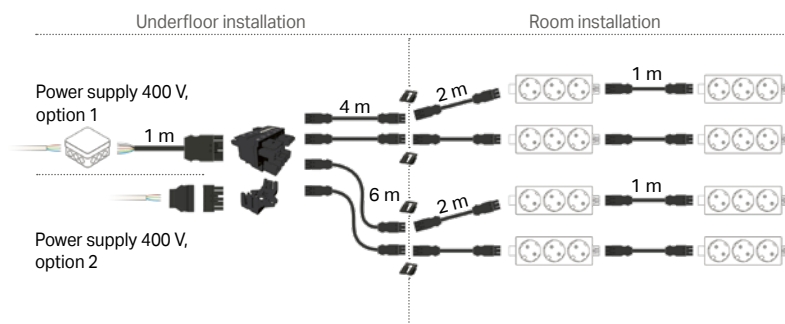
Switches/Socket/Cable Ducts

- As one example, with **WINSTA**®, cable duct elements can be preassembled by the meter and installed on the construction site with just a few easy steps.



Underfloor

- Our system partners' underfloor boxes are available with either a handy, short connecting cable or a snap-in plug.



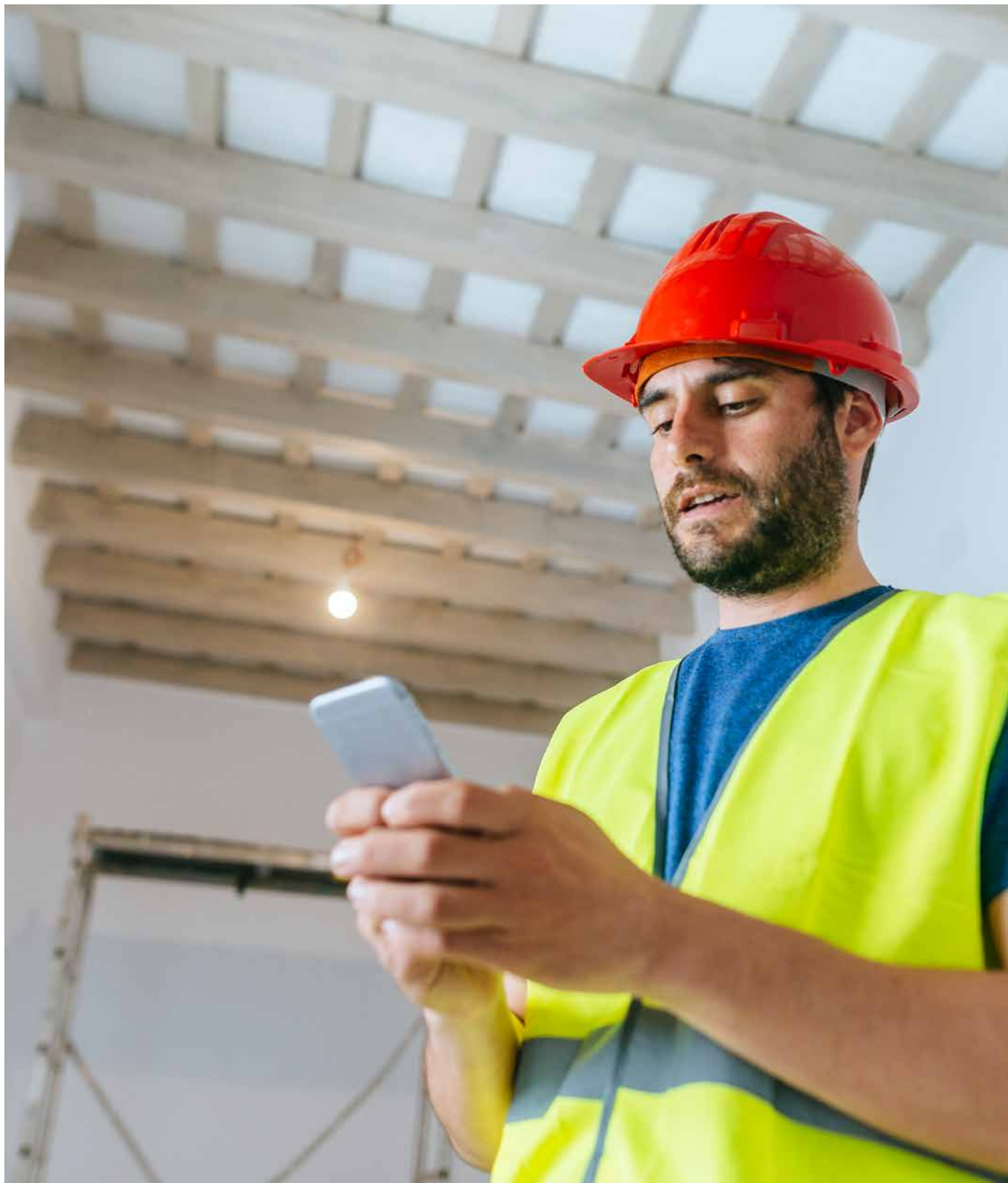
Workstation

- Workplace installations must be flexible – with **WINSTA**®, the ideal connections are a given.
- **WINSTA**® system partners offer a comprehensive range of functional, design-optimized complementary products.

WINSTA® in the Context of the Construction Product Regulation (CPR)

Background

Cables that are permanently installed in structures fall under the European CPR. They are classified into uniform fire classes according to their reaction to fire. The requirements are described in the harmonized standard hEN 50575:2014. Device connection cables that are directly connected to a load are an exception. All other cables must bear a CE conformance mark according to the CPR and a declaration of performance.



What does this mean for the **WINSTA®** Pluggable Connection System?

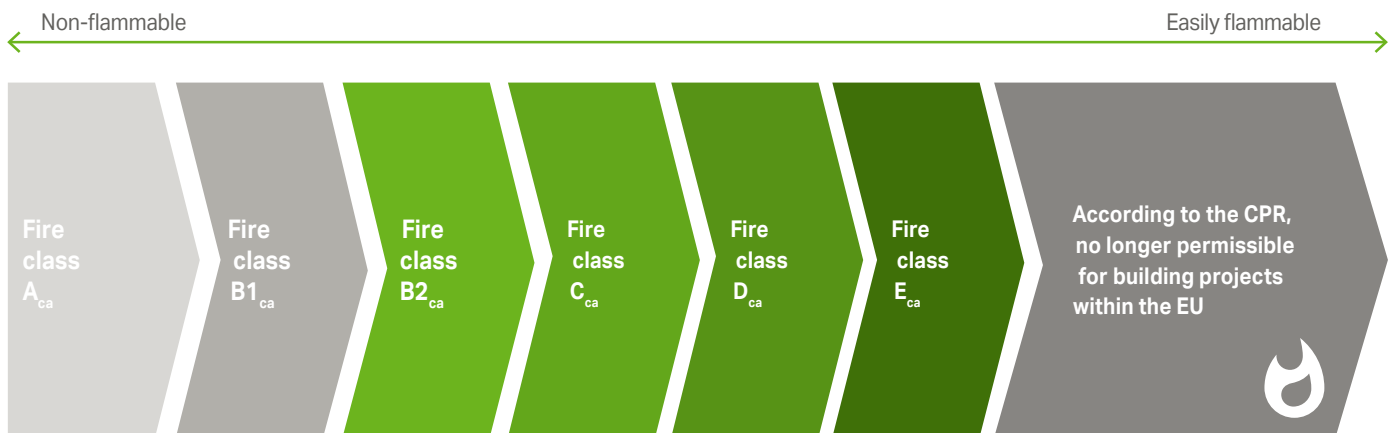
WAGO supplies cable assemblies within the **WINSTA®** product range. These cable assemblies are construction product-compliant, as they are designed according to standards for permanent installation in buildings, but are not covered by a uniform standard under the CPR. The scope of hEN 50575 only includes raw cables, not finished cables or cable assemblies. Thus, WAGO itself cannot issue any CE marking according to the CPR or declaration of performance!

What safety does WAGO offer in the event of fire?

The numbers from various statistics clearly show that one of the most common causes of death in fires is exposure to toxic gases and smoke. To counteract this, we have offered halogen-free cable types for the **WINSTA®** System for some time.

Always on the safe side – with **WINSTA®**!

The cables in the catalog range now already meet the requirements of the CPR and have been tested accordingly. Articles of higher fire classes (B_{2ca} and C_{ca}) are available on our E-Shop.





FAQ – Planning

Which room installation applications can be realized with the **WINSTA®** plug-in convenience?

WINSTA® means versatility for the widest range of applications. With the diverse product types, it is possible to install the energy supply for lights with widely varying switching types through cable ducts or underfloor systems via floor boxes, as well as dimming and shade control via pluggable installation connectors. Integrating bus systems such as DALI for dimming functions or SMI to control shading is uncomplicated; the same applies to the necessary sensors.

Is **WINSTA®** intended for applications in open or easily accessible areas?

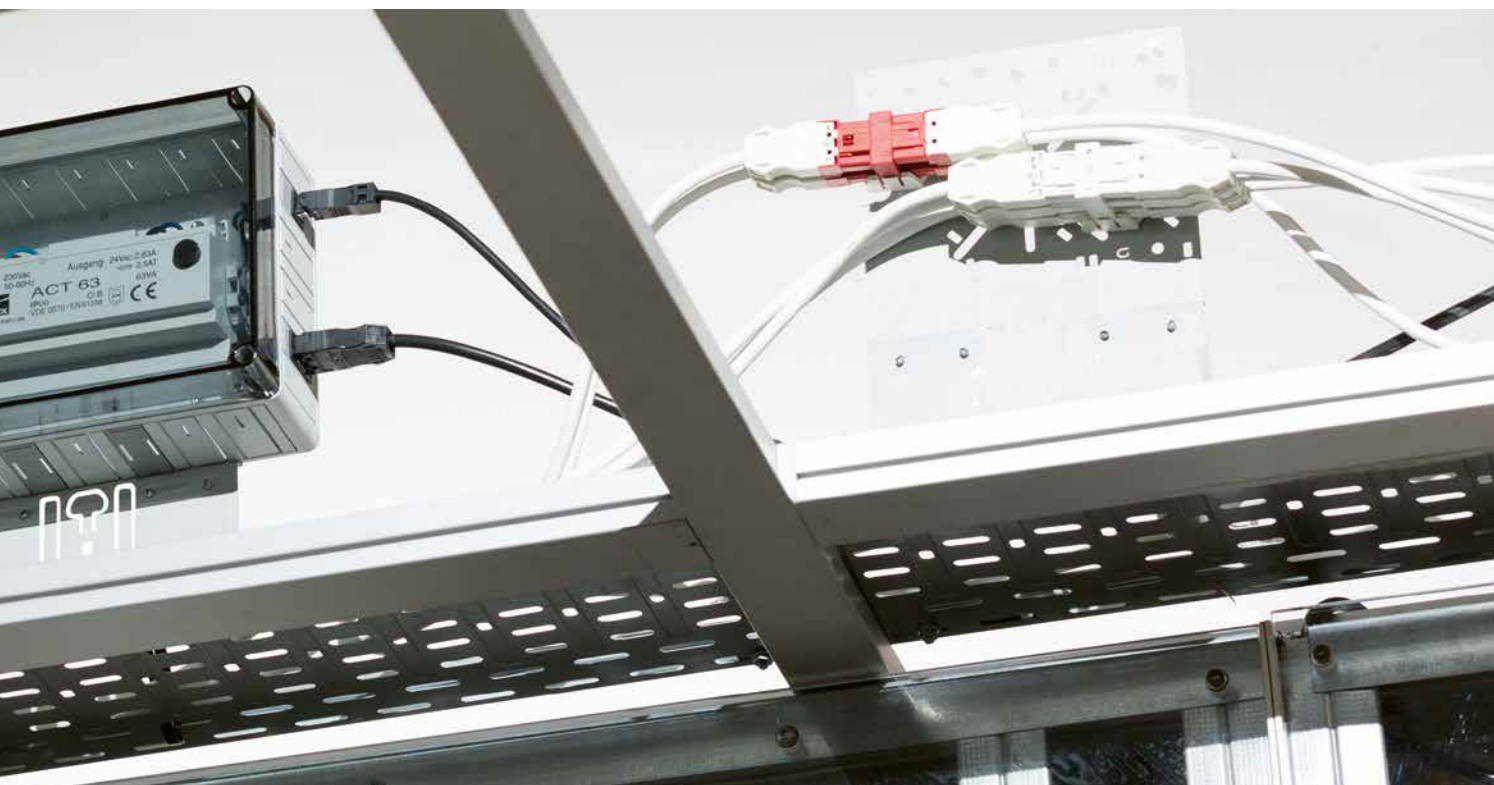
Specialty products are available for this application (see page 175).

How flexible is the **WINSTA®** System when it comes to design/installation changes?

In functional buildings, modules can be added to the **WINSTA®** System at any time. If the intended room use changes, the installation is adapted or retrofitted quickly and error-free. With Plug & Play connection, both pre-assembled wiring and loads can be exchanged with just a few deft moves. All **WINSTA®** products can be reused to conserve resources.

Is the **WINSTA®** System maintenance-free?

Of course; the **WINSTA®** Pluggable Connection System is based on maintenance-free spring pressure connection technology. Many of the components feature Push-in CAGE CLAMP® for conductor terminations; thus, for example, even solid conductors can be simply pushed into unit.



Does WAGO recommend which coding and color to use for which application?

Due to the different applications, WAGO recommends using specific mechanical codings and colors:

Application	Coding	Connector Color
General network applications	A	Black, white
EPD or UPS applications	P	Red
Controlled lighting, DALI	I	Blue
Emergency power applications	L	Dark gray
Switch function	S	Brown
Control or other mains applications	B	Gray
Controlled shading/dimming; e.g., via SMI	B	Pink
Low voltages	B	Light green

Are distribution boxes with WINSTA® components available?

Yes. WAGO offers a variety of distribution boxes with different functions, like DALI Bus, KNX applications, sunblind control and more – completely ready for connection with WINSTA® Pluggable Connectors.

Where can WINSTA® be installed?

Essentially, the provisions outlined in VDE 0100 must always be observed. Pluggable installation connectors like WINSTA®, approved per IEC 61535, find use in prefabricated buildings, hollow spaces such as double floors or suspended ceilings; cable carrying, routing or ducting systems; in showrooms, separation walls and all similar applications.

FAQ – Service

How does WAGO support me during the design of building installation and automation?

WAGO's project service offers a very high level of support to help you through even the most complex and demanding installations. You can contact the project service by email under: info.projektplanung.de@wago.com.

Are there planning templates to get started?

WAGO has compiled planning examples for some applications; they are presented in our planning brochure with an appropriate parts list (www.wago.com/winsta). With **WINSTA**[®], these resources provide solid orientation that can be easily adapted to the individual project requirements – especially in the start phase.

FAQ – Installation

Is the **WINSTA**[®] Connection System truly a universal solution for building applications that allows devices with conventional field-wiring terminal blocks to be integrated into the installation?

In addition to cooperation with system partners who have access to their products via a direct **WINSTA**[®] interface, the **WINSTA**[®] System offers flexible and independent solutions such as connecting cables with open cable ends for pre-assembly on site. This means devices and loads can always be integrated into a **WINSTA**[®] installation.

What key advantages does **WINSTA**[®] offer for wiring?

Using the **WINSTA**[®] Pluggable Connection System cuts on-site connection time for installers to an absolute minimum. Thus, whenever a project calls for electrical installation, the wiring is simple, fast and on time, every time. **WINSTA**[®] also offers a multitude of mechanical codings and colors to protect against mismatching that virtually eliminate installation errors.

Who is permitted to install products from the **WINSTA**[®] Series on the construction site?

Only qualified electricians or appropriately instructed personnel may install pluggable installation connectors from the **WINSTA**[®] Series.

What needs to be considered for the transition from NYM cables for permanent installation to pluggable installation using flexible cables?

Flexible cables must be protected against excessive loads from tension, pressure, abrasion, twisting and kinking, particularly at device inlets and the transition point to the fixed installation. With **WINSTA**[®] Connectors, the transition point from NYM to **WINSTA**[®] can be defined and connected directly on site. This transition area must be correspondingly secured and protected from excessive bending stress. In addition, all terminals must be protected against shear and tensile stress.

FAQ – Security

How does **WINSTA**® accommodate differentiating/identifying individual power circuits?

Of course, flexible marking is part of a flexible connector system. This is why **WINSTA**® also offers custom solutions. Components with coding B from the **WINSTA**® MINI and **WINSTA**® MIDI families can be variably printed, to explicitly identify the specific power circuit they are assigned to. With clever accessories, further possibilities emerge.

Are the pluggable connectors secure and protected against accidental disconnection?

All products intended for permanent installation (e.g., distribution boxes, snap-in variants, PCB variants) are fitted with locking latches at the factory, so every plugged connection is securely locked. Locking latches can be attached to pre-assembled cables for "flying leads" at any time.

Is **WINSTA**® suitable for outdoor installations?

The **WINSTA**® System is approved up to protection class IP20; thus, **WINSTA**® shall not be used for outdoor installations.

Is the **WINSTA**® System protected against accidental contact?

All components of the **WINSTA**® System are protected against accidental contact, providing maximum safety.

FAQ – Regulations, Standards and Guidelines

To which regulations must I orient myself for installations with **WINSTA**®?

WINSTA® is primarily approved per IEC 61535 (VDE 0606-200) – the product standard for pluggable installation connectors intended for permanent connection in mounted installations. When installing **WINSTA**® products, the DIN VDE 0100 specifications must be followed.

Can **WINSTA**® be used in low-voltage range applications?

Compliance of **WINSTA**® products with the low-voltage directive is verified by the CE approval.

What must be accounted for when connecting a cable with reduced cross section to an underfloor box (e.g., via IDC tap-off module)?

The minimum cable cross section must be adapted to the connected load. More protection measures are only required if the cable with the reduced cross section is longer than 3 m; see VDE 0100 – 430.

Can two electrical circuits (even those with different voltages) be routed in one connector/cable?

According to VDE 0100 Part 520, this is acceptable when the connector, or all of the wire insulation present in the cable line is rated for the maximum voltage applied.

What needs to be considered for an installation requiring increased fire protection?

When using pluggable connector systems, the conduit selected has a significant impact on building protection, thus safeguarding the inhabitants and users. Cables and conduits fall under the Construction Product Regulation (CPR). Their performance in the event of fire is described by the fire class feature. In the **WINSTA**® product range, WAGO also carries cables suited for higher fire classes (B2_{ca} and C_{ca}) that are available in our eShop.








WAGO Pluggable Connection System *WINSTA*® MINI

WAGO Pluggable Connection System WINSTA® MINI ▶ 890, 891 Series

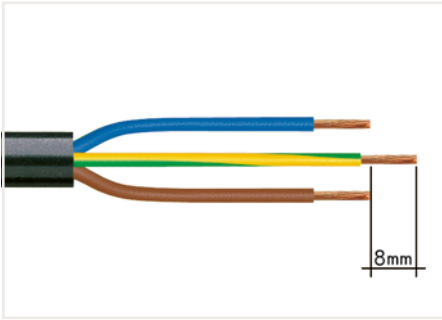
1.5 mm² / 16 A

- Note:**
- Installation connectors are designed for connection and disconnection while not under load.
 - There is no hazard-inducing interchangeability with systems based on IEC 60309, IEC 60320, IEC 60906 and with national connector and socket systems.
 - Compliance with the standards (IEC 61535) does not guarantee hazard-preventing, non-interchangeability with installation connector systems from various manufacturers.
 - Installation connector systems are not a substitute for residential connector/socket systems.
 - B-Coded components from the WINSTA® MINI series are designed for specialty applications (e.g., measurement, control and regulation technology) and certified per DIN EN 61984.
 - WINSTA® MINI Connectors are not intended for installation in open or easily accessible areas.

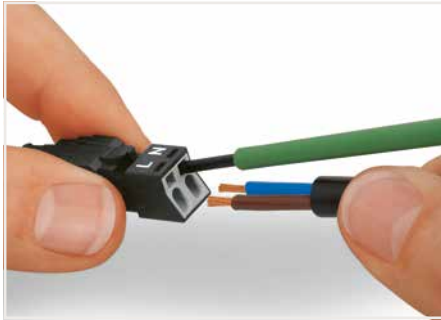
	Page	
	Pluggable Connectors, 890 Series	
	2-pole	28
	3-pole	52
	4-pole	74
	5-pole	96
	Snap-In Device Connectors, 890 Series	
	2-pole	32
	3-pole	56
	4-pole	78
	5-pole	100
	Pluggable PCB Connectors, 890 Series	
	2-pole	34
	3-pole	58
	4-pole	80
	5-pole	102
	Distribution Connectors, 890 Series	
	2-pole	38
	3-pole	62
	4-pole	84
	5-pole	106
	Cable Assemblies, 891 Series	
	2-pole	42
	3-pole	66
	4-pole	90
	5-pole	110

WINSTA® MINI ▶ 890, 891 Series Installation

1



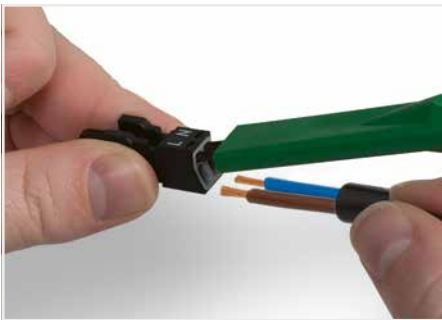
1. Strip length, outer insulation = x mm ❶
2. Strip length = 9 mm
3. Extended ground conductor = 8 mm



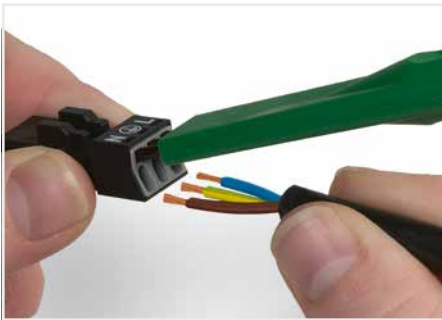
To terminate fine-stranded conductors, open the clamping unit via screwdriver (2.5 mm blade width) and insert a stripped conductor until it hits backstop. Terminate solid conductors by simply pushing them in.



Latch wired connector onto the base of the strain relief housing.



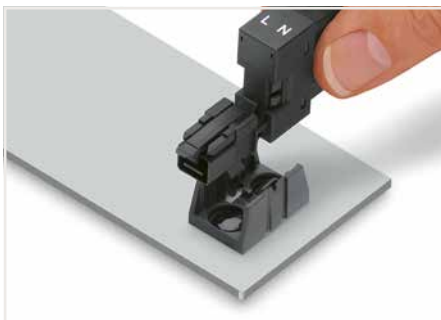
To terminate fine-stranded conductors, open clamping units via operating tool (890-382) and insert stripped conductors until they hit backstop. Terminate solid conductors by simply pushing them in.



To terminate fine-stranded conductors, open clamping units via operating tool (890-383) and insert stripped conductors until they hit backstop. Terminate solid conductors by simply pushing them in.



Secure the mounting plate via pins.



The distribution connectors snap together when attached to the mounting plate.



All connectors for mounted installations (snap-in versions, pluggable PCB connectors, distribution connectors) are factory-equipped with locking levers to ensure plugs and sockets are securely locked. Additional locking levers are only required for "flying leads" (plug/socket).

❶ Strip length, outer insulation: 2-pole = 32 mm, 3-pole = 40 mm, 4- and 5-pole = 45 mm

PUSH-IN CAGE CLAMP®

1



Push down strain relief clamp by hand.



Push down strain relief clamp via 2.5 mm screwdriver alternately on both sides.



Latch the top of the strain relief housing.



The printed marking of the connector is clearly visible in the openings of the strain relief housing.



Connector with shield termination



Apply the shield to the rubber cable.
Strip length, outer insulation = 40 mm
Shield length = 8 mm



Push the shield connecting plate into the connector until fully inserted.



First insert the wired connector into strain relief housing, then snap clamp and cover.

WINSTA® MINI □ Coding: B □ 890, 891 Series

Description and Installation

1



Gray, B-coded connector with "3 2 1" marking, e.g., control signal (A circuit)



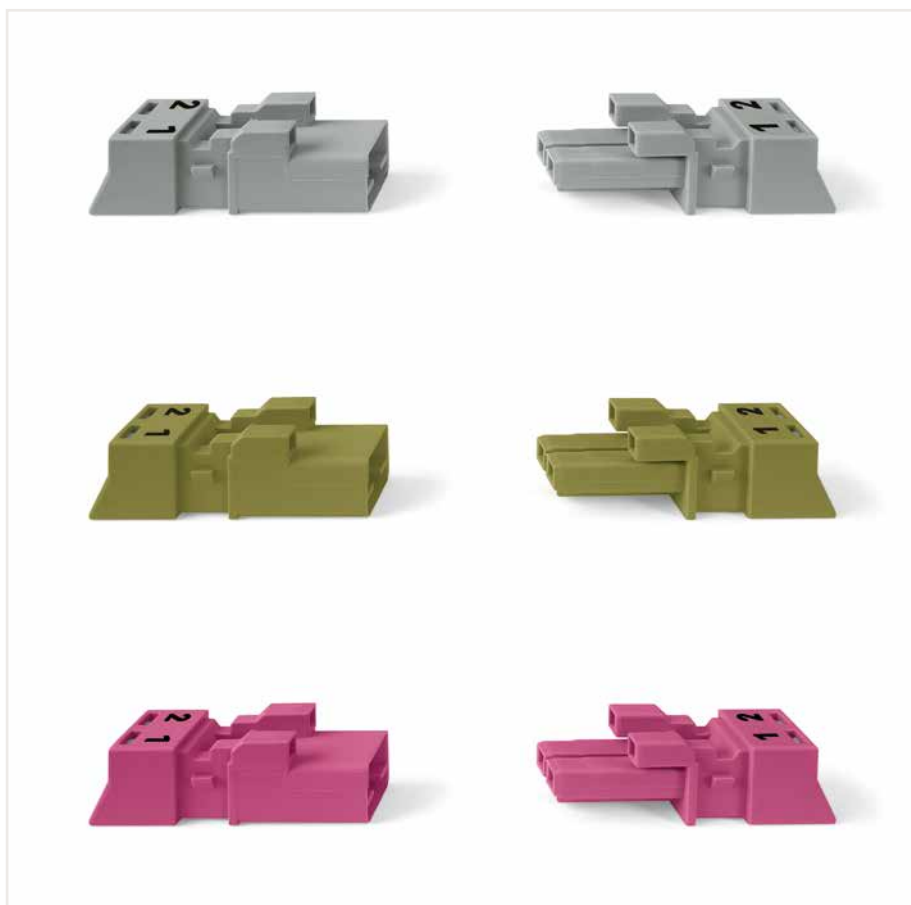
Easy circuit identification via different marking and colors



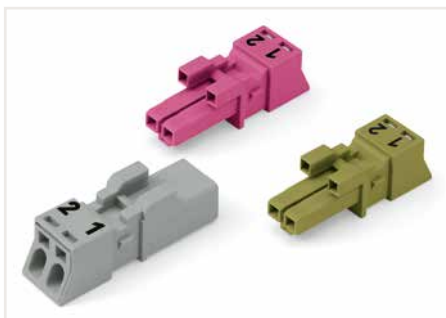
B-coded connectors (shown in gray) not only differ in color, but also in their design, making them incompatible with other coded connectors.



Light green, B-coded connector with "3 2 1" marking, e.g., DC power supply (24 V circuit)



Pink, B-coded connector with "3 2 1" marking, e.g., control signal (B circuit)

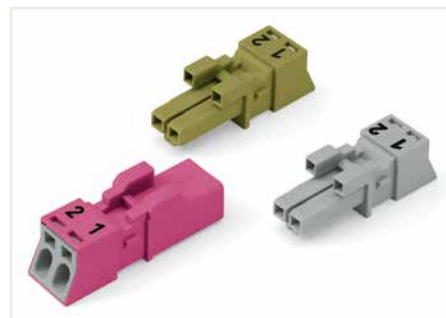


B-coded connectors with different colors can be plugged together.

Important note:

Different colors and/or pole markings are used for circuit identification.

Only connectors of the same color and same pole marking must be plugged together.



Installation notes for conductor connection, shield termination, operating tools and mounting aids for WINSTA® MINI pluggable connectors, see page 24.

Pluggable connectors ▶ WINSTA® MINI ▶ 890 Series

Pole number: 2



- Protected against mismatching and maintenance-free
- Push-in CAGE CLAMP® spring pressure connection technology for direct termination of solid conductors
- Low profile with 4.4 mm pole spacing
- When assembled, the installation connectors comply with IP40 and are suitable for easily accessible areas.

Electrical data			
Coding	A; B; I		
Ratings per	IEC/EN 60664-1		
Overvoltage category	III	III	II
Pollution degree	3	2	2
Nominal voltage	250 V	-	-
Rated surge voltage	4 kV	-	-
Rated current	16 A	-	-
Connection data			
Connection technology	Push-in CAGE CLAMP®		
Strip length	9 mm / 0.35 inches		
Nominal cross-section	1.5 mm ² / 16 AWG		
Solid conductor	0.25 ... 1.5 mm ² / 22 ... 16 AWG		
Solid conductor; push-in termination	0.75 ... 1.5 mm ² / 20 ... 16 AWG		
Stranded conductor	0.25 ... 1 mm ² / 22 ... 18 AWG		
Fine-stranded conductor	0.25 ... 1.5 mm ² / 22 ... 16 AWG		
Fine-stranded conductor; with insulated ferrule	0.25 ... 0.75 mm ² / 22 ... 20 AWG		
Fine-stranded conductor; with uninsulated ferrule	0.25 ... 0.75 mm ² / 22 ... 20 AWG		
Fine-stranded conductor; with ferrule; push-in termination	0.75 mm ² / 20 AWG		
Material data			
Material group	I		
Insulation material (main housing)	Polyamide (PA66)		
Flammability class per UL94	V0		
Clamping spring material	Chrome-nickel spring steel (CrNi)		
Contact material	Copper or copper alloy; surface-treated		
Contact Plating	Tin		
Mechanical data			
Number of mating cycles	200, without resistive load		
Mating force of a plug-in connection	approx. 20 ... 70 N (depending on pole number)		
Unmating force of a plug-in connection	Unlocked: approx. 20 ... 70 N (depending on pole number)		
Retention force of a plug-in connection	Locked: > 80 N		
Environmental requirements			
Processing temperature	-5 ... +40 °C		
Continuous operating temperature	-35 ... +85 °C		
Note on continuous operating temperature	Insulating parts for temperatures ≤ 105 °C		

Note:

All WINSTA® components are 100% protected against mismatching when:

- plugging different numbers of poles
- plugging while rotated 180
- plugging while laterally staggered
- plugging one pole

All connectors for mounted installations (snap-in versions for lighting fixtures or devices, all types of PCB and distribution connectors) are factory-equipped with locking levers to ensure plugs and sockets are securely locked. Additional locking levers are only required for flying leads (plug/socket).

Cover [Page 370](#)

Tool [Page 394](#)

See technical section for further information

Approvals and corresponding ratings, visit www.wago.com

Pluggable connectors ▶ WINSTA® MINI ▶ 890 Series

Pole number: 2

Female connector/socket ▶ Strain relief housing ▶ Strip length (outer insulation): 32 mm ▶ Connectable sheathed cable diameter: 3.8 ... 8.2 mm ▶ Protection type: IP40

Male connector/plug ▶ Strain relief housing ▶ Strip length (outer insulation): 32 mm ▶ Connectable sheathed cable diameter: 3.8 ... 8.2 mm ▶ Protection type: IP40



890-102

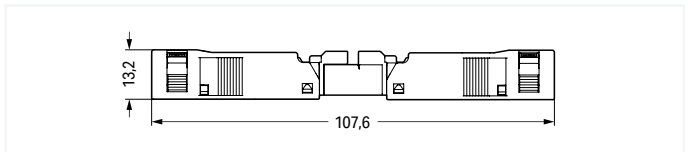
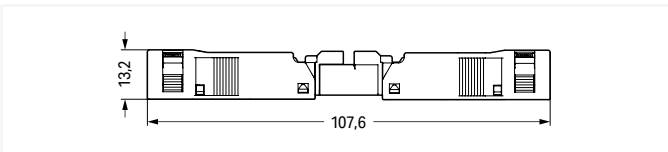
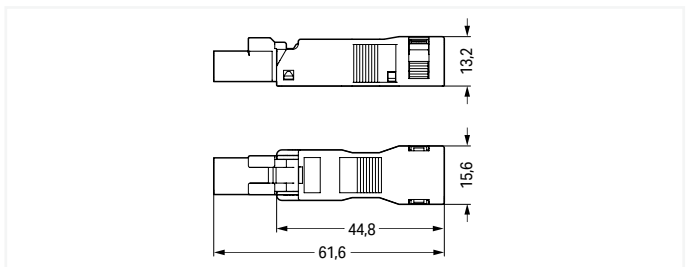
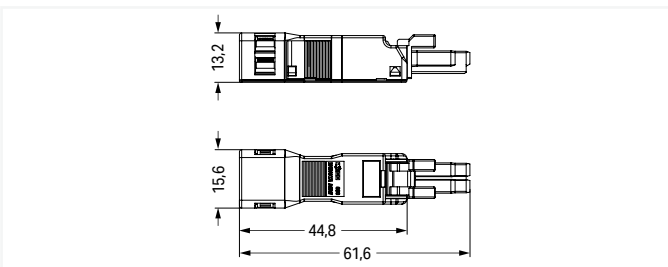
890-112

General mains applications

Color	Coding	Marking	Item No.	PU
● black	A	L N	890-102	50
○ white	A	L N	890-122	50

General mains applications

Color	Coding	Marking	Item No.	PU
● black	A	N L	890-112	50
○ white	A	N L	890-132	50



Overall length when mated

Overall length when mated

Accessories; for all products on this page



Locking lever; for flying leads; manually operated

Color	Item No.	PU (SPU)
● black	890-101	100 (50)
○ white	890-121	100 (50)



Locking lever; for flying leads; tool operated

Color	Item No.	PU (SPU)
● black	890-111	100 (50)
○ white	890-131	100 (50)



Operating tool; 2-times

Color	Item No.	PU
● green	890-382	1



Mounting carrier; for flying leads; 2- to 5-pole

Color	Item No.	PU
● black	890-310	100
○ white	890-311	100

PU = packaging unit; SPU = subpackaging unit; Dimensions in mm

Pluggable connectors ▶ WINSTA® MINI ▶ 890 Series

Pole number: 2

Female connector/socket ▶ Strain relief housing, short version ▶ Strip length (outer insulation): 17.5 mm ▶ Connectable sheathed cable diameter: 3.8 ... 8.2 mm ▶ Protection type: IP40

Male connector/plug ▶ Strain relief housing, short version ▶ Strip length (outer insulation): 17.5 mm ▶ Connectable sheathed cable diameter: 3.8 ... 8.2 mm ▶ Protection type: IP40

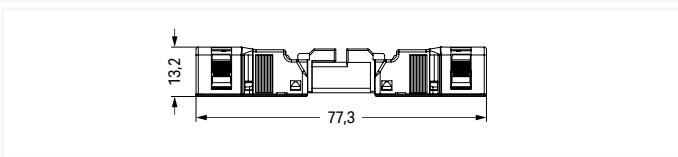
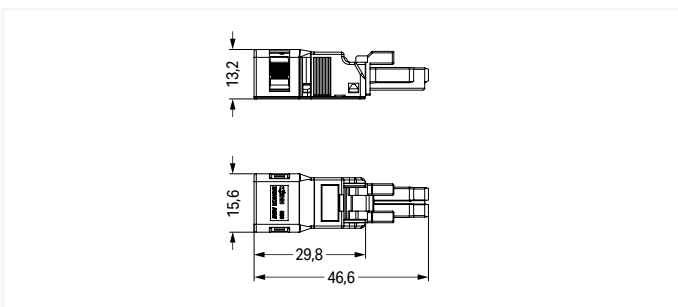


890-202/342-000



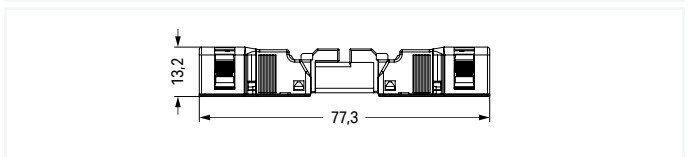
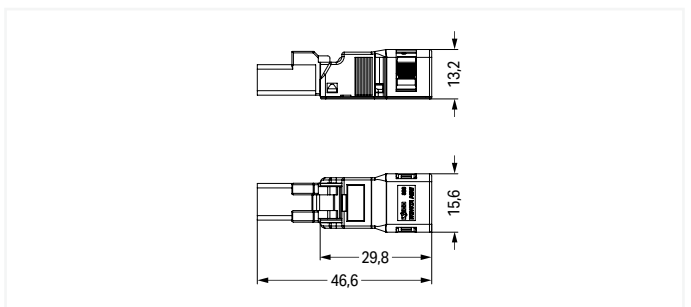
890-212/342-000

General mains applications				
Color	Coding	Marking	Item No.	PU
● black	A	L N	890-202/342-000	50



Overall length when mated

General mains applications				
Color	Coding	Marking	Item No.	PU
● black	A	N L	890-212/342-000	50



Overall length when mated

Accessories; for all products on this page



Locking lever; for flying leads; manually operated

Color	Item No.	PU (SPU)
● black	890-101	100 (50)
○ white	890-121	100 (50)



Locking lever; for flying leads; tool operated

Color	Item No.	PU (SPU)
● black	890-111	100 (50)
○ white	890-131	100 (50)



Operating tool; 2 -times

Color	Item No.	PU
● green	890-382	1



Mounting carrier; for flying leads; 2- to 5-pole

Color	Item No.	PU
● black	890-310	100
○ white	890-311	100

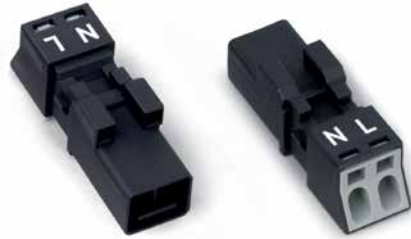
PU = packaging unit; SPU = subpackaging unit; Dimensions in mm

Pluggable connectors ▶ WINSTA® MINI ▶ 890 Series

Pole number: 2

Female connector/socket ▶ Protection type: IP20; IP40 with strain relief housing

Male connector/plug ▶ Protection type: IP20; IP40 when mated with strain relief housing



890-202

890-212

General mains applications

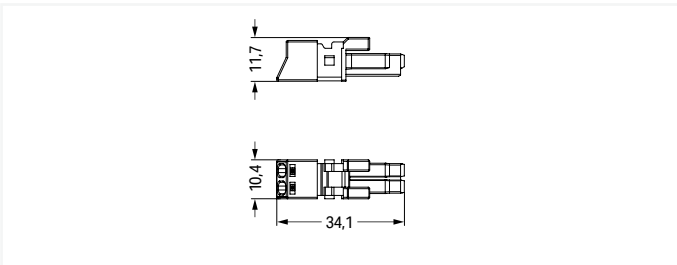
Color	Coding	Marking	Item No.	PU
● black	A	L N	890-202	50
○ white	A	L N	890-222	50

Control technology

Color	Coding	Marking	Item No.	PU
○ gray	B	1 2	890-242	50
○ gray	B	L N	890-242/060-000	50
● light green	B	1 2	890-262	50
● pink	B	1 2	890-282	50
● pink	B	I+ I-	890-282/080-000	50
● pink	B	+ -	890-282/082-000	50

DALI, Lighting Management

Color	Coding	Marking	Item No.	PU
● blue	I	+ -	890-1102	50



General mains applications

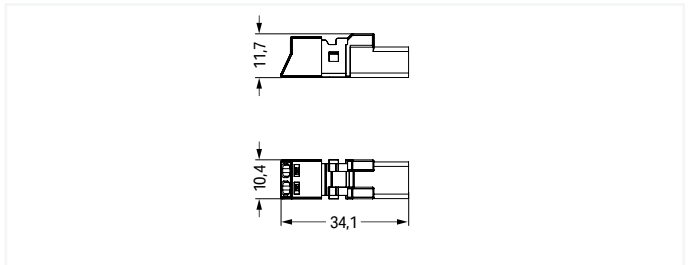
Color	Coding	Marking	Item No.	PU
● black	A	N L	890-212	50
○ white	A	N L	890-232	50

Control technology

Color	Coding	Marking	Item No.	PU
○ gray	B	2 1	890-252	50
○ gray	B	N L	890-252/060-000	50
● light green	B	2 1	890-272	50
● pink	B	2 1	890-292	50
● pink	B	I- I+	890-292/080-000	50
● pink	B	- +	890-292/082-000	50

DALI, Lighting Management

Color	Coding	Marking	Item No.	PU
● blue	I	- +	890-1112	50



Accessories; for all products on this page

Locking lever; for flying leads; manually operated

Color	Item No.	PU (SPU)
● black	890-101	100 (50)
○ white	890-121	100 (50)

Locking lever; for flying leads; tool operated

Color	Item No.	PU (SPU)
● black	890-111	100 (50)
○ white	890-131	100 (50)

Strain relief housing; Connectable sheathed cable diameter: 3.8 ... 8.2 mm; Strip length (outer insulation): 32 mm

Color	Item No.	PU
● black	890-502	50
○ white	890-512	50

Strain relief housing; Connectable sheathed cable diameter: 3.8 ... 8.2 mm; Strip length (outer insulation): 17.5 mm

Color	Item No.	PU
● black	890-502/342-000	50
○ white	890-512/342-000	50

Operating tool; 2-times

Color	Item No.	PU
● green	890-382	1

Mounting carrier; for flying leads; 2- to 5-pole

Color	Item No.	PU
● black	890-310	100
○ white	890-311	100

PU = packaging unit; SPU = subpackaging unit; Dimensions in mm

Snap-in device connector ▶ WINSTA® MINI ▶ 890 Series

Pole number: 2



- Protected against mismatching and maintenance-free
- Push-in CAGE CLAMP® spring pressure connection technology allows solid conductors to be simply pushed into a unit.
- Low profile with 4.4 mm pole spacing
- When assembled, the installation connectors comply with IP40 and are suitable for easily accessible areas.

Electrical data			
Coding	A; B; I		
Ratings per	IEC/EN 60664-1		
Overvoltage category	III	III	II
Pollution degree	3	2	2
Nominal voltage	250 V	-	-
Rated surge voltage	4 kV	-	-
Rated current	16 A	-	-

Connection data	
Connection technology	Push-in CAGE CLAMP®
Strip length	9 mm / 0.35 inches
Nominal cross-section	1.5 mm ² / 16 AWG
Solid conductor	0.25 ... 1.5 mm ² / 22 ... 16 AWG
Solid conductor; push-in termination	0.75 ... 1.5 mm ² / 20 ... 16 AWG
Stranded conductor	0.25 ... 1 mm ² / 22 ... 18 AWG
Fine-stranded conductor	0.25 ... 1.5 mm ² / 22 ... 16 AWG
Fine-stranded conductor; with insulated ferrule	0.25 ... 0.75 mm ² / 22 ... 20 AWG
Fine-stranded conductor; with uninsulated ferrule	0.25 ... 0.75 mm ² / 22 ... 20 AWG
Fine-stranded conductor; with ferrule; push-in termination	0.75 mm ² / 20 AWG

Material data	
Insulation material (main housing)	Polyamide (PA66)
Flammability class per UL94	V0
Clamping spring material	Chrome-nickel spring steel (CrNi)
Contact material	Copper or copper alloy; surface-treated
Contact Plating	Tin

Mechanical data	
Number of mating cycles	200, without resistive load
Mating force of a plug-in connection	approx. 20 ... 70 N (depending on pole number)
Unmating force of a plug-in connection	Unlocked: approx. 20 ... 70 N (depending on pole number)
Retention force of a plug-in connection	Locked: > 80 N

Environmental requirements	
Processing temperature	-5 ... +40 °C
Continuous operating temperature	-35 ... +85 °C
Note on continuous operating temperature	Insulating parts for temperatures ≤ 105 °C

Note:

The snap-in connectors must be relieved of tensile and transverse forces.

A surface finish can influence the edge radius of the cutouts. This may affect the snap-in socket fit, so ensure an adequate fit before use. In addition, the punched edge should be on the inside for punched cutouts.

The wings of the snap-in connectors must not be mechanically stressed for a long period before use (e.g., due to a pre-locking position).

All WINSTA® components are 100% protected against mismatching when:

- plugging different numbers of poles
- plugging while rotated 180
- plugging while laterally staggered
- plugging one pole

All connectors for mounted installations (snap-in versions for lighting fixtures or devices, all types of PCB and distribution connectors) are factory-equipped with locking levers to ensure plugs and sockets are securely locked. Additional locking levers are only required for flying leads (plug/socket).

Tool Page 394

See technical section for further information

Approvals and corresponding ratings, visit www.wago.com

Snap-in device connector ▶ WINSTA® MINI ▶ 890 Series

Pole number: 2

Female connector/socket ▶ Protection type: IP40

Male connector/plug ▶ Protection type: IP20; IP40 when mated



890-702

General mains applications

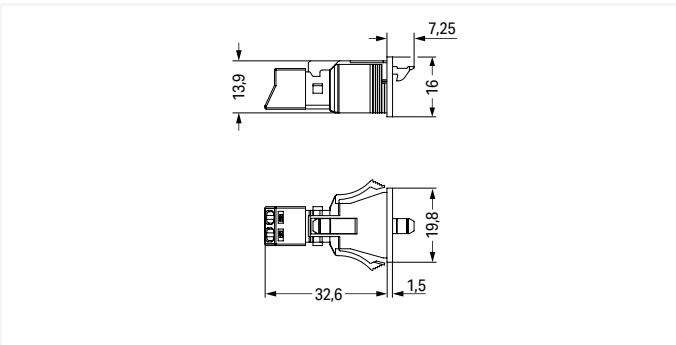
Color	Coding	Marking	Item No.	PU (SPU)
● black	A	L N	890-702	50 (50)
○ white	A	L N	890-722	50 (50)

Control technology

Color	Coding	Marking	Item No.	PU (SPU)
○ gray	B	1 2	890-742	50 (50)
○ gray	B	L N	890-742/060-000	50 (50)
● light green	B	1 2	890-762	50 (50)
● pink	B	1 2	890-782	50 (50)
● pink	B	I+ I-	890-782/080-000	50 (50)
● pink	B	+ -	890-782/082-000	50 (50)

DALI, Lighting Management

Color	Coding	Marking	Item No.	PU (SPU)
● blue	I	+ -	890-2102	50 (50)



890-712

General mains applications

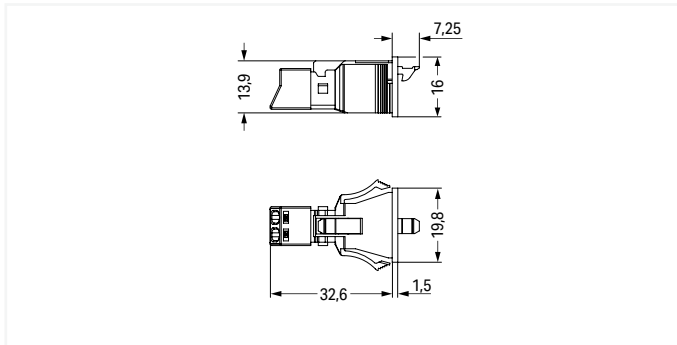
Color	Coding	Marking	Item No.	PU (SPU)
● black	A	N L	890-712	50 (50)
○ white	A	N L	890-732	50 (50)

Control technology

Color	Coding	Marking	Item No.	PU (SPU)
○ gray	B	2 1	890-752	50 (50)
○ gray	B	N L	890-752/060-000	50 (50)
● light green	B	2 1	890-772	50 (50)
● pink	B	2 1	890-792	50 (50)
● pink	B	I- I+	890-792/080-000	50 (50)
● pink	B	- +	890-792/082-000	50 (50)

DALI, Lighting Management

Color	Coding	Marking	Item No.	PU (SPU)
● blue	I	- +	890-2112	50 (50)



Accessories; for all products on this page



Operating tool; 2 -times

Color	Item No.	PU
● green	890-382	1



Lockout cap; for cutout; Pole number: 2

Color	Item No.	PU
● black	890-642	100
○ white	890-692	100

PU = packaging unit; SPU = subpackaging unit; Dimensions in mm

Pluggable PCB connector ▶ WINSTA® MINI ▶ 890 Series

Pole number: 2



- Protected against mismatching and maintenance-free
- Push-in CAGE CLAMP® spring pressure connection technology allows solid conductors to be simply pushed into a unit.
- Low profile with 4.4 mm pole spacing

Electrical data			
Coding	A; B; I		
Ratings per	IEC/EN 60664-1		
Overvoltage category	III	III	II
Pollution degree	3	2	2
Nominal voltage	250 V	-	-
Rated surge voltage	4 kV	-	-
Rated current	16 A	-	-
Material data			
Material group	I		
Insulation material (main housing)	Polyamide (PA66)		
Flammability class per UL94	V0		
Clamping spring material	Chrome-nickel spring steel (CrNi)		
Contact material	Copper or copper alloy; surface-treated		
Contact Plating	Tin		
Mechanical data			
Solder pin arrangement	2 in-line solder pins/pole		
Number of solder pins per potential	2		
Solder pin length	3.5 mm		
Solder pin dimensions	1 x 0.8 mm		
Drilled hole diameter with tolerance	1.3 ^(+0.1) mm		
Mating force of a plug-in connection	approx. 20 ... 70 N (depending on pole number)		
Unmating force of a plug-in connection	Unlocked: approx. 20 ... 70 N (depending on pole number)		
Retention force of a plug-in connection	Locked: > 80 N		
Environmental requirements			
Processing temperature	-5 ... +40 °C		
Continuous operating temperature	-35 ... +85 °C		
Note on continuous operating temperature	Insulating parts for temperatures ≤ 105 °C		

Note:

All WINSTA® components are 100% protected against mismatching when:

- a.) plugging different numbers of poles
- b.) plugging while rotated 180
- c.) plugging while laterally staggered
- d.) plugging one pole

All connectors for mounted installations (snap-in versions for lighting fixtures or devices, all types of PCB and distribution connectors) are factory-equipped with locking levers to ensure plugs and sockets are securely locked. Additional locking levers are only required for flying leads (plug/socket).

See technical section for further information

Approvals and corresponding ratings, visit www.wago.com

Pluggable PCB connector ▶ WINSTA® MINI ▶ 890 Series

Pole number: 2

Female connector/socket ▶ straight

Male connector/plug ▶ straight



1

890-802

890-812

General mains applications

Color	Coding	Marking	Item No.	PU
● black	A	L N	890-802	100
○ white	A	L N	890-822	100

Control technology

Color	Coding	Marking	Item No.	PU
○ gray	B	1 2	890-842	100
● light green	B	1 2	890-862	100
● pink	B	1 2	890-882	100

DALI, Lighting Management

Color	Coding	Marking	Item No.	PU
● blue	I	+ -	890-3102	100

General mains applications

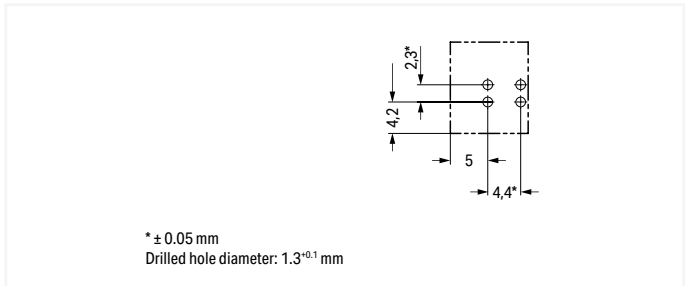
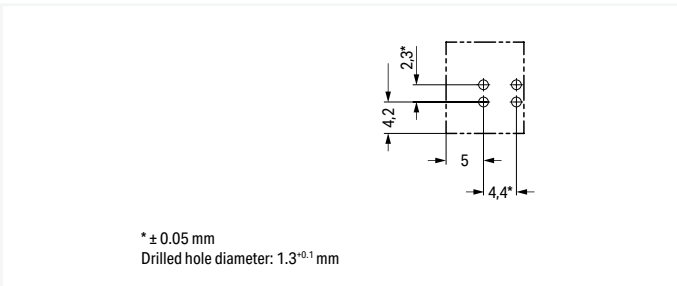
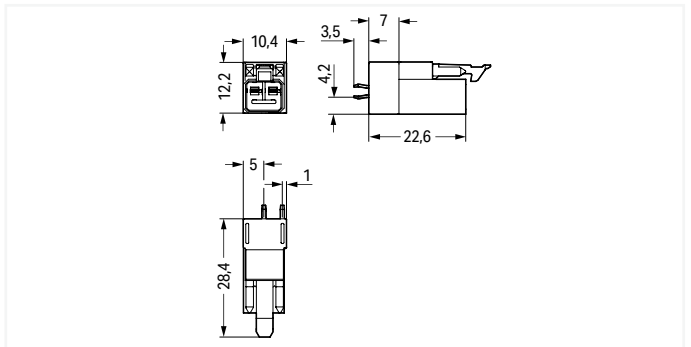
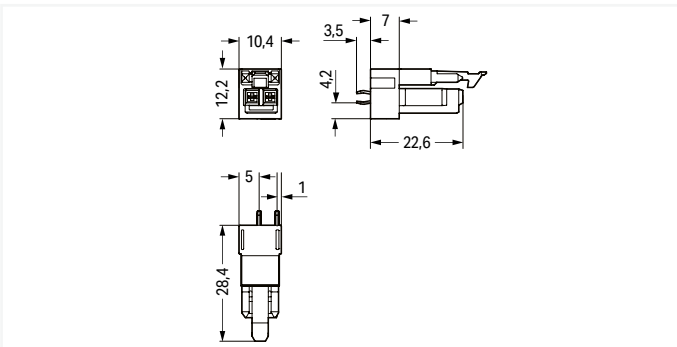
Color	Coding	Marking	Item No.	PU
● black	A	N L	890-812	100
○ white	A	N L	890-832	100

Control technology

Color	Coding	Marking	Item No.	PU
○ gray	B	2 1	890-852	100
● light green	B	2 1	890-872	100
● pink	B	2 1	890-892	100

DALI, Lighting Management

Color	Coding	Marking	Item No.	PU
● blue	I	- +	890-3112	100



PU = packaging unit; SPU = subpackaging unit; Dimensions in mm

Pluggable PCB connector ▶ WINSTA® MINI ▶ 890 Series

Pole number: 2

Female connector/socket ▶ angled

Male connector/plug ▶ angled

1



890-802/011-000

890-812/011-000

General mains applications

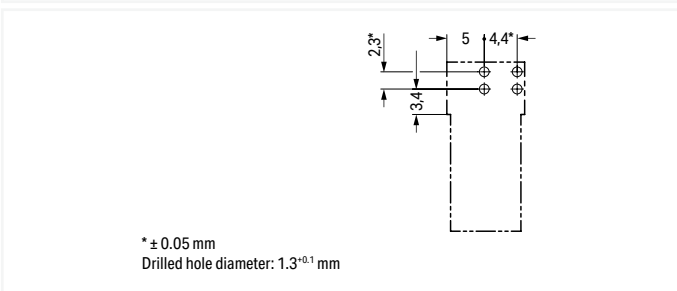
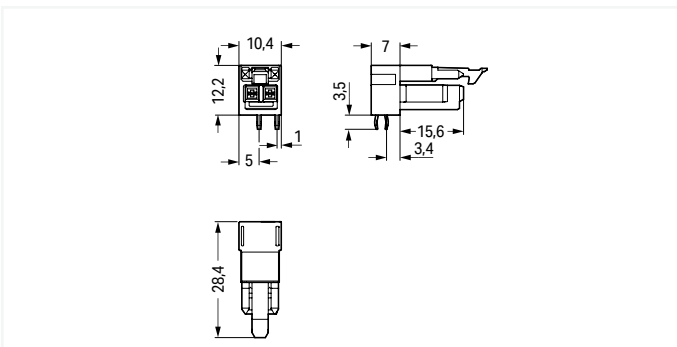
Color	Coding	Marking	Item No.	PU
● black	A	L N	890-802/011-000	100
○ white	A	L N	890-822/011-000	100

Control technology

Color	Coding	Marking	Item No.	PU
○ gray	B	1 2	890-842/011-000	100
● light green	B	1 2	890-862/011-000	100
● pink	B	1 2	890-882/011-000	100

DALI, Lighting Management

Color	Coding	Marking	Item No.	PU
● blue	I	+ -	890-3102/011-000	100



General mains applications

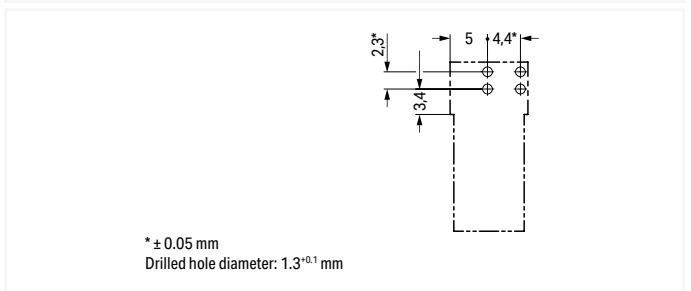
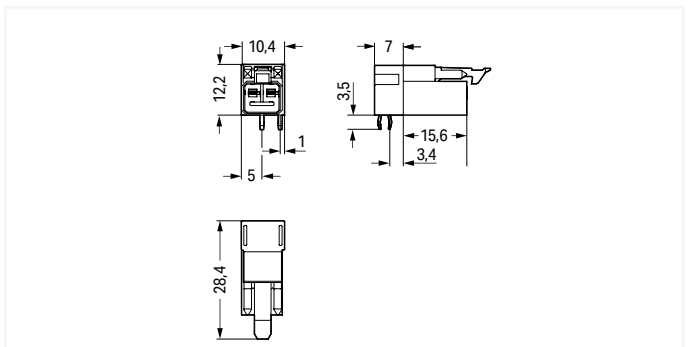
Color	Coding	Marking	Item No.	PU
● black	A	N L	890-812/011-000	100
○ white	A	N L	890-832/011-000	100

Control technology

Color	Coding	Marking	Item No.	PU
○ gray	B	2 1	890-852/011-000	100
● light green	B	2 1	890-872/011-000	100
● pink	B	2 1	890-892/011-000	100

DALI, Lighting Management

Color	Coding	Marking	Item No.	PU
● blue	I	- +	890-3112/011-000	100



PU = packaging unit; SPU = subpackaging unit; Dimensions in mm

Distribution connector ▶ WINSTA® MINI ▶ 890 Series

Pole number: 2 ▶ Protection type: IP20; IP40 when mated

1



- Protected against mismatching and maintenance-free
- Low profile with 4.4 mm pole spacing

Electrical data			
Coding	A; B; I		
Ratings per	IEC/EN 60664-1		
Overvoltage category	III	III	II
Pollution degree	3	2	2
Nominal voltage	250 V	-	-
Rated surge voltage	4 kV	-	-
Rated current	16 A	-	-
Material data			
Material group	I		
Insulation material (main housing)	Polyamide (PA66)		
Flammability class per UL94	V0		
Contact material	Copper or copper alloy; surface-treated		
Contact Plating	Tin		
Mechanical data			
Number of mating cycles	200, without resistive load		
Mating force of a plug-in connection	Approx. 20 ... 70 N (depending on pole number)		
Unmating force of a plug-in connection	Unlocked: approx. 20 ... 70 N (depending on pole number)		
Retention force of a plug-in connection	When locked: > 80 N		
Protection type	IP20		
Note on protection type	IP40 when mated		
Number of inputs	1		
Environmental requirements			
Processing temperature	-5 ... +40 °C		
Continuous operating temperature	-35 ... +85 °C		
Note on continuous operating temperature	Insulating parts for temperatures ≤ 105 °C		

Note:

All WINSTA® components are 100% protected against mismatching when:

- plugging different numbers of poles
- plugging while rotated 180
- plugging while laterally staggered
- plugging one pole

All connectors for mounted installations (snap-in versions for lighting fixtures or devices, all types of PCB and distribution connectors) are factory-equipped with locking levers to ensure plugs and sockets are securely locked. Additional locking levers are only required for flying leads (plug/socket).

See technical section for further information

Approvals and corresponding ratings, visit www.wago.com

Distribution connector ▶ WINSTA® MINI ▶ 890 Series

Pole number: 2 ▶ Protection type: IP20; IP40 when mated

T-distribution connector ▶ Number of locking levers: 2

T-distribution connector ▶ Number of locking levers: 3 ▶ for flying leads



1

890-1606

General mains applications

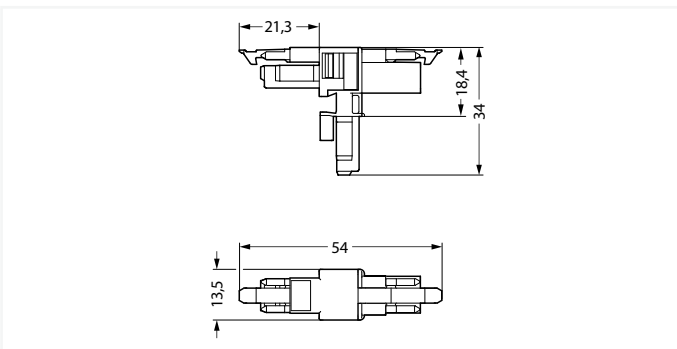
Color	Coding	Marking	Item No.	PU
● black	A	L N	890-1606	25
○ white	A	L N	890-1656	25

Control technology

Color	Coding	Marking	Item No.	PU
○ gray	B	1 2	890-1601	25
● light green	B	1 2	890-1602	25
● pink	B	1 2	890-1603	25

DALI, Lighting Management

Color	Coding	Marking	Item No.	PU
● blue	I	+ -	890-1617	25



General mains applications

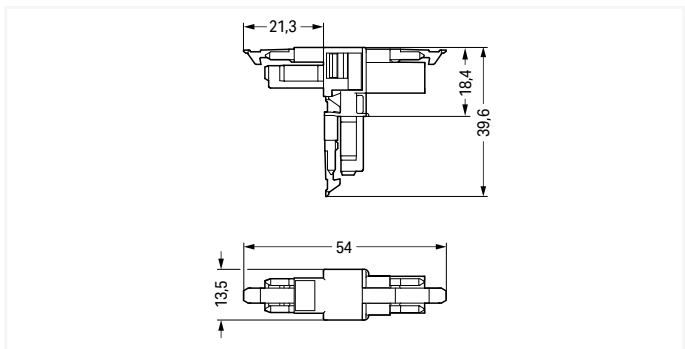
Color	Coding	Marking	Item No.	PU
● black	A	L N	890-1615	25
○ white	A	L N	890-1665	25

Control technology

Color	Coding	Marking	Item No.	PU
○ gray	B	1 2	890-1701	25
● light green	B	1 2	890-1702	25
● pink	B	1 2	890-1703	25

DALI, Lighting Management

Color	Coding	Marking	Item No.	PU
● blue	I	+ -	890-1620	25



PU = packaging unit; SPU = subpackaging unit; Dimensions in mm

Distribution connector ▶ WINSTA® MINI ▶ 890 Series

Pole number: 2 ▶ Protection type: IP20; IP40 when mated

h-distribution connector, outputs at one end ▶ Number of locking levers: 2

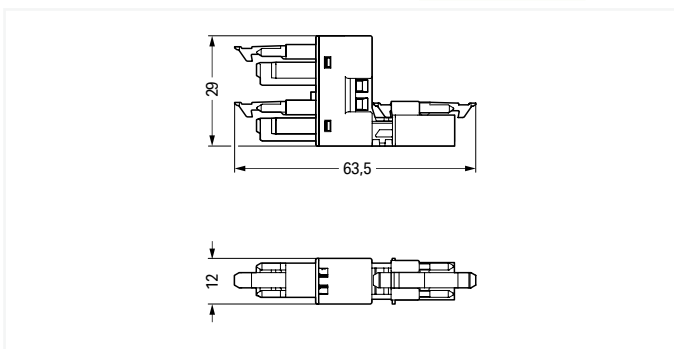
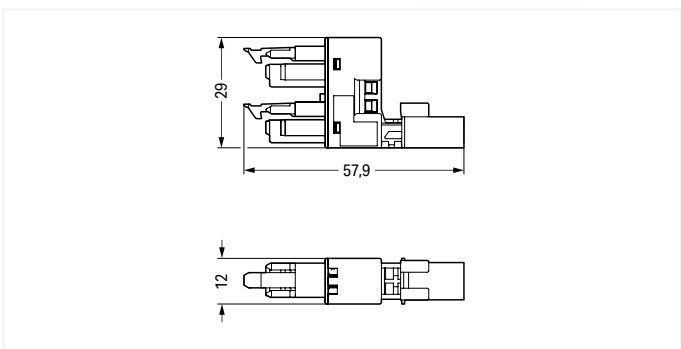
h-distribution connector, outputs at one end ▶ Number of locking levers: 3 ▶ for flying leads



890-1634

General mains applications				
Color	Coding	Marking	Item No.	PU
● black	A	L N	890-1634	50
○ white	A	L N	890-1684	50

General mains applications				
Color	Coding	Marking	Item No.	PU
● black	A	L N	890-1636	50
○ white	A	L N	890-1686	50



Accessories; for all products on this page



Mounting plate; for distribution connectors (except T-distribution connectors); 2-pole

Color	Item No.	PU
● black	890-1622	50
○ white	890-1672	50

PU = packaging unit; SPU = subpackaging unit; Dimensions in mm

Distribution connector ▶ WINSTA® MINI ▶ 890 Series

Pole number: 2 ▶ Protection type: IP20; IP40 when mated

Distribution connector, 3-way ▶ Number of locking levers: 4

Distribution connector, 5-way ▶ Number of locking levers: 6

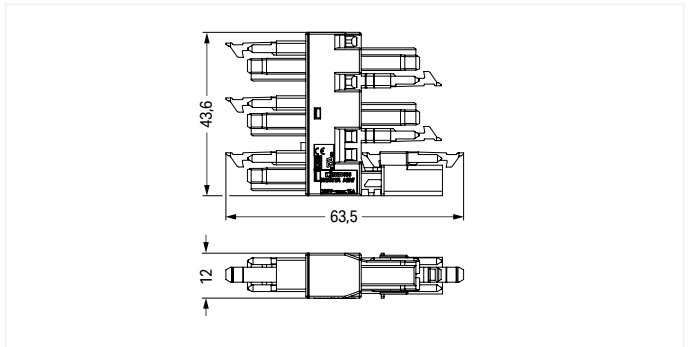
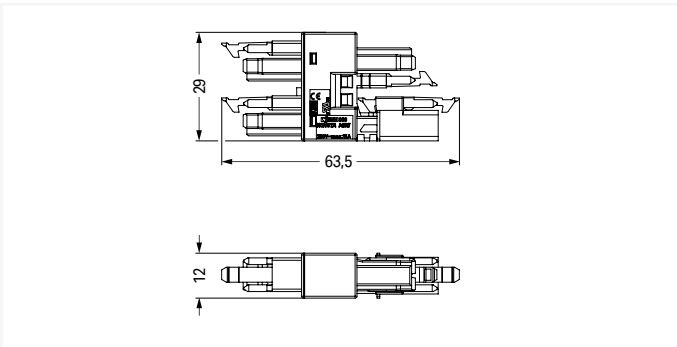


890-1904

890-1907

DALI, Lighting Management				
Color	Coding	Marking	Item No.	PU
● blue	I	+ -	890-1904	50

DALI, Lighting Management				
Color	Coding	Marking	Item No.	PU
● blue	I	+ -	890-1907	50



Accessories; for all products on this page



Mounting plate; for distribution connectors (except T-distribution connectors); 2-pole

Color	Item No.	PU
● black	890-1622	50
○ white	890-1672	50

PU = packaging unit; SPU = subpackaging unit; Dimensions in mm

Cable assembly ▶ WINSTA® MINI ▶ 891 Series

Pole number: 2 ▶ Fire class per EN 50575: E_{ca}

- Protected against mismatching and maintenance-free
- Low profile with 4.4 mm pole spacing

Electrical data						
Coding	A; B			A; B; I		
Wire cross-section	1 mm ²			1.5 mm ²		
Ratings per	IEC/EN 60664-1			IEC/EN 60664-1		
Overtoltage category	III	III	II	III	III	II
Pollution degree	3	2	2	3	2	2
Nominal voltage	250 V	-	-	250 V	-	-
Rated surge voltage	4 kV	-	-	4 kV	-	-
Rated current	10 A	-	-	16 A	-	-
Material data						
Insulation material (main housing)	Polyamide (PA66)					
Contact material	Copper or copper alloy; surface-treated					
Contact Plating	Tin					
Fire class per EN 50575	E _{ca}					
Mechanical data						
Number of mating cycles	200, without resistive load					
Mating force of a plug-in connection	approx. 20 ... 70 N (depending on pole number)					
Unmating force of a plug-in connection	when unlocked: approx. 20 ... 70 N (depending on pole number)					
Retention force of a plug-in connection	when locked: > 80N					
Environmental requirements						
Processing temperature	-5 ... +40 °C					
Continuous operating temperature	-35 ... +85 °C					
Note on continuous operating temperature	Cable for temperatures ≤ 70 °C (including halogen-free) Insulating parts for temperatures ≤ 105 °C					

Note:

Cables with a different fire class can be found in the eS-hop.

All WINSTA® components are 100% protected against mismatching when:

- plugging different numbers of poles
- plugging while rotated 180
- plugging while laterally staggered
- plugging one pole

All connectors for mounted installations (snap-in versions for lighting fixtures or devices, all types of PCB and distribution connectors) are factory-equipped with locking levers to ensure plugs and sockets are securely locked. Additional locking levers are only required for flying leads (plug/socket).

Cover Page 370

See technical section for further information

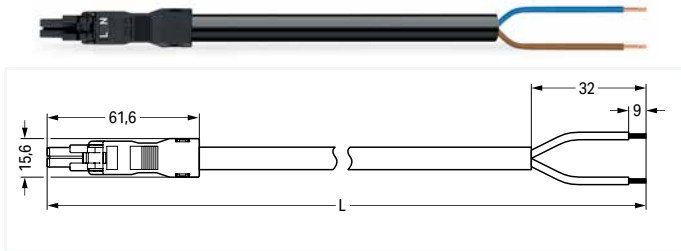
Approvals and corresponding ratings, visit www.wago.com

Cable assembly ▶ WINSTA® MINI ▶ 891 Series

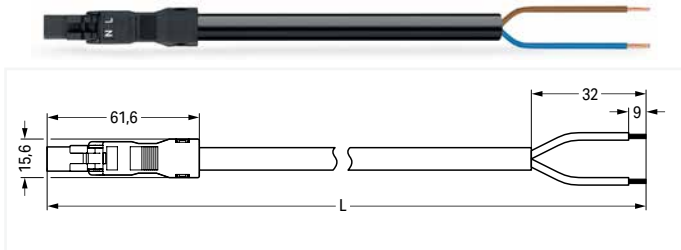
Pole number: 2 ▶ Fire class per EN 50575: E_{ca} ▶ Coding: A ▶ 1 mm² ▶ Marking: L N ▶ PVC ▶ H05VV-F 2x1 ▶ General mains applications



Interconnecting cable ▶ Socket - Plug ▶ Protection type: IP20; IP40 when mated			
Total length	Connector color / Strain relief color		PU
	black / black	white / white	
1 m	891-8992/005-101	891-8992/005-102	1
2 m	891-8992/005-201	891-8992/005-202	1
3 m	891-8992/005-301	891-8992/005-302	1
4 m	891-8992/005-401	891-8992/005-402	1
5 m	891-8992/005-501	891-8992/005-502	1
6 m	891-8992/005-601	891-8992/005-602	1
7 m	891-8992/005-701	891-8992/005-702	1
8 m	891-8992/005-801	891-8992/005-802	1



Connecting cable ▶ Socket - free end ▶ Protection type: IP40			
Total length	Connector color / Strain relief color		PU
	black / black	white / white	
1 m	891-8992/105-101	891-8992/105-102	1
2 m	891-8992/105-201	891-8992/105-202	1
3 m	891-8992/105-301	891-8992/105-302	1
4 m	891-8992/105-401	891-8992/105-402	1
5 m	891-8992/105-501	891-8992/105-502	1
6 m	891-8992/105-601	891-8992/105-602	1
7 m	891-8992/105-701	891-8992/105-702	1
8 m	891-8992/105-801	891-8992/105-802	1



Connecting cable ▶ Plug - free end ▶ Protection type: IP20; IP40 when mated			
Total length	Connector color / Strain relief color		PU
	black / black	white / white	
1 m	891-8992/205-101	891-8992/205-102	1
2 m	891-8992/205-201	891-8992/205-202	1
3 m	891-8992/205-301	891-8992/205-302	1
4 m	891-8992/205-401	891-8992/205-402	1
5 m	891-8992/205-501	891-8992/205-502	1
6 m	891-8992/205-601	891-8992/205-602	1
7 m	891-8992/205-701	891-8992/205-702	1
8 m	891-8992/205-801	891-8992/205-802	1

Accessories; for all products on this page



Locking lever; for flying leads; manually operated



Locking lever; for flying leads; tool operated



Mounting carrier; for flying leads; 2- to 5-pole

Color	Item No.	PU (SPU)
● black	890-101	100 (50)
○ white	890-121	100 (50)

Color	Item No.	PU (SPU)
● black	890-111	100 (50)
○ white	890-131	100 (50)

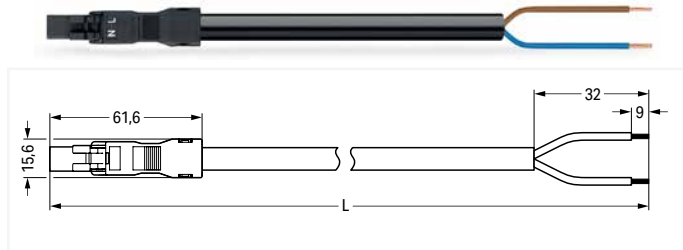
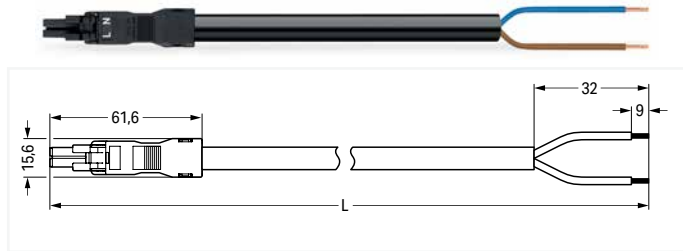
Color	Item No.	PU
● black	890-310	100
○ white	890-311	100

PU = packaging unit; SPU = subpackaging unit; Dimensions in mm

Cable assembly ▶ WINSTA® MINI ▶ 891 Series

Pole number: 2 ▶ Fire class per EN 50575: E_{ca} ▶ Coding: A ▶ 1 mm² ▶ Marking: L N ▶ Halogen-free ▶ H05Z1Z1-F 2x1 ▶ General mains applications

1



Interconnecting cable ▶ Socket - Plug ▶ Protection type: IP20; IP40 when mated

Total length	Connector color / Strain relief color		PU
	black / black	white / white	
1 m	891-8992/015-101	891-8992/015-102	1
2 m	891-8992/015-201	891-8992/015-202	1
3 m	891-8992/015-301	891-8992/015-302	1
4 m	891-8992/015-401	891-8992/015-402	1
5 m	891-8992/015-501	891-8992/015-502	1
6 m	891-8992/015-601	891-8992/015-602	1
7 m	891-8992/015-701	891-8992/015-702	1
8 m	891-8992/015-801	891-8992/015-802	1

Connecting cable ▶ Socket - free end ▶ Protection type: IP40

Total length	Connector color / Strain relief color		PU
	black / black	white / white	
1 m	891-8992/115-101	891-8992/115-102	1
2 m	891-8992/115-201	891-8992/115-202	1
3 m	891-8992/115-301	891-8992/115-302	1
4 m	891-8992/115-401	891-8992/115-402	1
5 m	891-8992/115-501	891-8992/115-502	1
6 m	891-8992/115-601	891-8992/115-602	1
7 m	891-8992/115-701	891-8992/115-702	1
8 m	891-8992/115-801	891-8992/115-802	1

Connecting cable ▶ Plug - free end ▶ Protection type: IP20; IP40 when mated

Total length	Connector color / Strain relief color		PU
	black / black	white / white	
1 m	891-8992/215-101	891-8992/215-102	1
2 m	891-8992/215-201	891-8992/215-202	1
3 m	891-8992/215-301	891-8992/215-302	1
4 m	891-8992/215-401	891-8992/215-402	1
5 m	891-8992/215-501	891-8992/215-502	1
6 m	891-8992/215-601	891-8992/215-602	1
7 m	891-8992/215-701	891-8992/215-702	1
8 m	891-8992/215-801	891-8992/215-802	1

Accessories; for all products on this page



Locking lever; for flying leads; manually operated



Locking lever; for flying leads; tool operated



Mounting carrier; for flying leads; 2- to 5-pole

Color	Item No.	PU (SPU)
● black	890-101	100 (50)
○ white	890-121	100 (50)

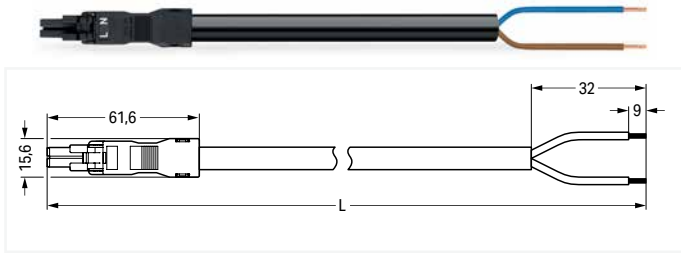
Color	Item No.	PU (SPU)
● black	890-111	100 (50)
○ white	890-131	100 (50)

Color	Item No.	PU
● black	890-310	100
○ white	890-311	100

PU = packaging unit; SPU = subpackaging unit; Dimensions in mm

Cable assembly ▶ WINSTA® MINI ▶ 891 Series

Pole number: 2 ▶ Fire class per EN 50575: E_{ca} ▶ Coding: A ▶ 1.5 mm² ▶ Marking: L N ▶ PVC ▶ H05VV-F 2x1.5 ▶ General mains applications



Interconnecting cable ▶ Socket - Plug ▶ Protection type: IP20; IP40 when mated			
Total length	Connector color / Strain relief color		PU
	black / black	white / white	
1 m	891-8992/006-101	891-8992/006-102	1
2 m	891-8992/006-201	891-8992/006-202	1
3 m	891-8992/006-301	891-8992/006-302	1
4 m	891-8992/006-401	891-8992/006-402	1
5 m	891-8992/006-501	891-8992/006-502	1
6 m	891-8992/006-601	891-8992/006-602	1
7 m	891-8992/006-701	891-8992/006-702	1
8 m	891-8992/006-801	891-8992/006-802	1

Connecting cable ▶ Socket - free end ▶ Protection type: IP40			
Total length	Connector color / Strain relief color		PU
	black / black	white / white	
1 m	891-8992/106-101	891-8992/106-102	1
2 m	891-8992/106-201	891-8992/106-202	1
3 m	891-8992/106-301	891-8992/106-302	1
4 m	891-8992/106-401	891-8992/106-402	1
5 m	891-8992/106-501	891-8992/106-502	1
6 m	891-8992/106-601	891-8992/106-602	1
7 m	891-8992/106-701	891-8992/106-702	1
8 m	891-8992/106-801	891-8992/106-802	1

Connecting cable ▶ Plug - free end ▶ Protection type: IP20; IP40 when mated			
Total length	Connector color / Strain relief color		PU
	black / black	white / white	
1 m	891-8992/206-101	891-8992/206-102	1
2 m	891-8992/206-201	891-8992/206-202	1
3 m	891-8992/206-301	891-8992/206-302	1
4 m	891-8992/206-401	891-8992/206-402	1
5 m	891-8992/206-501	891-8992/206-502	1
6 m	891-8992/206-601	891-8992/206-602	1
7 m	891-8992/206-701	891-8992/206-702	1
8 m	891-8992/206-801	891-8992/206-802	1

Accessories; for all products on this page



Locking lever; for flying leads; manually operated



Locking lever; for flying leads; tool operated



Mounting carrier; for flying leads; 2- to 5-pole

Color	Item No.	PU (SPU)
● black	890-101	100 (50)
○ white	890-121	100 (50)

Color	Item No.	PU (SPU)
● black	890-111	100 (50)
○ white	890-131	100 (50)

Color	Item No.	PU
● black	890-310	100
○ white	890-311	100

PU = packaging unit; SPU = subpackaging unit; Dimensions in mm

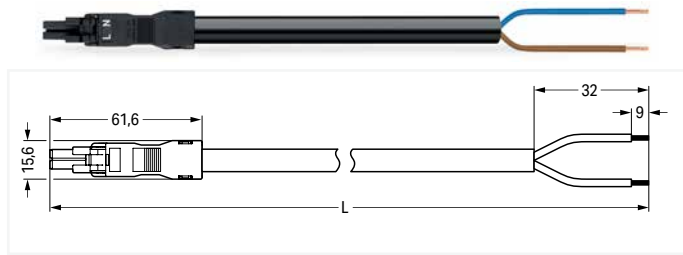
Cable assembly ▶ WINSTA® MINI ▶ 891 Series

Pole number: 2 ▶ Fire class per EN 50575: E_{ca} ▶ Coding: A ▶ 1.5 mm² ▶ Marking: L N ▶ Halogen-free
▶ H05Z1Z1-F 2x1.5 ▶ General mains applications

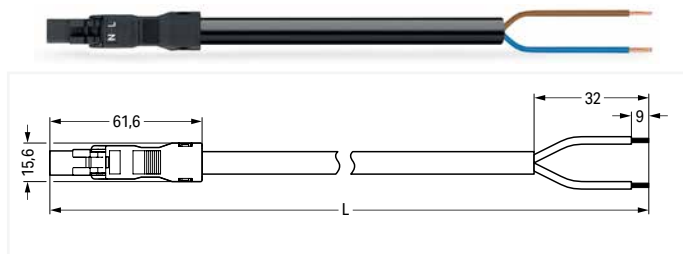
1



Interconnecting cable ▶ Socket - Plug ▶ Protection type: IP20; IP40 when mated			
Total length	Connector color / Strain relief color		PU
	black / black	white / white	
1 m	891-8992/016-101	891-8992/016-102	1
2 m	891-8992/016-201	891-8992/016-202	1
3 m	891-8992/016-301	891-8992/016-302	1
4 m	891-8992/016-401	891-8992/016-402	1
5 m	891-8992/016-501	891-8992/016-502	1
6 m	891-8992/016-601	891-8992/016-602	1
7 m	891-8992/016-701	891-8992/016-702	1
8 m	891-8992/016-801	891-8992/016-802	1



Connecting cable ▶ Socket - free end ▶ Protection type: IP40			
Total length	Connector color / Strain relief color		PU
	black / black	white / white	
1 m	891-8992/116-101	891-8992/116-102	1
2 m	891-8992/116-201	891-8992/116-202	1
3 m	891-8992/116-301	891-8992/116-302	1
4 m	891-8992/116-401	891-8992/116-402	1
5 m	891-8992/116-501	891-8992/116-502	1
6 m	891-8992/116-601	891-8992/116-602	1
7 m	891-8992/116-701	891-8992/116-702	1
8 m	891-8992/116-801	891-8992/116-802	1



Connecting cable ▶ Plug - free end ▶ Protection type: IP20; IP40 when mated			
Total length	Connector color / Strain relief color		PU
	black / black	white / white	
1 m	891-8992/216-101	891-8992/216-102	1
2 m	891-8992/216-201	891-8992/216-202	1
3 m	891-8992/216-301	891-8992/216-302	1
4 m	891-8992/216-401	891-8992/216-402	1
5 m	891-8992/216-501	891-8992/216-502	1
6 m	891-8992/216-601	891-8992/216-602	1
7 m	891-8992/216-701	891-8992/216-702	1
8 m	891-8992/216-801	891-8992/216-802	1

Accessories; for all products on this page



Locking lever; for flying leads; manually operated



Locking lever; for flying leads; tool operated



Mounting carrier; for flying leads; 2- to 5-pole

Color	Item No.	PU (SPU)
● black	890-101	100 (50)
○ white	890-121	100 (50)

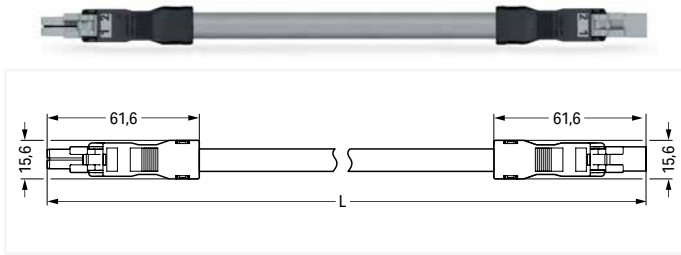
Color	Item No.	PU (SPU)
● black	890-111	100 (50)
○ white	890-131	100 (50)

Color	Item No.	PU
● black	890-310	100
○ white	890-311	100

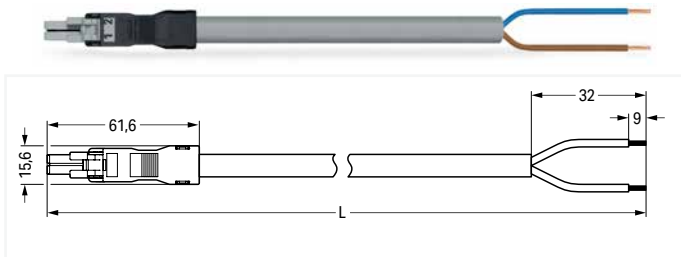
PU = packaging unit; SPU = subpackaging unit; Dimensions in mm

Cable assembly ▶ WINSTA® MINI ▶ 891 Series

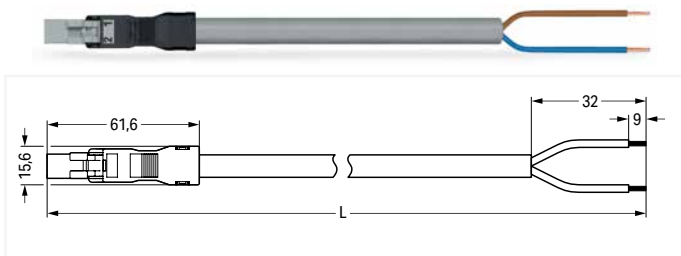
Pole number: 2 ▶ Fire class per EN 50575: E_{ca} ▶ Coding: B ▶ 1 mm² ▶ Marking: 1 2 ▶ PVC ▶ Control line 2x1 ▶ Control technology



Interconnecting cable ▶ Socket - Plug ▶ Protection type: IP20; IP40 when mated				
Total length	Connector color / Strain relief color			PU
	gray / black	light green / black	pink / black	
1 m	891-8992/005-103	891-8992/005-105	891-8992/005-107	1
2 m	891-8992/005-203	891-8992/005-205	891-8992/005-207	1
3 m	891-8992/005-303	891-8992/005-305	891-8992/005-307	1
4 m	891-8992/005-403	891-8992/005-405	891-8992/005-407	1
5 m	891-8992/005-503	891-8992/005-505	891-8992/005-507	1
6 m	891-8992/005-603	891-8992/005-605	891-8992/005-607	1
7 m	891-8992/005-703	891-8992/005-705	891-8992/005-707	1
8 m	891-8992/005-803	891-8992/005-805	891-8992/005-807	1



Connecting cable ▶ Socket - free end ▶ Protection type: IP40				
Total length	Connector color / Strain relief color			PU
	gray / black	light green / black	pink / black	
1 m	891-8992/105-103	891-8992/105-105	891-8992/105-107	1
2 m	891-8992/105-203	891-8992/105-205	891-8992/105-207	1
3 m	891-8992/105-303	891-8992/105-305	891-8992/105-307	1
4 m	891-8992/105-403	891-8992/105-405	891-8992/105-407	1
5 m	891-8992/105-503	891-8992/105-505	891-8992/105-507	1
6 m	891-8992/105-603	891-8992/105-605	891-8992/105-607	1
7 m	891-8992/105-703	891-8992/105-705	891-8992/105-707	1
8 m	891-8992/105-803	891-8992/105-805	891-8992/105-807	1



Connecting cable ▶ Plug - free end ▶ Protection type: IP20; IP40 when mated				
Total length	Connector color / Strain relief color			PU
	gray / black	light green / black	pink / black	
1 m	891-8992/205-103	891-8992/205-105	891-8992/205-107	1
2 m	891-8992/205-203	891-8992/205-205	891-8992/205-207	1
3 m	891-8992/205-303	891-8992/205-305	891-8992/205-307	1
4 m	891-8992/205-403	891-8992/205-405	891-8992/205-407	1
5 m	891-8992/205-503	891-8992/205-505	891-8992/205-507	1
6 m	891-8992/205-603	891-8992/205-605	891-8992/205-607	1
7 m	891-8992/205-703	891-8992/205-705	891-8992/205-707	1
8 m	891-8992/205-803	891-8992/205-805	891-8992/205-807	1

Accessories; for all products on this page



Locking lever; for flying leads; manually operated

Color	Item No.	PU (SPU)
● black	890-101	100 (50)
○ white	890-121	100 (50)



Locking lever; for flying leads; tool operated

Color	Item No.	PU (SPU)
● black	890-111	100 (50)
○ white	890-131	100 (50)



Mounting carrier; for flying leads; 2- to 5-pole

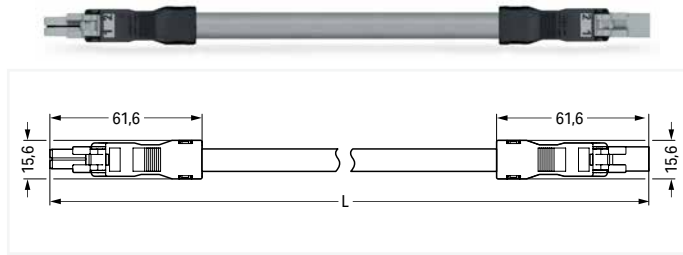
Color	Item No.	PU
● black	890-310	100
○ white	890-311	100

PU = packaging unit; SPU = subpackaging unit; Dimensions in mm

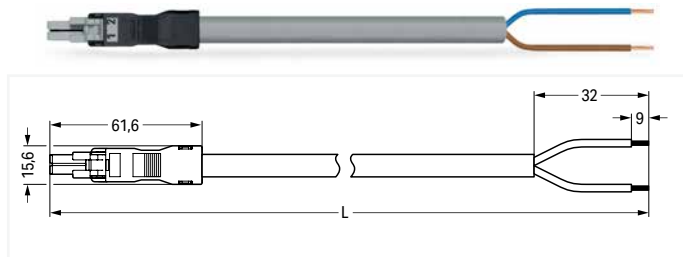
Cable assembly ▶ WINSTA® MINI ▶ 891 Series

Pole number: 2 ▶ Fire class per EN 50575: E_{ca} ▶ Coding: B ▶ 1.5 mm² ▶ Marking: 1 2 ▶ PVC ▶ Control line 2x1.5 ▶ Control technology

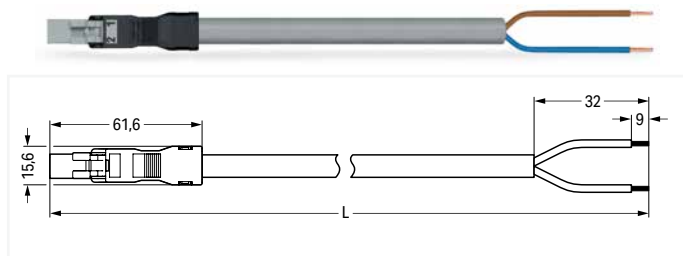
1



Interconnecting cable ▶ Socket - Plug ▶ Protection type: IP20; IP40 when mated				
Total length	Connector color / Strain relief color			PU
	gray / black	light green / black	pink / black	
1 m	891-8992/006-103	891-8992/006-105	891-8992/006-107	1
2 m	891-8992/006-203	891-8992/006-205	891-8992/006-207	1
3 m	891-8992/006-303	891-8992/006-305	891-8992/006-307	1
4 m	891-8992/006-403	891-8992/006-405	891-8992/006-407	1
5 m	891-8992/006-503	891-8992/006-505	891-8992/006-507	1
6 m	891-8992/006-603	891-8992/006-605	891-8992/006-607	1
7 m	891-8992/006-703	891-8992/006-705	891-8992/006-707	1
8 m	891-8992/006-803	891-8992/006-805	891-8992/006-807	1



Connecting cable ▶ Socket - free end ▶ Protection type: IP40				
Total length	Connector color / Strain relief color			PU
	gray / black	light green / black	pink / black	
1 m	891-8992/106-103	891-8992/106-105	891-8992/106-107	1
2 m	891-8992/106-203	891-8992/106-205	891-8992/106-207	1
3 m	891-8992/106-303	891-8992/106-305	891-8992/106-307	1
4 m	891-8992/106-403	891-8992/106-405	891-8992/106-407	1
5 m	891-8992/106-503	891-8992/106-505	891-8992/106-507	1
6 m	891-8992/106-603	891-8992/106-605	891-8992/106-607	1
7 m	891-8992/106-703	891-8992/106-705	891-8992/106-707	1
8 m	891-8992/106-803	891-8992/106-805	891-8992/106-807	1



Connecting cable ▶ Plug - free end ▶ Protection type: IP20; IP40 when mated				
Total length	Connector color / Strain relief color			PU
	gray / black	light green / black	pink / black	
1 m	891-8992/206-103	891-8992/206-105	891-8992/206-107	1
2 m	891-8992/206-203	891-8992/206-205	891-8992/206-207	1
3 m	891-8992/206-303	891-8992/206-305	891-8992/206-307	1
4 m	891-8992/206-403	891-8992/206-405	891-8992/206-407	1
5 m	891-8992/206-503	891-8992/206-505	891-8992/206-507	1
6 m	891-8992/206-603	891-8992/206-605	891-8992/206-607	1
7 m	891-8992/206-703	891-8992/206-705	891-8992/206-707	1
8 m	891-8992/206-803	891-8992/206-805	891-8992/206-807	1

Accessories; for all products on this page



Locking lever; for flying leads; manually operated



Locking lever; for flying leads; tool operated



Mounting carrier; for flying leads; 2- to 5-pole

Color	Item No.	PU (SPU)
● black	890-101	100 (50)
○ white	890-121	100 (50)

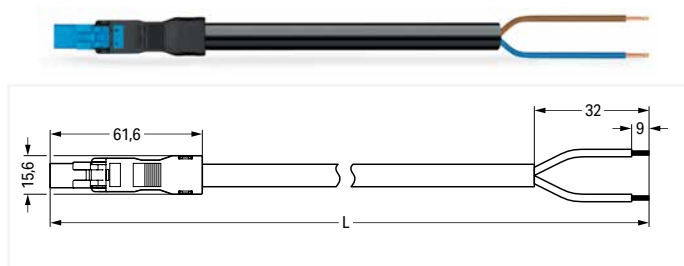
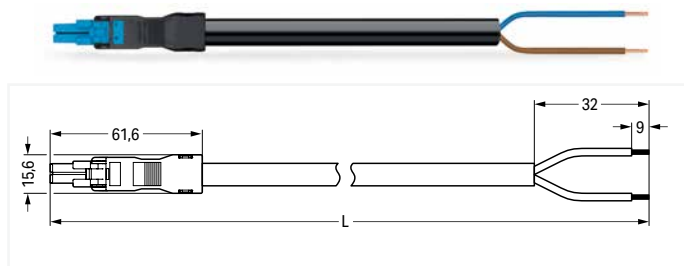
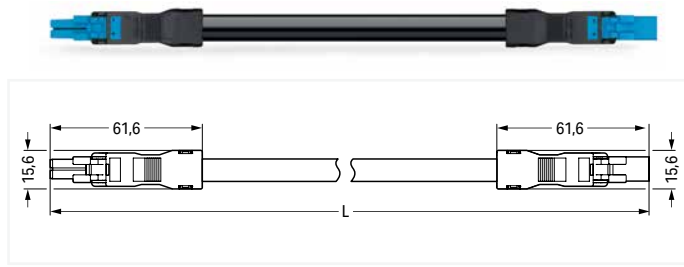
Color	Item No.	PU (SPU)
● black	890-111	100 (50)
○ white	890-131	100 (50)

Color	Item No.	PU
● black	890-310	100
○ white	890-311	100

PU = packaging unit; SPU = subpackaging unit; Dimensions in mm

Cable assembly ▶ WINSTA® MINI ▶ 891 Series

Pole number: 2 ▶ Fire class per EN 50575: E_{ca} ▶ Coding: I ▶ 1.5 mm² ▶ Marking: + - ▶ PVC ▶ H05VV-F 2x1.5 ▶ DALI, Lighting Management



Interconnecting cable ▶ Socket - Plug ▶ Protection type: IP20; IP40 when mated

Total length	Connector color / Strain relief color		PU
	blue / black	blue / white	
1 m	891-8982/006-101	891-8982/006-102	1
2 m	891-8982/006-201	891-8982/006-202	1
3 m	891-8982/006-301	891-8982/006-302	1
4 m	891-8982/006-401	891-8982/006-402	1
5 m	891-8982/006-501	891-8982/006-502	1
6 m	891-8982/006-601	891-8982/006-602	1
7 m	891-8982/006-701	891-8982/006-702	1
8 m	891-8982/006-801	891-8982/006-802	1

Connecting cable ▶ Socket - free end ▶ Protection type: IP40

Total length	Connector color / Strain relief color		PU
	blue / black	blue / white	
1 m	891-8982/106-101	891-8982/106-102	1
2 m	891-8982/106-201	891-8982/106-202	1
3 m	891-8982/106-301	891-8982/106-302	1
4 m	891-8982/106-401	891-8982/106-402	1
5 m	891-8982/106-501	891-8982/106-502	1
6 m	891-8982/106-601	891-8982/106-602	1
7 m	891-8982/106-701	891-8982/106-702	1
8 m	891-8982/106-801	891-8982/106-802	1

Connecting cable ▶ Plug - free end ▶ Protection type: IP20; IP40 when mated

Total length	Connector color / Strain relief color		PU
	blue / black	blue / white	
1 m	891-8982/206-101	891-8982/206-102	1
2 m	891-8982/206-201	891-8982/206-202	1
3 m	891-8982/206-301	891-8982/206-302	1
4 m	891-8982/206-401	891-8982/206-402	1
5 m	891-8982/206-501	891-8982/206-502	1
6 m	891-8982/206-601	891-8982/206-602	1
7 m	891-8982/206-701	891-8982/206-702	1
8 m	891-8982/206-801	891-8982/206-802	1

Accessories; for all products on this page



Locking lever; for flying leads; manually operated



Locking lever; for flying leads; tool operated



Mounting carrier; for flying leads; 2- to 5-pole

Color	Item No.	PU (SPU)
● black	890-101	100 (50)
○ white	890-121	100 (50)

Color	Item No.	PU (SPU)
● black	890-111	100 (50)
○ white	890-131	100 (50)

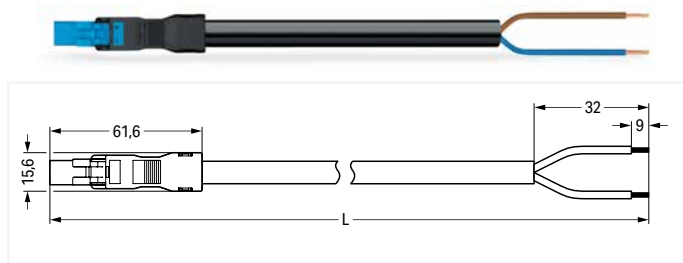
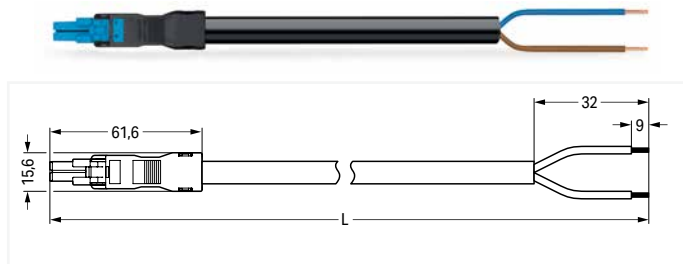
Color	Item No.	PU
● black	890-310	100
○ white	890-311	100

PU = packaging unit; SPU = subpackaging unit; Dimensions in mm

Cable assembly ▶ WINSTA® MINI ▶ 891 Series

Pole number: 2 ▶ Fire class per EN 50575: E_{ca} ▶ Coding: I ▶ 1.5 mm² ▶ Marking: + - ▶ Halogen-free ▶ H05Z1Z1-F 2x1.5 ▶ DALI, Lighting Management

1



Interconnecting cable ▶ Socket - Plug ▶ Protection type: IP20; IP40 when mated

Total length	Connector color / Strain relief color		PU
	blue / black	blue / white	
1 m	891-8982/016-101	891-8982/016-102	1
2 m	891-8982/016-201	891-8982/016-202	1
3 m	891-8982/016-301	891-8982/016-302	1
4 m	891-8982/016-401	891-8982/016-402	1
5 m	891-8982/016-501	891-8982/016-502	1
6 m	891-8982/016-601	891-8982/016-602	1
7 m	891-8982/016-701	891-8982/016-702	1
8 m	891-8982/016-801	891-8982/016-802	1

Connecting cable ▶ Socket - free end ▶ Protection type: IP40

Total length	Connector color / Strain relief color		PU
	blue / black	blue / white	
1 m	891-8982/116-101	891-8982/116-102	1
2 m	891-8982/116-201	891-8982/116-202	1
3 m	891-8982/116-301	891-8982/116-302	1
4 m	891-8982/116-401	891-8982/116-402	1
5 m	891-8982/116-501	891-8982/116-502	1
6 m	891-8982/116-601	891-8982/116-602	1
7 m	891-8982/116-701	891-8982/116-702	1
8 m	891-8982/116-801	891-8982/116-802	1

Connecting cable ▶ Plug - free end ▶ Protection type: IP20; IP40 when mated

Total length	Connector color / Strain relief color		PU
	blue / black	blue / white	
1 m	891-8982/216-101	891-8982/216-102	1
2 m	891-8982/216-201	891-8982/216-202	1
3 m	891-8982/216-301	891-8982/216-302	1
4 m	891-8982/216-401	891-8982/216-402	1
5 m	891-8982/216-501	891-8982/216-502	1
6 m	891-8982/216-601	891-8982/216-602	1
7 m	891-8982/216-701	891-8982/216-702	1
8 m	891-8982/216-801	891-8982/216-802	1

Accessories; for all products on this page



Locking lever; for flying leads; manually operated



Locking lever; for flying leads; tool operated



Mounting carrier; for flying leads; 2- to 5-pole

Color	Item No.	PU (SPU)
● black	890-101	100 (50)
○ white	890-121	100 (50)

Color	Item No.	PU (SPU)
● black	890-111	100 (50)
○ white	890-131	100 (50)

Color	Item No.	PU
● black	890-310	100
○ white	890-311	100

PU = packaging unit; SPU = subpackaging unit; Dimensions in mm

Pluggable connectors ▶ WINSTA® MINI ▶ 890 Series

Pole number: 3



- Protected against mismatching and maintenance-free
- Push-in CAGE CLAMP® spring pressure connection technology allows solid conductors to be simply pushed into a unit.
- Low profile with 4.4 mm pole spacing
- When assembled, the installation connectors comply with IP40 and are suitable for easily accessible areas.

Electrical data						
Coding	A			B		
Ratings per	IEC/EN 60664-1			IEC/EN 60664-1		
Overvoltage category	III	III	II	III	III	II
Pollution degree	3	2	2	3	2	2
Nominal voltage	250 V	-	-	250 V	-	-
Rated surge voltage	4 kV	-	-	4 kV	-	-
Rated current	16 A	-	-	16 A	-	-
Rated current (note)				13 A for 3-pole load		

Connection data	
Connection technology	Push-in CAGE CLAMP®
Strip length	9 mm / 0.35 inches
Nominal cross-section	1.5 mm² / 16 AWG
Solid conductor	0.25 ... 1.5 mm² / 22 ... 16 AWG
Solid conductor; push-in termination	0.75 ... 1.5 mm² / 20 ... 16 AWG
Stranded conductor	0.25 ... 1 mm² / 22 ... 18 AWG
Fine-stranded conductor	0.25 ... 1.5 mm² / 22 ... 16 AWG
Fine-stranded conductor; with insulated ferrule	0.25 ... 0.75 mm² / 22 ... 20 AWG
Fine-stranded conductor; with uninsulated ferrule	0.25 ... 0.75 mm² / 22 ... 20 AWG
Fine-stranded conductor; with ferrule; push-in termination	0.75 mm² / 20 AWG

Material data	
Material group	I
Insulation material (main housing)	Polyamide (PA66)
Flammability class per UL94	V0
Clamping spring material	Chrome-nickel spring steel (CrNi)
Contact material	Copper or copper alloy; surface-treated
Contact Plating	Tin

Mechanical data	
Number of mating cycles	200, without resistive load
Mating force of a plug-in connection	approx. 20 ... 70 N (depending on pole number)
Unmating force of a plug-in connection	Unlocked: approx. 20 ... 70 N (depending on pole number)
Retention force of a plug-in connection	Locked: > 80 N

Environmental requirements	
Processing temperature	-5 ... +40 °C
Continuous operating temperature	-35 ... +85 °C
Note on continuous operating temperature	Insulating parts for temperatures ≤ 105 °C

Note:

All WINSTA® components are 100% protected against mismatching when:

- plugging different numbers of poles
- plugging while rotated 180
- plugging while laterally staggered
- plugging one pole

All connectors for mounted installations (snap-in versions for lighting fixtures or devices, all types of PCB and distribution connectors) are factory-equipped with locking levers to ensure plugs and sockets are securely locked. Additional locking levers are only required for flying leads (plug/socket).

Cover	Page 370
Shield termination	Page 369
Tool	Page 394
See technical section for further information	
Approvals and corresponding ratings, visit www.wago.com	

Pluggable connectors ▶ WINSTA® MINI ▶ 890 Series

Pole number: 3

Female connector/socket ▶ Strain relief housing ▶ Strip length (outer insulation): 40 mm
▶ Connectable sheathed cable diameter: 4.5 ... 10 mm ▶ Protection type: IP40

Male connector/plug ▶ Strain relief housing ▶ Strip length (outer insulation): 40 mm ▶
Connectable sheathed cable diameter: 4.5 ... 10 mm ▶ Protection type: IP40



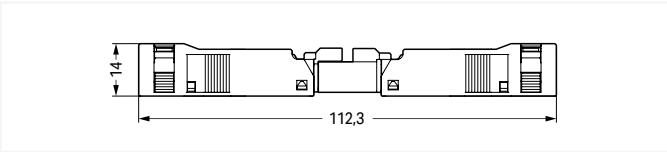
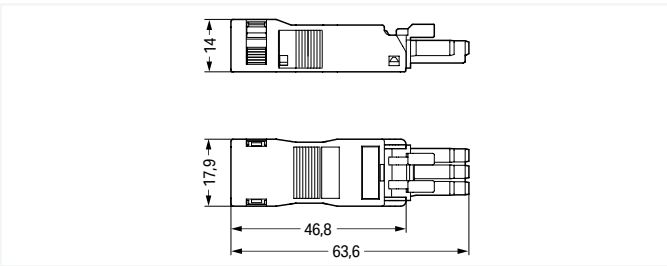
890-103



890-113

General mains applications

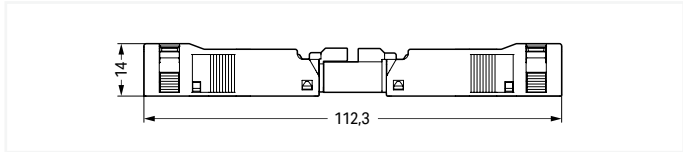
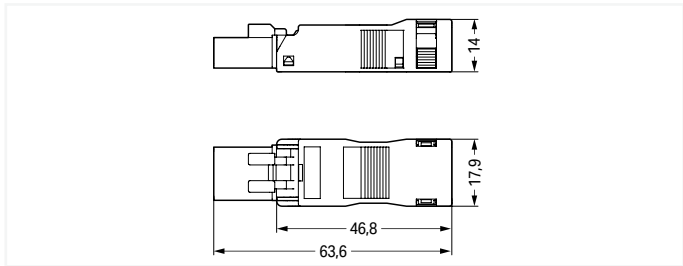
Color	Coding	Marking	Item No.	PU
● black	A	L ⊕ N	890-103	50
○ white	A	L ⊕ N	890-123	50



Overall length when mated

General mains applications

Color	Coding	Marking	Item No.	PU
● black	A	N ⊕ L	890-113	50
○ white	A	N ⊕ L	890-133	50



Overall length when mated

Accessories; for all products on this page



Locking lever; for flying leads; manually operated

Color	Item No.	PU (SPU)
● black	890-101	100 (50)
○ white	890-121	100 (50)



Locking lever; for flying leads; tool operated

Color	Item No.	PU (SPU)
● black	890-111	100 (50)
○ white	890-131	100 (50)



Operating tool; 3-times

Color	Item No.	PU
● green	890-383	1



Mounting carrier; for flying leads; 2- to 5-pole

Color	Item No.	PU
● black	890-310	100
○ white	890-311	100

PU = packaging unit; SPU = subpackaging unit; Dimensions in mm

Pluggable connectors ▶ WINSTA® MINI ▶ 890 Series

Pole number: 3

Female connector/socket ▶ Protection type: IP20; IP40 with strain relief housing

Male connector/plug ▶ Protection type: IP20; IP40 when mated with strain relief housing



1

890-203

890-213

General mains applications

Color	Coding	Marking	Item No.	PU
● black	A	L ⊕ N	890-203	50
○ white	A	L ⊕ N	890-223	50

Control technology

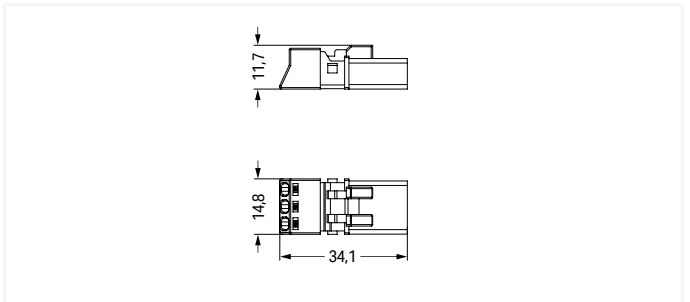
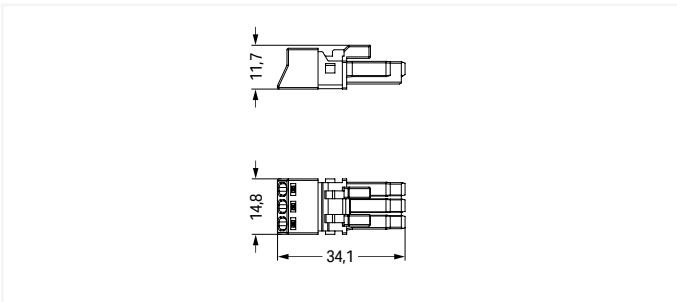
Color	Coding	Marking	Item No.	PU
○ gray	B	1 2 3	890-243	50
○ gray	B	L ⊕ N	890-243/060-000	50
○ gray	B	2 PE 1	890-243/062-000	50
● light green	B	1 2 3	890-263	50
● light green	B	U+ X/Y U-	890-263/071-000	50
● light green	B	1 ⊕ 2	890-263/073-000	50
● pink	B	1 2 3	890-283	50
● pink	B	1 2 5	890-283/081-000	50
● pink	B	+ S -	890-283/082-000	50

General mains applications

Color	Coding	Marking	Item No.	PU
● black	A	N ⊕ L	890-213	50
○ white	A	N ⊕ L	890-233	50

Control technology

Color	Coding	Marking	Item No.	PU
○ gray	B	3 2 1	890-253	50
○ gray	B	N ⊕ L	890-253/060-000	50
○ gray	B	1 PE 2	890-253/062-000	50
● light green	B	3 2 1	890-273	50
● light green	B	U- X/Y U+	890-273/071-000	50
● light green	B	2 ⊕ 1	890-273/073-000	50
● pink	B	3 2 1	890-293	50
● pink	B	5 2 1	890-293/081-000	50
● pink	B	- S +	890-293/082-000	50



Accessories; for all products on this page



Locking lever; for flying leads; manually operated

Color	Item No.	PU (SPU)
● black	890-101	100 (50)
○ white	890-121	100 (50)



Locking lever; for flying leads; tool operated

Color	Item No.	PU (SPU)
● black	890-111	100 (50)
○ white	890-131	100 (50)



Strain relief housing; Connectable sheathed cable diameter: 4.5 ... 10 mm; Strip length (outer insulation): 40 mm

Color	Item No.	PU
● black	890-503	50
○ white	890-513	50



Operating tool; 3 -times

Color	Item No.	PU
● green	890-383	1



Mounting carrier; for flying leads; 2- to 5-pole

Color	Item No.	PU
● black	890-310	100
○ white	890-311	100

PU = packaging unit; SPU = subpackaging unit; Dimensions in mm

Snap-in device connector ▶ WINSTA® MINI ▶ 890 Series

Pole number: 3



- Protected against mismatching and maintenance-free
- Push-in CAGE CLAMP® spring pressure connection technology allows solid conductors to be simply pushed into a unit.
- Low profile with 4.4 mm pole spacing
- When assembled, the installation connectors comply with IP40 and are suitable for easily accessible areas.

Electrical data						
Coding	A			B		
Ratings per	IEC/EN 60664-1			IEC/EN 60664-1		
Overvoltage category	III	III	II	III	III	II
Pollution degree	3	2	2	3	2	2
Nominal voltage	250 V	-	-	250 V	-	-
Rated surge voltage	4 kV	-	-	4 kV	-	-
Rated current	16 A	-	-	16 A	-	-
Rated current (note)				13 A for 3-pole load		

Connection data	
Connection technology	Push-in CAGE CLAMP®
Strip length	9 mm / 0.35 inches
Nominal cross-section	1.5 mm² / 16 AWG
Solid conductor	0.25 ... 1.5 mm² / 22 ... 16 AWG
Solid conductor; push-in termination	0.75 ... 1.5 mm² / 20 ... 16 AWG
Stranded conductor	0.25 ... 1 mm² / 22 ... 18 AWG
Fine-stranded conductor	0.25 ... 1.5 mm² / 22 ... 16 AWG
Fine-stranded conductor; with insulated ferrule	0.25 ... 0.75 mm² / 22 ... 20 AWG
Fine-stranded conductor; with uninsulated ferrule	0.25 ... 0.75 mm² / 22 ... 20 AWG
Fine-stranded conductor; with ferrule; push-in termination	0.75 mm² / 20 AWG

Material data	
Insulation material (main housing)	Polyamide (PA66)
Clamping spring material	Chrome-nickel spring steel (CrNi)
Contact material	Copper or copper alloy; surface-treated
Contact Plating	Tin

Mechanical data	
Number of mating cycles	200, without resistive load
Mating force of a plug-in connection	approx. 20 ... 70 N (depending on pole number)
Unmating force of a plug-in connection	Unlocked: approx. 20 ... 70 N (depending on pole number)
Retention force of a plug-in connection	Locked: > 80 N

Environmental requirements	
Processing temperature	-5 ... +40 °C
Continuous operating temperature	-35 ... +85 °C
Note on continuous operating temperature	Insulating parts for temperatures ≤ 105 °C

Note:

The snap-in connectors must be relieved of tensile and transverse forces.

A surface finish can influence the edge radius of the cutouts. This may affect the snap-in socket fit, so ensure an adequate fit before use. In addition, the punched edge should be on the inside for punched cutouts.

The wings of the snap-in connectors must not be mechanically stressed for a long period before use (e.g., due to a pre-locking position).

All WINSTA® components are 100% protected against mismatching when:

- plugging different numbers of poles
- plugging while rotated 180
- plugging while laterally staggered
- plugging one pole

All connectors for mounted installations (snap-in versions for lighting fixtures or devices, all types of PCB and distribution connectors) are factory-equipped with locking levers to ensure plugs and sockets are securely locked. Additional locking levers are only required for flying leads (plug/socket).

Tool Page 394

See technical section for further information

Approvals and corresponding ratings, visit www.wago.com

Snap-in device connector ▶ WINSTA® MINI ▶ 890 Series

Pole number: 3

Female connector/socket ▶ Protection type: IP40

Male connector/plug ▶ Protection type: IP20; IP40 when mated



General mains applications

Color	Coding	Marking	Item No.	PU (SPU)
● black	A	L ⊕ N	890-703	50 (50)
○ white	A	L ⊕ N	890-723	50 (50)

Control technology

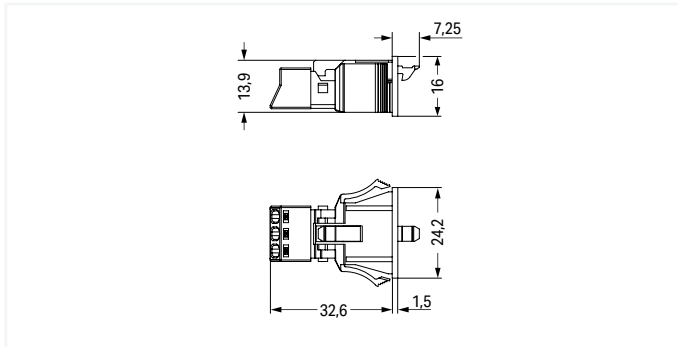
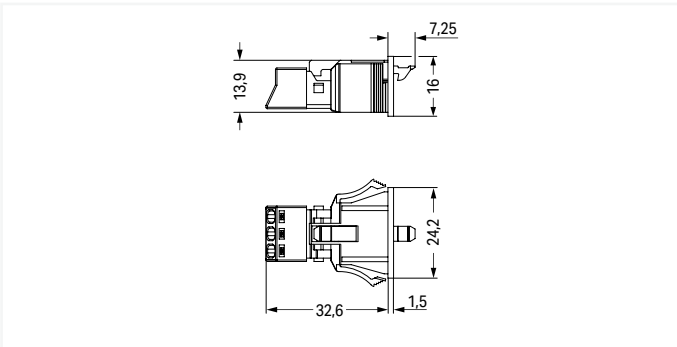
Color	Coding	Marking	Item No.	PU (SPU)
○ gray	B	1 2 3	890-743	50 (50)
○ gray	B	L ⊕ N	890-743/060-000	50 (50)
○ gray	B	2 PE 1	890-743/062-000	50 (50)
● light green	B	1 2 3	890-763	50 (50)
● light green	B	U+ X/Y U-	890-763/071-000	50 (50)
● light green	B	1 ⊕ 2	890-763/073-000	50 (50)
● pink	B	1 2 3	890-783	50 (50)
● pink	B	1 2 5	890-783/081-000	50 (50)
● pink	B	+ S -	890-783/082-000	50 (50)

General mains applications

Color	Coding	Marking	Item No.	PU (SPU)
● black	A	N ⊕ L	890-713	50 (50)
○ white	A	N ⊕ L	890-733	50 (50)

Control technology

Color	Coding	Marking	Item No.	PU (SPU)
○ gray	B	3 2 1	890-753	50 (50)
○ gray	B	N ⊕ L	890-753/060-000	50 (50)
○ gray	B	1 PE 2	890-753/062-000	50 (50)
● light green	B	3 2 1	890-773	50 (50)
● light green	B	U- X/Y U+	890-773/071-000	50 (50)
● light green	B	2 ⊕ 1	890-773/073-000	50 (50)
● pink	B	3 2 1	890-793	50 (50)
● pink	B	5 2 1	890-793/081-000	50 (50)
● pink	B	- S +	890-793/082-000	50 (50)



Accessories; for all products on this page



Operating tool; 3 -times



Lockout cap; for cutout; Pole number: 3

Color	Item No.	PU
● green	890-383	1

Color	Item No.	PU
● black	890-643	100
○ white	890-693	100

PU = packaging unit; SPU = subpackaging unit; Dimensions in mm

Pluggable PCB connector ▶ WINSTA® MINI ▶ 890 Series

Pole number: 3



- Protected against mismatching and maintenance-free
- Push-in CAGE CLAMP® spring pressure connection technology allows solid conductors to be simply pushed into a unit.
- Low profile with 4.4 mm pole spacing

Electrical data						
Coding	A			B		
Ratings per	IEC/EN 60664-1			IEC/EN 60664-1		
Overvoltage category	III	III	II	III	III	II
Pollution degree	3	2	2	3	2	2
Nominal voltage	250 V	-	-	250 V	-	-
Rated surge voltage	4 kV	-	-	4 kV	-	-
Rated current	16 A	-	-	16 A	-	-
Rated current (note)				13 A for 3-pole load		
Material data						
Material group	I					
Insulation material (main housing)	Polyamide (PA66)					
Flammability class per UL94	V0					
Clamping spring material	Chrome-nickel spring steel (CrNi)					
Contact material	Copper or copper alloy; surface-treated					
Contact Plating	Tin					
Mechanical data						
Solder pin arrangement	2 in-line solder pins/pole					
Number of solder pins per potential	2					
Solder pin length	3.5 mm					
Solder pin dimensions	1 x 0.8 mm					
Drilled hole diameter with tolerance	1.3 ^(+0.1) mm					
Mating force of a plug-in connection	approx. 20 ... 70 N (depending on pole number)					
Unmating force of a plug-in connection	Unlocked: approx. 20 ... 70 N (depending on pole number)					
Retention force of a plug-in connection	Locked: > 80 N					
Environmental requirements						
Processing temperature	-5 ... +40 °C					
Continuous operating temperature	-35 ... +85 °C					
Note on continuous operating temperature	Insulating parts for temperatures ≤ 105 °C					

Note:

All WINSTA® components are 100% protected against mismatching when:

- plugging different numbers of poles
- plugging while rotated 180
- plugging while laterally staggered
- plugging one pole

All connectors for mounted installations (snap-in versions for lighting fixtures or devices, all types of PCB and distribution connectors) are factory-equipped with locking levers to ensure plugs and sockets are securely locked. Additional locking levers are only required for flying leads (plug/socket).

See technical section for further information

Approvals and corresponding ratings, visit www.wago.com

Pluggable PCB connector ▶ WINSTA® MINI ▶ 890 Series

Pole number: 3

Female connector/socket ▶ straight

Male connector/plug ▶ straight



1

890-803

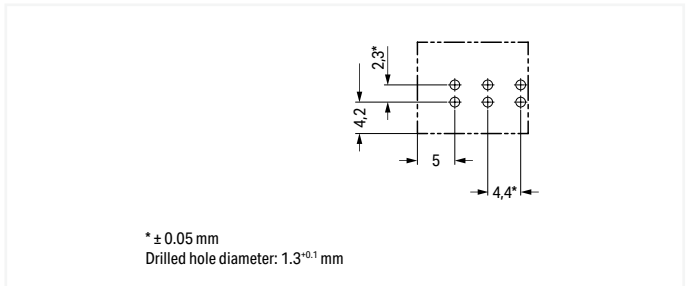
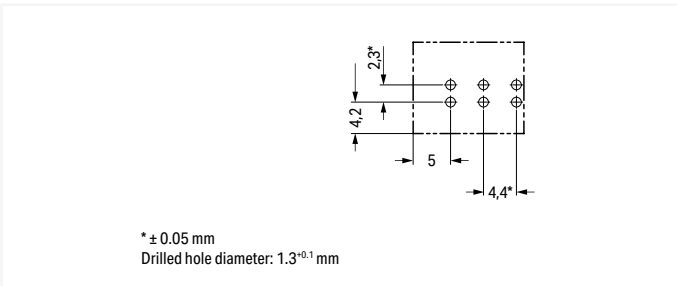
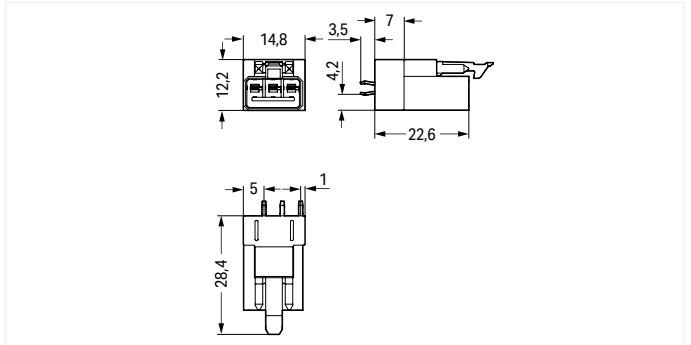
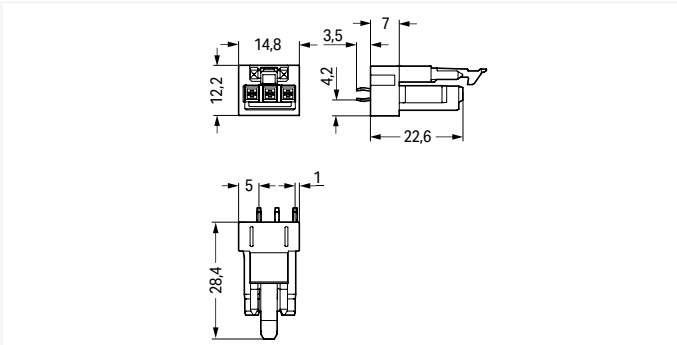
890-813

General mains applications				
Color	Coding	Marking	Item No.	PU
● black	A	L ⊕ N	890-803	100
○ white	A	L ⊕ N	890-823	100

Control technology				
Color	Coding	Marking	Item No.	PU
○ gray	B	1 2 3	890-843	100
● light green	B	1 2 3	890-863	100
● pink	B	1 2 3	890-883	100

General mains applications				
Color	Coding	Marking	Item No.	PU
● black	A	N ⊕ L	890-813	100
○ white	A	N ⊕ L	890-833	100

Control technology				
Color	Coding	Marking	Item No.	PU
○ gray	B	3 2 1	890-853	100
● light green	B	3 2 1	890-873	100
● pink	B	3 2 1	890-893	100



Pluggable PCB connector ▶ WINSTA® MINI ▶ 890 Series

Pole number: 3

Female connector/socket ▶ angled

Male connector/plug ▶ angled

1



890-803/011-000

890-813/011-000

General mains applications

Color	Coding	Marking	Item No.	PU
● black	A	L ⊕ N	890-803/011-000	100
○ white	A	L ⊕ N	890-823/011-000	100

Control technology

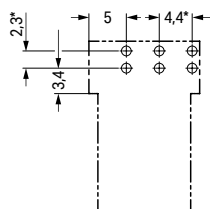
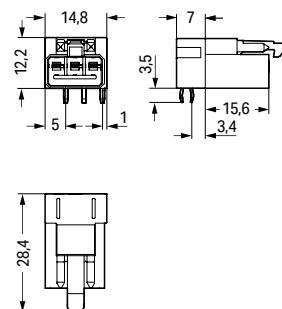
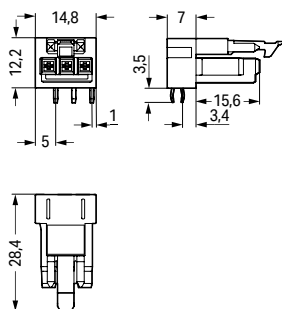
Color	Coding	Marking	Item No.	PU
○ gray	B	1 2 3	890-843/011-000	100
● light green	B	1 2 3	890-863/011-000	100
● pink	B	1 2 3	890-883/011-000	100

General mains applications

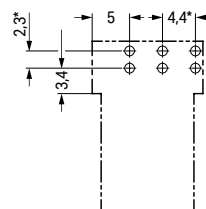
Color	Coding	Marking	Item No.	PU
● black	A	N ⊕ L	890-813/011-000	100
○ white	A	N ⊕ L	890-833/011-000	100

Control technology

Color	Coding	Marking	Item No.	PU
○ gray	B	3 2 1	890-853/011-000	100
● light green	B	3 2 1	890-873/011-000	100
● pink	B	3 2 1	890-893/011-000	100



* ± 0.05 mm
Drilled hole diameter: 1.3^{+0.1} mm



* ± 0.05 mm
Drilled hole diameter: 1.3^{+0.1} mm

Distribution connector ▶ WINSTA® MINI ▶ 890 Series

Pole number: 3 ▶ Protection type: IP20; IP40 when mated



- Protected against mismatching and maintenance-free
- Low profile with 4.4 mm pole spacing

Electrical data						
Coding	A			B		
Ratings per	IEC/EN 60664-1			IEC/EN 60664-1		
Overvoltage category	III	III	II	III	III	II
Pollution degree	3	2	2	3	2	2
Nominal voltage	250 V	-	-	250 V	-	-
Rated surge voltage	4 kV	-	-	4 kV	-	-
Rated current	16 A	-	-	16 A	-	-
Rated current (note)				13 A for 3-pole load		
Material data						
Insulation material (main housing)	Polyamide (PA66)					
Flammability class per UL94	V0					
Contact material	Copper or copper alloy; surface-treated					
Contact Plating	Tin					
Mechanical data						
Number of mating cycles	200, without resistive load					
Mating force of a plug-in connection	Approx. 20 ... 70 N (depending on pole number)					
Unmating force of a plug-in connection	Unlocked: approx. 20 ... 70 N (depending on pole number)					
Retention force of a plug-in connection	When locked: > 80 N					
Protection type	IP20					
Note on protection type	IP40 when mated					
Number of inputs	1					
Environmental requirements						
Processing temperature	-5 ... +40 °C					
Continuous operating temperature	-35 ... +85 °C					
Note on continuous operating temperature	Insulating parts for temperatures ≤ 105 °C					

Note:

At least one snap-in connector **WITHOUT** a locking lever is required on one side when connecting two lights directly via intermediate coupler.

All WINSTA® components are 100% protected against mismatching when:

- plugging different numbers of poles
- plugging while rotated 180
- plugging while laterally staggered
- plugging one pole

All connectors for mounted installations (snap-in versions for lighting fixtures or devices, all types of PCB and distribution connectors) are factory-equipped with locking levers to ensure plugs and sockets are securely locked. Additional locking levers are only required for flying leads (plug/socket).

See technical section for further information

Approvals and corresponding ratings, visit www.wago.com

Distribution connector ▶ WINSTA® MINI ▶ 890 Series

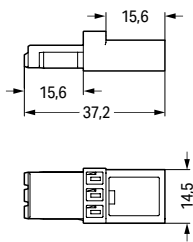
Pole number: 3 ▶ Protection type: IP20; IP40 when mated

Intermediate coupler



General mains applications

Color	Coding	Marking	Item No.	PU
● black	A	plain	890-603	50
○ white	A	plain	890-653	50



PU = packaging unit; SPU = subpackaging unit; Dimensions in mm

Distribution connector ▶ WINSTA® MINI ▶ 890 Series

Pole number: 3 ▶ Protection type: IP20; IP40 when mated

T-distribution connector

Number of locking levers: 2

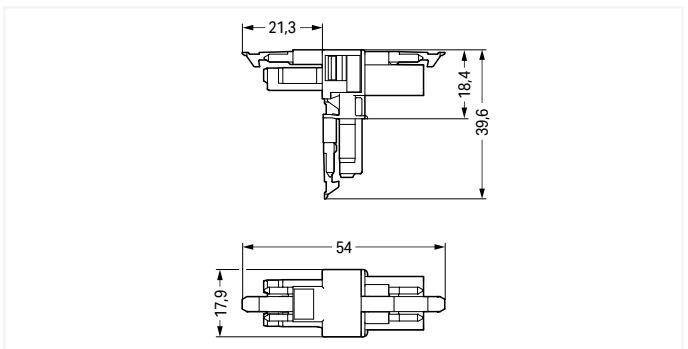
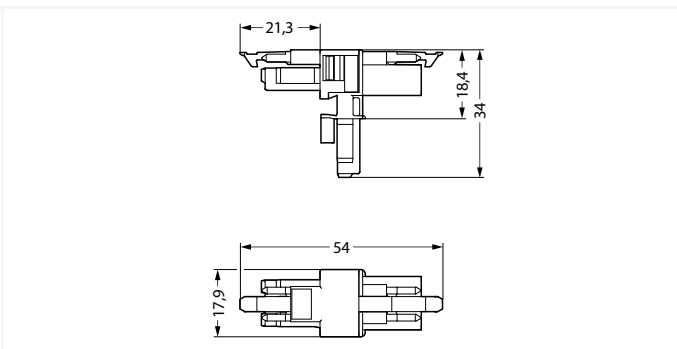
Number of locking levers: 3 ▶ for flying leads



890-606

General mains applications				
Color	Coding	Marking	Item No.	PU
● black	A	L ⊕ N	890-606	25
○ white	A	L ⊕ N	890-656	25

General mains applications				
Color	Coding	Marking	Item No.	PU
● black	A	L ⊕ N	890-615	25
○ white	A	L ⊕ N	890-665	25



PU = packaging unit; SPU = subpackaging unit; Dimensions in mm

Distribution connector ▶ WINSTA® MINI ▶ 890 Series

Pole number: 3 ▶ Protection type: IP20; IP40 when mated

h-distribution connector, outputs at one end

Number of locking levers: 2

Number of locking levers: 3 ▶ for flying leads



890-634

890-636

General mains applications

Color	Coding	Marking	Item No.	PU
● black	A	L ⊕ N	890-634	50
○ white	A	L ⊕ N	890-684	50

General mains applications

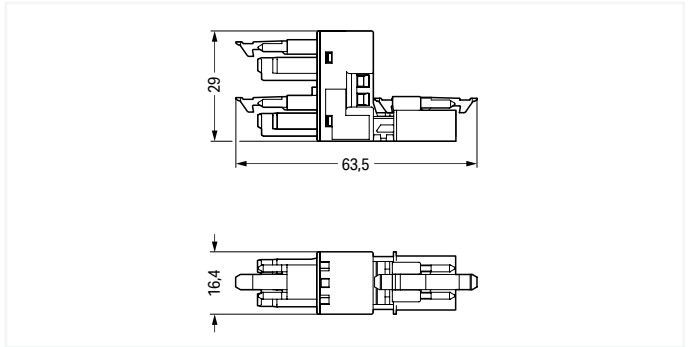
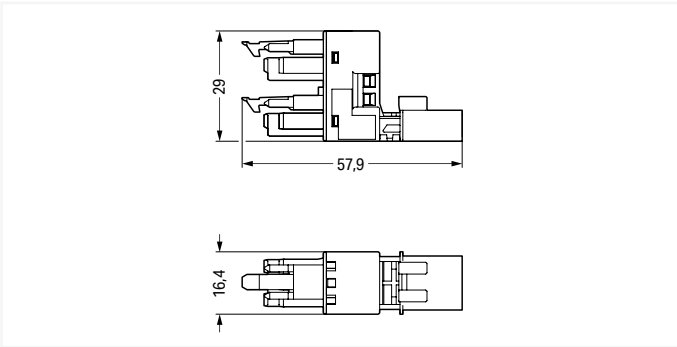
Color	Coding	Marking	Item No.	PU
● black	A	L ⊕ N	890-636	50
○ white	A	L ⊕ N	890-686	50

Control technology

Color	Coding	Marking	Item No.	PU
○ gray	B	1 2 3	890-1661	50
● light green	B	1 2 3	890-1662	50
● pink	B	1 2 3	890-1663	50

Control technology

Color	Coding	Marking	Item No.	PU
○ gray	B	1 2 3	890-1761	50
● light green	B	1 2 3	890-1762	50
● pink	B	1 2 3	890-1763	50



Accessories; for all products on this page



Mounting plate; for distribution connectors (except T-distribution connectors); 3-pole

Color	Item No.	PU
● black	890-623	50
○ white	890-673	50

PU = packaging unit; SPU = subpackaging unit; Dimensions in mm

Cable assembly ▶ WINSTA® MINI ▶ 891 Series

Pole number: 3 ▶ Fire class per EN 50575: E_{ca}

- Protected against mismatching and maintenance-free
- Low profile with 4.4 mm pole spacing

Electrical data									
Coding	A; B			A			B		
Wire cross-section	1 mm ²			1.5 mm ²			1.5 mm ²		
Ratings per	IEC/EN 60664-1			IEC/EN 60664-1			IEC/EN 60664-1		
Oversvoltage category	III	III	II	III	III	II	III	III	II
Pollution degree	3	2	2	3	2	2	3	2	2
Nominal voltage	250 V	-	-	250 V	-	-	250 V	-	-
Rated surge voltage	4 kV	-	-	4 kV	-	-	4 kV	-	-
Rated current	10 A	-	-	16 A	-	-	16 A	-	-
Rated current (note)							13 A for 3-pole load		
Material data									
Insulation material (main housing)	Polyamide (PA66)								
Contact material	Copper or copper alloy; surface-treated								
Contact Plating	Tin								
Fire class per EN 50575	E _{ca}								
Mechanical data									
Number of mating cycles	200, without resistive load								
Mating force of a plug-in connection	approx. 20 ... 70 N (depending on pole number)								
Unmating force of a plug-in connection	when unlocked: approx. 20 ... 70 N (depending on pole number)								
Retention force of a plug-in connection	when locked: > 80N								
Environmental requirements									
Processing temperature	-5 ... +40 °C								
Continuous operating temperature	-35 ... +85 °C								
Note on continuous operating temperature	Cable for temperatures ≤ 70 °C (including halogen-free) Insulating parts for temperatures ≤ 105 °C								

Note:

Cables with a different fire class can be found in the eShop.

All WINSTA® components are 100% protected against mismatching when:

- plugging different numbers of poles
- plugging while rotated 180
- plugging while laterally staggered
- plugging one pole

All connectors for mounted installations (snap-in versions for lighting fixtures or devices, all types of PCB and distribution connectors) are factory-equipped with locking levers to ensure plugs and sockets are securely locked. Additional locking levers are only required for flying leads (plug/socket).

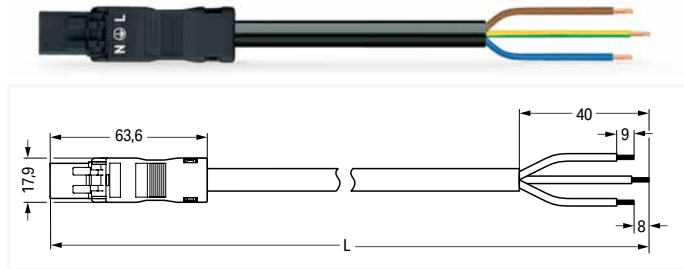
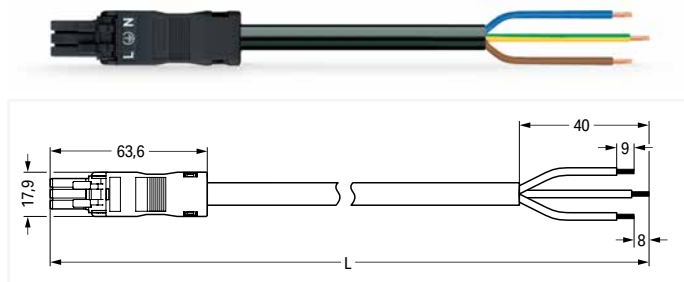
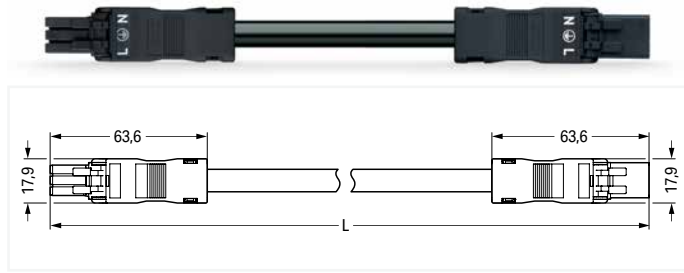
Cover Page 370

See technical section for further information

Approvals and corresponding ratings, visit www.wago.com

Cable assembly ▶ WINSTA® MINI ▶ 891 Series

Pole number: 3 ▶ Fire class per EN 50575: E_{ca} ▶ Coding: A ▶ 1 mm² ▶ Marking: L ⊕ N ▶ PVC ▶ H05VV-F 3G1 ▶ General mains applications



Interconnecting cable ▶ Socket - Plug ▶ Protection type: IP20; IP40 when mated			
Total length	Connector color / Strain relief color		PU
	black / black	white / white	
1 m	891-8993/005-101	891-8993/005-102	1
2 m	891-8993/005-201	891-8993/005-202	1
3 m	891-8993/005-301	891-8993/005-302	1
4 m	891-8993/005-401	891-8993/005-402	1
5 m	891-8993/005-501	891-8993/005-502	1
6 m	891-8993/005-601	891-8993/005-602	1
7 m	891-8993/005-701	891-8993/005-702	1
8 m	891-8993/005-801	891-8993/005-802	1

Connecting cable ▶ Socket - free end ▶ Protection type: IP40			
Total length	Connector color / Strain relief color		PU
	black / black	white / white	
1 m	891-8993/105-101	891-8993/105-102	1
2 m	891-8993/105-201	891-8993/105-202	1
3 m	891-8993/105-301	891-8993/105-302	1
4 m	891-8993/105-401	891-8993/105-402	1
5 m	891-8993/105-501	891-8993/105-502	1
6 m	891-8993/105-601	891-8993/105-602	1
7 m	891-8993/105-701	891-8993/105-702	1
8 m	891-8993/105-801	891-8993/105-802	1

Connecting cable ▶ Plug - free end ▶ Protection type: IP20; IP40 when mated			
Total length	Connector color / Strain relief color		PU
	black / black	white / white	
1 m	891-8993/205-101	891-8993/205-102	1
2 m	891-8993/205-201	891-8993/205-202	1
3 m	891-8993/205-301	891-8993/205-302	1
4 m	891-8993/205-401	891-8993/205-402	1
5 m	891-8993/205-501	891-8993/205-502	1
6 m	891-8993/205-601	891-8993/205-602	1
7 m	891-8993/205-701	891-8993/205-702	1
8 m	891-8993/205-801	891-8993/205-802	1

Accessories; for all products on this page



Locking lever; for flying leads; manually operated



Locking lever; for flying leads; tool operated



Mounting carrier; for flying leads; 2- to 5-pole

Color	Item No.	PU (SPU)
● black	890-101	100 (50)
○ white	890-121	100 (50)

Color	Item No.	PU (SPU)
● black	890-111	100 (50)
○ white	890-131	100 (50)

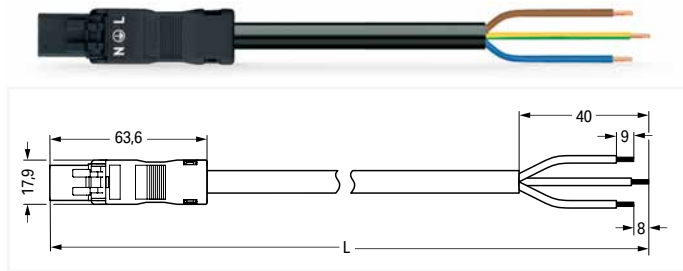
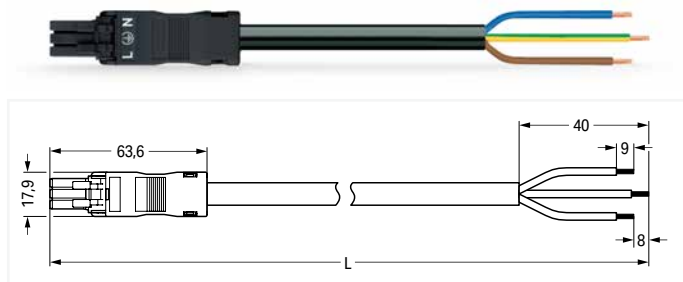
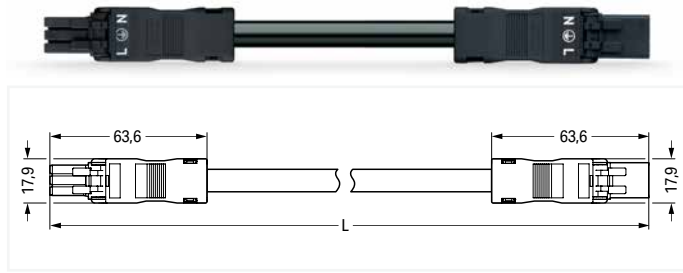
Color	Item No.	PU
● black	890-310	100
○ white	890-311	100

PU = packaging unit; SPU = subpackaging unit; Dimensions in mm

Cable assembly ▶ WINSTA® MINI ▶ 891 Series

Pole number: 3 ▶ Fire class per EN 50575: E_{ca} ▶ Coding: A ▶ 1 mm² ▶ Marking: L ⊕ N ▶ Halogen-free
▶ H05Z1Z1-F 3G1 ▶ General mains applications

1



Interconnecting cable ▶ Socket - Plug ▶ Protection type: IP20; IP40 when mated

Total length	Connector color / Strain relief color		PU
	black / black	white / white	
1 m	891-8993/015-101	891-8993/015-102	1
2 m	891-8993/015-201	891-8993/015-202	1
3 m	891-8993/015-301	891-8993/015-302	1
4 m	891-8993/015-401	891-8993/015-402	1
5 m	891-8993/015-501	891-8993/015-502	1
6 m	891-8993/015-601	891-8993/015-602	1
7 m	891-8993/015-701	891-8993/015-702	1
8 m	891-8993/015-801	891-8993/015-802	1

Connecting cable ▶ Socket - free end ▶ Protection type: IP40

Total length	Connector color / Strain relief color		PU
	black / black	white / white	
1 m	891-8993/115-101	891-8993/115-102	1
2 m	891-8993/115-201	891-8993/115-202	1
3 m	891-8993/115-301	891-8993/115-302	1
4 m	891-8993/115-401	891-8993/115-402	1
5 m	891-8993/115-501	891-8993/115-502	1
6 m	891-8993/115-601	891-8993/115-602	1
7 m	891-8993/115-701	891-8993/115-702	1
8 m	891-8993/115-801	891-8993/115-802	1

Connecting cable ▶ Plug - free end ▶ Protection type: IP20; IP40 when mated

Total length	Connector color / Strain relief color		PU
	black / black	white / white	
1 m	891-8993/215-101	891-8993/215-102	1
2 m	891-8993/215-201	891-8993/215-202	1
3 m	891-8993/215-301	891-8993/215-302	1
4 m	891-8993/215-401	891-8993/215-402	1
5 m	891-8993/215-501	891-8993/215-502	1
6 m	891-8993/215-601	891-8993/215-602	1
7 m	891-8993/215-701	891-8993/215-702	1
8 m	891-8993/215-801	891-8993/215-802	1

Accessories; for all products on this page



Locking lever; for flying leads; manually operated



Locking lever; for flying leads; tool operated



Mounting carrier; for flying leads; 2- to 5-pole

Color	Item No.	PU (SPU)
● black	890-101	100 (50)
○ white	890-121	100 (50)

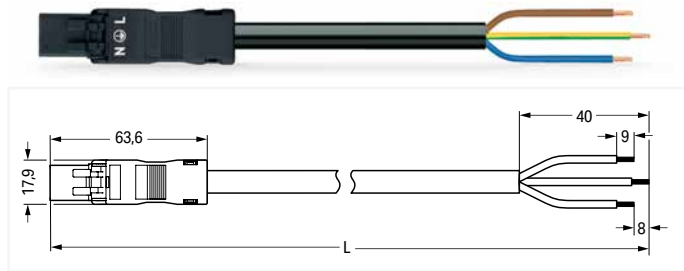
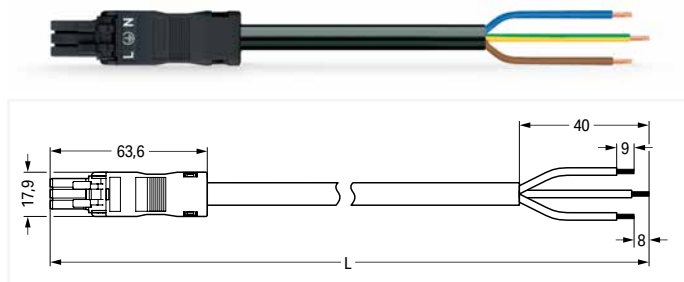
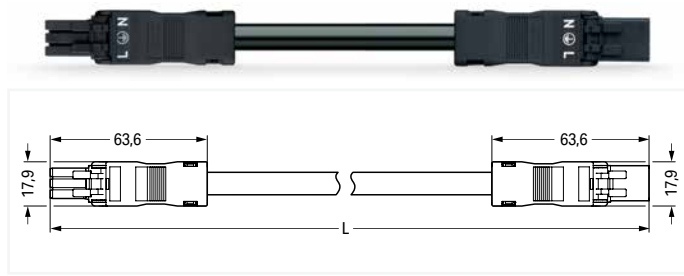
Color	Item No.	PU (SPU)
● black	890-111	100 (50)
○ white	890-131	100 (50)

Color	Item No.	PU
● black	890-310	100
○ white	890-311	100

PU = packaging unit; SPU = subpackaging unit; Dimensions in mm

Cable assembly ▶ WINSTA® MINI ▶ 891 Series

Pole number: 3 ▶ Fire class per EN 50575: E_{ca} ▶ Coding: A ▶ 1.5 mm² ▶ Marking: L ⊕ N ▶ PVC ▶ H05VV-F 3G1.5 ▶ General mains applications



Interconnecting cable ▶ Socket - Plug ▶ Protection type: IP20; IP40 when mated

Total length	Connector color / Strain relief color		PU
	black / black	white / white	
1 m	891-8993/006-101	891-8993/006-102	1
2 m	891-8993/006-201	891-8993/006-202	1
3 m	891-8993/006-301	891-8993/006-302	1
4 m	891-8993/006-401	891-8993/006-402	1
5 m	891-8993/006-501	891-8993/006-502	1
6 m	891-8993/006-601	891-8993/006-602	1
7 m	891-8993/006-701	891-8993/006-702	1
8 m	891-8993/006-801	891-8993/006-802	1

Connecting cable ▶ Socket - free end ▶ Protection type: IP40

Total length	Connector color / Strain relief color		PU
	black / black	white / white	
1 m	891-8993/106-101	891-8993/106-102	1
2 m	891-8993/106-201	891-8993/106-202	1
3 m	891-8993/106-301	891-8993/106-302	1
4 m	891-8993/106-401	891-8993/106-402	1
5 m	891-8993/106-501	891-8993/106-502	1
6 m	891-8993/106-601	891-8993/106-602	1
7 m	891-8993/106-701	891-8993/106-702	1
8 m	891-8993/106-801	891-8993/106-802	1

Connecting cable ▶ Plug - free end ▶ Protection type: IP20; IP40 when mated

Total length	Connector color / Strain relief color		PU
	black / black	white / white	
1 m	891-8993/206-101	891-8993/206-102	1
2 m	891-8993/206-201	891-8993/206-202	1
3 m	891-8993/206-301	891-8993/206-302	1
4 m	891-8993/206-401	891-8993/206-402	1
5 m	891-8993/206-501	891-8993/206-502	1
6 m	891-8993/206-601	891-8993/206-602	1
7 m	891-8993/206-701	891-8993/206-702	1
8 m	891-8993/206-801	891-8993/206-802	1

Accessories; for all products on this page



Locking lever; for flying leads; manually operated



Locking lever; for flying leads; tool operated



Mounting carrier; for flying leads; 2- to 5-pole

Color	Item No.	PU (SPU)
● black	890-101	100 (50)
○ white	890-121	100 (50)

Color	Item No.	PU (SPU)
● black	890-111	100 (50)
○ white	890-131	100 (50)

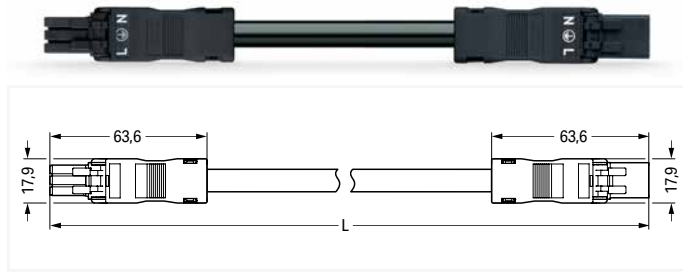
Color	Item No.	PU
● black	890-310	100
○ white	890-311	100

PU = packaging unit; SPU = subpackaging unit; Dimensions in mm

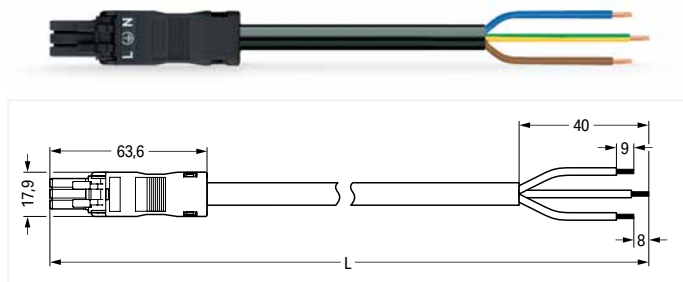
Cable assembly ▶ WINSTA® MINI ▶ 891 Series

Pole number: 3 ▶ Fire class per EN 50575: E_{ca} ▶ Coding: A ▶ 1.5 mm² ▶ Marking: L ⊕ N ▶ Halogen-free ▶ H05Z1Z1-F 3G1.5 ▶ General mains applications

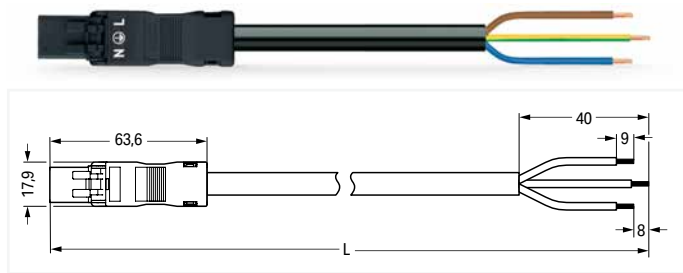
1



Interconnecting cable ▶ Socket - Plug ▶ Protection type: IP20; IP40 when mated			
Total length	Connector color / Strain relief color		PU
	black / black	white / white	
1 m	891-8993/016-101	891-8993/016-102	1
2 m	891-8993/016-201	891-8993/016-202	1
3 m	891-8993/016-301	891-8993/016-302	1
4 m	891-8993/016-401	891-8993/016-402	1
5 m	891-8993/016-501	891-8993/016-502	1
6 m	891-8993/016-601	891-8993/016-602	1
7 m	891-8993/016-701	891-8993/016-702	1
8 m	891-8993/016-801	891-8993/016-802	1



Connecting cable ▶ Socket - free end ▶ Protection type: IP40			
Total length	Connector color / Strain relief color		PU
	black / black	white / white	
1 m	891-8993/116-101	891-8993/116-102	1
2 m	891-8993/116-201	891-8993/116-202	1
3 m	891-8993/116-301	891-8993/116-302	1
4 m	891-8993/116-401	891-8993/116-402	1
5 m	891-8993/116-501	891-8993/116-502	1
6 m	891-8993/116-601	891-8993/116-602	1
7 m	891-8993/116-701	891-8993/116-702	1
8 m	891-8993/116-801	891-8993/116-802	1



Connecting cable ▶ Plug - free end ▶ Protection type: IP20; IP40 when mated			
Total length	Connector color / Strain relief color		PU
	black / black	white / white	
1 m	891-8993/216-101	891-8993/216-102	1
2 m	891-8993/216-201	891-8993/216-202	1
3 m	891-8993/216-301	891-8993/216-302	1
4 m	891-8993/216-401	891-8993/216-402	1
5 m	891-8993/216-501	891-8993/216-502	1
6 m	891-8993/216-601	891-8993/216-602	1
7 m	891-8993/216-701	891-8993/216-702	1
8 m	891-8993/216-801	891-8993/216-802	1

Accessories; for all products on this page



Locking lever; for flying leads; manually operated



Locking lever; for flying leads; tool operated



Mounting carrier; for flying leads; 2- to 5-pole

Color	Item No.	PU (SPU)
● black	890-101	100 (50)
○ white	890-121	100 (50)

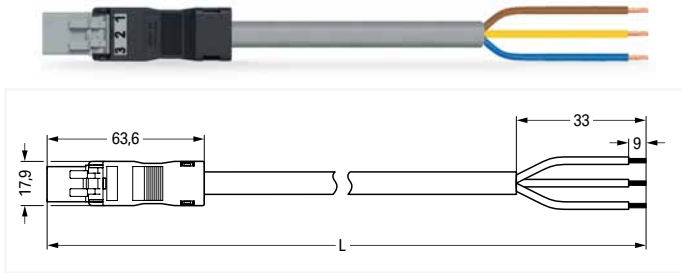
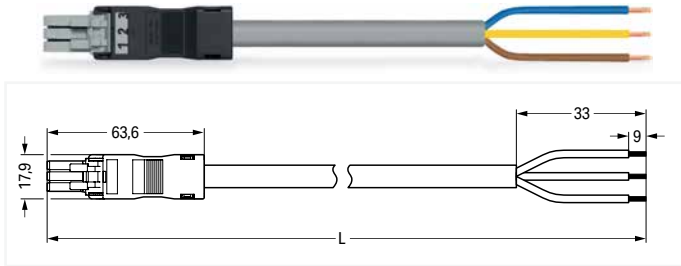
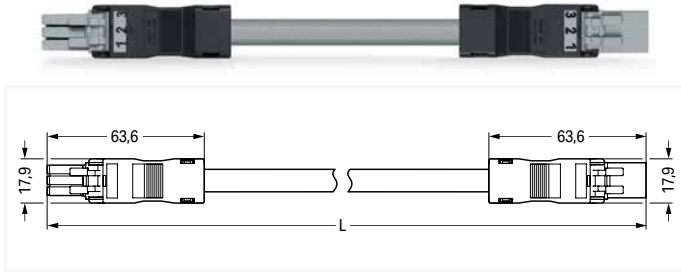
Color	Item No.	PU (SPU)
● black	890-111	100 (50)
○ white	890-131	100 (50)

Color	Item No.	PU
● black	890-310	100
○ white	890-311	100

PU = packaging unit; SPU = subpackaging unit; Dimensions in mm

Cable assembly ▶ WINSTA® MINI ▶ 891 Series

Pole number: 3 ▶ Fire class per EN 50575: E_{ca} ▶ Coding: B ▶ 1 mm² ▶ Marking: 1 2 3 ▶ PVC ▶ H05VV-F 3x1 ▶ Control technology



Interconnecting cable ▶ Socket - Plug ▶ Protection type: IP20; IP40 when mated

Total length	Connector color / Strain relief color			PU
	gray / black	light green / black	pink / black	
1 m	891-8993/005-103	891-8993/005-105	891-8993/005-107	1
2 m	891-8993/005-203	891-8993/005-205	891-8993/005-207	1
3 m	891-8993/005-303	891-8993/005-305	891-8993/005-307	1
4 m	891-8993/005-403	891-8993/005-405	891-8993/005-407	1
5 m	891-8993/005-503	891-8993/005-505	891-8993/005-507	1
6 m	891-8993/005-603	891-8993/005-605	891-8993/005-607	1
7 m	891-8993/005-703	891-8993/005-705	891-8993/005-707	1
8 m	891-8993/005-803	891-8993/005-805	891-8993/005-807	1

Connecting cable ▶ Socket - free end ▶ Protection type: IP40

Total length	Connector color / Strain relief color			PU
	gray / black	light green / black	pink / black	
1 m	891-8993/105-103	891-8993/105-105	891-8993/105-107	1
2 m	891-8993/105-203	891-8993/105-205	891-8993/105-207	1
3 m	891-8993/105-303	891-8993/105-305	891-8993/105-307	1
4 m	891-8993/105-403	891-8993/105-405	891-8993/105-407	1
5 m	891-8993/105-503	891-8993/105-505	891-8993/105-507	1
6 m	891-8993/105-603	891-8993/105-605	891-8993/105-607	1
7 m	891-8993/105-703	891-8993/105-705	891-8993/105-707	1
8 m	891-8993/105-803	891-8993/105-805	891-8993/105-807	1

Connecting cable ▶ Plug - free end ▶ Protection type: IP20; IP40 when mated

Total length	Connector color / Strain relief color			PU
	gray / black	light green / black	pink / black	
1 m	891-8993/205-103	891-8993/205-105	891-8993/205-107	1
2 m	891-8993/205-203	891-8993/205-205	891-8993/205-207	1
3 m	891-8993/205-303	891-8993/205-305	891-8993/205-307	1
4 m	891-8993/205-403	891-8993/205-405	891-8993/205-407	1
5 m	891-8993/205-503	891-8993/205-505	891-8993/205-507	1
6 m	891-8993/205-603	891-8993/205-605	891-8993/205-607	1
7 m	891-8993/205-703	891-8993/205-705	891-8993/205-707	1
8 m	891-8993/205-803	891-8993/205-805	891-8993/205-807	1

Accessories; for all products on this page



Locking lever; for flying leads; manually operated



Locking lever; for flying leads; tool operated



Mounting carrier; for flying leads; 2- to 5-pole

Color	Item No.	PU (SPU)
● black	890-101	100 (50)
○ white	890-121	100 (50)

Color	Item No.	PU (SPU)
● black	890-111	100 (50)
○ white	890-131	100 (50)

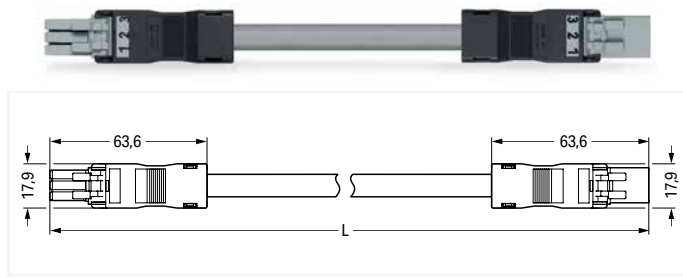
Color	Item No.	PU
● black	890-310	100
○ white	890-311	100

PU = packaging unit; SPU = subpackaging unit; Dimensions in mm

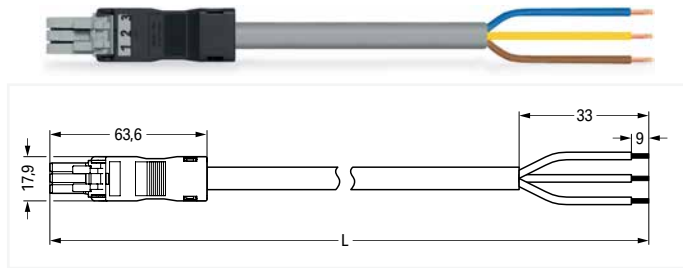
Cable assembly ▶ WINSTA® MINI ▶ 891 Series

Pole number: 3 ▶ Fire class per EN 50575: E_{ca} ▶ Coding: B ▶ 1.5 mm² ▶ Marking: 1 2 3 ▶ PVC ▶ H05VV-F 3x1.5 ▶ Control technology

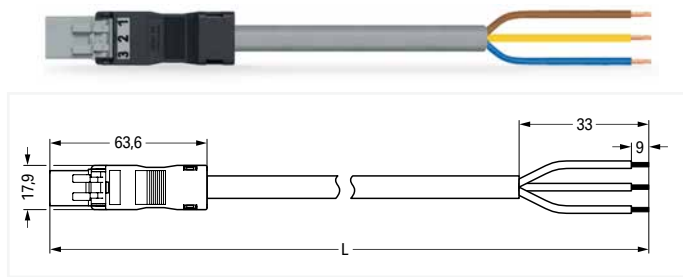
1



Interconnecting cable ▶ Socket - Plug ▶ Protection type: IP20; IP40 when mated				
Total length	Connector color / Strain relief color			PU
	gray / black	light green / black	pink / black	
1 m	891-8993/006-103	891-8993/006-105	891-8993/006-107	1
2 m	891-8993/006-203	891-8993/006-205	891-8993/006-207	1
3 m	891-8993/006-303	891-8993/006-305	891-8993/006-307	1
4 m	891-8993/006-403	891-8993/006-405	891-8993/006-407	1
5 m	891-8993/006-503	891-8993/006-505	891-8993/006-507	1
6 m	891-8993/006-603	891-8993/006-605	891-8993/006-607	1
7 m	891-8993/006-703	891-8993/006-705	891-8993/006-707	1
8 m	891-8993/006-803	891-8993/006-805	891-8993/006-807	1






Connecting cable ▶ Socket - free end ▶ Protection type: IP40				
Total length	Connector color / Strain relief color			PU
	gray / black	light green / black	pink / black	
1 m	891-8993/106-103	891-8993/106-105	891-8993/106-107	1
2 m	891-8993/106-203	891-8993/106-205	891-8993/106-207	1
3 m	891-8993/106-303	891-8993/106-305	891-8993/106-307	1
4 m	891-8993/106-403	891-8993/106-405	891-8993/106-407	1
5 m	891-8993/106-503	891-8993/106-505	891-8993/106-507	1
6 m	891-8993/106-603	891-8993/106-605	891-8993/106-607	1
7 m	891-8993/106-703	891-8993/106-705	891-8993/106-707	1
8 m	891-8993/106-803	891-8993/106-805	891-8993/106-807	1



Connecting cable ▶ Plug - free end ▶ Protection type: IP20; IP40 when mated				
Total length	Connector color / Strain relief color			PU
	gray / black	light green / black	pink / black	
1 m	891-8993/206-103	891-8993/206-105	891-8993/206-107	1
2 m	891-8993/206-203	891-8993/206-205	891-8993/206-207	1
3 m	891-8993/206-303	891-8993/206-305	891-8993/206-307	1
4 m	891-8993/206-403	891-8993/206-405	891-8993/206-407	1
5 m	891-8993/206-503	891-8993/206-505	891-8993/206-507	1
6 m	891-8993/206-603	891-8993/206-605	891-8993/206-607	1
7 m	891-8993/206-703	891-8993/206-705	891-8993/206-707	1
8 m	891-8993/206-803	891-8993/206-805	891-8993/206-807	1

Accessories; for all products on this page

	Locking lever; for flying leads; manually operated		Locking lever; for flying leads; tool operated		Mounting carrier; for flying leads; 2- to 5-pole			
Color	Item No.	PU (SPU)	Color	Item No.	PU (SPU)	Color	Item No.	PU
● black	890-101	100 (50)	● black	890-111	100 (50)	● black	890-310	100
○ white	890-121	100 (50)	○ white	890-131	100 (50)	○ white	890-311	100

PU = packaging unit; SPU = subpackaging unit; Dimensions in mm

Pluggable connectors ▶ WINSTA® MINI ▶ 890 Series

Pole number: 4



- Protected against mismatching and maintenance-free
- Push-in CAGE CLAMP® spring pressure connection technology allows solid conductors to be simply pushed into a unit.
- Low profile with 4.4 mm pole spacing
- When assembled, the installation connectors comply with IP40 and are suitable for easily accessible areas.

Electrical data						
Coding	A			B		
Ratings per	IEC/EN 60664-1			IEC/EN 60664-1		
Overvoltage category	III	III	II	III	III	II
Pollution degree	3	2	2	3	2	2
Nominal voltage	400 V	-	-	400 V	-	-
Rated surge voltage	6 kV	-	-	6 kV	-	-
Rated current	16 A	-	-	16 A	-	-
Rated current (note)				13 A for 3-pole load 10 A for 4-pole load		

Connection data	
Connection technology	Push-in CAGE CLAMP®
Strip length	9 mm / 0.35 inches
Nominal cross-section	1.5 mm ² / 16 AWG
Solid conductor	0.25 ... 1.5 mm ² / 22 ... 16 AWG
Solid conductor; push-in termination	0.75 ... 1.5 mm ² / 20 ... 16 AWG
Stranded conductor	0.25 ... 1 mm ² / 22 ... 18 AWG
Fine-stranded conductor	0.25 ... 1.5 mm ² / 22 ... 16 AWG
Fine-stranded conductor; with insulated ferrule	0.25 ... 0.75 mm ² / 22 ... 20 AWG
Fine-stranded conductor; with uninsulated ferrule	0.25 ... 0.75 mm ² / 22 ... 20 AWG
Fine-stranded conductor; with ferrule; push-in termination	0.75 mm ² / 20 AWG

Material data	
Material group	I
Insulation material (main housing)	Polyamide (PA66)
Flammability class per UL94	V0
Clamping spring material	Chrome-nickel spring steel (CrNi)
Contact material	Copper or copper alloy; surface-treated
Contact Plating	Tin

Mechanical data	
Number of mating cycles	200, without resistive load
Mating force of a plug-in connection	approx. 20 ... 70 N (depending on pole number)
Unmating force of a plug-in connection	Unlocked: approx. 20 ... 70 N (depending on pole number)
Retention force of a plug-in connection	Locked: > 80 N

Environmental requirements	
Processing temperature	-5 ... +40 °C
Continuous operating temperature	-35 ... +85 °C
Note on continuous operating temperature	Insulating parts for temperatures ≤ 105 °C

Note:

All WINSTA® components are 100% protected against mismatching when:

- plugging different numbers of poles
- plugging while rotated 180
- plugging while laterally staggered
- plugging one pole

All connectors for mounted installations (snap-in versions for lighting fixtures or devices, all types of PCB and distribution connectors) are factory-equipped with locking levers to ensure plugs and sockets are securely locked. Additional locking levers are only required for flying leads (plug/socket).

Cover	Page 370
Shield termination	Page 369
Tool	Page 394
See technical section for further information	
Approvals and corresponding ratings, visit www.wago.com	

Pluggable connectors ► WINSTA® MINI ► 890 Series

Pole number: 4

Female connector/socket ► Strain relief housing ► Strip length (outer insulation): 45 mm
► Connectable sheathed cable diameter: 6.5 ... 10.5 mm ► Protection type: IP40

Male connector/plug ► Strain relief housing ► Strip length (outer insulation): 45 mm ►
Connectable sheathed cable diameter: 6.5 ... 10.5 mm ► Protection type: IP40



890-104



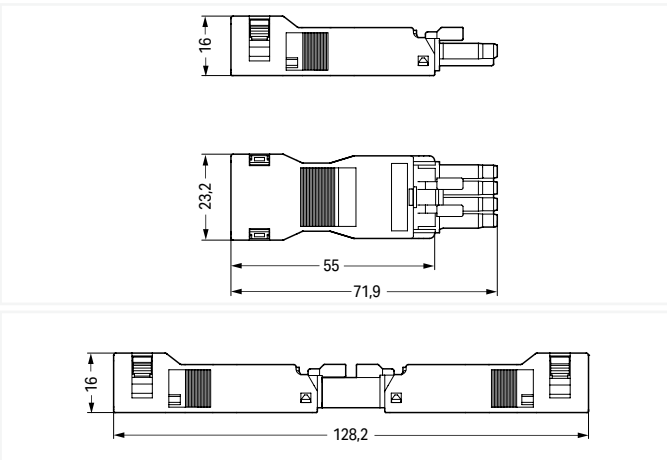
890-114

General mains applications

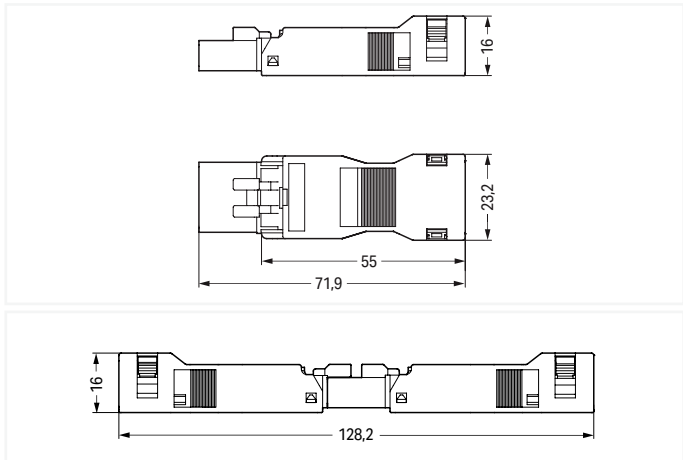
Color	Coding	Marking	Item No.	PU
● black	A	N ⊕ 2/L 1/L'	890-104	50
○ white	A	N ⊕ 2/L 1/L'	890-124	50

General mains applications

Color	Coding	Marking	Item No.	PU
● black	A	1/L' 2/L ⊕ N	890-114	50
○ white	A	1/L' 2/L ⊕ N	890-134	50



Overall length when mated



Overall length when mated

Accessories; for all products on this page



Locking lever; for flying leads; manually operated

Color	Item No.	PU (SPU)
● black	890-101	100 (50)
○ white	890-121	100 (50)



Locking lever; for flying leads; tool operated

Color	Item No.	PU (SPU)
● black	890-111	100 (50)
○ white	890-131	100 (50)



Operating tool; 4-times

Color	Item No.	PU
● green	890-384	1



Mounting carrier; for flying leads; 2- to 5-pole

Color	Item No.	PU
● black	890-310	100
○ white	890-311	100

PU = packaging unit; SPU = subpackaging unit; Dimensions in mm

Pluggable connectors ▶ WINSTA® MINI ▶ 890 Series

Pole number: 4

Female connector/socket ▶ Protection type: IP20; IP40 with strain relief housing

Male connector/plug ▶ Protection type: IP20; IP40 when mated with strain relief housing



General mains applications

Color	Coding	Marking	Item No.	PU
● black	A	N ⊕ 2/L 1/L'	890-204	50
○ white	A	N ⊕ 2/L 1/L'	890-224	50

Control technology

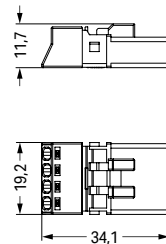
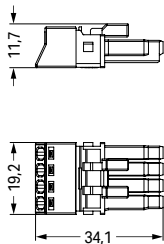
Color	Coding	Marking	Item No.	PU
○ gray	B	1 2 3 4	890-244	50
○ gray	B	N ⊕ 2/L 1/L'	890-244/060-000	50
○ gray	B	3 PE 2 1	890-244/062-000	50
○ gray	B	2L ⊕ 1L L	890-244/064-000	50
● light green	B	1 2 3 4	890-264	50
● light green	B	U- S U+ X/Y	890-264/071-000	50
● light green	B	U- U+ DI AI	890-264/072-000	50
● light green	B	1 ⊕ 2 3	890-264/073-000	50
● pink	B	1 2 3 4	890-284	50
● pink	B	1 2 5 3	890-284/081-000	50

General mains applications

Color	Coding	Marking	Item No.	PU (SPU)
● black	A	1/L' 2/L ⊕ N	890-214	50 (19)
○ white	A	1/L' 2/L ⊕ N	890-234	50

Control technology

Color	Coding	Marking	Item No.	PU
○ gray	B	4 3 2 1	890-254	50
○ gray	B	1/L' 2/L ⊕ N	890-254/060-000	50
○ gray	B	1 2 PE 3	890-254/062-000	50
○ gray	B	L 1L ⊕ 2L	890-254/064-000	50
● light green	B	4 3 2 1	890-274	50
● light green	B	X/Y U+ S U-	890-274/071-000	50
● light green	B	AI DI U+ U-	890-274/072-000	50
● light green	B	3 2 ⊕ 1	890-274/073-000	50
● pink	B	4 3 2 1	890-294	50
● pink	B	3 5 2 1	890-294/081-000	50



Accessories; for all products on this page



Locking lever; for flying leads; manually operated

Color	Item No.	PU (SPU)
● black	890-101	100 (50)
○ white	890-121	100 (50)



Locking lever; for flying leads; tool operated

Color	Item No.	PU (SPU)
● black	890-111	100 (50)
○ white	890-131	100 (50)



Strain relief housing; Connectable sheathed cable diameter: 6.5 ... 10.5 mm; Strip length (outer insulation): 45 mm

Color	Item No.	PU
● black	890-504	50
○ white	890-514	50



Operating tool; 4-times

Color	Item No.	PU
● green	890-384	1



Mounting carrier; for flying leads; 2- to 5-pole

Color	Item No.	PU
● black	890-310	100
○ white	890-311	100

PU = packaging unit; SPU = subpackaging unit; Dimensions in mm

Snap-in device connector ▶ WINSTA® MINI ▶ 890 Series

Pole number: 4

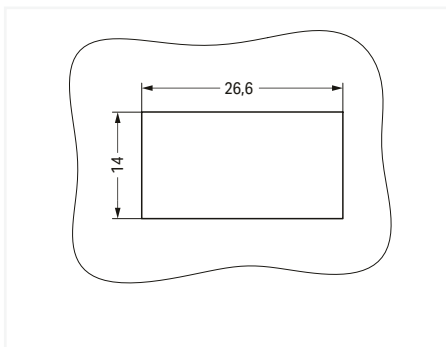


Plate thickness: 0.5 ... 2 mm
Cutout tolerance: + 0.1 mm

Please note!

- Protected against mismatching and maintenance-free
- Push-in CAGE CLAMP® spring pressure connection technology allows solid conductors to be simply pushed into a unit.
- Low profile with 4.4 mm pole spacing
- When assembled, the installation connectors comply with IP40 and are suitable for easily accessible areas.

Electrical data						
Coding	A			B		
Ratings per	IEC/EN 60664-1			IEC/EN 60664-1		
Overvoltage category	III	III	II	III	III	II
Pollution degree	3	2	2	3	2	2
Nominal voltage	400 V	-	-	400 V	-	-
Rated surge voltage	6 kV	-	-	6 kV	-	-
Rated current	16 A	-	-	16 A	-	-
Rated current (note)				13 A for 3-pole load 10 A for 4-pole load		

Connection data	
Connection technology	Push-in CAGE CLAMP®
Strip length	9 mm / 0.35 inches
Nominal cross-section	1.5 mm² / 16 AWG
Solid conductor	0.25 ... 1.5 mm² / 22 ... 16 AWG
Solid conductor; push-in termination	0.75 ... 1.5 mm² / 20 ... 16 AWG
Stranded conductor	0.25 ... 1 mm² / 22 ... 18 AWG
Fine-stranded conductor	0.25 ... 1.5 mm² / 22 ... 16 AWG
Fine-stranded conductor; with insulated ferrule	0.25 ... 0.75 mm² / 22 ... 20 AWG
Fine-stranded conductor; with uninsulated ferrule	0.25 ... 0.75 mm² / 22 ... 20 AWG
Fine-stranded conductor; with ferrule; push-in termination	0.75 mm² / 20 AWG

Material data	
Insulation material (main housing)	Polyamide (PA66)
Clamping spring material	Chrome-nickel spring steel (CrNi)
Contact material	Copper or copper alloy; surface-treated
Contact Plating	Tin

Mechanical data	
Number of mating cycles	200, without resistive load
Mating force of a plug-in connection	approx. 20 ... 70 N (depending on pole number)
Unmating force of a plug-in connection	Unlocked: approx. 20 ... 70 N (depending on pole number)
Retention force of a plug-in connection	Locked: > 80 N

Environmental requirements	
Processing temperature	-5 ... +40 °C
Continuous operating temperature	-35 ... +85 °C
Note on continuous operating temperature	Insulating parts for temperatures ≤ 105 °C

Note:

The snap-in connectors must be relieved of tensile and transverse forces.

A surface finish can influence the edge radius of the cutouts. This may affect the snap-in socket fit, so ensure an adequate fit before use. In addition, the punched edge should be on the inside for punched cutouts.

The wings of the snap-in connectors must not be mechanically stressed for a long period before use (e.g., due to a pre-locking position).

All WINSTA® components are 100% protected against mismatching when:

- plugging different numbers of poles
- plugging while rotated 180
- plugging while laterally staggered
- plugging one pole

All connectors for mounted installations (snap-in versions for lighting fixtures or devices, all types of PCB and distribution connectors) are factory-equipped with locking levers to ensure plugs and sockets are securely locked. Additional locking levers are only required for flying leads (plug/socket).

Tool Page 394

See technical section for further information

Approvals and corresponding ratings, visit www.wago.com

Snap-in device connector ▶ WINSTA® MINI ▶ 890 Series

Pole number: 4

Female connector/socket ▶ Protection type: IP40

Male connector/plug ▶ Protection type: IP20; IP40 when mated



1

General mains applications

Color	Coding	Marking	Item No.	PU (SPU)
● black	A	N ⊕ 2/L 1/L'	890-704	50 (50)
○ white	A	N ⊕ 2/L 1/L'	890-724	50 (50)

Control technology

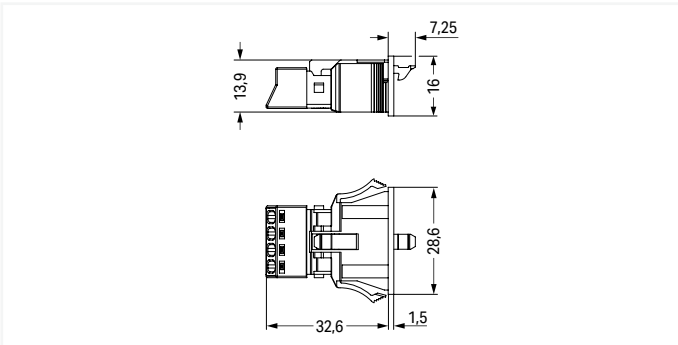
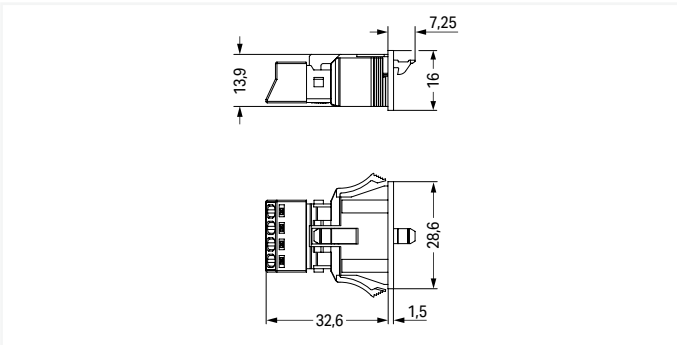
Color	Coding	Marking	Item No.	PU (SPU)
○ gray	B	1 2 3 4	890-744	50 (50)
○ gray	B	N ⊕ 2/L 1/L'	890-744/060-000	50 (50)
○ gray	B	3 PE 2 1	890-744/062-000	50 (50)
○ gray	B	2L ⊕ 1L L	890-744/064-000	50 (50)
● light green	B	1 2 3 4	890-764	50 (50)
● light green	B	U- S U+ X/Y	890-764/071-000	50 (50)
● light green	B	U- U+ DI AI	890-764/072-000	50 (50)
● light green	B	1 ⊕ 2 3	890-764/073-000	50 (50)
● pink	B	1 2 3 4	890-784	50 (50)
● pink	B	1 2 5 3	890-784/081-000	50 (50)

General mains applications

Color	Coding	Marking	Item No.	PU (SPU)
● black	A	1/L' 2/L ⊕ N	890-714	50 (50)
○ white	A	1/L' 2/L ⊕ N	890-734	50 (50)

Control technology

Color	Coding	Marking	Item No.	PU (SPU)
○ gray	B	4 3 2 1	890-754	50 (50)
○ gray	B	1/L' 2/L ⊕ N	890-754/060-000	50 (50)
○ gray	B	1 2 PE 3	890-754/062-000	50 (50)
○ gray	B	L 1L ⊕ 2L	890-754/064-000	50 (50)
● light green	B	4 3 2 1	890-774	50 (50)
● light green	B	X/Y U+ S U-	890-774/071-000	50 (50)
● light green	B	AI DI U+ U-	890-774/072-000	50 (50)
● light green	B	3 2 ⊕ 1	890-774/073-000	50 (50)
● pink	B	4 3 2 1	890-794	50 (50)
● pink	B	3 5 2 1	890-794/081-000	50 (50)



Accessories; for all products on this page



Operating tool; 4 -times



Lockout cap; for cutout; Pole number: 4

Color	Item No.	PU
● green	890-384	1

Color	Item No.	PU
● black	890-644	100
○ white	890-694	100

PU = packaging unit; SPU = subpackaging unit; Dimensions in mm

Pluggable PCB connector ▶ WINSTA® MINI ▶ 890 Series

Pole number: 4



- Protected against mismatching and maintenance-free
- Push-in CAGE CLAMP® spring pressure connection technology allows solid conductors to be simply pushed into a unit.
- Low profile with 4.4 mm pole spacing

Electrical data						
Coding	A			B		
Ratings per	IEC/EN 60664-1			IEC/EN 60664-1		
Overvoltage category	III	III	II	III	III	II
Pollution degree	3	2	2	3	2	2
Nominal voltage	250 V	-	-	250 V	-	-
Rated surge voltage	4 kV	-	-	4 kV	-	-
Rated current	16 A	-	-	16 A	-	-
Rated current (note)					13 A for 3-pole load	10 A for 4-pole load
Material data						
Material group	I					
Insulation material (main housing)	Polyamide (PA66)					
Flammability class per UL94	V0					
Clamping spring material	Chrome-nickel spring steel (CrNi)					
Contact material	Copper or copper alloy; surface-treated					
Contact Plating	Tin					
Mechanical data						
Solder pin arrangement	2 in-line solder pins/pole					
Number of solder pins per potential	2					
Solder pin length	3.5 mm					
Solder pin dimensions	1 x 0.8 mm					
Drilled hole diameter with tolerance	1.3 ^(+0.1) mm					
Mating force of a plug-in connection	approx. 20 ... 70 N (depending on pole number)					
Unmating force of a plug-in connection	Unlocked: approx. 20 ... 70 N (depending on pole number)					
Retention force of a plug-in connection	Locked: > 80 N					
Environmental requirements						
Processing temperature	-5 ... +40 °C					
Continuous operating temperature	-35 ... +85 °C					
Note on continuous operating temperature	Insulating parts for temperatures ≤ 105 °C					

Note:

All WINSTA® components are 100% protected against mismatching when:

- plugging different numbers of poles
- plugging while rotated 180
- plugging while laterally staggered
- plugging one pole

All connectors for mounted installations (snap-in versions for lighting fixtures or devices, all types of PCB and distribution connectors) are factory-equipped with locking levers to ensure plugs and sockets are securely locked. Additional locking levers are only required for flying leads (plug/socket).

See technical section for further information

Approvals and corresponding ratings, visit www.wago.com

Pluggable PCB connector ▶ WINSTA® MINI ▶ 890 Series

Pole number: 4

Female connector/socket ▶ straight

Male connector/plug ▶ straight



890-804

890-814

General mains applications

Color	Coding	Marking	Item No.	PU
● black	A	N ⊕ 2/L 1/L'	890-804	50
○ white	A	N ⊕ 2/L 1/L'	890-824	50

General mains applications

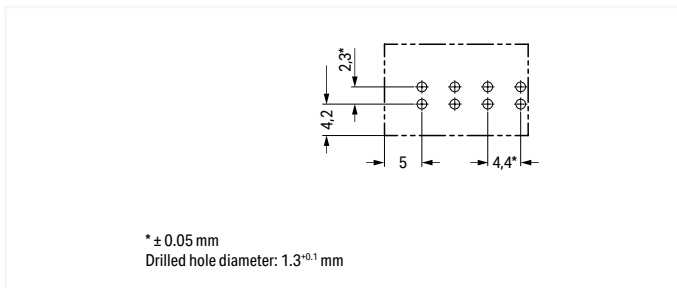
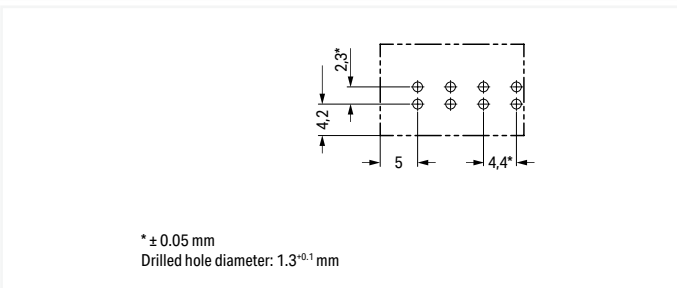
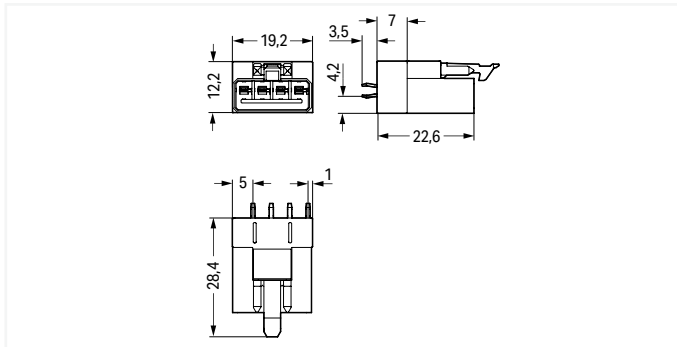
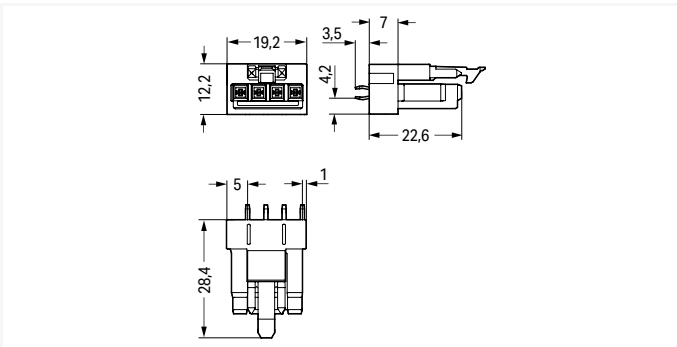
Color	Coding	Marking	Item No.	PU
● black	A	1/L' 2/L ⊕ N	890-814	50
○ white	A	1/L' 2/L ⊕ N	890-834	50

Control technology

Color	Coding	Marking	Item No.	PU
○ gray	B	1 2 3 4	890-844	50
● light green	B	1 2 3 4	890-864	50
● pink	B	1 2 3 4	890-884	50

Control technology

Color	Coding	Marking	Item No.	PU
○ gray	B	4 3 2 1	890-854	50
● light green	B	4 3 2 1	890-874	50
● pink	B	4 3 2 1	890-894	50



PU = packaging unit; SPU = subpackaging unit; Dimensions in mm

Pluggable PCB connector ▶ WINSTA® MINI ▶ 890 Series

Pole number: 4

Female connector/socket ▶ angled

Male connector/plug ▶ angled



1

890-804/011-000

890-814/011-000

General mains applications

Color	Coding	Marking	Item No.	PU
● black	A	N ⊕ 2/L 1/L'	890-804/011-000	50
○ white	A	N ⊕ 2/L 1/L'	890-824/011-000	50

Control technology

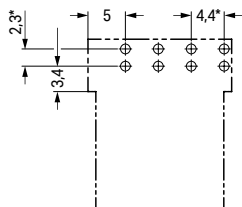
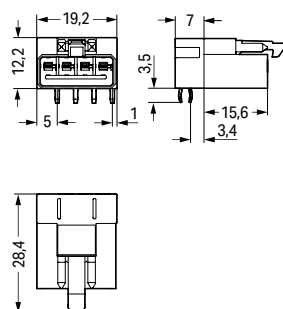
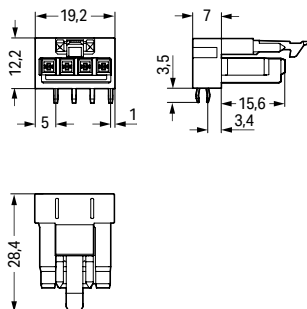
Color	Coding	Marking	Item No.	PU
○ gray	B	1 2 3 4	890-844/011-000	50
● light green	B	1 2 3 4	890-864/011-000	50
● pink	B	1 2 3 4	890-884/011-000	50

General mains applications

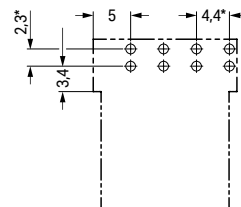
Color	Coding	Marking	Item No.	PU
● black	A	1/L' 2/L ⊕ N	890-814/011-000	50
○ white	A	1/L' 2/L ⊕ N	890-834/011-000	50

Control technology

Color	Coding	Marking	Item No.	PU
○ gray	B	4 3 2 1	890-854/011-000	50
● light green	B	4 3 2 1	890-874/011-000	50
● pink	B	4 3 2 1	890-894/011-000	50



* ± 0.05 mm
Drilled hole diameter: 1.3^{+0.1} mm



* ± 0.05 mm
Drilled hole diameter: 1.3^{+0.1} mm

Distribution connector ▶ WINSTA® MINI ▶ 890 Series

Pole number: 4 ▶ Protection type: IP20; IP40 when mated



- Protected against mismatching and maintenance-free
- Low profile with 4.4 mm pole spacing

Electrical data						
Coding	A			B		
Ratings per	IEC/EN 60664-1			IEC/EN 60664-1		
Overvoltage category	III	III	II	III	III	II
Pollution degree	3	2	2	3	2	2
Nominal voltage	400 V	-	-	400 V	-	-
Rated surge voltage	6 kV	-	-	6 kV	-	-
Rated current	16 A	-	-	16 A	-	-
Rated current (note)				13 A for 3-pole load 10 A for 4-pole load		
Material data						
Insulation material (main housing)	Polyamide (PA66)					
Flammability class per UL94	V0					
Contact material	Copper or copper alloy; surface-treated					
Contact Plating	Tin					
Mechanical data						
Number of mating cycles	200, without resistive load					
Mating force of a plug-in connection	Approx. 20 ... 70 N (depending on pole number)					
Unmating force of a plug-in connection	Unlocked: approx. 20 ... 70 N (depending on pole number)					
Retention force of a plug-in connection	When locked: > 80 N					
Protection type	IP20					
Note on protection type	IP40 when mated					
Number of inputs	1					
Environmental requirements						
Processing temperature	-5 ... +40 °C					
Continuous operating temperature	-35 ... +85 °C					
Note on continuous operating temperature	Insulating parts for temperatures ≤ 105 °C					

Note:

At least one snap-in connector **WITHOUT** a locking lever is required on one side when connecting two lights directly via intermediate coupler.

All WINSTA® components are 100% protected against mismatching when:

- plugging different numbers of poles
- plugging while rotated 180
- plugging while laterally staggered
- plugging one pole

All connectors for mounted installations (snap-in versions for lighting fixtures or devices, all types of PCB and distribution connectors) are factory-equipped with locking levers to ensure plugs and sockets are securely locked. Additional locking levers are only required for flying leads (plug/socket).

See technical section for further information

Approvals and corresponding ratings, visit www.wago.com

Distribution connector ▶ WINSTA® MINI ▶ 890 Series

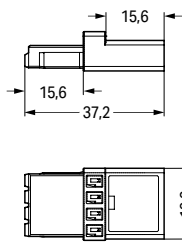
Pole number: 4 ▶ Protection type: IP20; IP40 when mated

Intermediate coupler



General mains applications

Color	Coding	Marking	Item No.	PU
● black	A	plain	890-604	50
○ white	A	plain	890-654	50



PU = packaging unit; SPU = subpackaging unit; Dimensions in mm

Distribution connector ▶ WINSTA® MINI ▶ 890 Series

Pole number: 4 ▶ Protection type: IP20; IP40 when mated

T-distribution connector

Number of locking levers: 2

Number of locking levers: 3 ▶ for flying leads

1



890-626

890-627

General mains applications

Color	Coding	Marking	Item No.	PU
● black	A	N ⊕ 2/L 1/L'	890-626	25
○ white	A	N ⊕ 2/L 1/L'	890-676	25

Control technology

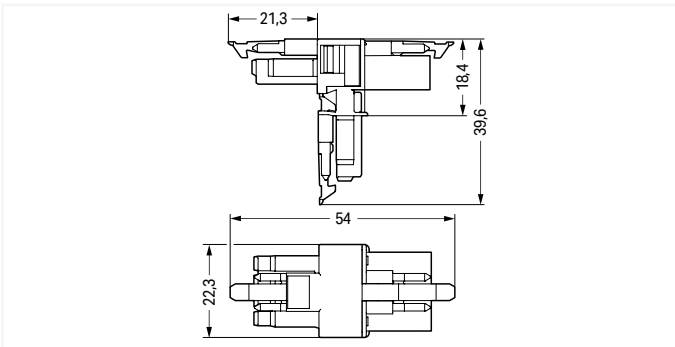
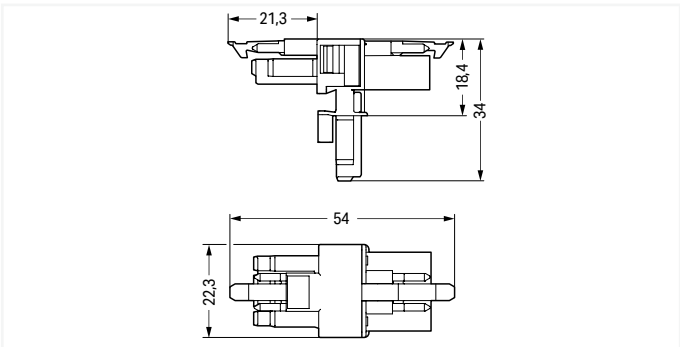
Color	Coding	Marking	Item No.	PU
○ gray	B	4 3 2 1	890-1631	25
● light green	B	4 3 2 1	890-1632	25
● pink	B	4 3 2 1	890-1633	25

General mains applications

Color	Coding	Marking	Item No.	PU
● black	A	N ⊕ 2/L 1/L'	890-627	25
○ white	A	N ⊕ 2/L 1/L'	890-677	25

Control technology

Color	Coding	Marking	Item No.	PU
○ gray	B	4 3 2 1	890-1731	25
● light green	B	4 3 2 1	890-1732	25
● pink	B	4 3 2 1	890-1733	25



PU = packaging unit; SPU = subpackaging unit; Dimensions in mm

Distribution connector ▶ WINSTA® MINI ▶ 890 Series

Pole number: 4 ▶ Protection type: IP20; IP40 when mated

h-distribution connector, outputs at one end

Number of locking levers: 2

Number of locking levers: 3 ▶ for flying leads

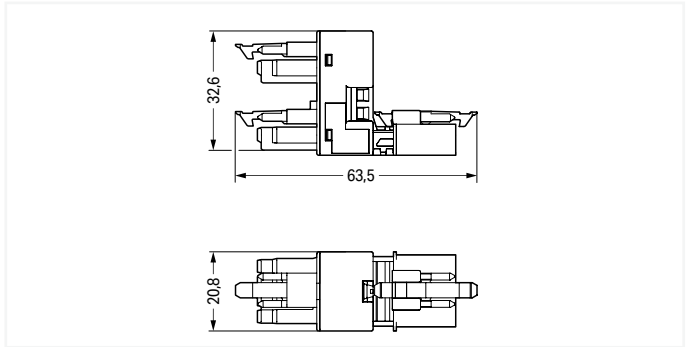
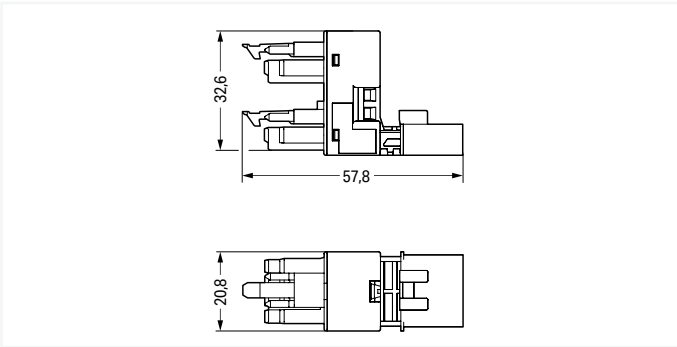


890-944

General mains applications				
Color	Coding	Marking	Item No.	PU
● black	A	N ⊕ 2/L 1/L'	890-944	50
○ white	A	N ⊕ 2/L 1/L'	890-994	50
Control technology				
Color	Coding	Marking	Item No.	PU
○ gray	B	1 2 3 4	890-1681	50
● light green	B	1 2 3 4	890-1682	50
● pink	B	1 2 3 4	890-1683	50

890-945

General mains applications				
Color	Coding	Marking	Item No.	PU
● black	A	N ⊕ 2/L 1/L'	890-945	50
○ white	A	N ⊕ 2/L 1/L'	890-995	50
Control technology				
Color	Coding	Marking	Item No.	PU
○ gray	B	1 2 3 4	890-1781	50
● light green	B	1 2 3 4	890-1782	50
● pink	B	1 2 3 4	890-1783	50



Accessories; for all products on this page



Mounting plate; for distribution connectors (except T-distribution connectors); 4-pole

Color	Item No.	PU (SPU)
● black	890-624	50 (50)
○ white	890-674	50 (50)

PU = packaging unit; SPU = subpackaging unit; Dimensions in mm

Distribution connector ▶ WINSTA® MINI ▶ 890 Series

Pole number: 4 ▶ Protection type: IP20; IP40 when mated

Distribution connector, 3-way ▶ Number of locking levers: 4

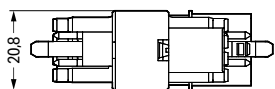
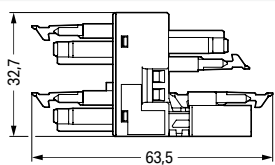
1



890-1734

Control technology

Color	Coding	Marking	Item No.	PU
○ gray	B	1 2 3 4	890-1734	50
● light green	B	1 2 3 4	890-1735	50
● pink	B	1 2 3 4	890-1736	50



Accessories; for all products on this page



Mounting plate; for distribution connectors (except T-distribution connectors); 4-pole

Color	Item No.	PU (SPU)
● black	890-624	50 (50)
○ white	890-674	50 (50)

PU = packaging unit; SPU = subpackaging unit; Dimensions in mm

Cable assembly ▶ WINSTA® MINI ▶ 891 Series

Pole number: 4 ▶ Fire class per EN 50575: E_{ca}

- Protected against mismatching and maintenance-free
- Low profile with 4.4 mm pole spacing

Electrical data									
Coding	A			B			B		
Wire cross-section	1.5 mm ²			1 mm ²			1.5 mm ²		
Ratings per	IEC/EN 60664-1			IEC/EN 60664-1			IEC/EN 60664-1		
Overtoltage category	III	III	II	III	III	II	III	III	II
Pollution degree	3	2	2	3	2	2	3	2	2
Nominal voltage	400 V	-	-	400 V	-	-	400 V	-	-
Rated surge voltage	6 kV	-	-	6 kV	-	-	6 kV	-	-
Rated current	16 A	-	-	10 A	-	-	16 A	-	-
Rated current (note)							13 A for 3-pole load 10 A for 4-pole load		
Material data									
Insulation material (main housing)	Polyamide (PA66)								
Contact material	Copper or copper alloy; surface-treated								
Contact Plating	Tin								
Fire class per EN 50575	E _{ca}								
Mechanical data									
Number of mating cycles	200, without resistive load								
Mating force of a plug-in connection	approx. 20 ... 70 N (depending on pole number)								
Unmating force of a plug-in connection	when unlocked: approx. 20 ... 70 N (depending on pole number)								
Retention force of a plug-in connection	when locked: > 80N								
Environmental requirements									
Processing temperature	-5 ... +40 °C								
Continuous operating temperature	-35 ... +85 °C								
Note on continuous operating temperature	Cable for temperatures ≤ 70 °C (including halogen-free) Insulating parts for temperatures ≤ 105 °C								

Note:

Cables with a different fire class can be found in the eShop.

All WINSTA® components are 100% protected against mismatching when:

- plugging different numbers of poles
- plugging while rotated 180
- plugging while laterally staggered
- plugging one pole

All connectors for mounted installations (snap-in versions for lighting fixtures or devices, all types of PCB and distribution connectors) are factory-equipped with locking levers to ensure plugs and sockets are securely locked. Additional locking levers are only required for flying leads (plug/socket).

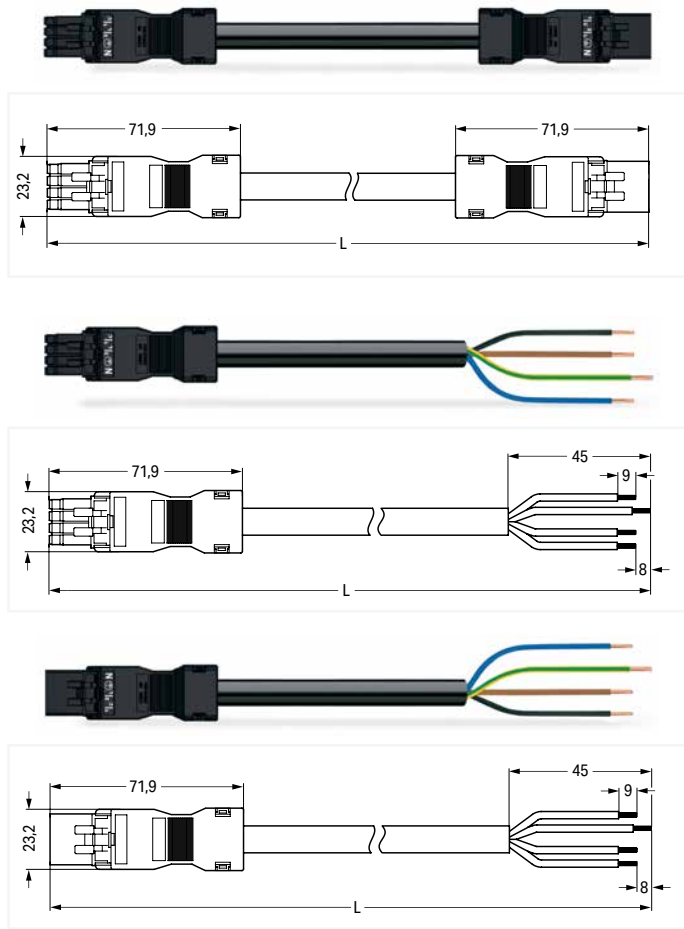
Cover Page 370

See technical section for further information

Approvals and corresponding ratings, visit www.wago.com

Cable assembly ▶ WINSTA® MINI ▶ 891 Series

Pole number: 4 ▶ Fire class per EN 50575: E_{ca} ▶ Coding: A ▶ 1.5 mm² ▶ Marking: N ⊕ 2/L 1/L' ▶ PVC ▶ H05VV-F 4G1.5 ▶ General mains applications



Interconnecting cable ▶ Socket - Plug ▶ Protection type: IP20; IP40 when mated

Total length	Connector color / Strain relief color		PU
	black / black	white / white	
1 m	891-8994/006-101	891-8994/006-102	1
2 m	891-8994/006-201	891-8994/006-202	1
3 m	891-8994/006-301	891-8994/006-302	1
4 m	891-8994/006-401	891-8994/006-402	1
5 m	891-8994/006-501	891-8994/006-502	1
6 m	891-8994/006-601	891-8994/006-602	1
7 m	891-8994/006-701	891-8994/006-702	1
8 m	891-8994/006-801	891-8994/006-802	1

Connecting cable ▶ Socket - free end ▶ Protection type: IP40

Total length	Connector color / Strain relief color		PU
	black / black	white / white	
1 m	891-8994/106-101	891-8994/106-102	1
2 m	891-8994/106-201	891-8994/106-202	1
3 m	891-8994/106-301	891-8994/106-302	1
4 m	891-8994/106-401	891-8994/106-402	1
5 m	891-8994/106-501	891-8994/106-502	1
6 m	891-8994/106-601	891-8994/106-602	1
7 m	891-8994/106-701	891-8994/106-702	1
8 m	891-8994/106-801	891-8994/106-802	1

Connecting cable ▶ Plug - free end ▶ Protection type: IP20; IP40 when mated

Total length	Connector color / Strain relief color		PU
	black / black	white / white	
1 m	891-8994/206-101	891-8994/206-102	1
2 m	891-8994/206-201	891-8994/206-202	1
3 m	891-8994/206-301	891-8994/206-302	1
4 m	891-8994/206-401	891-8994/206-402	1
5 m	891-8994/206-501	891-8994/206-502	1
6 m	891-8994/206-601	891-8994/206-602	1
7 m	891-8994/206-701	891-8994/206-702	1
8 m	891-8994/206-801	891-8994/206-802	1

Accessories; for all products on this page



Locking lever; for flying leads; manually operated



Locking lever; for flying leads; tool operated



Mounting carrier; for flying leads; 2- to 5-pole

Color	Item No.	PU (SPU)
● black	890-101	100 (50)
○ white	890-121	100 (50)

Color	Item No.	PU (SPU)
● black	890-111	100 (50)
○ white	890-131	100 (50)

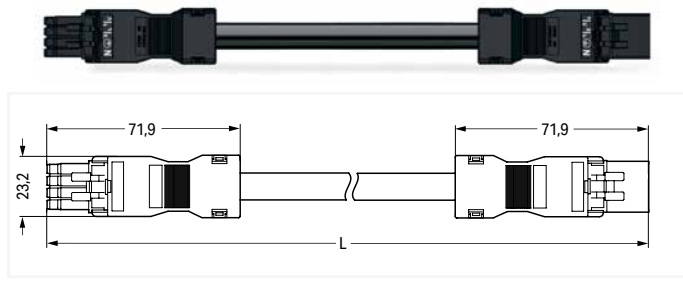
Color	Item No.	PU
● black	890-310	100
○ white	890-311	100

PU = packaging unit; SPU = subpackaging unit; Dimensions in mm

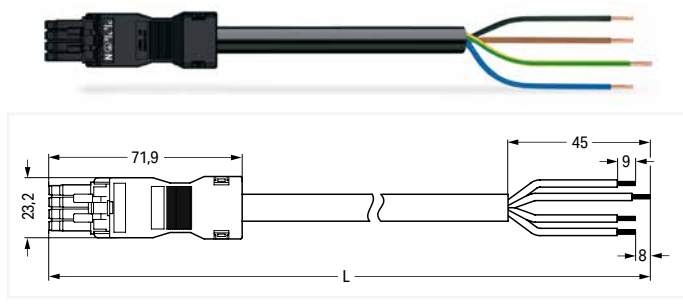
Cable assembly ▶ WINSTA® MINI ▶ 891 Series

Pole number: 4 ▶ Fire class per EN 50575: E_{ca} ▶ Coding: A ▶ 1.5 mm² ▶ Marking: N ⊕ 2/L 1/L' ▶ Halogen-free ▶ H05Z1Z1-F 4G1.5 ▶ General mains applications

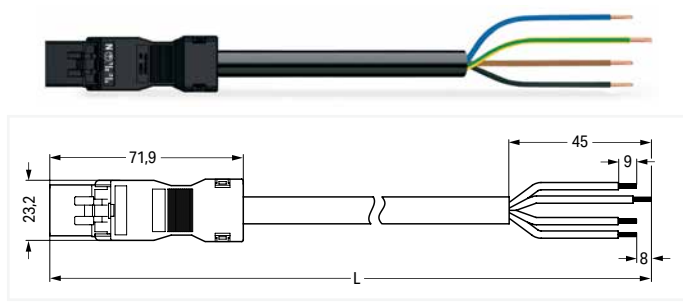
1



Interconnecting cable ▶ Socket - Plug ▶ Protection type: IP20; IP40 when mated			
Total length	Connector color / Strain relief color		PU
	black / black	white / white	
1 m	891-8994/016-101	891-8994/016-102	1
2 m	891-8994/016-201	891-8994/016-202	1
3 m	891-8994/016-301	891-8994/016-302	1
4 m	891-8994/016-401	891-8994/016-402	1
5 m	891-8994/016-501	891-8994/016-502	1
6 m	891-8994/016-601	891-8994/016-602	1
7 m	891-8994/016-701	891-8994/016-702	1
8 m	891-8994/016-801	891-8994/016-802	1






Connecting cable ▶ Socket - free end ▶ Protection type: IP40			
Total length	Connector color / Strain relief color		PU
	black / black	white / white	
1 m	891-8994/116-101	891-8994/116-102	1
2 m	891-8994/116-201	891-8994/116-202	1
3 m	891-8994/116-301	891-8994/116-302	1
4 m	891-8994/116-401	891-8994/116-402	1
5 m	891-8994/116-501	891-8994/116-502	1
6 m	891-8994/116-601	891-8994/116-602	1
7 m	891-8994/116-701	891-8994/116-702	1
8 m	891-8994/116-801	891-8994/116-802	1



Connecting cable ▶ Plug - free end ▶ Protection type: IP20; IP40 when mated			
Total length	Connector color / Strain relief color		PU
	black / black	white / white	
1 m	891-8994/216-101	891-8994/216-102	1
2 m	891-8994/216-201	891-8994/216-202	1
3 m	891-8994/216-301	891-8994/216-302	1
4 m	891-8994/216-401	891-8994/216-402	1
5 m	891-8994/216-501	891-8994/216-502	1
6 m	891-8994/216-601	891-8994/216-602	1
7 m	891-8994/216-701	891-8994/216-702	1
8 m	891-8994/216-801	891-8994/216-802	1

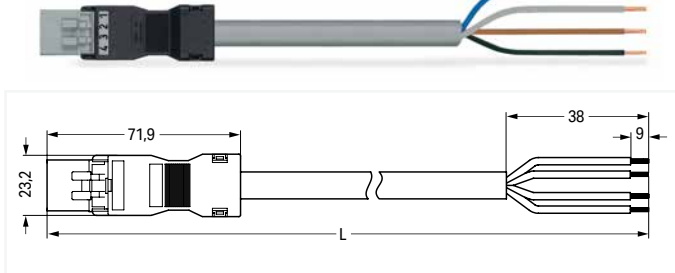
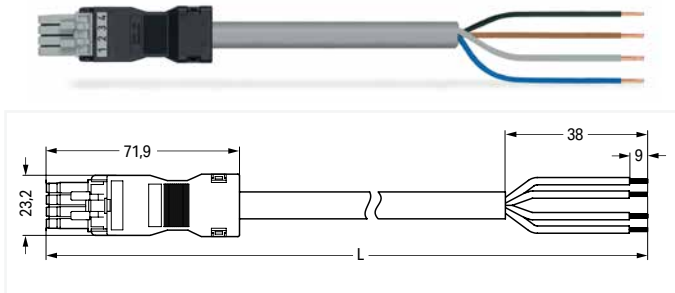
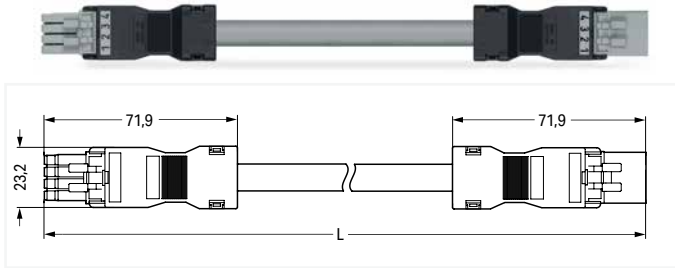
Accessories; for all products on this page

 Locking lever; for flying leads; manually operated			 Locking lever; for flying leads; tool operated			 Mounting carrier; for flying leads; 2- to 5-pole		
Color	Item No.	PU (SPU)	Color	Item No.	PU (SPU)	Color	Item No.	PU
● black	890-101	100 (50)	● black	890-111	100 (50)	● black	890-310	100
○ white	890-121	100 (50)	○ white	890-131	100 (50)	○ white	890-311	100

PU = packaging unit; SPU = subpackaging unit; Dimensions in mm

Cable assembly ▶ WINSTA® MINI ▶ 891 Series

Pole number: 4 ▶ Fire class per EN 50575: E_{ca} ▶ Coding: B ▶ 1 mm² ▶ Marking: 1 2 3 4 ▶ PVC ▶ Control line 4x1 ▶ Control technology



Interconnecting cable ▶ Socket - Plug ▶ Protection type: IP20; IP40 when mated

Total length	Connector color / Strain relief color			PU
	gray / black	light green / black	pink / black	
1 m	891-8994/005-103	891-8994/005-105	891-8994/005-107	1
2 m	891-8994/005-203	891-8994/005-205	891-8994/005-207	1
3 m	891-8994/005-303	891-8994/005-305	891-8994/005-307	1
4 m	891-8994/005-403	891-8994/005-405	891-8994/005-407	1
5 m	891-8994/005-503	891-8994/005-505	891-8994/005-507	1
6 m	891-8994/005-603	891-8994/005-605	891-8994/005-607	1
7 m	891-8994/005-703	891-8994/005-705	891-8994/005-707	1
8 m	891-8994/005-803	891-8994/005-805	891-8994/005-807	1

Connecting cable ▶ Socket - free end ▶ Protection type: IP40

Total length	Connector color / Strain relief color			PU
	gray / black	light green / black	pink / black	
1 m	891-8994/105-103	891-8994/105-105	891-8994/105-107	1
2 m	891-8994/105-203	891-8994/105-205	891-8994/105-207	1
3 m	891-8994/105-303	891-8994/105-305	891-8994/105-307	1
4 m	891-8994/105-403	891-8994/105-405	891-8994/105-407	1
5 m	891-8994/105-503	891-8994/105-505	891-8994/105-507	1
6 m	891-8994/105-603	891-8994/105-605	891-8994/105-607	1
7 m	891-8994/105-703	891-8994/105-705	891-8994/105-707	1
8 m	891-8994/105-803	891-8994/105-805	891-8994/105-807	1

Connecting cable ▶ Plug - free end ▶ Protection type: IP20; IP40 when mated

Total length	Connector color / Strain relief color			PU
	gray / black	light green / black	pink / black	
1 m	891-8994/205-103	891-8994/205-105	891-8994/205-107	1
2 m	891-8994/205-203	891-8994/205-205	891-8994/205-207	1
3 m	891-8994/205-303	891-8994/205-305	891-8994/205-307	1
4 m	891-8994/205-403	891-8994/205-405	891-8994/205-407	1
5 m	891-8994/205-503	891-8994/205-505	891-8994/205-507	1
6 m	891-8994/205-603	891-8994/205-605	891-8994/205-607	1
7 m	891-8994/205-703	891-8994/205-705	891-8994/205-707	1
8 m	891-8994/205-803	891-8994/205-805	891-8994/205-807	1

Accessories; for all products on this page



Locking lever; for flying leads; manually operated



Locking lever; for flying leads; tool operated



Mounting carrier; for flying leads; 2- to 5-pole

Color	Item No.	PU (SPU)
● black	890-101	100 (50)
○ white	890-121	100 (50)

Color	Item No.	PU (SPU)
● black	890-111	100 (50)
○ white	890-131	100 (50)

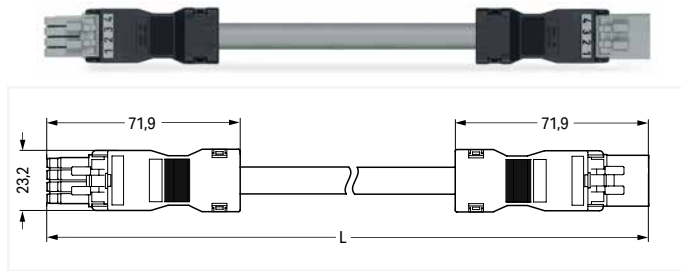
Color	Item No.	PU
● black	890-310	100
○ white	890-311	100

PU = packaging unit; SPU = subpackaging unit; Dimensions in mm

Cable assembly ▶ WINSTA® MINI ▶ 891 Series

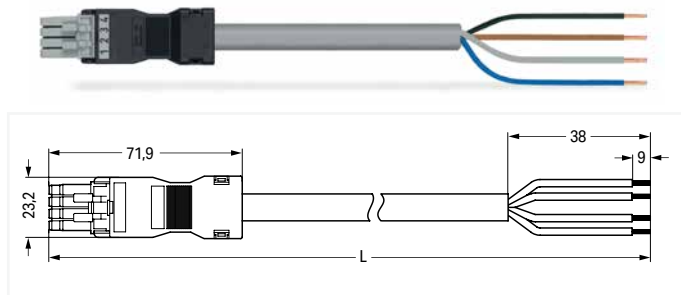
Pole number: 4 ▶ Fire class per EN 50575: E_{ca} ▶ Coding: B ▶ 1.5 mm² ▶ Marking: 1 2 3 4 ▶ PVC ▶ Control line 4x1.5 ▶ Control technology

1



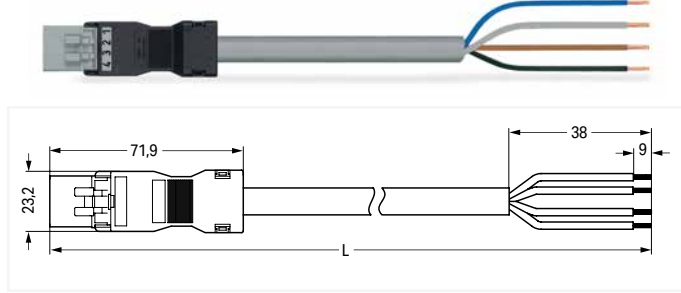
Interconnecting cable ▶ Socket - Plug ▶ Protection type: IP20; IP40 when mated

Total length	Connector color / Strain relief color			PU
	gray / black	light green / black	pink / black	
1 m	891-8994/006-103	891-8994/006-105	891-8994/006-107	1
2 m	891-8994/006-203	891-8994/006-205	891-8994/006-207	1
3 m	891-8994/006-303	891-8994/006-305	891-8994/006-307	1
4 m	891-8994/006-403	891-8994/006-405	891-8994/006-407	1
5 m	891-8994/006-503	891-8994/006-505	891-8994/006-507	1
6 m	891-8994/006-603	891-8994/006-605	891-8994/006-607	1
7 m	891-8994/006-703	891-8994/006-705	891-8994/006-707	1
8 m	891-8994/006-803	891-8994/006-805	891-8994/006-807	1



Connecting cable ▶ Socket - free end ▶ Protection type: IP40

Total length	Connector color / Strain relief color			PU
	gray / black	light green / black	pink / black	
1 m	891-8994/106-103	891-8994/106-105	891-8994/106-107	1
2 m	891-8994/106-203	891-8994/106-205	891-8994/106-207	1
3 m	891-8994/106-303	891-8994/106-305	891-8994/106-307	1
4 m	891-8994/106-403	891-8994/106-405	891-8994/106-407	1
5 m	891-8994/106-503	891-8994/106-505	891-8994/106-507	1
6 m	891-8994/106-603	891-8994/106-605	891-8994/106-607	1
7 m	891-8994/106-703	891-8994/106-705	891-8994/106-707	1
8 m	891-8994/106-803	891-8994/106-805	891-8994/106-807	1



Connecting cable ▶ Plug - free end ▶ Protection type: IP20; IP40 when mated

Total length	Connector color / Strain relief color			PU
	gray / black	light green / black	pink / black	
1 m	891-8994/206-103	891-8994/206-105	891-8994/206-107	1
2 m	891-8994/206-203	891-8994/206-205	891-8994/206-207	1
3 m	891-8994/206-303	891-8994/206-305	891-8994/206-307	1
4 m	891-8994/206-403	891-8994/206-405	891-8994/206-407	1
5 m	891-8994/206-503	891-8994/206-505	891-8994/206-507	1
6 m	891-8994/206-603	891-8994/206-605	891-8994/206-607	1
7 m	891-8994/206-703	891-8994/206-705	891-8994/206-707	1
8 m	891-8994/206-803	891-8994/206-805	891-8994/206-807	1

Accessories; for all products on this page



Locking lever; for flying leads; manually operated



Locking lever; for flying leads; tool operated



Mounting carrier; for flying leads; 2- to 5-pole

Color	Item No.	PU (SPU)
● black	890-101	100 (50)
○ white	890-121	100 (50)

Color	Item No.	PU (SPU)
● black	890-111	100 (50)
○ white	890-131	100 (50)

Color	Item No.	PU
● black	890-310	100
○ white	890-311	100

PU = packaging unit; SPU = subpackaging unit; Dimensions in mm

Pluggable connectors ▶ WINSTA® MINI ▶ 890 Series

Pole number: 5



- Protected against mismatching and maintenance-free
- Push-in CAGE CLAMP® spring pressure connection technology allows solid conductors to be simply pushed into a unit.
- Low profile with 4.4 mm pole spacing
- When assembled, the installation connectors comply with IP40 and are suitable for easily accessible areas.

Electrical data									
Coding	A			B			I		
Ratings per	IEC/EN 60664-1			IEC/EN 60664-1			IEC/EN 60664-1		
Overvoltage category	III	III	II	III	III	II	III	III	II
Pollution degree	3	2	2	3	2	2	3	2	2
Nominal voltage	400 V	-	-	400 V	-	-	400 V	-	-
Rated surge voltage	6 kV	-	-	6 kV	-	-	6 kV	-	-
Rated current	13 A	-	-	16 A	-	-	16 A	-	-
Rated current (note)				13 A for 3-pole load 10 A for 4- and 5-pole load					

Connection data	
Connection technology	Push-in CAGE CLAMP®
Strip length	9 mm / 0.35 inches
Nominal cross-section	1.5 mm ² / 16 AWG
Solid conductor	0.25 ... 1.5 mm ² / 22 ... 16 AWG
Solid conductor; push-in termination	0.75 ... 1.5 mm ² / 20 ... 16 AWG
Stranded conductor	0.25 ... 1 mm ² / 22 ... 18 AWG
Fine-stranded conductor	0.25 ... 1.5 mm ² / 22 ... 16 AWG
Fine-stranded conductor; with insulated ferrule	0.25 ... 0.75 mm ² / 22 ... 20 AWG
Fine-stranded conductor; with uninsulated ferrule	0.25 ... 0.75 mm ² / 22 ... 20 AWG
Fine-stranded conductor; with ferrule; push-in termination	0.75 mm ² / 20 AWG

Material data	
Material group	I
Insulation material (main housing)	Polyamide (PA66)
Flammability class per UL94	V0
Clamping spring material	Chrome-nickel spring steel (CrNi)
Contact material	Copper or copper alloy; surface-treated
Contact Plating	Tin

Mechanical data	
Number of mating cycles	200, without resistive load
Mating force of a plug-in connection	approx. 20 ... 70 N (depending on pole number)
Unmating force of a plug-in connection	Unlocked: approx. 20 ... 70 N (depending on pole number)
Retention force of a plug-in connection	Locked: > 80 N

Environmental requirements	
Processing temperature	-5 ... +40 °C
Continuous operating temperature	-35 ... +85 °C
Note on continuous operating temperature	Insulating parts for temperatures ≤ 105 °C

Note:

All WINSTA® components are 100% protected against mismatching when:

- plugging different numbers of poles
- plugging while rotated 180
- plugging while laterally staggered
- plugging one pole

All connectors for mounted installations (snap-in versions for lighting fixtures or devices, all types of PCB and distribution connectors) are factory-equipped with locking levers to ensure plugs and sockets are securely locked. Additional locking levers are only required for flying leads (plug/socket).

Cover [Page 370](#)

Shield termination [Page 369](#)

Tool [Page 394](#)

See technical section for further information

Approvals and corresponding ratings, visit www.wago.com

Pluggable connectors ▶ WINSTA® MINI ▶ 890 Series

Pole number: 5

Female connector/socket ▶ Strain relief housing ▶ Strip length (outer insulation): 45 mm ▶ Connectable sheathed cable diameter: 6.5 ... 10.5 mm ▶ Protection type: IP40

Male connector/plug ▶ Strain relief housing ▶ Strip length (outer insulation): 45 mm ▶ Connectable sheathed cable diameter: 6.5 ... 10.5 mm ▶ Protection type: IP40



890-105



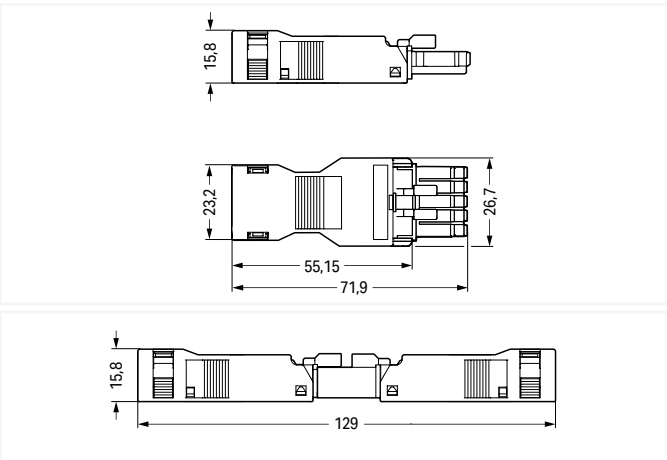
890-115

General mains applications

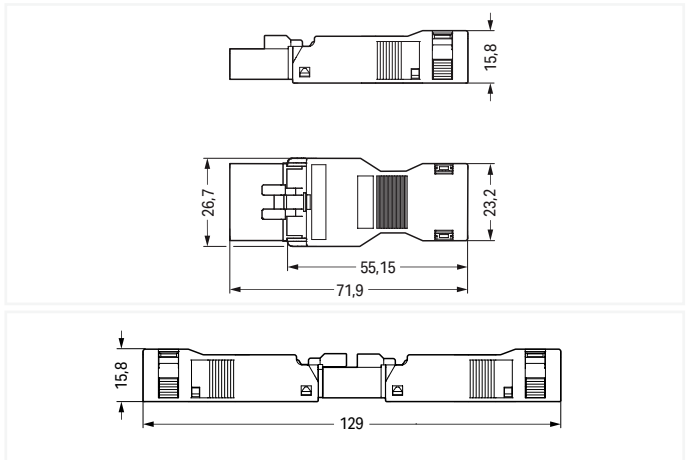
Color	Coding	Marking	Item No.	PU
● black	A	N ⊕ 1 2 3	890-105	50
○ white	A	N ⊕ 1 2 3	890-125	50

General mains applications

Color	Coding	Marking	Item No.	PU
● black	A	3 2 1 ⊕ N	890-115	50
○ white	A	3 2 1 ⊕ N	890-135	50



Overall length when mated



Overall length when mated

Accessories; for all products on this page



Locking lever; for flying leads; manually operated

Color	Item No.	PU (SPU)
● black	890-101	100 (50)
○ white	890-121	100 (50)



Locking lever; for flying leads; tool operated

Color	Item No.	PU (SPU)
● black	890-111	100 (50)
○ white	890-131	100 (50)



Operating tool; 5-times

Color	Item No.	PU
● green	890-385	1



Mounting carrier; for flying leads; 2- to 5-pole

Color	Item No.	PU
● black	890-310	100
○ white	890-311	100

PU = packaging unit; SPU = subpackaging unit; Dimensions in mm

Pluggable connectors ▶ WINSTA® MINI ▶ 890 Series

Pole number: 5

Female connector/socket ▶ Protection type: IP20; IP40 with strain relief housing

Male connector/plug ▶ Protection type: IP20; IP40 when mated with strain relief housing



1

890-205

890-215

General mains applications

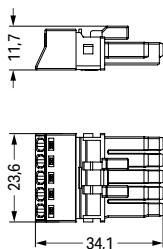
Color	Coding	Marking	Item No.	PU
● black	A	N ⊕ 1 2 3	890-205	50
○ white	A	N ⊕ 1 2 3	890-225	50

Control technology

Color	Coding	Marking	Item No.	PU
○ gray	B	1 2 3 4 5	890-245	50
○ gray	B	N ⊕ 1 2 3	890-245/060-000	50
○ gray	B	N PE 3 2 1	890-245/062-000	50
● light green	B	1 2 3 4 5	890-265	50
● light green	B	1 ⊕ 2 3 4	890-265/073-000	50
● pink	B	1 2 3 4 5	890-285	50
● pink	B	N ⊕ L I- I+	890-285/080-000	50
● pink	B	N ⊕ L - +	890-285/082-000	50

DALI, Lighting Management

Color	Coding	Marking	Item No.	PU
● blue	I	N ⊕ L - +	890-1105	50



General mains applications

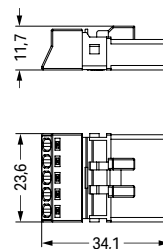
Color	Coding	Marking	Item No.	PU
● black	A	3 2 1 ⊕ N	890-215	50
○ white	A	3 2 1 ⊕ N	890-235	50

Control technology

Color	Coding	Marking	Item No.	PU
○ gray	B	5 4 3 2 1	890-255	50
○ gray	B	3 2 1 ⊕ N	890-255/060-000	50
○ gray	B	1 2 3 PE N	890-255/062-000	50
● light green	B	5 4 3 2 1	890-275	50
● light green	B	4 3 2 ⊕ 1	890-275/073-000	50
● pink	B	5 4 3 2 1	890-295	50
● pink	B	I+ I- L ⊕ N	890-295/080-000	50
● pink	B	+ - L ⊕ N	890-295/082-000	50

DALI, Lighting Management

Color	Coding	Marking	Item No.	PU
● blue	I	+ - L ⊕ N	890-1115	50



Accessories; for all products on this page



Locking lever; for flying leads; manually operated

Color	Item No.	PU (SPU)
● black	890-101	100 (50)
○ white	890-121	100 (50)



Locking lever; for flying leads; tool operated

Color	Item No.	PU (SPU)
● black	890-111	100 (50)
○ white	890-131	100 (50)



Strain relief housing; Connectable sheathed cable diameter: 6.5 ... 10.5 mm; Strip length (outer insulation): 45 mm

Color	Item No.	PU
● black	890-505	50
○ white	890-515	50



Operating tool; 5 -times

Color	Item No.	PU
● green	890-385	1



Mounting carrier; for flying leads; 2- to 5-pole

Color	Item No.	PU
● black	890-310	100
○ white	890-311	100

PU = packaging unit; SPU = subpackaging unit; Dimensions in mm

Snap-in device connector ▶ WINSTA® MINI ▶ 890 Series

Pole number: 5

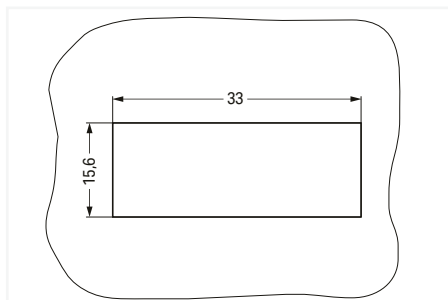


Plate thickness: 0.5 ... 2 mm
Cutout tolerance: + 0.1 mm

Please note!

- Protected against mismatching and maintenance-free
- Push-in CAGE CLAMP® spring pressure connection technology allows solid conductors to be simply pushed into a unit.
- Low profile with 4.4 mm pole spacing
- When assembled, the installation connectors comply with IP40 and are suitable for easily accessible areas.

Electrical data									
Coding	A			B			I		
Ratings per	IEC/EN 60664-1			IEC/EN 60664-1			IEC/EN 60664-1		
Overvoltage category	III	III	II	III	III	II	III	III	II
Pollution degree	3	2	2	3	2	2	3	2	2
Nominal voltage	400 V	-	-	400 V	-	-	400 V	-	-
Rated surge voltage	6 kV	-	-	6 kV	-	-	6 kV	-	-
Rated current	13 A	-	-	16 A	-	-	16 A	-	-
Rated current (note)				13 A for 3-pole load 10 A for 4- and 5-pole load					

Connection data	
Connection technology	Push-in CAGE CLAMP®
Strip length	9 mm / 0.35 inches
Nominal cross-section	1.5 mm ² / 16 AWG
Solid conductor	0.25 ... 1.5 mm ² / 22 ... 16 AWG
Solid conductor; push-in termination	0.75 ... 1.5 mm ² / 20 ... 16 AWG
Stranded conductor	0.25 ... 1 mm ² / 22 ... 18 AWG
Fine-stranded conductor	0.25 ... 1.5 mm ² / 22 ... 16 AWG
Fine-stranded conductor; with insulated ferrule	0.25 ... 0.75 mm ² / 22 ... 20 AWG
Fine-stranded conductor; with uninsulated ferrule	0.25 ... 0.75 mm ² / 22 ... 20 AWG
Fine-stranded conductor; with ferrule; push-in termination	0.75 mm ² / 20 AWG

Material data	
Insulation material (main housing)	Polyamide (PA66)
Clamping spring material	Chrome-nickel spring steel (CrNi)
Contact material	Copper or copper alloy; surface-treated
Contact Plating	Tin

Mechanical data	
Number of mating cycles	200, without resistive load
Mating force of a plug-in connection	approx. 20 ... 70 N (depending on pole number)
Unmating force of a plug-in connection	Unlocked: approx. 20 ... 70 N (depending on pole number)
Retention force of a plug-in connection	Locked: > 80 N

Environmental requirements	
Processing temperature	-5 ... +40 °C
Continuous operating temperature	-35 ... +85 °C
Note on continuous operating temperature	Insulating parts for temperatures ≤ 105 °C

Note:

The snap-in connectors must be relieved of tensile and transverse forces.

A surface finish can influence the edge radius of the cutouts. This may affect the snap-in socket fit, so ensure an adequate fit before use. In addition, the punched edge should be on the inside for punched cutouts.

The wings of the snap-in connectors must not be mechanically stressed for a long period before use (e.g., due to a pre-locking position).

All WINSTA® components are 100% protected against mismatching when:

- plugging different numbers of poles
- plugging while rotated 180
- plugging while laterally staggered
- plugging one pole

All connectors for mounted installations (snap-in versions for lighting fixtures or devices, all types of PCB and distribution connectors) are factory-equipped with locking levers to ensure plugs and sockets are securely locked. Additional locking levers are only required for flying leads (plug/socket).

Tool Page 394

See technical section for further information

Approvals and corresponding ratings, visit www.wago.com

Snap-in device connector ▶ WINSTA® MINI ▶ 890 Series

Pole number: 5

Female connector/socket ▶ Protection type: IP40

Male connector/plug ▶ Protection type: IP20; IP40 when mated



1

General mains applications

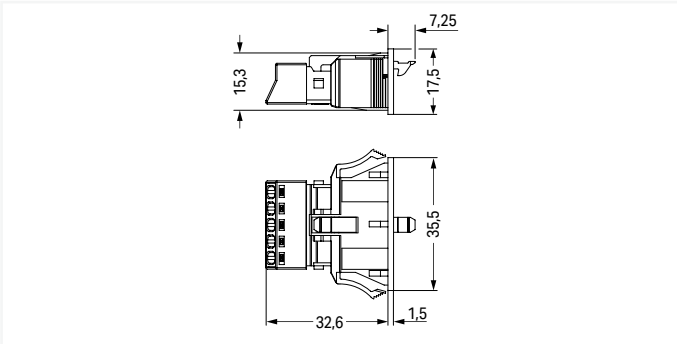
Color	Coding	Marking	Item No.	PU (SPU)
● black	A	N ⊕ 1 2 3	890-705	50 (50)
○ white	A	N ⊕ 1 2 3	890-725	50 (50)

Control technology

Color	Coding	Marking	Item No.	PU (SPU)
○ gray	B	1 2 3 4 5	890-745	50 (50)
○ gray	B	N ⊕ L1 L2 L3	890-745/060-000	50 (50)
○ gray	B	N PE 3 2 1	890-745/062-000	50 (50)
● light green	B	1 2 3 4 5	890-765	50 (50)
● light green	B	1 ⊕ 2 3 4	890-765/073-000	50 (50)
● pink	B	1 2 3 4 5	890-785	50 (50)
● pink	B	N ⊕ L I- I+	890-785/080-000	50 (50)
● pink	B	N ⊕ L - +	890-785/082-000	50 (50)

DALI, Lighting Management

Color	Coding	Marking	Item No.	PU (SPU)
● blue	I	N ⊕ L - +	890-2105	50 (50)



General mains applications

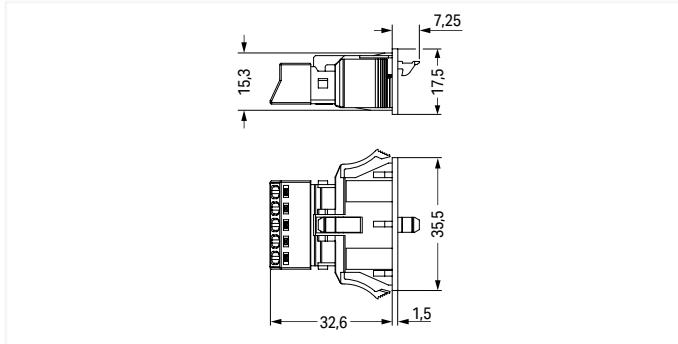
Color	Coding	Marking	Item No.	PU (SPU)
● black	A	3 2 1 ⊕ N	890-715	50 (25)
○ white	A	3 2 1 ⊕ N	890-735	50 (50)

Control technology

Color	Coding	Marking	Item No.	PU (SPU)
○ gray	B	5 4 3 2 1	890-755	50 (50)
○ gray	B	3 2 1 ⊕ N	890-755/060-000	50 (50)
○ gray	B	1 2 3 PE N	890-755/062-000	50 (50)
● light green	B	5 4 3 2 1	890-775	50 (50)
● light green	B	4 3 2 ⊕ 1	890-775/073-000	50 (50)
● pink	B	5 4 3 2 1	890-795	50 (50)
● pink	B	I+ I- L ⊕ N	890-795/080-000	50 (50)
● pink	B	+ - L ⊕ N	890-795/082-000	50 (50)

DALI, Lighting Management

Color	Coding	Marking	Item No.	PU (SPU)
● blue	I	+ - L ⊕ N	890-2115	50 (50)



Accessories; for all products on this page



Operating tool; 5 -times



Lockout cap; for cutout; Pole number: 3

Color	Item No.	PU
● green	890-385	1

Color	Item No.	PU
● black	770-643	100
○ white	770-693	100

PU = packaging unit; SPU = subpackaging unit; Dimensions in mm

Pluggable PCB connector ▶ WINSTA® MINI ▶ 890 Series

Pole number: 5

1



- Protected against mismatching and maintenance-free
- Push-in CAGE CLAMP® spring pressure connection technology allows solid conductors to be simply pushed into a unit.
- Low profile with 4.4 mm pole spacing

Electrical data									
Coding	A			B			I		
Ratings per	IEC/EN 60664-1			IEC/EN 60664-1			IEC/EN 60664-1		
Overvoltage category	III	III	II	III	III	II	III	III	II
Pollution degree	3	2	2	3	2	2	3	2	2
Nominal voltage	250 V	-	-	250 V	-	-	250 V	-	-
Rated surge voltage	4 kV	-	-	4 kV	-	-	4 kV	-	-
Rated current	13 A	-	-	16 A	-	-	16 A	-	-
Rated current (note)				13 A for 3-pole load 10 A for 4- and 5-pole load					
Material data									
Material group	I								
Insulation material (main housing)	Polyamide (PA66)								
Flammability class per UL94	V0								
Clamping spring material	Chrome-nickel spring steel (CrNi)								
Contact material	Copper or copper alloy; surface-treated								
Contact Plating	Tin								
Mechanical data									
Solder pin arrangement	2 in-line solder pins/pole								
Number of solder pins per potential	2								
Solder pin length	3.5 mm								
Solder pin dimensions	1 x 0.8 mm								
Drilled hole diameter with tolerance	1.3 ^(+0.1) mm								
Mating force of a plug-in connection	approx. 20 ... 70 N (depending on pole number)								
Unmating force of a plug-in connection	Unlocked: approx. 20 ... 70 N (depending on pole number)								
Retention force of a plug-in connection	Locked: > 80 N								
Environmental requirements									
Processing temperature	-5 ... +40 °C								
Continuous operating temperature	-35 ... +85 °C								
Note on continuous operating temperature	Insulating parts for temperatures ≤ 105 °C								

Note:

All WINSTA® components are 100% protected against mismatching when:

- plugging different numbers of poles
- plugging while rotated 180
- plugging while laterally staggered
- plugging one pole

All connectors for mounted installations (snap-in versions for lighting fixtures or devices, all types of PCB and distribution connectors) are factory-equipped with locking levers to ensure plugs and sockets are securely locked. Additional locking levers are only required for flying leads (plug/socket).

See technical section for further information

Approvals and corresponding ratings, visit www.wago.com

Pluggable PCB connector ▶ WINSTA® MINI ▶ 890 Series

Pole number: 5

Female connector/socket ▶ straight



890-805

General mains applications

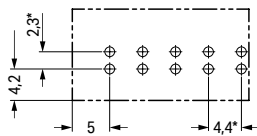
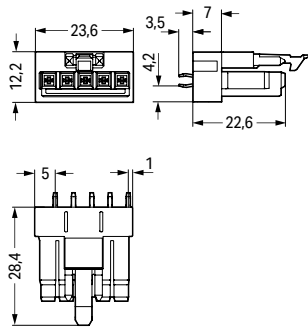
Color	Coding	Marking	Item No.	PU
● black	A	N ⊕ 1 2 3	890-805	50
○ white	A	N ⊕ 1 2 3	890-825	50

Control technology

Color	Coding	Marking	Item No.	PU
○ gray	B	1 2 3 4 5	890-845	50
● light green	B	1 2 3 4 5	890-865	50
● pink	B	1 2 3 4 5	890-885	50

DALI, Lighting Management

Color	Coding	Marking	Item No.	PU
● blue	I	N ⊕ L - +	890-3105	50



* ± 0.05 mm
Drilled hole diameter: 1.3^{+0.1} mm

Male connector/plug ▶ straight



890-815

General mains applications

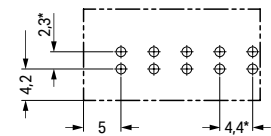
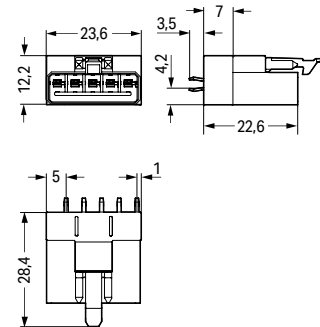
Color	Coding	Marking	Item No.	PU
● black	A	3 2 1 ⊕ N	890-815	50
○ white	A	3 2 1 ⊕ N	890-835	50

Control technology

Color	Coding	Marking	Item No.	PU
○ gray	B	5 4 3 2 1	890-855	50
● light green	B	5 4 3 2 1	890-875	50
● pink	B	5 4 3 2 1	890-895	50

DALI, Lighting Management

Color	Coding	Marking	Item No.	PU
● blue	I	+ - L ⊕ N	890-3115	50



* ± 0.05 mm
Drilled hole diameter: 1.3^{+0.1} mm

PU = packaging unit; SPU = subpackaging unit; Dimensions in mm

1

Pluggable PCB connector ▶ WINSTA® MINI ▶ 890 Series

Pole number: 5

Female connector/socket ▶ angled

Male connector/plug ▶ angled



890-805/011-000

890-815/011-000

General mains applications

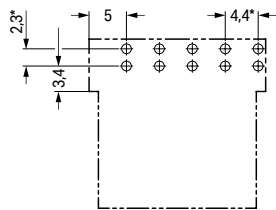
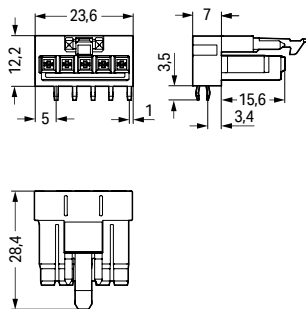
Color	Coding	Marking	Item No.	PU
● black	A	N ⊕ 1 2 3	890-805/011-000	50
○ white	A	N ⊕ 1 2 3	890-825/011-000	50

Control technology

Color	Coding	Marking	Item No.	PU
○ gray	B	1 2 3 4 5	890-845/011-000	50
● light green	B	1 2 3 4 5	890-865/011-000	50
● pink	B	1 2 3 4 5	890-885/011-000	50

DALI, Lighting Management

Color	Coding	Marking	Item No.	PU
● blue	I	N ⊕ L - +	890-3105/011-000	50



* ± 0.05 mm
Drilled hole diameter: 1.3^{+0.1} mm

General mains applications

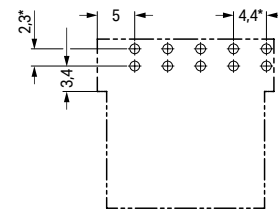
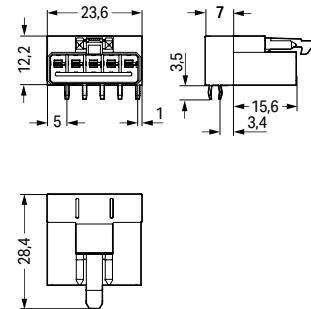
Color	Coding	Marking	Item No.	PU
● black	A	3 2 1 ⊕ N	890-815/011-000	50
○ white	A	3 2 1 ⊕ N	890-835/011-000	50

Control technology

Color	Coding	Marking	Item No.	PU
○ gray	B	5 4 3 2 1	890-855/011-000	50
● light green	B	5 4 3 2 1	890-875/011-000	50
● pink	B	5 4 3 2 1	890-895/011-000	50

DALI, Lighting Management

Color	Coding	Marking	Item No.	PU
● blue	I	+ - L ⊕ N	890-3115/011-000	50



* ± 0.05 mm
Drilled hole diameter: 1.3^{+0.1} mm

Distribution connector ▶ WINSTA® MINI ▶ 890 Series

Pole number: 5 ▶ Protection type: IP20; IP40 when mated



- Protected against mismatching and maintenance-free
- Low profile with 4.4 mm pole spacing

Electrical data						
Coding	A; I			A		
Ratings per	IEC/EN 60664-1			IEC/EN 60664-1		
Overvoltage category	III	III	II	III	III	II
Pollution degree	3	2	2	3	2	2
Nominal voltage	400 V	-	-	400 V	-	-
Rated surge voltage	6 kV	-	-	6 kV	-	-
Rated current	16 A	-	-	13 A	-	-
Material data						
Insulation material (main housing)	Polyamide (PA66)					
Flammability class per UL94	V0					
Contact material	Copper or copper alloy; surface-treated					
Contact Plating	Tin					
Mechanical data						
Number of mating cycles	200, without resistive load					
Mating force of a plug-in connection	Approx. 20 ... 70 N (depending on pole number)					
Unmating force of a plug-in connection	Unlocked: approx. 20 ... 70 N (depending on pole number)					
Retention force of a plug-in connection	When locked: > 80 N					
Protection type	IP20					
Note on protection type	IP40 when mated					
Number of inputs	1					
Environmental requirements						
Processing temperature	-5 ... +40 °C					
Continuous operating temperature	-35 ... +85 °C					
Note on continuous operating temperature	Insulating parts for temperatures ≤ 105 °C					

Note:

At least one snap-in connector **WITHOUT** a locking lever is required on one side when connecting two lights directly via intermediate coupler.

All WINSTA® components are 100% protected against mismatching when:

- a.) plugging different numbers of poles
- b.) plugging while rotated 180
- c.) plugging while laterally staggered
- d.) plugging one pole

All connectors for mounted installations (snap-in versions for lighting fixtures or devices, all types of PCB and distribution connectors) are factory-equipped with locking levers to ensure plugs and sockets are securely locked. Additional locking levers are only required for flying leads (plug/socket).

See technical section for further information

Approvals and corresponding ratings, visit www.wago.com

Distribution connector ▶ WINSTA® MINI ▶ 890 Series

Pole number: 5 ▶ Protection type: IP20; IP40 when mated

Intermediate coupler

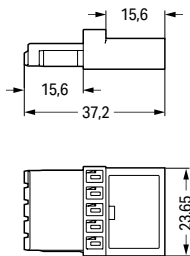


General mains applications

Color	Coding	Marking	Item No.	PU
● black	A	plain	890-605	50
○ white	A	plain	890-655	50

DALI, Lighting Management

Color	Coding	Marking	Item No.	PU
● blue	I	plain	890-619	50



PU = packaging unit; SPU = subpackaging unit; Dimensions in mm

Distribution connector ▶ WINSTA® MINI ▶ 890 Series

Pole number: 5 ▶ Protection type: IP20; IP40 when mated

T-distribution connector

Number of locking levers: 2

Number of locking levers: 3 ▶ for flying leads



1

890-621

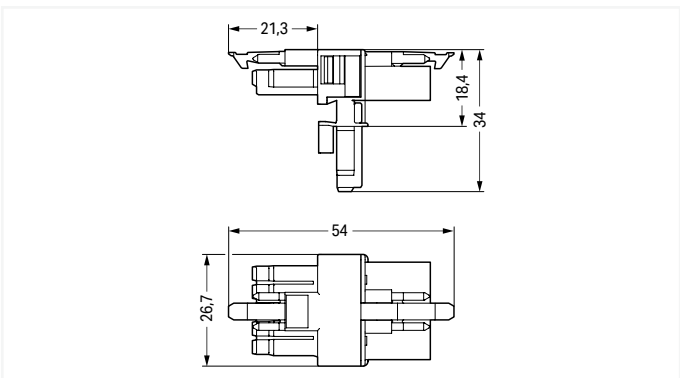
890-622

General mains applications

Color	Coding	Marking	Item No.	PU
● black	A	N ⊕ 1 2 3	890-621	25
○ white	A	N ⊕ 1 2 3	890-671	25

DALI, Lighting Management

Color	Coding	Marking	Item No.	PU
● blue	I	N ⊕ L - +	890-617	25

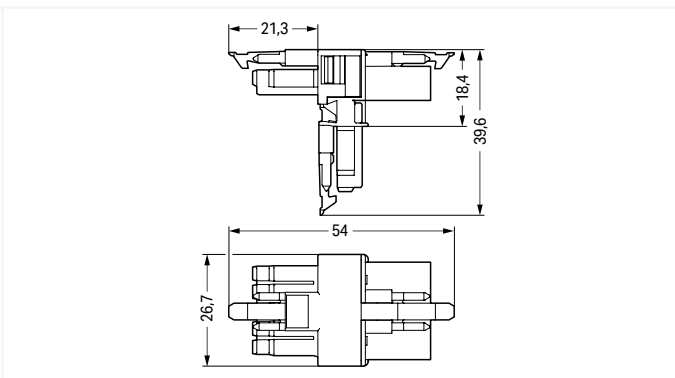


General mains applications

Color	Coding	Marking	Item No.	PU
● black	A	N ⊕ 1 2 3	890-622	25
○ white	A	N ⊕ 1 2 3	890-672	25

DALI, Lighting Management

Color	Coding	Marking	Item No.	PU
● blue	I	N ⊕ L - +	890-620	25



PU = packaging unit; SPU = subpackaging unit; Dimensions in mm

Distribution connector ▶ WINSTA® MINI ▶ 890 Series

Pole number: 5 ▶ Protection type: IP20; IP40 when mated

h-distribution connector, outputs at one end

Number of locking levers: 2

Number of locking levers: 3 ▶ for flying leads



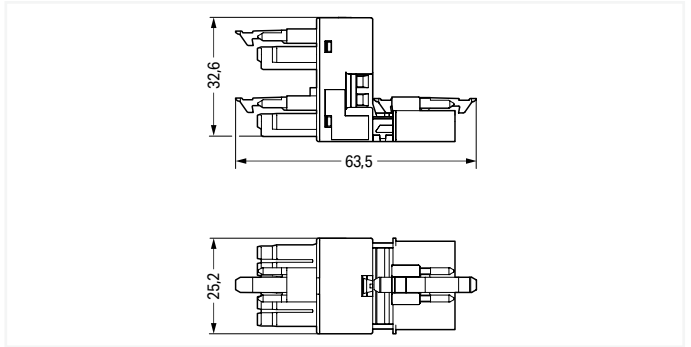
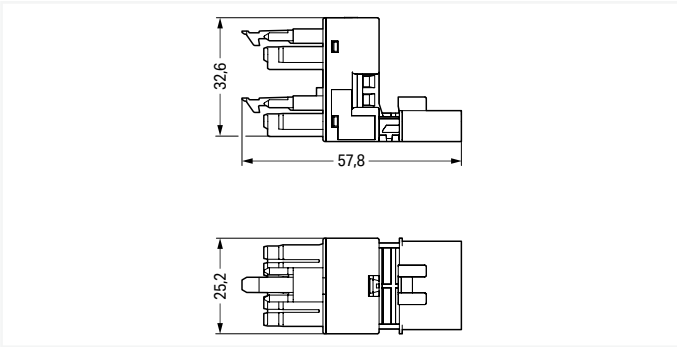
1

890-929

General mains applications				
Color	Coding	Marking	Item No.	PU
● black	A	N ⊕ 1 2 3	890-929	50
○ white	A	N ⊕ 1 2 3	890-979	50
DALI, Lighting Management				
Color	Coding	Marking	Item No.	PU
● blue	I	N ⊕ L - +	890-982	50

890-930

General mains applications				
Color	Coding	Marking	Item No.	PU
● black	A	N ⊕ 1 2 3	890-930	50
○ white	A	N ⊕ 1 2 3	890-980	50
DALI, Lighting Management				
Color	Coding	Marking	Item No.	PU
● blue	I	N ⊕ L - +	890-983	50



Accessories; for all products on this page



Mounting plate; for distribution connectors (except T-distribution connectors); 5-pole

Color	Item No.	PU (SPU)
● black	890-625	50 (50)
○ white	890-675	50 (50)

PU = packaging unit; SPU = subpackaging unit; Dimensions in mm

Cable assembly ▶ WINSTA® MINI ▶ 891 Series

Pole number: 5 ▶ Fire class per EN 50575: E_{ca}

1



- Protected against mismatching and maintenance-free
- Low profile with 4.4 mm pole spacing

Electrical data									
Coding	A			B			B		
Wire cross-section	1.5 mm ²			1 mm ²			1.5 mm ²		
Ratings per	IEC/EN 60664-1			IEC/EN 60664-1			IEC/EN 60664-1		
Overvoltage category	III	III	II	III	III	II	III	III	II
Pollution degree	3	2	2	3	2	2	3	2	2
Nominal voltage	400 V	-	-	400 V	-	-	400 V	-	-
Rated surge voltage	6 kV	-	-	6 kV	-	-	6 kV	-	-
Rated current	13 A	-	-	10 A	-	-	16 A	-	-
Rated current (note)							13 A for 3-pole load 10 A for 4- and 5-pole load		

Electrical data									
Coding	I								
Wire cross-section	1.5 mm ²								
Ratings per	IEC/EN 60664-1								
Overvoltage category	III	III	II						
Pollution degree	3	2	2						
Nominal voltage	400 V	-	-						
Rated surge voltage	6 kV	-	-						
Rated current	16 A	-	-						
Rated current (note)									

Material data	
Insulation material (main housing)	Polyamide (PA66)
Contact material	Copper or copper alloy; surface-treated
Contact Plating	Tin
Fire class per EN 50575	E _{ca}

Mechanical data	
Number of mating cycles	200, without resistive load
Mating force of a plug-in connection	approx. 20 ... 70 N (depending on pole number)
Unmating force of a plug-in connection	when unlocked: approx. 20 ... 70 N (depending on pole number)
Retention force of a plug-in connection	when locked: > 80N

Environmental requirements	
Processing temperature	-5 ... +40 °C
Continuous operating temperature	-35 ... +85 °C
Note on continuous operating temperature	Cable for temperatures ≤ 70 °C (including halogen-free) Insulating parts for temperatures ≤ 105 °C

Note:

Cables with a different fire class can be found in the eShop.

All WINSTA® components are 100% protected against mismatching when:

- plugging different numbers of poles
- plugging while rotated 180
- plugging while laterally staggered
- plugging one pole

All connectors for mounted installations (snap-in versions for lighting fixtures or devices, all types of PCB and distribution connectors) are factory-equipped with locking levers to ensure plugs and sockets are securely locked. Additional locking levers are only required for flying leads (plug/socket).

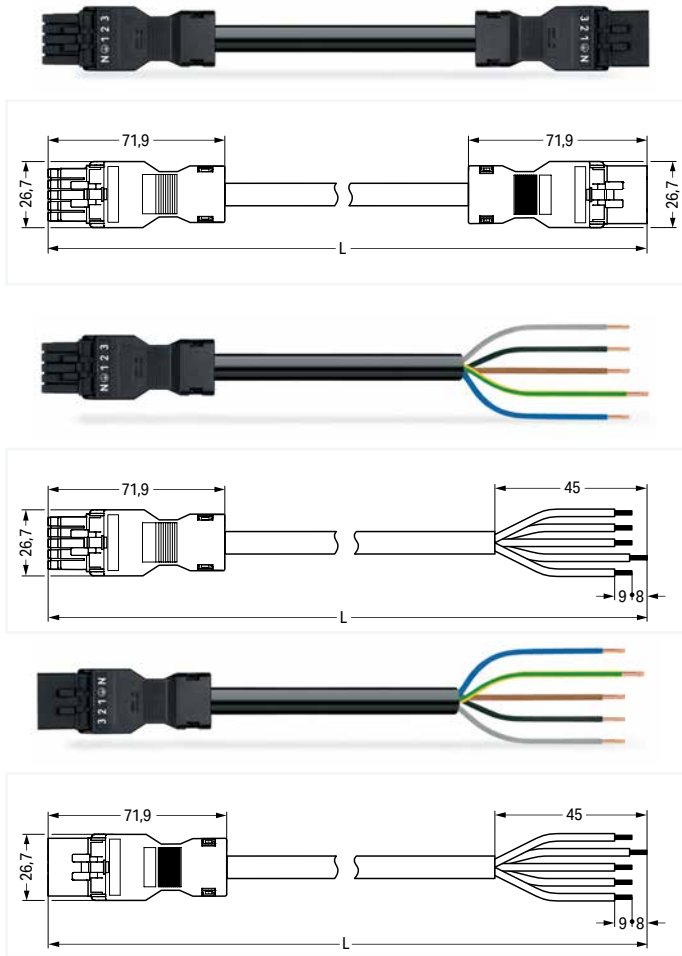
Cover Page 370

See technical section for further information

Approvals and corresponding ratings, visit www.wago.com

Cable assembly ▶ WINSTA® MINI ▶ 891 Series

Pole number: 5 ▶ Fire class per EN 50575: E_{ca} ▶ Coding: A ▶ 1.5 mm² ▶ Marking: N ⊕ 1 2 3 ▶ PVC ▶ H05VV-F 5G1.5 ▶ General mains applications



Interconnecting cable ▶ Socket - Plug ▶ Protection type: IP20; IP40 when mated

Total length	Connector color / Strain relief color		PU
	black / black	white / white	
1 m	891-8995/006-101	891-8995/006-102	1
2 m	891-8995/006-201	891-8995/006-202	1
3 m	891-8995/006-301	891-8995/006-302	1
4 m	891-8995/006-401	891-8995/006-402	1
5 m	891-8995/006-501	891-8995/006-502	1
6 m	891-8995/006-601	891-8995/006-602	1
7 m	891-8995/006-701	891-8995/006-702	1
8 m	891-8995/006-801	891-8995/006-802	1




Connecting cable ▶ Socket - free end ▶ Protection type: IP20

Total length	Connector color / Strain relief color		PU
	black / black	white / white	
1 m	891-8995/106-101	891-8995/106-102	1
2 m	891-8995/106-201	891-8995/106-202	1
3 m	891-8995/106-301	891-8995/106-302	1
4 m	891-8995/106-401	891-8995/106-402	1
5 m	891-8995/106-501	891-8995/106-502	1
6 m	891-8995/106-601	891-8995/106-602	1
7 m	891-8995/106-701	891-8995/106-702	1
8 m	891-8995/106-801	891-8995/106-802	1

Connecting cable ▶ Plug - free end ▶ Protection type: IP20; IP40 when mated

Total length	Connector color / Strain relief color		PU
	black / black	white / white	
1 m	891-8995/206-101	891-8995/206-102	1
2 m	891-8995/206-201	891-8995/206-202	1
3 m	891-8995/206-301	891-8995/206-302	1
4 m	891-8995/206-401	891-8995/206-402	1
5 m	891-8995/206-501	891-8995/206-502	1
6 m	891-8995/206-601	891-8995/206-602	1
7 m	891-8995/206-701	891-8995/206-702	1
8 m	891-8995/206-801	891-8995/206-802	1

Accessories; for all products on this page

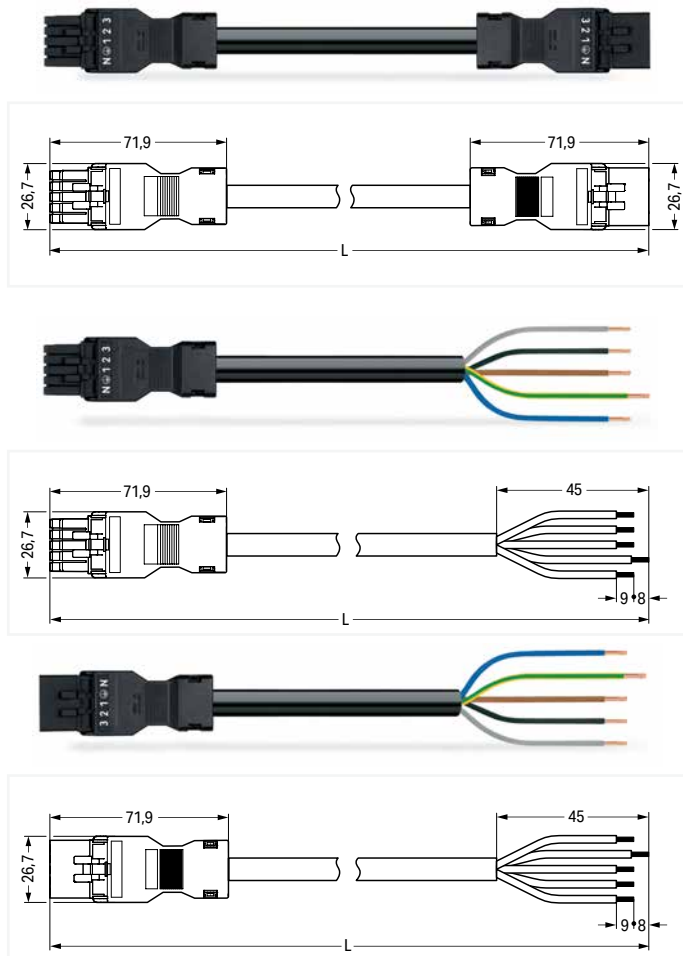
 Locking lever; for flying leads; manually operated			 Locking lever; for flying leads; tool operated			 Mounting carrier; for flying leads; 2- to 5-pole		
Color	Item No.	PU (SPU)	Color	Item No.	PU (SPU)	Color	Item No.	PU
● black	890-101	100 (50)	● black	890-111	100 (50)	● black	890-310	100
○ white	890-121	100 (50)	○ white	890-131	100 (50)	○ white	890-311	100

PU = packaging unit; SPU = subpackaging unit; Dimensions in mm

Cable assembly ▶ WINSTA® MINI ▶ 891 Series

Pole number: 5 ▶ Fire class per EN 50575: E_{ca} ▶ Coding: A ▶ 1.5 mm² ▶ Marking: N ⊕ 1 2 3 ▶ Halogen-free ▶ H05Z1Z1-F 5G1.5 ▶ General mains applications

1



Interconnecting cable ▶ Socket - Plug ▶ Protection type: IP20; IP40 when mated

Total length	Connector color / Strain relief color		PU
	black / black	white / white	
1 m	891-8995/016-101	891-8995/016-102	1
2 m	891-8995/016-201	891-8995/016-202	1
3 m	891-8995/016-301	891-8995/016-302	1
4 m	891-8995/016-401	891-8995/016-402	1
5 m	891-8995/016-501	891-8995/016-502	1
6 m	891-8995/016-601	891-8995/016-602	1
7 m	891-8995/016-701	891-8995/016-702	1
8 m	891-8995/016-801	891-8995/016-802	1

Connecting cable ▶ Socket - free end ▶ Protection type: IP40

Total length	Connector color / Strain relief color		PU
	black / black	white / white	
1 m	891-8995/116-101	891-8995/116-102	1
2 m	891-8995/116-201	891-8995/116-202	1
3 m	891-8995/116-301	891-8995/116-302	1
4 m	891-8995/116-401	891-8995/116-402	1
5 m	891-8995/116-501	891-8995/116-502	1
6 m	891-8995/116-601	891-8995/116-602	1
7 m	891-8995/116-701	891-8995/116-702	1
8 m	891-8995/116-801	891-8995/116-802	1

Connecting cable ▶ Plug - free end ▶ Protection type: IP20; IP40 when mated

Total length	Connector color / Strain relief color		PU
	black / black	white / white	
1 m	891-8995/216-101	891-8995/216-102	1
2 m	891-8995/216-201	891-8995/216-202	1
3 m	891-8995/216-301	891-8995/216-302	1
4 m	891-8995/216-401	891-8995/216-402	1
5 m	891-8995/216-501	891-8995/216-502	1
6 m	891-8995/216-601	891-8995/216-602	1
7 m	891-8995/216-701	891-8995/216-702	1
8 m	891-8995/216-801	891-8995/216-802	1

Accessories; for all products on this page



Locking lever; for flying leads; manually operated



Locking lever; for flying leads; tool operated



Mounting carrier; for flying leads; 2- to 5-pole

Color	Item No.	PU (SPU)
● black	890-101	100 (50)
○ white	890-121	100 (50)

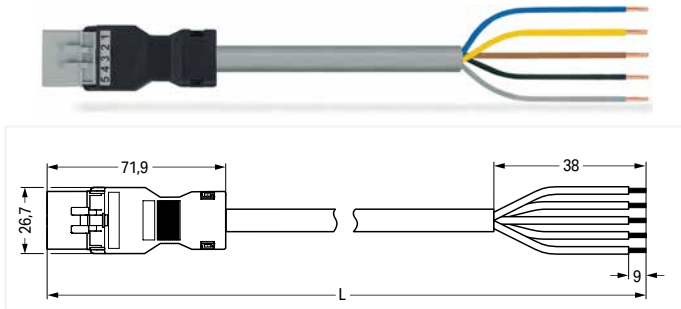
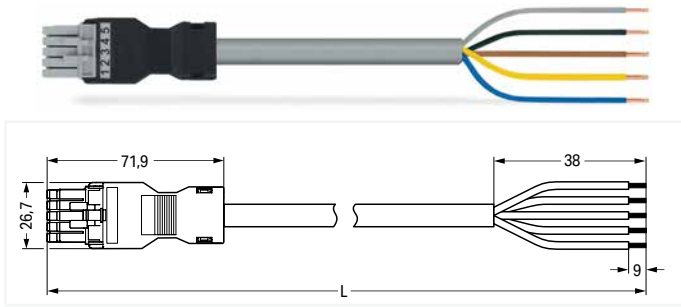
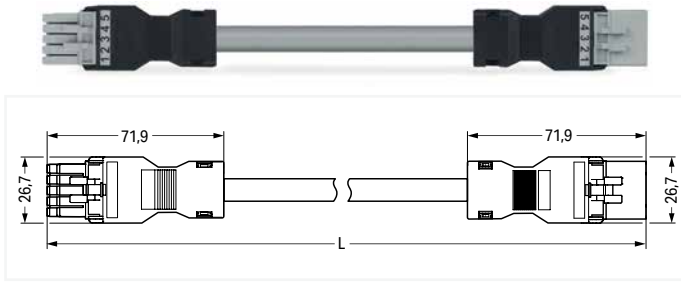
Color	Item No.	PU (SPU)
● black	890-111	100 (50)
○ white	890-131	100 (50)

Color	Item No.	PU
● black	890-310	100
○ white	890-311	100

PU = packaging unit; SPU = subpackaging unit; Dimensions in mm

Cable assembly ▶ WINSTA® MINI ▶ 891 Series

Pole number: 5 ▶ Fire class per EN 50575: E_{ca} ▶ Coding: B ▶ 1 mm² ▶ Marking: 1 2 3 4 5 ▶ PVC ▶ H05VV-F 5x1 ▶ Control technology



Interconnecting cable ▶ Socket - Plug ▶ Protection type: IP20; IP40 when mated

Total length	Connector color / Strain relief color			PU
	gray / black	light green / black	pink / black	
1 m	891-8995/005-103	891-8995/005-105	891-8995/005-107	1
2 m	891-8995/005-203	891-8995/005-205	891-8995/005-207	1
3 m	891-8995/005-303	891-8995/005-305	891-8995/005-307	1
4 m	891-8995/005-403	891-8995/005-405	891-8995/005-407	1
5 m	891-8995/005-503	891-8995/005-505	891-8995/005-507	1
6 m	891-8995/005-603	891-8995/005-605	891-8995/005-607	1
7 m	891-8995/005-703	891-8995/005-705	891-8995/005-707	1
8 m	891-8995/005-803	891-8995/005-805	891-8995/005-807	1

Connecting cable ▶ Socket - free end ▶ Protection type: IP40

Total length	Connector color / Strain relief color			PU
	gray / black	light green / black	pink / black	
1 m	891-8995/105-103	891-8995/105-105	891-8995/105-107	1
2 m	891-8995/105-203	891-8995/105-205	891-8995/105-207	1
3 m	891-8995/105-303	891-8995/105-305	891-8995/105-307	1
4 m	891-8995/105-403	891-8995/105-405	891-8995/105-407	1
5 m	891-8995/105-503	891-8995/105-505	891-8995/105-507	1
6 m	891-8995/105-603	891-8995/105-605	891-8995/105-607	1
7 m	891-8995/105-703	891-8995/105-705	891-8995/105-707	1
8 m	891-8995/105-803	891-8995/105-805	891-8995/105-807	1

Connecting cable ▶ Plug - free end ▶ Protection type: IP20; IP40 when mated

Total length	Connector color / Strain relief color			PU
	gray / black	light green / black	pink / black	
1 m	891-8995/205-103	891-8995/205-105	891-8995/205-107	1
2 m	891-8995/205-203	891-8995/205-205	891-8995/205-207	1
3 m	891-8995/205-303	891-8995/205-305	891-8995/205-307	1
4 m	891-8995/205-403	891-8995/205-405	891-8995/205-407	1
5 m	891-8995/205-503	891-8995/205-505	891-8995/205-507	1
6 m	891-8995/205-603	891-8995/205-605	891-8995/205-607	1
7 m	891-8995/205-703	891-8995/205-705	891-8995/205-707	1
8 m	891-8995/205-803	891-8995/205-805	891-8995/205-807	1

Accessories; for all products on this page



Locking lever; for flying leads; manually operated



Locking lever; for flying leads; tool operated



Mounting carrier; for flying leads; 2- to 5-pole

Color	Item No.	PU (SPU)
● black	890-101	100 (50)
○ white	890-121	100 (50)

Color	Item No.	PU (SPU)
● black	890-111	100 (50)
○ white	890-131	100 (50)

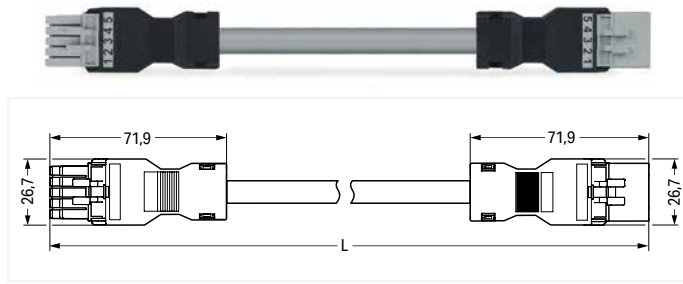
Color	Item No.	PU
● black	890-310	100
○ white	890-311	100

PU = packaging unit; SPU = subpackaging unit; Dimensions in mm

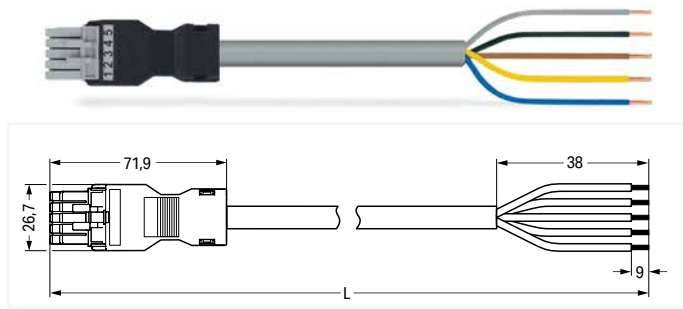
Cable assembly ▶ WINSTA® MINI ▶ 891 Series

Pole number: 5 ▶ Fire class per EN 50575: E_{ca} ▶ Coding: B ▶ 1.5 mm² ▶ Marking: 1 2 3 4 5 ▶ PVC ▶ H05VV-F 5x1.5 ▶ Control technology

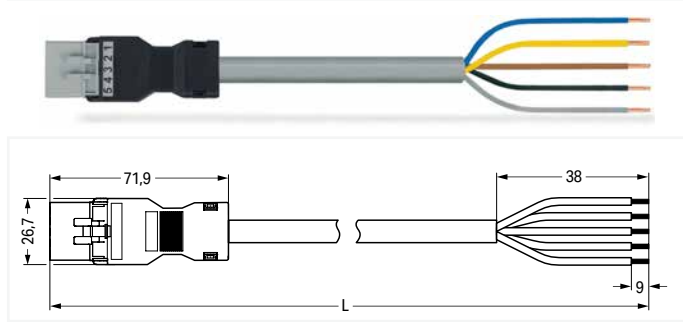
1



Interconnecting cable ▶ Socket - Plug ▶ Protection type: IP20; IP40 when mated				
Total length	Connector color / Strain relief color			PU
	gray / black	light green / black	pink / black	
1 m	891-8995/006-103	891-8995/006-105	891-8995/006-107	1
2 m	891-8995/006-203	891-8995/006-205	891-8995/006-207	1
3 m	891-8995/006-303	891-8995/006-305	891-8995/006-307	1
4 m	891-8995/006-403	891-8995/006-405	891-8995/006-407	1
5 m	891-8995/006-503	891-8995/006-505	891-8995/006-507	1
6 m	891-8995/006-603	891-8995/006-605	891-8995/006-607	1
7 m	891-8995/006-703	891-8995/006-705	891-8995/006-707	1
8 m	891-8995/006-803	891-8995/006-805	891-8995/006-807	1



Connecting cable ▶ Socket - free end ▶ Protection type: IP40				
Total length	Connector color / Strain relief color			PU
	gray / black	light green / black	pink / black	
1 m	891-8995/106-103	891-8995/106-105	891-8995/106-107	1
2 m	891-8995/106-203	891-8995/106-205	891-8995/106-207	1
3 m	891-8995/106-303	891-8995/106-305	891-8995/106-307	1
4 m	891-8995/106-403	891-8995/106-405	891-8995/106-407	1
5 m	891-8995/106-503	891-8995/106-505	891-8995/106-507	1
6 m	891-8995/106-603	891-8995/106-605	891-8995/106-607	1
7 m	891-8995/106-703	891-8995/106-705	891-8995/106-707	1
8 m	891-8995/106-803	891-8995/106-805	891-8995/106-807	1



Connecting cable ▶ Plug - free end ▶ Protection type: IP20; IP40 when mated				
Total length	Connector color / Strain relief color			PU
	gray / black	light green / black	pink / black	
1 m	891-8995/206-103	891-8995/206-105	891-8995/206-107	1
2 m	891-8995/206-203	891-8995/206-205	891-8995/206-207	1
3 m	891-8995/206-303	891-8995/206-305	891-8995/206-307	1
4 m	891-8995/206-403	891-8995/206-405	891-8995/206-407	1
5 m	891-8995/206-503	891-8995/206-505	891-8995/206-507	1
6 m	891-8995/206-603	891-8995/206-605	891-8995/206-607	1
7 m	891-8995/206-703	891-8995/206-705	891-8995/206-707	1
8 m	891-8995/206-803	891-8995/206-805	891-8995/206-807	1

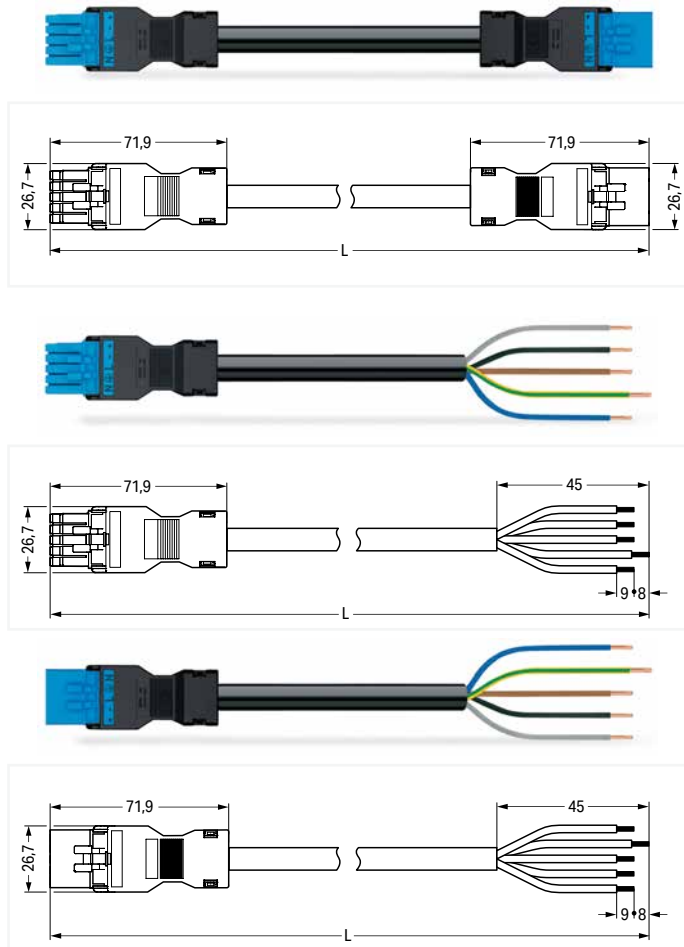
Accessories; for all products on this page

Locking lever; for flying leads; manually operated			Locking lever; for flying leads; tool operated			Mounting carrier; for flying leads; 2- to 5-pole		
Color	Item No.	PU (SPU)	Color	Item No.	PU (SPU)	Color	Item No.	PU
● black	890-101	100 (50)	● black	890-111	100 (50)	● black	890-310	100
○ white	890-121	100 (50)	○ white	890-131	100 (50)	○ white	890-311	100

PU = packaging unit; SPU = subpackaging unit; Dimensions in mm

Cable assembly ▶ WINSTA® MINI ▶ 891 Series

Pole number: 5 ▶ Fire class per EN 50575: E_{ca} ▶ Coding: I ▶ 1.5 mm² ▶ Marking: N ⊕ L - + ▶ PVC ▶ H05VV-F 5G1.5 ▶ DALI, Lighting Management



Interconnecting cable ▶ Socket - Plug ▶ Protection type: IP20; IP40 when mated

Total length	Connector color / Strain relief color		PU
	blue / black	blue / white	
1 m	891-8985/006-101	891-8985/006-102	1
2 m	891-8985/006-201	891-8985/006-202	1
3 m	891-8985/006-301	891-8985/006-302	1
4 m	891-8985/006-401	891-8985/006-402	1
5 m	891-8985/006-501	891-8985/006-502	1
6 m	891-8985/006-601	891-8985/006-602	1
7 m	891-8985/006-701	891-8985/006-702	1
8 m	891-8985/006-801	891-8985/006-802	1

Connecting cable ▶ Socket - free end ▶ Protection type: IP40

Total length	Connector color / Strain relief color		PU
	blue / black	blue / white	
1 m	891-8985/106-101	891-8985/106-102	1
2 m	891-8985/106-201	891-8985/106-202	1
3 m	891-8985/106-301	891-8985/106-302	1
4 m	891-8985/106-401	891-8985/106-402	1
5 m	891-8985/106-501	891-8985/106-502	1
6 m	891-8985/106-601	891-8985/106-602	1
7 m	891-8985/106-701	891-8985/106-702	1
8 m	891-8985/106-801	891-8985/106-802	1

Connecting cable ▶ Plug - free end ▶ Protection type: IP20; IP40 when mated

Total length	Connector color / Strain relief color		PU
	blue / black	blue / white	
1 m	891-8985/206-101	891-8985/206-102	1
2 m	891-8985/206-201	891-8985/206-202	1
3 m	891-8985/206-301	891-8985/206-302	1
4 m	891-8985/206-401	891-8985/206-402	1
5 m	891-8985/206-501	891-8985/206-502	1
6 m	891-8985/206-601	891-8985/206-602	1
7 m	891-8985/206-701	891-8985/206-702	1
8 m	891-8985/206-801	891-8985/206-802	1

Accessories; for all products on this page

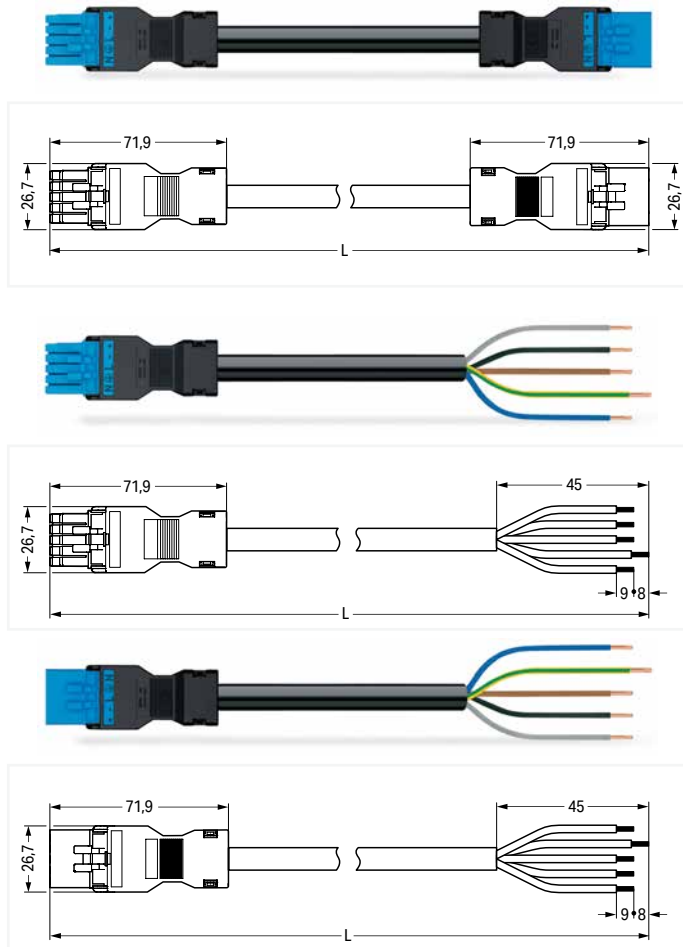
Locking lever; for flying leads; manually operated			Locking lever; for flying leads; tool operated			Mounting carrier; for flying leads; 2- to 5-pole		
Color	Item No.	PU (SPU)	Color	Item No.	PU (SPU)	Color	Item No.	PU
● black	890-101	100 (50)	● black	890-111	100 (50)	● black	890-310	100
○ white	890-121	100 (50)	○ white	890-131	100 (50)	○ white	890-311	100

PU = packaging unit; SPU = subpackaging unit; Dimensions in mm

Cable assembly ▶ WINSTA® MINI ▶ 891 Series

Pole number: 5 ▶ Fire class per EN 50575: E_{ca} ▶ Coding: I ▶ 1.5 mm² ▶ Marking: N ⊕ L - + ▶ Halogen-free ▶ H05Z1Z1-F 5G1.5 ▶ DALI, Lighting Management

1



Interconnecting cable ▶ Socket - Plug ▶ Protection type: IP20; IP40 when mated			
Total length	Connector color / Strain relief color		PU
	blue / black	blue / white	
1 m	891-8985/016-101	891-8985/016-102	1
2 m	891-8985/016-201	891-8985/016-202	1
3 m	891-8985/016-301	891-8985/016-302	1
4 m	891-8985/016-401	891-8985/016-402	1
5 m	891-8985/016-501	891-8985/016-502	1
6 m	891-8985/016-601	891-8985/016-602	1
7 m	891-8985/016-701	891-8985/016-702	1
8 m	891-8985/016-801	891-8985/016-802	1

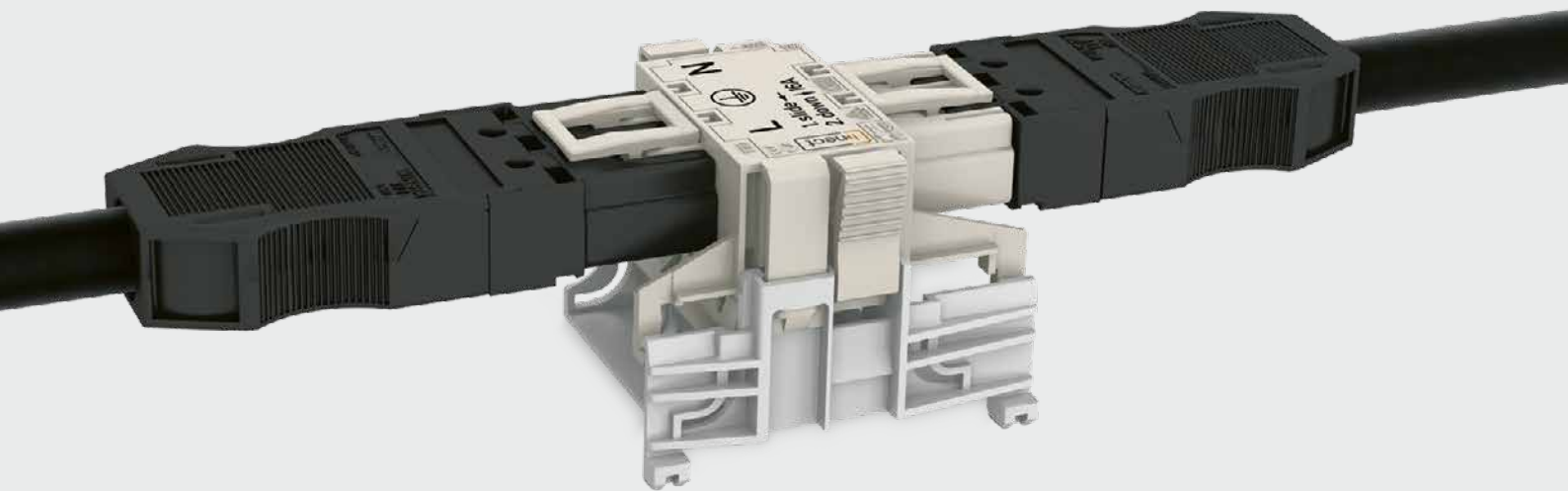
Connecting cable ▶ Socket - free end ▶ Protection type: IP40			
Total length	Connector color / Strain relief color		PU
	blue / black	blue / white	
1 m	891-8985/116-101	891-8985/116-102	1
2 m	891-8985/116-201	891-8985/116-202	1
3 m	891-8985/116-301	891-8985/116-302	1
4 m	891-8985/116-401	891-8985/116-402	1
5 m	891-8985/116-501	891-8985/116-502	1
6 m	891-8985/116-601	891-8985/116-602	1
7 m	891-8985/116-701	891-8985/116-702	1
8 m	891-8985/116-801	891-8985/116-802	1

Connecting cable ▶ Plug - free end ▶ Protection type: IP20; IP40 when mated			
Total length	Connector color / Strain relief color		PU
	blue / black	blue / white	
1 m	891-8985/216-101	891-8985/216-102	1
2 m	891-8985/216-201	891-8985/216-202	1
3 m	891-8985/216-301	891-8985/216-302	1
4 m	891-8985/216-401	891-8985/216-402	1
5 m	891-8985/216-501	891-8985/216-502	1
6 m	891-8985/216-601	891-8985/216-602	1
7 m	891-8985/216-701	891-8985/216-702	1
8 m	891-8985/216-801	891-8985/216-802	1

Accessories; for all products on this page

	Locking lever; for flying leads; manually operated		Locking lever; for flying leads; tool operated		Mounting carrier; for flying leads; 2- to 5-pole			
Color	Item No.	PU (SPU)	Color	Item No.	PU (SPU)	Color	Item No.	PU
● black	890-101	100 (50)	● black	890-111	100 (50)	● black	890-310	100
○ white	890-121	100 (50)	○ white	890-131	100 (50)	○ white	890-311	100

PU = packaging unit; SPU = subpackaging unit; Dimensions in mm



WAGO Pluggable Connection System *WINSTA*® MIDI

WAGO Pluggable Connection System WINSTA® MIDI ▶ 770, 771 Series

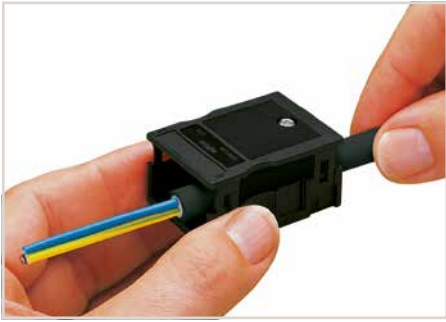
4 mm² / 25 A

- Note:**
- Installation connectors are designed for connection and disconnection while not under load.
 - There is no hazard-inducing interchangeability with systems based on IEC 60309, IEC 60320, IEC 60906 and with national connector and socket systems.
 - Compliance with the standards (IEC 61535) does not guarantee hazard-preventing, non-interchangeability with installation connector systems from various manufacturers.
 - Installation connector systems are not a substitute for residential connector/socket systems.
 - B-Coded components from the WINSTA® MIDI series are designed for specialty applications (e.g., measurement, control and regulation technology) and certified per DIN EN 61984.
 - WINSTA® MIDI Connectors are not intended for installation in open or easily accessible areas.

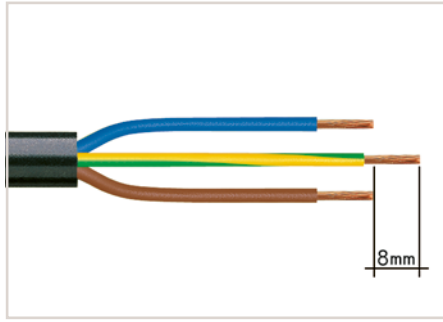
		Page
	Linect® T-Connectors; 770 Series	
	2-pole	129
	3-pole	167
	4-pole	209
	5-pole	241
	Pluggable Connectors; 770 Series	
	2-pole	124
	3-pole	148
	4-pole	196
	5-pole	222
	Snap-In Device Connectors; 770 Series	
	3-pole	154
	4-pole	200
	5-pole	228
	Pluggable PCB Connectors; 770 Series	
	3-pole	160
	4-pole	204
	5-pole	232
	Distribution Connectors; 770 Series	
	2-pole	128
	3-pole	164
	4-pole	208
	5-pole	238
	Cable Assemblies; 771 Series	
	2-pole	134
	3-pole	174
	4-pole	214
	5-pole	248
	Cable Assemblies; IP 2XD; 771 Series	
	3-pole	175

WINSTA® MIDI ▶ 770, 771 Series Installation

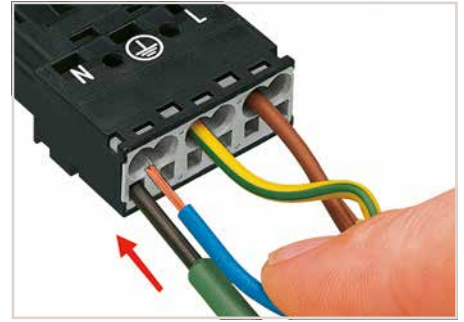
2



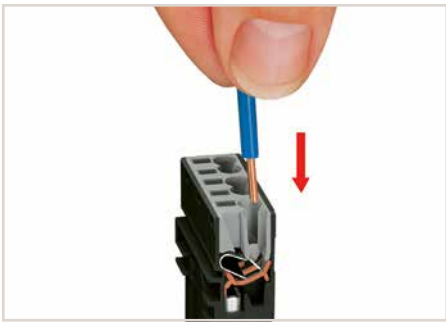
We recommend pulling the pre-latched strain relief housing over the cable prior to termination. However, the strain relief can be mounted at a later time as well.



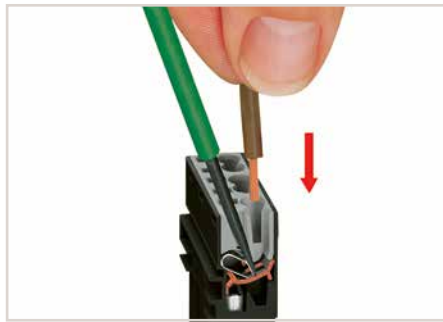
1. Strip length, outer insulation = x mm ❶
2. Strip length = 9 mm
3. Extended ground conductor = 8 mm



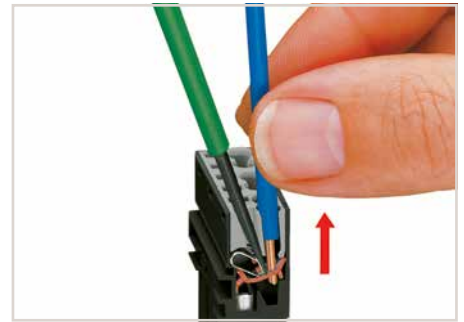
To terminate fine-stranded conductors, open the clamping unit via screwdriver (2.5 mm blade width) and insert a stripped conductor until it hits backstop.



Insert the stripped solid conductor until it hits backstop.



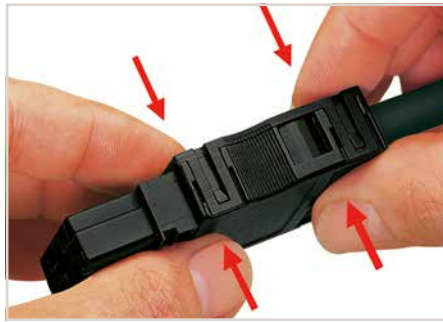
To terminate fine-stranded conductors, open the clamping unit via screwdriver (2.5 mm blade width) and insert a stripped conductor until it hits backstop.



To remove the conductor, actuate the clamp via screwdriver (2.5 mm blade width) and pull out the conductor.



Latch the strain relief housing on the plug/socket. Note the "TOP" inscription.



Prepare strain relief housing by snapping together upper and bottom part.



Tighten strain relief screw via screwdriver (2.5 mm blade width).



Simply cut off the coding pin from the socket.



Insert coding pin into plug (break first) until it engages.



Marking strain relief housing via WSB Quick Marking System.

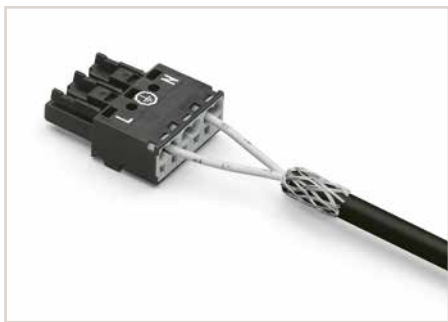
❶ Strip length, outer insulation: 2-pole = 35 mm, 3- to 5-pole = 55 mm



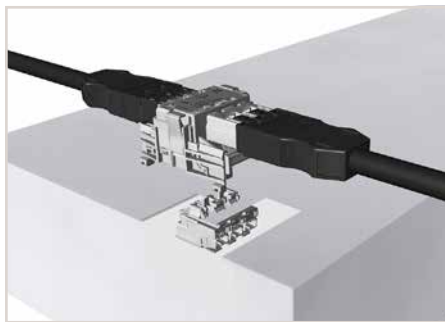
Connector with shield termination



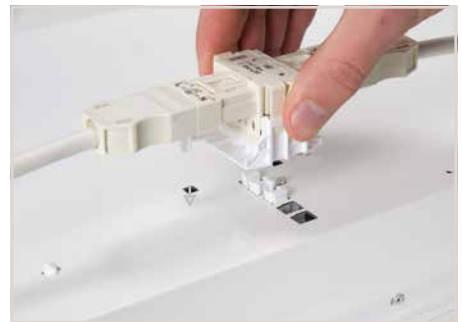
the light connection system



Apply the shield to the rubber cable.
Strip length, outer insulation = 55 mm
Shield length = 10 mm



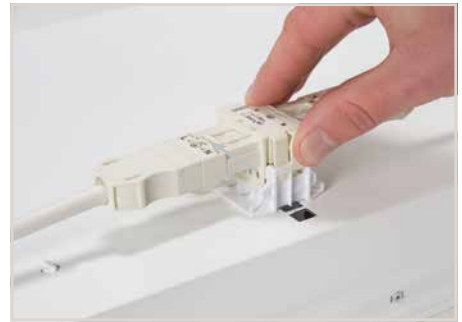
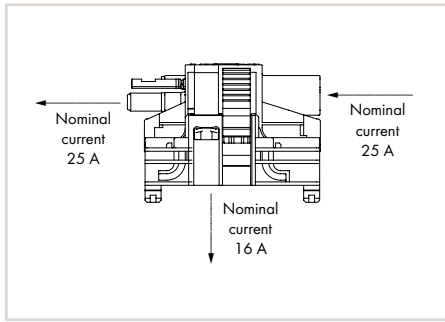
Connecting a T-connector to a 294 Series lighting connector.



Align the T-connector with the square cutouts.



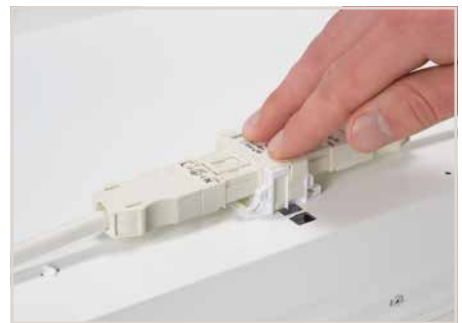
Push the shield connecting plate into the connector until fully inserted.



Move the T-connector toward the square cutouts until it is locked in position.



First insert the wired connector into strain relief housing, then snap cover and tighten screw.



Push down until fully engaged – done!

WINSTA® MIDI ▶ Coding: B ▶ 770, 771 Series

Description and Installation



Gray, B-coded connector with "3 2 1" marking, e.g., control signal (A circuit)



Easy circuit identification via different marking and colors



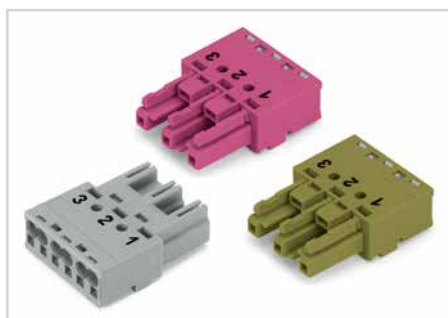
B-coded connectors (shown in gray) not only differ in color, but also in their design, making them incompatible with other coded connectors.



Light green, B-coded connector with "3 2 1" marking, e.g., DC power supply (24 V circuit)



Pink, B-coded connector with "3 2 1" marking, e.g., control signal (B circuit)



B-coded connectors with different colors can be plugged together.

Important note:

Different colors and/or pole markings are used for circuit identification.

Only connectors of the same color and same pole marking must be plugged together.



WINSTA® MIDI ▶ 770, 771 Series Marking



Labeling strain relief housings (770 Series) via marking strips (Item No. 210-333)



Labeling strain relief housings (771 Series) via marking strips (Item No. 210-334)

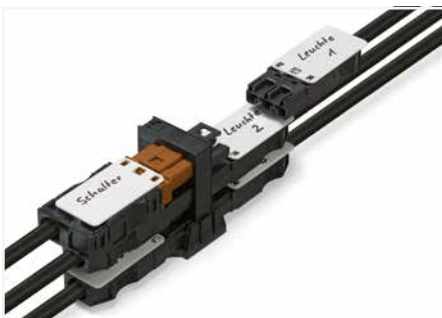


Labeling strain relief housings via WSB Quick Marking System.

2



Cable assembly with marker for custom labeling



Distribution connector with custom labeled cables



Colored markers for extra visual identification of cable assemblies on a WINSTA® Distribution Box

Pluggable connectors ▶ WINSTA® MIDI ▶ 770 Series

Pole number: 2 ▶ Number of connection points: 2 ▶ Protection type: IP20



- Protected against mismatching and maintenance-free
- Push-in CAGE CLAMP® spring pressure connection technology allows solid conductors to be simply pushed into a unit
- Two-wire connection per pole for loops or bridges

Electrical data			
Coding	A; B; I; L		
Ratings per	IEC/EN 60664-1		
Overvoltage category	III	III	II
Pollution degree	3	2	2
Nominal voltage	250 V	-	-
Rated surge voltage	4 kV	-	-
Rated current	25 A	-	-
Connection data			
Connection technology	Push-in CAGE CLAMP®		
Strip length	9 mm / 0.35 inches		
Nominal cross-section	4 mm ² / 12 AWG		
Solid conductor	0.5 ... 4 mm ² / 20 ... 12 AWG		
Solid conductor; push-in termination	1.5 ... 4 mm ² / 16 ... 12 AWG		
Stranded conductor	0.5 ... 2.5 mm ² / 20 ... 14 AWG		
Fine-stranded conductor	0.5 ... 4 mm ² / 20 ... 12 AWG		
Fine-stranded conductor; with insulated ferrule	0.25 ... 1.5 mm ² / 20 ... 16 AWG		
Fine-stranded conductor; with uninsulated ferrule	0.25 ... 2.5 mm ² / 20 ... 14 AWG		
Fine-stranded conductor; with ferrule; push-in termination	1.5 mm ² / 16 AWG		
Material data			
Material group	I		
Insulation material (main housing)	Polyamide (PA66)		
Flammability class per UL94	V0		
Clamping spring material	Chrome-nickel spring steel (CrNi)		
Contact material	Copper or copper alloy; surface-treated		
Contact Plating	Tin		
Mechanical data			
Number of mating cycles	200, without resistive load		
Mating force of a plug-in connection	approx. 20 ... 70 N (depending on pole number)		
Unmating force of a plug-in connection	Unlocked: approx. 20 ... 70 N (depending on pole number)		
Retention force of a plug-in connection	Locked: > 80 N		
Protection type	IP20		
Note on protection type	When mated and secured with a strain relief housing: IP2xC (These compact connectors are not designed for use in open, easily accessible areas!)		
Environmental requirements			
Processing temperature	-5 ... +40 °C		
Continuous operating temperature	-35 ... +85 °C		
Note on continuous operating temperature	Insulating parts for temperatures ≤ 105 °C		

Note:

All WINSTA® components are 100% protected against mismatching when:

- plugging different numbers of poles
- plugging while rotated 180
- plugging while laterally staggered
- plugging one pole

All connectors for mounted installations (snap-in versions for lighting fixtures or devices, all types of PCB and distribution connectors) are factory-equipped with locking levers to ensure plugs and sockets are securely locked. Additional locking levers are only required for flying leads (plug/socket).

Cover	Page 370
Installation	Page 384
Tool	Page 394
See technical section for further information	
Approvals and corresponding ratings, visit www.wago.com	

Pluggable connectors ► WINSTA® MIDI ► 770 Series

Pole number: 2 ► Number of connection points: 2 ► Protection type: IP20

Female connector/socket ► Strain relief housing ► Strip length (outer insulation): 35 mm
► Connectable sheathed cable diameter: 7 ... 10.5 mm

Male connector/plug ► Strain relief housing ► Strip length (outer insulation): 35 mm ►
Connectable sheathed cable diameter: 7 ... 10.5 mm

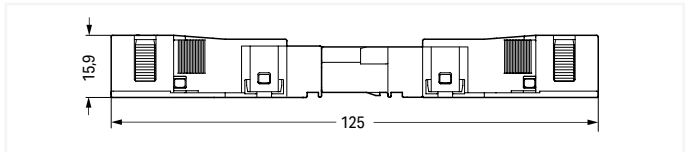
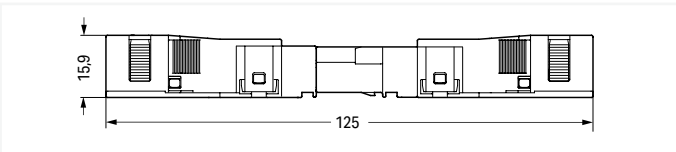
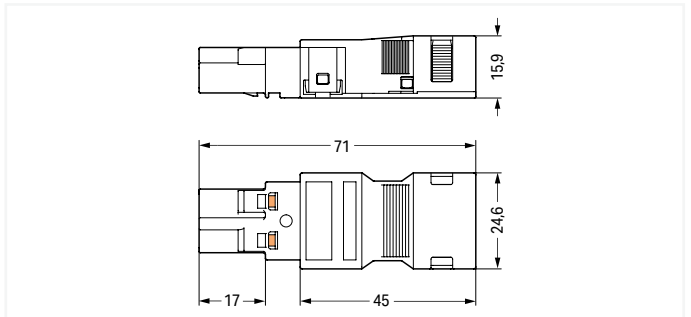
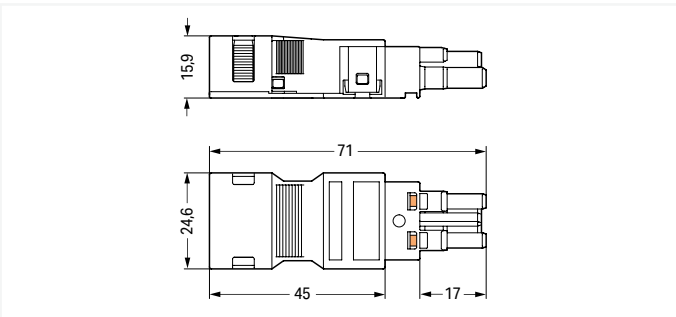


770-102/041-000

770-112/041-000

General mains applications				
Color	Coding	Marking	Item No.	PU
● black	A	L N	770-102/041-000	25
○ white	A	L N	770-122/041-000	25

General mains applications				
Color	Coding	Marking	Item No.	PU
● black	A	N L	770-112/041-000	25
○ white	A	N L	770-132/041-000	25



Overall length when mated

Overall length when mated

Item-Specific Accessories

Item-Specific Accessories



Lockout cap; for socket; separable;
Pole number: 12



Lockout cap; for plugs; separable; Pole
number: 5

Color	Item No.	PU
● black	770-201	100
○ white	770-221	100

Color	Item No.	PU
● yellow	770-360	100

Accessories; for all products on this page



Locking lever; for flying leads; manually
operated



Locking lever; for flying leads; tool
operated



Operating tool; 2 -times

Color	Item No.	PU (SPU)
● black	770-101	100 (25)
○ white	770-121	100 (25)

Color	Item No.	PU (SPU)
● black	770-111	100 (25)
○ white	770-131	100 (25)

Color	Item No.	PU (SPU)
● green	770-382	50 (1)

PU = packaging unit; SPU = subpackaging unit; Dimensions in mm

Pluggable connectors ▶ WINSTA® MIDI ▶ 770 Series

Pole number: 2 ▶ Number of connection points: 2 ▶ Protection type: IP20

Female connector/socket



Male connector/plug



General mains applications

Color	Coding	Marking	Item No.	PU
● black	A	L N	770-202	100
○ white	A	L N	770-222	100

Control technology

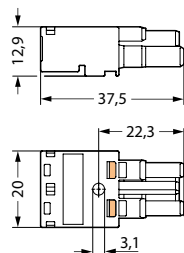
Color	Coding	Marking	Item No.	PU
○ gray	B	1 2	770-242	100
○ gray	B	L N	770-242/060-000	100
● light green	B	1 2	770-262	100
● pink	B	1 2	770-282	100
● pink	B	I+ I-	770-282/080-000	100
● pink	B	+ -	770-282/082-000	100

DALI, Lighting Management

Color	Coding	Marking	Item No.	PU
● blue	I	DA+ DA-	770-1102	100

Emergency power supply

Color	Coding	Marking	Item No.	PU
● dark gray	L	L' N'	770-1162	100



Item-Specific Accessories



Lockout cap; for socket; separable; Pole number: 12

Color	Item No.	PU
● black	770-201	100
○ white	770-221	100

General mains applications

Color	Coding	Marking	Item No.	PU
● black	A	N L	770-212	100
○ white	A	N L	770-232	100

Control technology

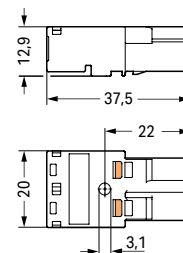
Color	Coding	Marking	Item No.	PU
○ gray	B	2 1	770-252	100
○ gray	B	N L	770-252/060-000	100
● light green	B	2 1	770-272	100
● pink	B	2 1	770-292	100
● pink	B	I- I+	770-292/080-000	100
● pink	B	- +	770-292/082-000	100

DALI, Lighting Management

Color	Coding	Marking	Item No.	PU
● blue	I	DA- DA+	770-1112	100

Emergency power supply

Color	Coding	Marking	Item No.	PU
● dark gray	L	N' L'	770-1172	100



Item-Specific Accessories



Lockout cap; for plugs; separable; Pole number: 5

Color	Item No.	PU
● yellow	770-360	100

Accessories; for all products on this page



Locking lever; for flying leads; manually operated

Color	Item No.	PU (SPU)
● black	770-101	100 (25)
○ white	770-121	100 (25)



Locking lever; for flying leads; tool operated

Color	Item No.	PU (SPU)
● black	770-111	100 (25)
○ white	770-131	100 (25)



Strain relief housing; Connectable sheathed cable diameter: 7 ... 10.5 mm; Strip length (outer insulation): 35 mm

Color	Item No.	PU
● black	770-502/041-000	50
○ white	770-512/041-000	50



Strain relief housing; Connectable sheathed cable diameter: 5 ... 9 mm; Strip length (outer insulation): 35 mm

Color	Item No.	PU
● black	770-502/042-000	50
○ white	770-512/042-000	50



Operating tool; 2 -times

Color	Item No.	PU (SPU)
● green	770-382	50 (1)

PU = packaging unit; SPU = subpackaging unit; Dimensions in mm

Distribution connector ▶ WINSTA® MIDI ▶ 770 Series

Pole number: 2



- Protected against mismatching and maintenance-free

Electrical data			
Coding	I; L; A; B		
Ratings per	IEC/EN 60664-1		
Overvoltage category	III	III	II
Pollution degree	3	2	2
Nominal voltage	250 V	-	-
Rated surge voltage	4 kV	-	-
Rated current	25 A	-	-
Material data			
Insulation material (main housing)	Polyamide (PA66)		
Flammability class per UL94	V0		
Contact material	Copper or copper alloy; surface-treated		
Contact Plating	Tin		
Mechanical data			
Number of mating cycles	200, without resistive load		
Mating force of a plug-in connection	Approx. 20 ... 70 N (depending on pole number)		
Unmating force of a plug-in connection	Unlocked: approx. 20 ... 70 N (depending on pole number)		
Retention force of a plug-in connection	When locked: > 80 N		
Protection type	IP20		
Note on protection type	When mated: IP2xC (These compact connectors are not designed for use in open, easily accessible areas!)		
Number of inputs	1		
Environmental requirements			
Processing temperature	-5 ... +40 °C		
Continuous operating temperature	-35 ... +85 °C		
Note on continuous operating temperature	Insulating parts for temperatures ≤ 105 °C		

Note:

All WINSTA® components are 100% protected against mismatching when:

- plugging different numbers of poles
- plugging while rotated 180
- plugging while laterally staggered
- plugging one pole

All connectors for mounted installations (snap-in versions for lighting fixtures or devices, all types of PCB and distribution connectors) are factory-equipped with locking levers to ensure plugs and sockets are securely locked. Additional locking levers are only required for flying leads (plug/socket).

See technical section for further information

Approvals and corresponding ratings, visit www.wago.com

Distribution connector ▶ WINSTA® MIDI ▶ 770 Series

Pole number: 2

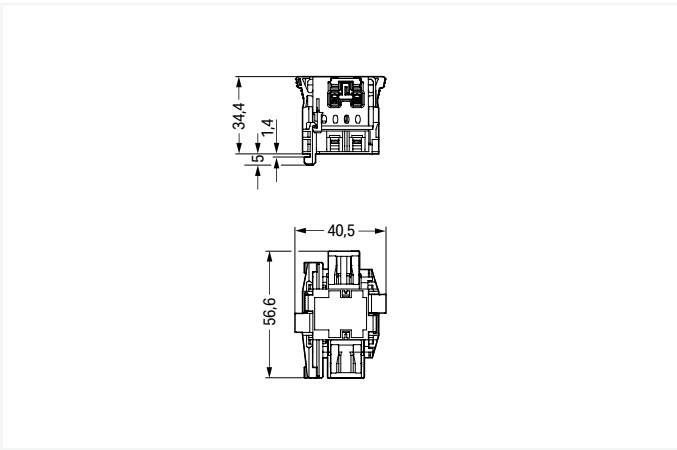
Linect® T-connector



770-7102

DALI, Lighting Management				
Color	Coding	Marking	Item No.	PU
○ white	I	DA+ DA-	770-7102	25

Emergency power supply				
Color	Coding	Marking	Item No.	PU
○ white	L	L' N'	770-7502	25



2

Accessories; for all products on this page



Lockout cap; for socket; separable; Pole number: 12



Lockout cap; for plugs; separable; Pole number: 5

Color	Item No.	PU
● black	770-201	100
○ white	770-221	100

Color	Item No.	PU
● yellow	770-360	100

PU = packaging unit; SPU = subpackaging unit; Dimensions in mm

Distribution connector ▶ WINSTA® MIDI ▶ 770 Series

Pole number: 2

T-distribution connector

Number of locking levers: 2

for flying leads ▶ Number of locking levers: 3



2

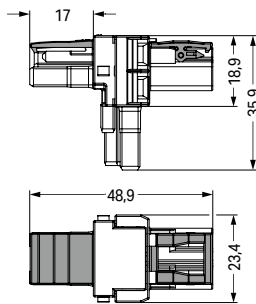
770-1606

General mains applications

Color	Coding	Marking	Item No.	PU
● black	A	L N	770-1606	50
○ white	A	L N	770-1656	50

Control technology

Color	Coding	Marking	Item No.	PU
○ gray	B	1 2	770-1601	50
● light green	B	1 2	770-1602	50
● pink	B	1 2	770-1603	50

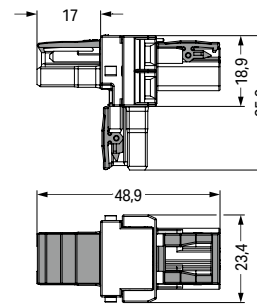


General mains applications

Color	Coding	Marking	Item No.	PU
● black	A	L N	770-1615	50
○ white	A	L N	770-1665	50

Control technology

Color	Coding	Marking	Item No.	PU
○ gray	B	1 2	770-1701	50
● light green	B	1 2	770-1702	50
● pink	B	1 2	770-1703	50



Accessories; for all products on this page



Lockout cap; for socket; separable; Pole number: 12



Lockout cap; for plugs; separable; Pole number: 5

Color	Item No.	PU
● black	770-201	100
○ white	770-221	100

Color	Item No.	PU
● yellow	770-360	100

PU = packaging unit; SPU = subpackaging unit; Dimensions in mm

Distribution connector ▶ WINSTA® MIDI ▶ 770 Series

Pole number: 2

h-distribution connector, outputs at both ends

Number of locking levers: 2

for flying leads ▶ Number of locking levers: 3

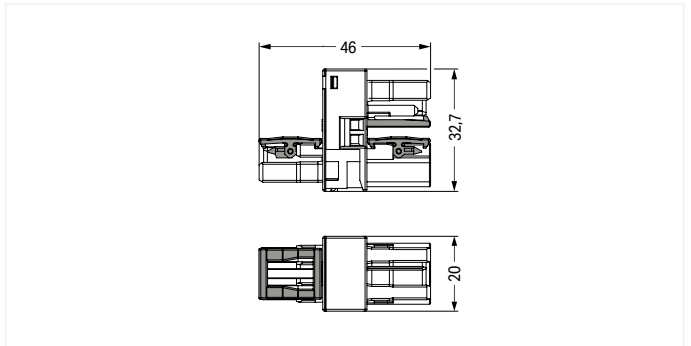
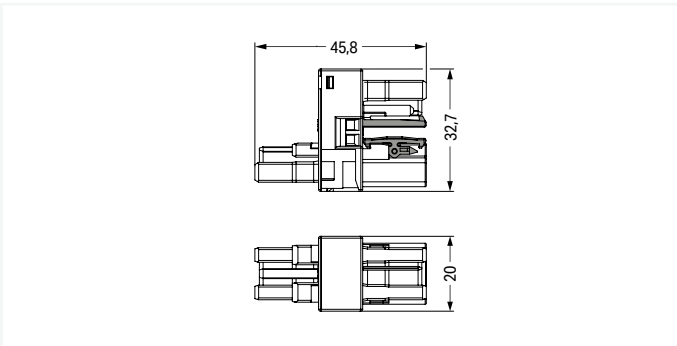


770-1608

770-1658

Control technology				
Color	Coding	Marking	Item No.	PU
○ gray	B	1 2	770-1608	50
● light green	B	1 2	770-1609	50
● pink	B	1 2	770-1610	50

Control technology				
Color	Coding	Marking	Item No.	PU
○ gray	B	1 2	770-1658	50
● light green	B	1 2	770-1659	50
● pink	B	1 2	770-1660	50



2

Accessories; for all products on this page



Lockout cap; for socket; separable; Pole number: 12



Mounting plate; for distribution connectors (except T-distribution connectors); 2-pole



Lockout cap; for plugs; separable; Pole number: 5

Color	Item No.	PU
● black	770-201	100
○ white	770-221	100

Color	Item No.	PU
● black	770-1626	25
○ white	770-1627	25

Color	Item No.	PU
● yellow	770-360	100

PU = packaging unit; SPU = subpackaging unit; Dimensions in mm

Distribution connector ▶ WINSTA® MIDI ▶ 770 Series

Pole number: 2

h-distribution connector, outputs at one end

Number of locking levers: 2

for flying leads ▶ Number of locking levers: 3



2

770-1634

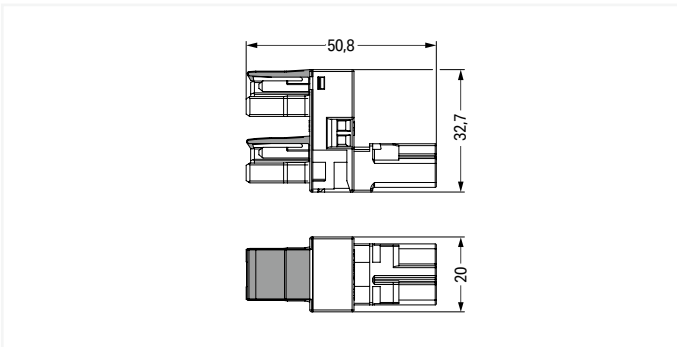
770-1636

General mains applications

Color	Coding	Marking	Item No.	PU
● black	A	L N	770-1634	50
○ white	A	L N	770-1684	50

Control technology

Color	Coding	Marking	Item No.	PU
○ gray	B	1 2	770-1651	50
● light green	B	1 2	770-1652	50
● pink	B	1 2	770-1653	50

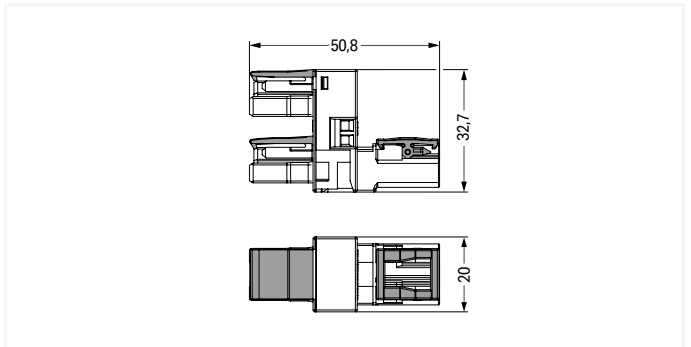


General mains applications

Color	Coding	Marking	Item No.	PU
● black	A	L N	770-1636	50
○ white	A	L N	770-1686	50

Control technology

Color	Coding	Marking	Item No.	PU
○ gray	B	1 2	770-1751	50
● light green	B	1 2	770-1752	50
● pink	B	1 2	770-1753	50



Accessories; for all products on this page



Lockout cap; for socket; separable; Pole number: 12



Mounting plate; for distribution connectors (except T-distribution connectors); 2-pole



Lockout cap; for plugs; separable; Pole number: 5

Color	Item No.	PU
● black	770-201	100
○ white	770-221	100

Color	Item No.	PU
● black	770-1626	25
○ white	770-1627	25

Color	Item No.	PU
● yellow	770-360	100

PU = packaging unit; SPU = subpackaging unit; Dimensions in mm

Distribution connector ▶ WINSTA® MIDI ▶ 770 Series

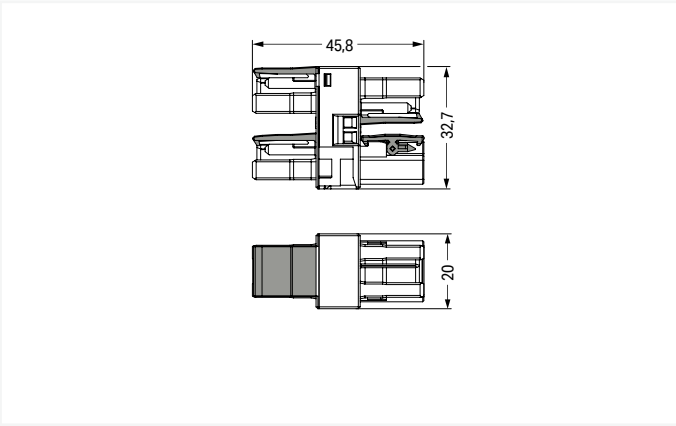
Pole number: 2

Distribution connector, 3-way ▶ Number of locking levers: 4



770-1704

Control technology				
Color	Coding	Marking	Item No.	PU
○ gray	B	1 2	770-1704	50
● light green	B	1 2	770-1705	50
● pink	B	1 2	770-1706	50



2

Accessories; for all products on this page



Lockout cap; for socket; separable; Pole number: 12



Mounting plate; for distribution connectors (except T-distribution connectors); 2-pole



Lockout cap; for plugs; separable; Pole number: 5

Color	Item No.	PU
● black	770-201	100
○ white	770-221	100

Color	Item No.	PU
● black	770-1626	25
○ white	770-1627	25

Color	Item No.	PU
● yellow	770-360	100

PU = packaging unit; SPU = subpackaging unit; Dimensions in mm

Cable assembly ▶ WINSTA® MIDI ▶ 771 Series

Pole number: 2 ▶ Protection type: IP20 ▶ Fire class per EN 50575: E_{ca}



- Protected against mismatching and maintenance-free
- Push-in CAGE CLAMP® spring pressure connection technology allows solid conductors to be simply pushed into a unit.
- Two wire connections per pole for loops or bridges

Electrical data									
Coding	A; B; I; L			A; L			B		
Wire cross-section	1.5 mm ²			2.5 mm ²			1 mm ²		
Ratings per	IEC/EN 60664-1			IEC/EN 60664-1			IEC/EN 60664-1		
Overtoltage category	III	III	II	III	III	II	III	III	II
Pollution degree	3	2	2	3	2	2	3	2	2
Nominal voltage	250 V	-	-	250 V	-	-	250 V	-	-
Rated surge voltage	4 kV	-	-	4 kV	-	-	4 kV	-	-
Rated current	16 A	-	-	20 A	-	-	10 A	-	-
Material data									
Insulation material (main housing)	Polyamide (PA66)								
Contact material	Copper or copper alloy; surface-treated								
Contact Plating	Tin								
Fire class per EN 50575	E _{ca}								
Mechanical data									
Number of mating cycles	200, without resistive load								
Mating force of a plug-in connection	approx. 20 ... 70 N (depending on pole number)								
Unmating force of a plug-in connection	when unlocked: approx. 20 ... 70 N (depending on pole number)								
Retention force of a plug-in connection	when locked: > 80N								
Protection type	IP20								
Note on protection type	When mated: IP2xC (These compact connectors are not designed for use in open, easily accessible areas!)								
Environmental requirements									
Processing temperature	-5 ... +40 °C								
Continuous operating temperature	-35 ... +85 °C								
Note on continuous operating temperature	Cable for temperatures ≤ 70 °C (including halogen-free) Insulating parts for temperatures ≤ 105 °C								

Note:

Cables with a different fire class can be found in the eShop.

All WINSTA® components are 100% protected against mismatching when:

- plugging different numbers of poles
- plugging while rotated 180
- plugging while laterally staggered
- plugging one pole

All connectors for mounted installations (snap-in versions for lighting fixtures or devices, all types of PCB and distribution connectors) are factory-equipped with locking levers to ensure plugs and sockets are securely locked. Additional locking levers are only required for flying leads (plug/socket).

Cover Page 125

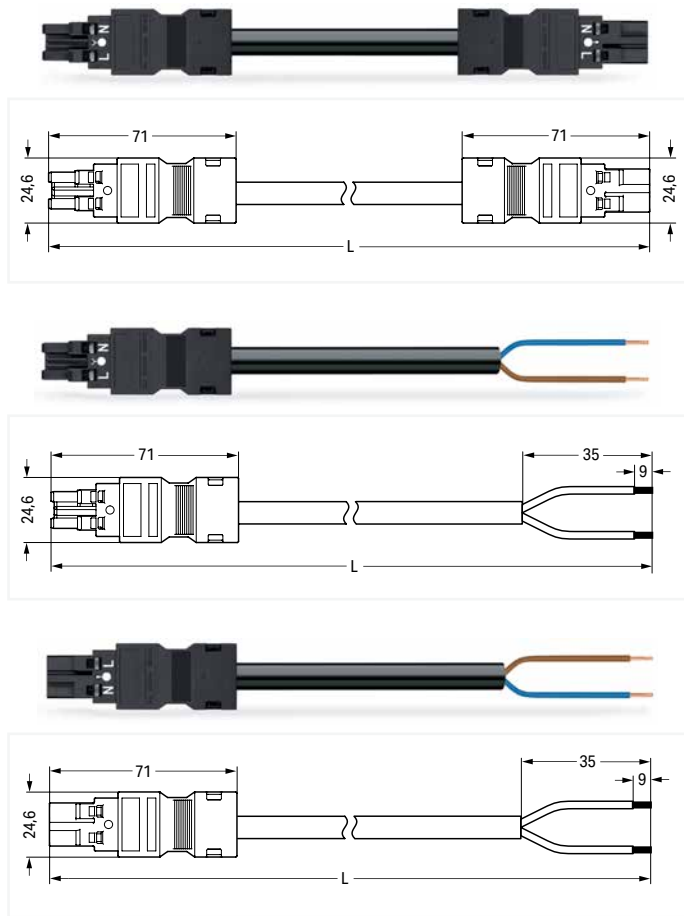
See technical section for further information

Approvals and corresponding ratings, visit www.wago.com

Cable assembly ▶ WINSTA® MIDI ▶ 771 Series

Pole number: 2 ▶ Protection type: IP20 ▶ Fire class per EN 50575: E_{ca} ▶ Coding: A ▶ 1.5 mm² ▶

Marking: L N ▶ PVC ▶ H05VV-F 2x1.5 ▶ General mains applications



Interconnecting cable ▶ Socket - Plug

Total length	Connector color / Strain relief color		PU
	black / black	white / white	
1 m	771-8992/006-101	771-8992/006-102	1
2 m	771-8992/006-201	771-8992/006-202	1
3 m	771-8992/006-301	771-8992/006-302	1
4 m	771-8992/006-401	771-8992/006-402	1
5 m	771-8992/006-501	771-8992/006-502	1
6 m	771-8992/006-601	771-8992/006-602	1
7 m	771-8992/006-701	771-8992/006-702	1
8 m	771-8992/006-801	771-8992/006-802	1

Connecting cable ▶ Socket - free end ▶ Strip length (outer insulation): 35 mm

Total length	Connector color / Strain relief color		PU
	black / black	white / white	
1 m	771-8992/106-101	771-8992/106-102	1
2 m	771-8992/106-201	771-8992/106-202	1
3 m	771-8992/106-301	771-8992/106-302	1
4 m	771-8992/106-401	771-8992/106-402	1
5 m	771-8992/106-501	771-8992/106-502	1
6 m	771-8992/106-601	771-8992/106-602	1
7 m	771-8992/106-701	771-8992/106-702	1
8 m	771-8992/106-801	771-8992/106-802	1

Connecting cable ▶ Plug - free end ▶ Strip length (outer insulation): 35 mm

Total length	Connector color / Strain relief color		PU
	black / black	white / white	
1 m	771-8992/206-101	771-8992/206-102	1
2 m	771-8992/206-201	771-8992/206-202	1
3 m	771-8992/206-301	771-8992/206-302	1
4 m	771-8992/206-401	771-8992/206-402	1
5 m	771-8992/206-501	771-8992/206-502	1
6 m	771-8992/206-601	771-8992/206-602	1
7 m	771-8992/206-701	771-8992/206-702	1
8 m	771-8992/206-801	771-8992/206-802	1

2

Accessories; for all products on this page



Locking lever; for flying leads; manually operated



Locking lever; for flying leads; tool operated



Mounting carrier; for flying leads; 2- to 5-pole

Color	Item No.	PU (SPU)
● black	770-101	100 (25)
○ white	770-121	100 (25)

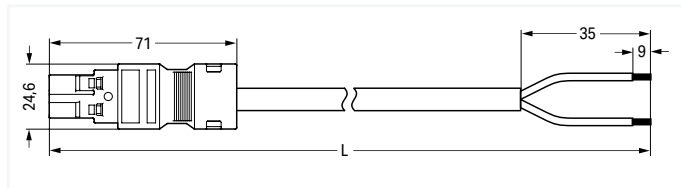
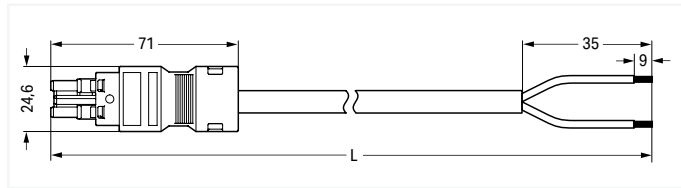
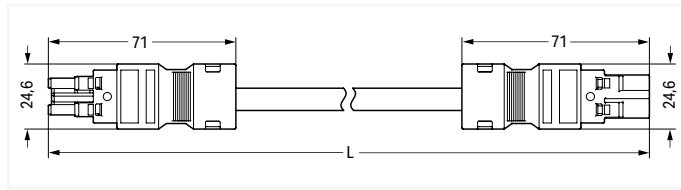
Color	Item No.	PU (SPU)
● black	770-111	100 (25)
○ white	770-131	100 (25)

Color	Item No.	PU
● black	770-310	25

PU = packaging unit; SPU = subpackaging unit; Dimensions in mm

Cable assembly ▶ WINSTA® MIDI ▶ 771 Series

Pole number: 2 ▶ Protection type: IP20 ▶ Fire class per EN 50575: E_{ca} ▶ Coding: A ▶ 1.5 mm² ▶ Marking: L N ▶ Halogen-free ▶ H05Z1Z1-F 2x1.5 ▶ General mains applications



Interconnecting cable ▶ Socket - Plug

Total length	Connector color / Strain relief color		PU
	black / black	white / white	
1 m	771-8992/016-101	771-8992/016-102	1
2 m	771-8992/016-201	771-8992/016-202	1
3 m	771-8992/016-301	771-8992/016-302	1
4 m	771-8992/016-401	771-8992/016-402	1
5 m	771-8992/016-501	771-8992/016-502	1
6 m	771-8992/016-601	771-8992/016-602	1
7 m	771-8992/016-701	771-8992/016-702	1
8 m	771-8992/016-801	771-8992/016-802	1

Connecting cable ▶ Socket - free end ▶ Strip length (outer insulation): 35 mm

Total length	Connector color / Strain relief color		PU
	black / black	white / white	
1 m	771-8992/116-101	771-8992/116-102	1
2 m	771-8992/116-201	771-8992/116-202	1
3 m	771-8992/116-301	771-8992/116-302	1
4 m	771-8992/116-401	771-8992/116-402	1
5 m	771-8992/116-501	771-8992/116-502	1
6 m	771-8992/116-601	771-8992/116-602	1
7 m	771-8992/116-701	771-8992/116-702	1
8 m	771-8992/116-801	771-8992/116-802	1

Connecting cable ▶ Plug - free end ▶ Strip length (outer insulation): 35 mm

Total length	Connector color / Strain relief color		PU
	black / black	white / white	
1 m	771-8992/216-101	771-8992/216-102	1
2 m	771-8992/216-201	771-8992/216-202	1
3 m	771-8992/216-301	771-8992/216-302	1
4 m	771-8992/216-401	771-8992/216-402	1
5 m	771-8992/216-501	771-8992/216-502	1
6 m	771-8992/216-601	771-8992/216-602	1
7 m	771-8992/216-701	771-8992/216-702	1
8 m	771-8992/216-801	771-8992/216-802	1

Accessories; for all products on this page



Locking lever; for flying leads; manually operated



Locking lever; for flying leads; tool operated



Mounting carrier; for flying leads; 2- to 5-pole

Color	Item No.	PU (SPU)
● black	770-101	100 (25)
○ white	770-121	100 (25)

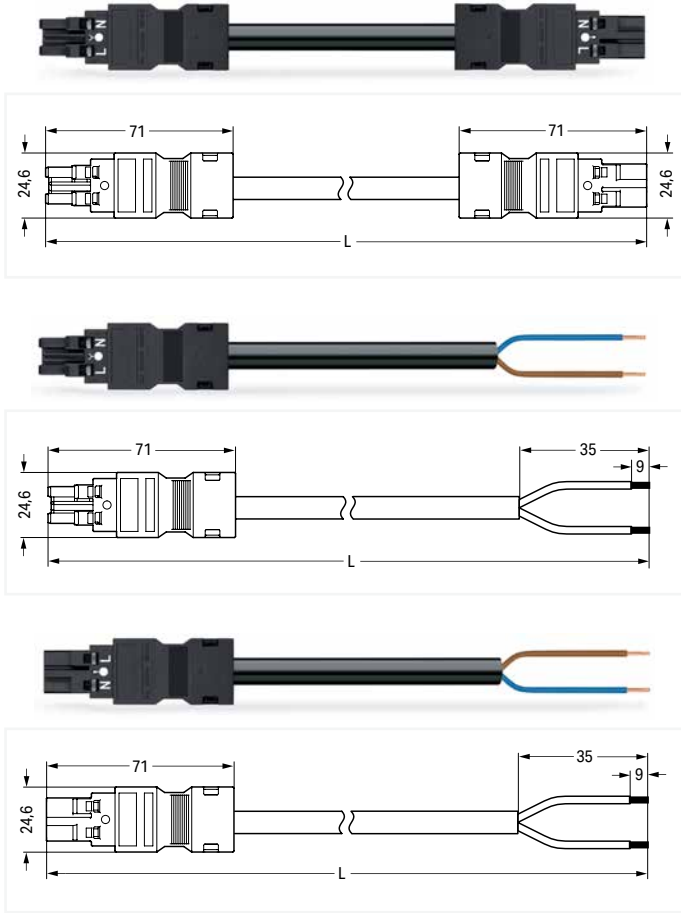
Color	Item No.	PU (SPU)
● black	770-111	100 (25)
○ white	770-131	100 (25)

Color	Item No.	PU
● black	770-310	25

PU = packaging unit; SPU = subpackaging unit; Dimensions in mm

Cable assembly ▶ WINSTA® MIDI ▶ 771 Series

Pole number: 2 ▶ Protection type: IP20 ▶ Fire class per EN 50575: E_{ca} ▶ Coding: A ▶ 2.5 mm² ▶ Marking: L N ▶ PVC ▶ H05VV-F 2x2.5 ▶ General mains applications



Interconnecting cable ▶ Socket - Plug

Total length	Connector color / Strain relief color		PU
	black / black	white / white	
1 m	771-8992/007-101	771-8992/007-102	1
2 m	771-8992/007-201	771-8992/007-202	1
3 m	771-8992/007-301	771-8992/007-302	1
4 m	771-8992/007-401	771-8992/007-402	1
5 m	771-8992/007-501	771-8992/007-502	1
6 m	771-8992/007-601	771-8992/007-602	1
7 m	771-8992/007-701	771-8992/007-702	1
8 m	771-8992/007-801	771-8992/007-802	1

Connecting cable ▶ Socket - free end ▶ Strip length (outer insulation): 35 mm




Total length	Connector color / Strain relief color		PU
	black / black	white / white	
1 m	771-8992/107-101	771-8992/107-102	1
2 m	771-8992/107-201	771-8992/107-202	1
3 m	771-8992/107-301	771-8992/107-302	1
4 m	771-8992/107-401	771-8992/107-402	1
5 m	771-8992/107-501	771-8992/107-502	1
6 m	771-8992/107-601	771-8992/107-602	1
7 m	771-8992/107-701	771-8992/107-702	1
8 m	771-8992/107-801	771-8992/107-802	1

Connecting cable ▶ Plug - free end ▶ Strip length (outer insulation): 35 mm

Total length	Connector color / Strain relief color		PU
	black / black	white / white	
1 m	771-8992/207-101	771-8992/207-102	1
2 m	771-8992/207-201	771-8992/207-202	1
3 m	771-8992/207-301	771-8992/207-302	1
4 m	771-8992/207-401	771-8992/207-402	1
5 m	771-8992/207-501	771-8992/207-502	1
6 m	771-8992/207-601	771-8992/207-602	1
7 m	771-8992/207-701	771-8992/207-702	1
8 m	771-8992/207-801	771-8992/207-802	1

2

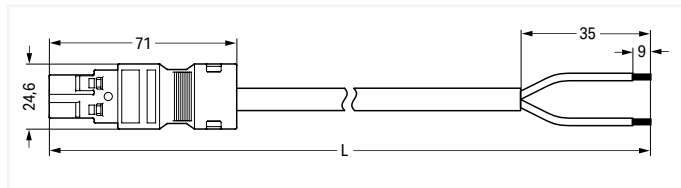
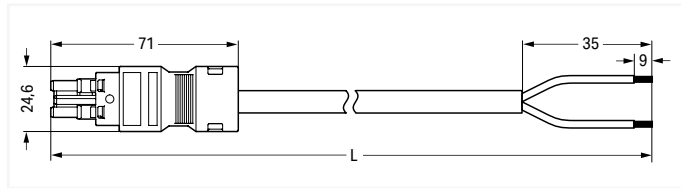
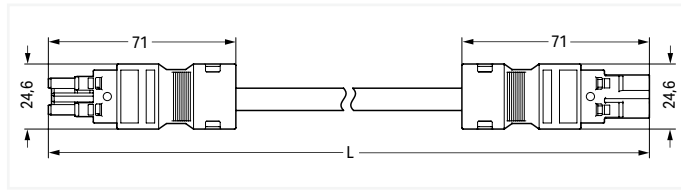
Accessories; for all products on this page

 Locking lever; for flying leads; manually operated			 Locking lever; for flying leads; tool operated			 Mounting carrier; for flying leads; 2- to 5-pole		
Color	Item No.	PU (SPU)	Color	Item No.	PU (SPU)	Color	Item No.	PU
● black	770-101	100 (25)	● black	770-111	100 (25)	● black	770-310	25
○ white	770-121	100 (25)	○ white	770-131	100 (25)			

PU = packaging unit; SPU = subpackaging unit; Dimensions in mm

Cable assembly ▶ WINSTA® MIDI ▶ 771 Series

Pole number: 2 ▶ Protection type: IP20 ▶ Fire class per EN 50575: E_{ca} ▶ Coding: A ▶ 2.5 mm² ▶ Marking: L N ▶ Halogen-free ▶ H05Z1Z1-F 2x2.5 ▶ General mains applications



Interconnecting cable ▶ Socket - Plug

Total length	Connector color / Strain relief color		PU
	black / black	white / white	
1 m	771-8992/017-101	771-8992/017-102	1
2 m	771-8992/017-201	771-8992/017-202	1
3 m	771-8992/017-301	771-8992/017-302	1
4 m	771-8992/017-401	771-8992/017-402	1
5 m	771-8992/017-501	771-8992/017-502	1
6 m	771-8992/017-601	771-8992/017-602	1
7 m	771-8992/017-701	771-8992/017-702	1
8 m	771-8992/017-801	771-8992/017-802	1

Connecting cable ▶ Socket - free end ▶ Strip length (outer insulation): 35 mm

Total length	Connector color / Strain relief color		PU
	black / black	white / white	
1 m	771-8992/117-101	771-8992/117-102	1
2 m	771-8992/117-201	771-8992/117-202	1
3 m	771-8992/117-301	771-8992/117-302	1
4 m	771-8992/117-401	771-8992/117-402	1
5 m	771-8992/117-501	771-8992/117-502	1
6 m	771-8992/117-601	771-8992/117-602	1
7 m	771-8992/117-701	771-8992/117-702	1
8 m	771-8992/117-801	771-8992/117-802	1

Connecting cable ▶ Plug - free end ▶ Strip length (outer insulation): 35 mm

Total length	Connector color / Strain relief color		PU
	black / black	white / white	
1 m	771-8992/217-101	771-8992/217-102	1
2 m	771-8992/217-201	771-8992/217-202	1
3 m	771-8992/217-301	771-8992/217-302	1
4 m	771-8992/217-401	771-8992/217-402	1
5 m	771-8992/217-501	771-8992/217-502	1
6 m	771-8992/217-601	771-8992/217-602	1
7 m	771-8992/217-701	771-8992/217-702	1
8 m	771-8992/217-801	771-8992/217-802	1

Accessories; for all products on this page



Locking lever; for flying leads; manually operated



Locking lever; for flying leads; tool operated



Mounting carrier; for flying leads; 2- to 5-pole

Color	Item No.	PU (SPU)
● black	770-101	100 (25)
○ white	770-121	100 (25)

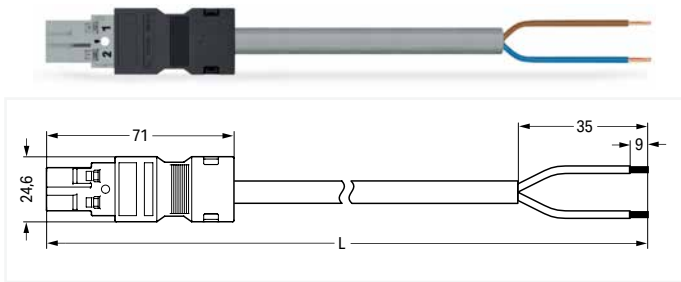
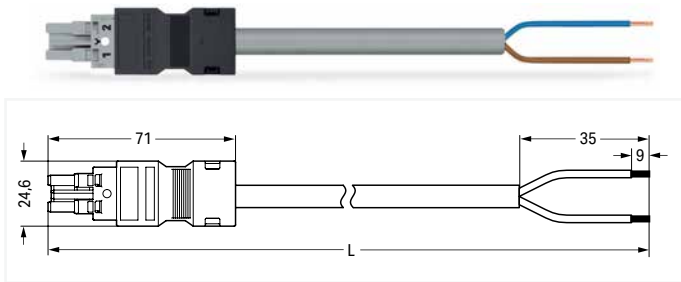
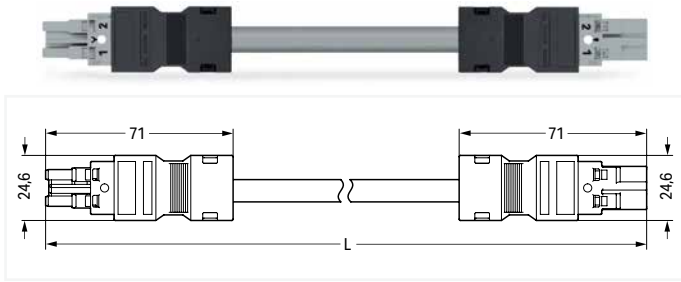
Color	Item No.	PU (SPU)
● black	770-111	100 (25)
○ white	770-131	100 (25)

Color	Item No.	PU
● black	770-310	25

PU = packaging unit; SPU = subpackaging unit; Dimensions in mm

Cable assembly ▶ WINSTA® MIDI ▶ 771 Series

Pole number: 2 ▶ Protection type: IP20 ▶ Fire class per EN 50575: E_{ca} ▶ Coding: B ▶ 1 mm² ▶ Marking: 1 2 ▶ PVC ▶ Control line 2x1 ▶ Control technology



Interconnecting cable ▶ Socket - Plug				
Total length	Connector color / Strain relief color			PU
	gray / black	light green / black	pink / black	
1 m	771-8992/005-103	771-8992/005-105	771-8992/005-107	1
2 m	771-8992/005-203	771-8992/005-205	771-8992/005-207	1
3 m	771-8992/005-303	771-8992/005-305	771-8992/005-307	1
4 m	771-8992/005-403	771-8992/005-405	771-8992/005-407	1
5 m	771-8992/005-503	771-8992/005-505	771-8992/005-507	1
6 m	771-8992/005-603	771-8992/005-605	771-8992/005-607	1
7 m	771-8992/005-703	771-8992/005-705	771-8992/005-707	1
8 m	771-8992/005-803	771-8992/005-805	771-8992/005-807	1

Connecting cable ▶ Socket - free end ▶ Strip length (outer insulation): 35 mm				
Total length	Connector color / Strain relief color			PU
	gray / black	light green / black	pink / black	
1 m	771-8992/105-103	771-8992/105-105	771-8992/105-107	1
2 m	771-8992/105-203	771-8992/105-205	771-8992/105-207	1
3 m	771-8992/105-303	771-8992/105-305	771-8992/105-307	1
4 m	771-8992/105-403	771-8992/105-405	771-8992/105-407	1
5 m	771-8992/105-503	771-8992/105-505	771-8992/105-507	1
6 m	771-8992/105-603	771-8992/105-605	771-8992/105-607	1
7 m	771-8992/105-703	771-8992/105-705	771-8992/105-707	1
8 m	771-8992/105-803	771-8992/105-805	771-8992/105-807	1

Connecting cable ▶ Plug - free end ▶ Strip length (outer insulation): 35 mm				
Total length	Connector color / Strain relief color			PU
	gray / black	light green / black	pink / black	
1 m	771-8992/205-103	771-8992/205-105	771-8992/205-107	1
2 m	771-8992/205-203	771-8992/205-205	771-8992/205-207	1
3 m	771-8992/205-303	771-8992/205-305	771-8992/205-307	1
4 m	771-8992/205-403	771-8992/205-405	771-8992/205-407	1
5 m	771-8992/205-503	771-8992/205-505	771-8992/205-507	1
6 m	771-8992/205-603	771-8992/205-605	771-8992/205-607	1
7 m	771-8992/205-703	771-8992/205-705	771-8992/205-707	1
8 m	771-8992/205-803	771-8992/205-805	771-8992/205-807	1

2

Accessories; for all products on this page



Locking lever; for flying leads; manually operated



Locking lever; for flying leads; tool operated



Mounting carrier; for flying leads; 2- to 5-pole

Color	Item No.	PU (SPU)
● black	770-101	100 (25)
○ white	770-121	100 (25)

Color	Item No.	PU (SPU)
● black	770-111	100 (25)
○ white	770-131	100 (25)

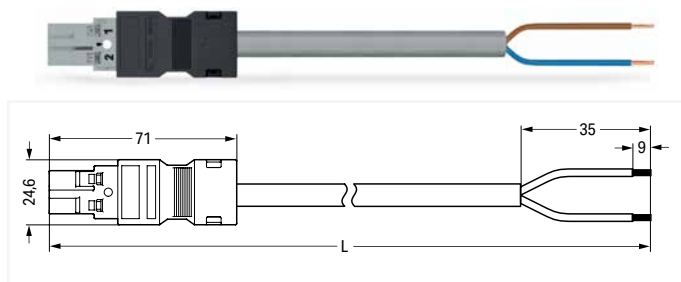
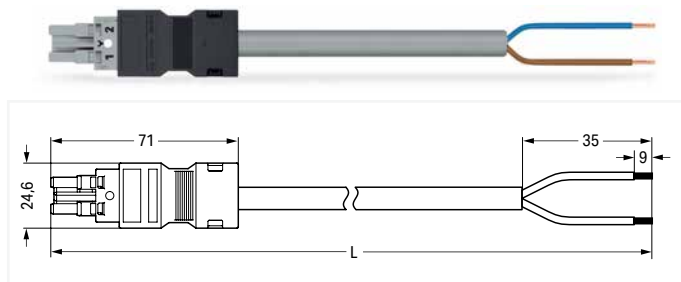
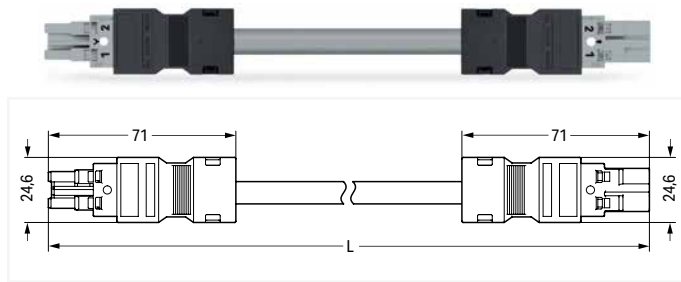
Color	Item No.	PU
● black	770-310	25

PU = packaging unit; SPU = subpackaging unit; Dimensions in mm

Cable assembly ▶ WINSTA® MIDI ▶ 771 Series

Pole number: 2 ▶ Protection type: IP20 ▶ Fire class per EN 50575: E_{ca} ▶ Coding: B ▶ 1.5 mm² ▶

Marking: 1 2 ▶ PVC ▶ Control line 2x1.5 ▶ Control technology






Interconnecting cable ▶ Socket - Plug				
Total length	Connector color / Strain relief color			PU
	gray / black	light green / black	pink / black	
1 m	771-8992/006-103	771-8992/006-105	771-8992/006-107	1
2 m	771-8992/006-203	771-8992/006-205	771-8992/006-207	1
3 m	771-8992/006-303	771-8992/006-305	771-8992/006-307	1
4 m	771-8992/006-403	771-8992/006-405	771-8992/006-407	1
5 m	771-8992/006-503	771-8992/006-505	771-8992/006-507	1
6 m	771-8992/006-603	771-8992/006-605	771-8992/006-607	1
7 m	771-8992/006-703	771-8992/006-705	771-8992/006-707	1
8 m	771-8992/006-803	771-8992/006-805	771-8992/006-807	1

Connecting cable ▶ Socket - free end ▶ Strip length (outer insulation): 35 mm				
Total length	Connector color / Strain relief color			PU
	gray / black	light green / black	pink / black	
1 m	771-8992/106-103	771-8992/106-105	771-8992/106-107	1
2 m	771-8992/106-203	771-8992/106-205	771-8992/106-207	1
3 m	771-8992/106-303	771-8992/106-305	771-8992/106-307	1
4 m	771-8992/106-403	771-8992/106-405	771-8992/106-407	1
5 m	771-8992/106-503	771-8992/106-505	771-8992/106-507	1
6 m	771-8992/106-603	771-8992/106-605	771-8992/106-607	1
7 m	771-8992/106-703	771-8992/106-705	771-8992/106-707	1
8 m	771-8992/106-803	771-8992/106-805	771-8992/106-807	1

Connecting cable ▶ Plug - free end ▶ Strip length (outer insulation): 35 mm				
Total length	Connector color / Strain relief color			PU
	gray / black	light green / black	pink / black	
1 m	771-8992/206-103	771-8992/206-105	771-8992/206-107	1
2 m	771-8992/206-203	771-8992/206-205	771-8992/206-207	1
3 m	771-8992/206-303	771-8992/206-305	771-8992/206-307	1
4 m	771-8992/206-403	771-8992/206-405	771-8992/206-407	1
5 m	771-8992/206-503	771-8992/206-505	771-8992/206-507	1
6 m	771-8992/206-603	771-8992/206-605	771-8992/206-607	1
7 m	771-8992/206-703	771-8992/206-705	771-8992/206-707	1
8 m	771-8992/206-803	771-8992/206-805	771-8992/206-807	1

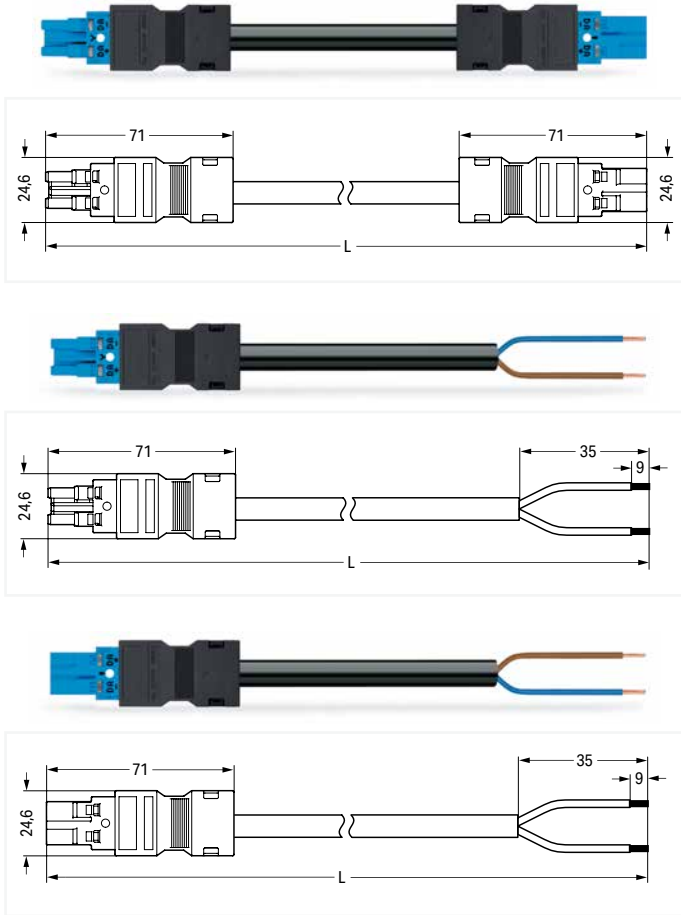
Accessories; for all products on this page

 Locking lever; for flying leads; manually operated			 Locking lever; for flying leads; tool operated			 Mounting carrier; for flying leads; 2- to 5-pole		
Color	Item No.	PU (SPU)	Color	Item No.	PU (SPU)	Color	Item No.	PU
● black	770-101	100 (25)	● black	770-111	100 (25)	● black	770-310	25
○ white	770-121	100 (25)	○ white	770-131	100 (25)			

PU = packaging unit; SPU = subpackaging unit; Dimensions in mm

Cable assembly ▶ WINSTA® MIDI ▶ 771 Series

Pole number: 2 ▶ Protection type: IP20 ▶ Fire class per EN 50575: E_{ca} ▶ Coding: I ▶ 1.5 mm² ▶ Marking: DA+ DA- ▶ PVC ▶ H05VV-F 2x1.5 ▶ DALI, Lighting Management



Interconnecting cable ▶ Socket - Plug

Total length	Connector color / Strain relief color		PU
	blue / black	blue / white	
1 m	771-8982/006-101	771-8982/006-102	1
2 m	771-8982/006-201	771-8982/006-202	1
3 m	771-8982/006-301	771-8982/006-302	1
4 m	771-8982/006-401	771-8982/006-402	1
5 m	771-8982/006-501	771-8982/006-502	1
6 m	771-8982/006-601	771-8982/006-602	1
7 m	771-8982/006-701	771-8982/006-702	1
8 m	771-8982/006-801	771-8982/006-802	1

Connecting cable ▶ Socket - free end ▶ Strip length (outer insulation): 35 mm




Total length	Connector color / Strain relief color		PU
	blue / black	blue / white	
1 m	771-8982/106-101	771-8982/106-102	1
2 m	771-8982/106-201	771-8982/106-202	1
3 m	771-8982/106-301	771-8982/106-302	1
4 m	771-8982/106-401	771-8982/106-402	1
5 m	771-8982/106-501	771-8982/106-502	1
6 m	771-8982/106-601	771-8982/106-602	1
7 m	771-8982/106-701	771-8982/106-702	1
8 m	771-8982/106-801	771-8982/106-802	1

Connecting cable ▶ Plug - free end ▶ Strip length (outer insulation): 35 mm

Total length	Connector color / Strain relief color		PU
	blue / black	blue / white	
1 m	771-8982/206-101	771-8982/206-102	1
2 m	771-8982/206-201	771-8982/206-202	1
3 m	771-8982/206-301	771-8982/206-302	1
4 m	771-8982/206-401	771-8982/206-402	1
5 m	771-8982/206-501	771-8982/206-502	1
6 m	771-8982/206-601	771-8982/206-602	1
7 m	771-8982/206-701	771-8982/206-702	1
8 m	771-8982/206-801	771-8982/206-802	1

2

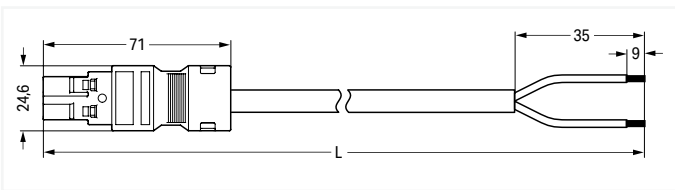
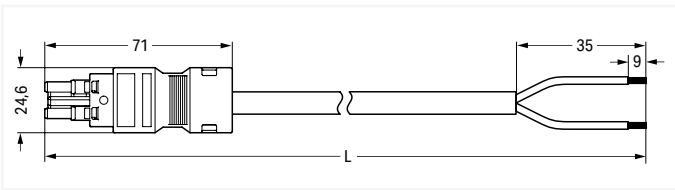
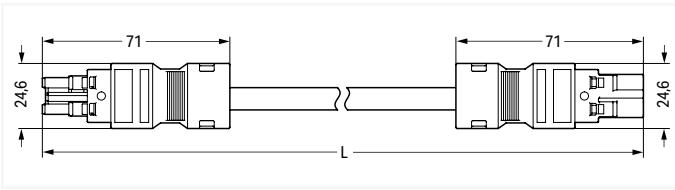
Accessories; for all products on this page

 Locking lever; for flying leads; manually operated			 Locking lever; for flying leads; tool operated			 Mounting carrier; for flying leads; 2- to 5-pole		
Color	Item No.	PU (SPU)	Color	Item No.	PU (SPU)	Color	Item No.	PU
● black	770-101	100 (25)	● black	770-111	100 (25)	● black	770-310	25
○ white	770-121	100 (25)	○ white	770-131	100 (25)			

PU = packaging unit; SPU = subpackaging unit; Dimensions in mm

Cable assembly ▶ WINSTA® MIDI ▶ 771 Series

Pole number: 2 ▶ Protection type: IP20 ▶ Fire class per EN 50575: E_{ca} ▶ Coding: I ▶ 1.5 mm² ▶ Marking: DA+ DA- ▶ Halogen-free ▶ H05Z1Z1-F 2x1.5 ▶ DALI, Lighting Management



Interconnecting cable ▶ Socket - Plug

Total length	Connector color / Strain relief color		PU
	blue / black	blue / white	
1 m	771-8982/016-101	771-8982/016-102	1
2 m	771-8982/016-201	771-8982/016-202	1
3 m	771-8982/016-301	771-8982/016-302	1
4 m	771-8982/016-401	771-8982/016-402	1
5 m	771-8982/016-501	771-8982/016-502	1
6 m	771-8982/016-601	771-8982/016-602	1
7 m	771-8982/016-701	771-8982/016-702	1
8 m	771-8982/016-801	771-8982/016-802	1

Connecting cable ▶ Socket - free end ▶ Strip length (outer insulation): 35 mm

Total length	Connector color / Strain relief color		PU
	blue / black	blue / white	
1 m	771-8982/116-101	771-8982/116-102	1
2 m	771-8982/116-201	771-8982/116-202	1
3 m	771-8982/116-301	771-8982/116-302	1
4 m	771-8982/116-401	771-8982/116-402	1
5 m	771-8982/116-501	771-8982/116-502	1
6 m	771-8982/116-601	771-8982/116-602	1
7 m	771-8982/116-701	771-8982/116-702	1
8 m	771-8982/116-801	771-8982/116-802	1

Connecting cable ▶ Plug - free end ▶ Strip length (outer insulation): 35 mm

Total length	Connector color / Strain relief color		PU
	blue / black	blue / white	
1 m	771-8982/216-101	771-8982/216-102	1
2 m	771-8982/216-201	771-8982/216-202	1
3 m	771-8982/216-301	771-8982/216-302	1
4 m	771-8982/216-401	771-8982/216-402	1
5 m	771-8982/216-501	771-8982/216-502	1
6 m	771-8982/216-601	771-8982/216-602	1
7 m	771-8982/216-701	771-8982/216-702	1
8 m	771-8982/216-801	771-8982/216-802	1

Accessories; for all products on this page



Locking lever; for flying leads; manually operated



Locking lever; for flying leads; tool operated



Mounting carrier; for flying leads; 2- to 5-pole

Color	Item No.	PU (SPU)
● black	770-101	100 (25)
○ white	770-121	100 (25)

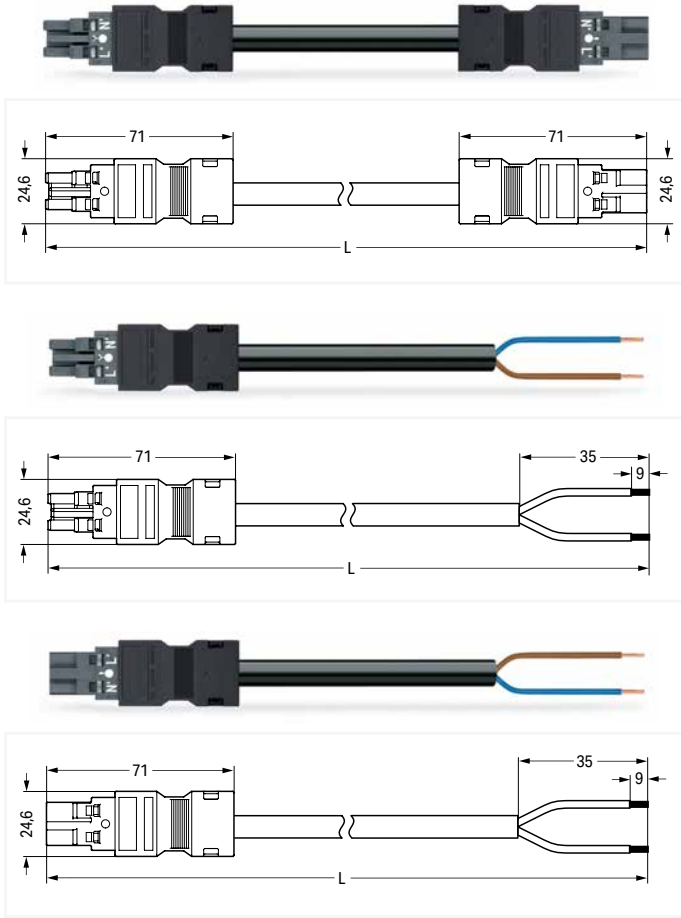
Color	Item No.	PU (SPU)
● black	770-111	100 (25)
○ white	770-131	100 (25)

Color	Item No.	PU
● black	770-310	25

PU = packaging unit; SPU = subpackaging unit; Dimensions in mm

Cable assembly ▶ WINSTA® MIDI ▶ 771 Series

Pole number: 2 ▶ Protection type: IP20 ▶ Fire class per EN 50575: E_{ca} ▶ Coding: L ▶ 1.5 mm² ▶ Marking: L' N' ▶ PVC ▶ H05VV-F 2x1.5 ▶ Emergency power supply



Interconnecting cable ▶ Socket - Plug			
Total length	Connector color / Strain relief color		PU
	dark gray / black	dark gray / white	
1 m	771-8982/006-103	771-8982/006-104	1
2 m	771-8982/006-203	771-8982/006-204	1
3 m	771-8982/006-303	771-8982/006-304	1
4 m	771-8982/006-403	771-8982/006-404	1
5 m	771-8982/006-503	771-8982/006-504	1
6 m	771-8982/006-603	771-8982/006-604	1
7 m	771-8982/006-703	771-8982/006-704	1
8 m	771-8982/006-803	771-8982/006-804	1

Connecting cable ▶ Socket - free end ▶ Strip length (outer insulation): 35 mm			
Total length	Connector color / Strain relief color		PU
	dark gray / black	dark gray / white	
1 m	771-8982/106-103	771-8982/106-104	1
2 m	771-8982/106-203	771-8982/106-204	1
3 m	771-8982/106-303	771-8982/106-304	1
4 m	771-8982/106-403	771-8982/106-404	1
5 m	771-8982/106-503	771-8982/106-504	1
6 m	771-8982/106-603	771-8982/106-604	1
7 m	771-8982/106-703	771-8982/106-704	1
8 m	771-8982/106-803	771-8982/106-804	1

Connecting cable ▶ Plug - free end ▶ Strip length (outer insulation): 35 mm			
Total length	Connector color / Strain relief color		PU
	dark gray / black	dark gray / white	
1 m	771-8982/206-103	771-8982/206-104	1
2 m	771-8982/206-203	771-8982/206-204	1
3 m	771-8982/206-303	771-8982/206-304	1
4 m	771-8982/206-403	771-8982/206-404	1
5 m	771-8982/206-503	771-8982/206-504	1
6 m	771-8982/206-603	771-8982/206-604	1
7 m	771-8982/206-703	771-8982/206-704	1
8 m	771-8982/206-803	771-8982/206-804	1

2

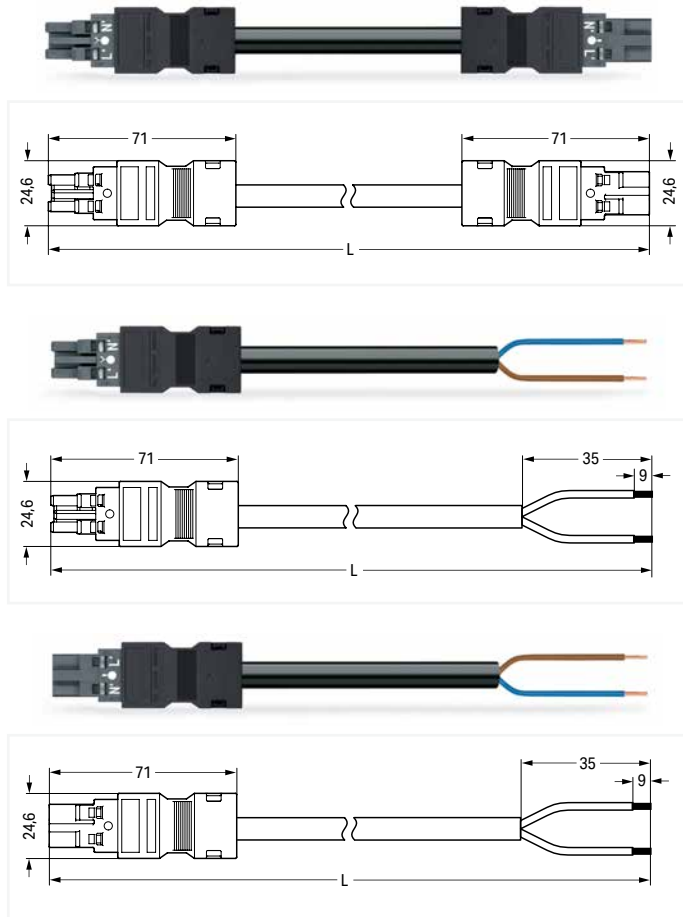
Accessories; for all products on this page

	Locking lever; for flying leads; manually operated		Locking lever; for flying leads; tool operated		Mounting carrier; for flying leads; 2- to 5-pole			
Color	Item No.	PU (SPU)	Color	Item No.	PU (SPU)	Color	Item No.	PU
● black	770-101	100 (25)	● black	770-111	100 (25)	● black	770-310	25
○ white	770-121	100 (25)	○ white	770-131	100 (25)			

PU = packaging unit; SPU = subpackaging unit; Dimensions in mm

Cable assembly ▶ WINSTA® MIDI ▶ 771 Series

Pole number: 2 ▶ Protection type: IP20 ▶ Fire class per EN 50575: E_{ca} ▶ Coding: L ▶ 1.5 mm² ▶ Marking: L' N' ▶ Halogen-free ▶ H05Z1Z1-F 2x1.5 ▶ Emergency power supply






Interconnecting cable ▶ Socket - Plug			
Total length	Connector color / Strain relief color		PU
	dark gray / black	dark gray / white	
1 m	771-8982/016-103	771-8982/016-104	1
2 m	771-8982/016-203	771-8982/016-204	1
3 m	771-8982/016-303	771-8982/016-304	1
4 m	771-8982/016-403	771-8982/016-404	1
5 m	771-8982/016-503	771-8982/016-504	1
6 m	771-8982/016-603	771-8982/016-604	1
7 m	771-8982/016-703	771-8982/016-704	1
8 m	771-8982/016-803	771-8982/016-804	1

Connecting cable ▶ Socket - free end ▶ Strip length (outer insulation): 35 mm			
Total length	Connector color / Strain relief color		PU
	dark gray / black	dark gray / white	
1 m	771-8982/116-103	771-8982/116-104	1
2 m	771-8982/116-203	771-8982/116-204	1
3 m	771-8982/116-303	771-8982/116-304	1
4 m	771-8982/116-403	771-8982/116-404	1
5 m	771-8982/116-503	771-8982/116-504	1
6 m	771-8982/116-603	771-8982/116-604	1
7 m	771-8982/116-703	771-8982/116-704	1
8 m	771-8982/116-803	771-8982/116-804	1

Connecting cable ▶ Plug - free end ▶ Strip length (outer insulation): 35 mm			
Total length	Connector color / Strain relief color		PU
	dark gray / black	dark gray / white	
1 m	771-8982/216-103	771-8982/216-104	1
2 m	771-8982/216-203	771-8982/216-204	1
3 m	771-8982/216-303	771-8982/216-304	1
4 m	771-8982/216-403	771-8982/216-404	1
5 m	771-8982/216-503	771-8982/216-504	1
6 m	771-8982/216-603	771-8982/216-604	1
7 m	771-8982/216-703	771-8982/216-704	1
8 m	771-8982/216-803	771-8982/216-804	1

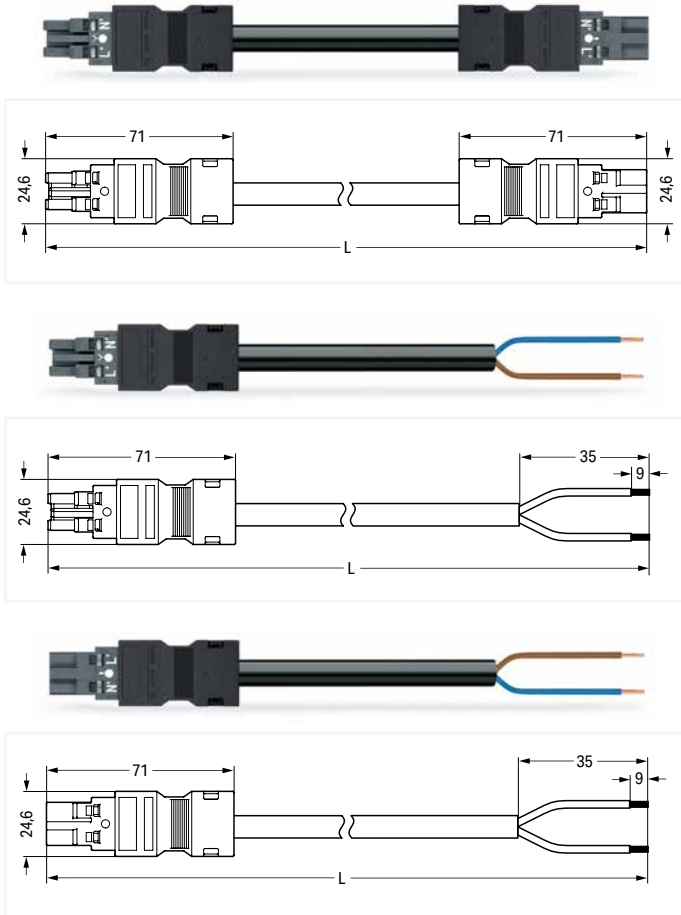
Accessories; for all products on this page

 Locking lever; for flying leads; manually operated			 Locking lever; for flying leads; tool operated			 Mounting carrier; for flying leads; 2- to 5-pole		
Color	Item No.	PU (SPU)	Color	Item No.	PU (SPU)	Color	Item No.	PU
● black	770-101	100 (25)	● black	770-111	100 (25)	● black	770-310	25
○ white	770-121	100 (25)	○ white	770-131	100 (25)			

PU = packaging unit; SPU = subpackaging unit; Dimensions in mm

Cable assembly ▶ WINSTA® MIDI ▶ 771 Series

Pole number: 2 ▶ Protection type: IP20 ▶ Fire class per EN 50575: E_{ca} ▶ Coding: L ▶ 2.5 mm² ▶ Marking: L' N' ▶ PVC ▶ H05VV-F 2x2.5 ▶ Emergency power supply






Interconnecting cable ▶ Socket - Plug			
Total length	Connector color / Strain relief color		PU
	dark gray / black	dark gray / white	
1 m	771-8982/007-103	771-8982/007-104	1
2 m	771-8982/007-203	771-8982/007-204	1
3 m	771-8982/007-303	771-8982/007-304	1
4 m	771-8982/007-403	771-8982/007-404	1
5 m	771-8982/007-503	771-8982/007-504	1
6 m	771-8982/007-603	771-8982/007-604	1
7 m	771-8982/007-703	771-8982/007-704	1
8 m	771-8982/007-803	771-8982/007-804	1

Connecting cable ▶ Socket - free end ▶ Strip length (outer insulation): 35 mm			
Total length	Connector color / Strain relief color		PU
	dark gray / black	dark gray / white	
1 m	771-8982/107-103	771-8982/107-104	1
2 m	771-8982/107-203	771-8982/107-204	1
3 m	771-8982/107-303	771-8982/107-304	1
4 m	771-8982/107-403	771-8982/107-404	1
5 m	771-8982/107-503	771-8982/107-504	1
6 m	771-8982/107-603	771-8982/107-604	1
7 m	771-8982/107-703	771-8982/107-704	1
8 m	771-8982/107-803	771-8982/107-804	1

Connecting cable ▶ Plug - free end ▶ Strip length (outer insulation): 35 mm			
Total length	Connector color / Strain relief color		PU
	dark gray / black	dark gray / white	
1 m	771-8982/207-103	771-8982/207-104	1
2 m	771-8982/207-203	771-8982/207-204	1
3 m	771-8982/207-303	771-8982/207-304	1
4 m	771-8982/207-403	771-8982/207-404	1
5 m	771-8982/207-503	771-8982/207-504	1
6 m	771-8982/207-603	771-8982/207-604	1
7 m	771-8982/207-703	771-8982/207-704	1
8 m	771-8982/207-803	771-8982/207-804	1

2

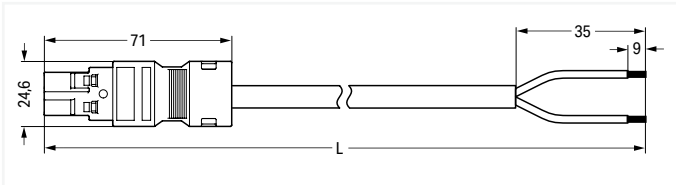
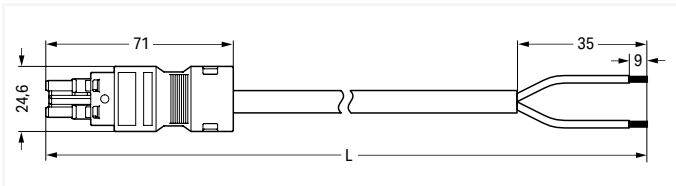
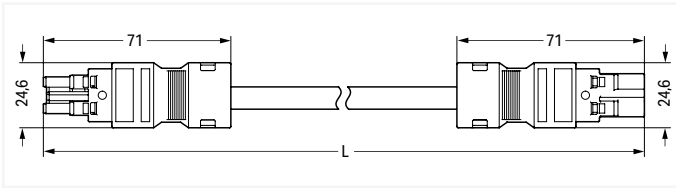
Accessories; for all products on this page

 Locking lever; for flying leads; manually operated			 Locking lever; for flying leads; tool operated			 Mounting carrier; for flying leads; 2- to 5-pole		
Color	Item No.	PU (SPU)	Color	Item No.	PU (SPU)	Color	Item No.	PU
● black	770-101	100 (25)	● black	770-111	100 (25)	● black	770-310	25
○ white	770-121	100 (25)	○ white	770-131	100 (25)			

PU = packaging unit; SPU = subpackaging unit; Dimensions in mm

Cable assembly ▶ WINSTA® MIDI ▶ 771 Series

Pole number: 2 ▶ Protection type: IP20 ▶ Fire class per EN 50575: E_{ca} ▶ Coding: L ▶ 2.5 mm² ▶ Marking: L' N' ▶ Halogen-free ▶ H05Z1Z1-F 2x2.5 ▶ Emergency power supply



Interconnecting cable ▶ Socket - Plug

Total length	Connector color / Strain relief color		PU
	dark gray / black	dark gray / white	
1 m	771-8982/017-103	771-8982/017-104	1
2 m	771-8982/017-203	771-8982/017-204	1
3 m	771-8982/017-303	771-8982/017-304	1
4 m	771-8982/017-403	771-8982/017-404	1
5 m	771-8982/017-503	771-8982/017-504	1
6 m	771-8982/017-603	771-8982/017-604	1
7 m	771-8982/017-703	771-8982/017-704	1
8 m	771-8982/017-803	771-8982/017-804	1

Connecting cable ▶ Socket - free end ▶ Strip length (outer insulation): 35 mm

Total length	Connector color / Strain relief color		PU
	dark gray / black	dark gray / white	
1 m	771-8982/117-103	771-8982/117-104	1
2 m	771-8982/117-203	771-8982/117-204	1
3 m	771-8982/117-303	771-8982/117-304	1
4 m	771-8982/117-403	771-8982/117-404	1
5 m	771-8982/117-503	771-8982/117-504	1
6 m	771-8982/117-603	771-8982/117-604	1
7 m	771-8982/117-703	771-8982/117-704	1
8 m	771-8982/117-803	771-8982/117-804	1

Connecting cable ▶ Plug - free end ▶ Strip length (outer insulation): 35 mm

Total length	Connector color / Strain relief color		PU
	dark gray / black	dark gray / white	
1 m	771-8982/217-103	771-8982/217-104	1
2 m	771-8982/217-203	771-8982/217-204	1
3 m	771-8982/217-303	771-8982/217-304	1
4 m	771-8982/217-403	771-8982/217-404	1
5 m	771-8982/217-503	771-8982/217-504	1
6 m	771-8982/217-603	771-8982/217-604	1
7 m	771-8982/217-703	771-8982/217-704	1
8 m	771-8982/217-803	771-8982/217-804	1

Accessories; for all products on this page



Locking lever; for flying leads; manually operated



Locking lever; for flying leads; tool operated



Mounting carrier; for flying leads; 2- to 5-pole

Color	Item No.	PU (SPU)
● black	770-101	100 (25)
○ white	770-121	100 (25)

Color	Item No.	PU (SPU)
● black	770-111	100 (25)
○ white	770-131	100 (25)

Color	Item No.	PU
● black	770-310	25

PU = packaging unit; SPU = subpackaging unit; Dimensions in mm

Pluggable connectors ▶ WINSTA® MIDI ▶ 770 Series

Pole number: 3 ▶ Number of connection points: 2



- Protected against mismatching and maintenance-free
- Push-in CAGE CLAMP® spring pressure connection technology allows solid conductors to be simply pushed into a unit.
- Two wire connections per pole for loops or bridges
- Additional variable coding is possible.

Electrical data			
Coding	A; B; P; R; S		
Ratings per	IEC/EN 60664-1		
Overvoltage category	III	III	II
Pollution degree	3	2	2
Nominal voltage	250 V	-	-
Rated surge voltage	4 kV	-	-
Rated current	25 A	-	-

Connection data	
Connection technology	Push-in CAGE CLAMP®
Strip length	9 mm / 0.35 inches
Nominal cross-section	4 mm ² / 12 AWG
Solid conductor	0.5 ... 4 mm ² / 20 ... 12 AWG
Solid conductor; push-in termination	1.5 ... 4 mm ² / 16 ... 12 AWG
Stranded conductor	0.5 ... 2.5 mm ² / 20 ... 14 AWG
Fine-stranded conductor	0.5 ... 4 mm ² / 20 ... 12 AWG
Fine-stranded conductor; with insulated ferrule	0.25 ... 1.5 mm ² / 20 ... 16 AWG
Fine-stranded conductor; with uninsulated ferrule	0.25 ... 2.5 mm ² / 20 ... 14 AWG
Fine-stranded conductor; with ferrule; push-in termination	1.5 mm ² / 16 AWG

Material data	
Insulation material (main housing)	Polyamide (PA66)
Clamping spring material	Chrome-nickel spring steel (CrNi)
Contact material	Copper or copper alloy; surface-treated
Contact Plating	Tin

Mechanical data	
Number of mating cycles	200, without resistive load
Mating force of a plug-in connection	approx. 20 ... 70 N (depending on pole number)
Unmating force of a plug-in connection	Unlocked: approx. 20 ... 70 N (depending on pole number)
Retention force of a plug-in connection	Locked: > 80 N

Environmental requirements	
Processing temperature	-5 ... +40 °C
Continuous operating temperature	-35 ... +85 °C
Note on continuous operating temperature	Insulating parts for temperatures ≤ 105 °C

Note:

All WINSTA® components are 100% protected against mismatching when:

- plugging different numbers of poles
- plugging while rotated 180
- plugging while laterally staggered
- plugging one pole

All connectors for mounted installations (snap-in versions for lighting fixtures or devices, all types of PCB and distribution connectors) are factory-equipped with locking levers to ensure plugs and sockets are securely locked. Additional locking levers are only required for flying leads (plug/socket).

Coding	Page 373
Installation	Page 384
Marking	Page 399
Shield termination	Page 377
Strain relief	Page 378
Tool	Page 394
See technical section for further information	
Approvals and corresponding ratings, visit www.wago.com	

Pluggable connectors ▶ WINSTA® MIDI ▶ 770 Series

Pole number: 3 ▶ Number of connection points: 2

Female connector/socket ▶ Strain relief house, for quick assembly ▶ Strip length (outer insulation): 48 mm ▶ Connectable sheathed cable diameter: 7 ... 11.5 mm

Male connector/plug ▶ Strain relief house, for quick assembly ▶ Strip length (outer insulation): 48 mm ▶ Connectable sheathed cable diameter: 7 ... 11.5 mm



770-203/035-000

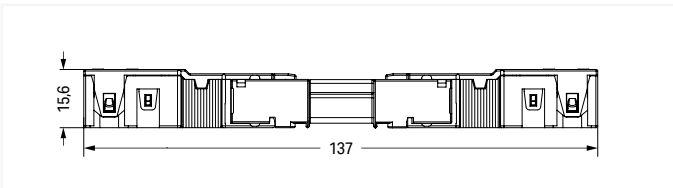
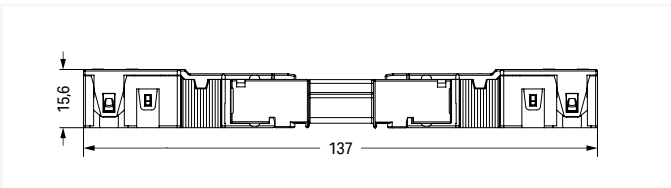
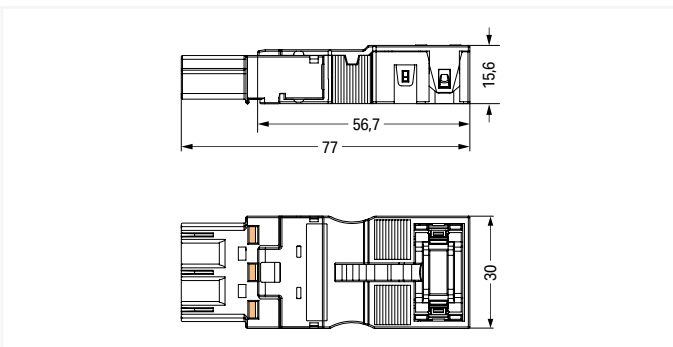
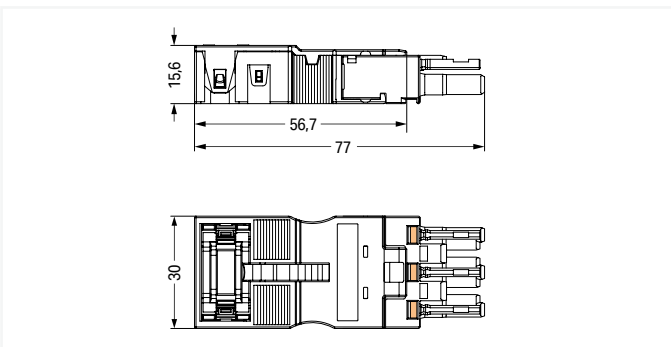
770-213/035-000

General mains applications

Color	Coding	Marking	Item No.	PU
● black	A	L ⊕ N	770-203/035-000	25
○ white	A	L ⊕ N	770-223/035-050	25

General mains applications

Color	Coding	Marking	Item No.	PU
● black	A	N ⊕ L	770-213/035-000	25
○ white	A	N ⊕ L	770-233/035-050	25



Overall length when mated

Overall length when mated

Item-Specific Accessories

Item-Specific Accessories



Lockout cap; for socket; separable; Pole number: 12

Color	Item No.	PU
● black	770-201	100
○ white	770-221	100



Lockout cap; for plugs; separable; Pole number: 5

Color	Item No.	PU
● yellow	770-360	100

Accessories; for all products on this page



Locking lever; for flying leads; manually operated

Color	Item No.	PU (SPU)
● black	770-101	100 (25)
○ white	770-121	100 (25)



Locking lever; for flying leads; tool operated

Color	Item No.	PU (SPU)
● black	770-111	100 (25)
○ white	770-131	100 (25)



Operating tool; 3 -times

Color	Item No.	PU (SPU)
● green	770-383	50 (1)

PU = packaging unit; SPU = subpackaging unit; Dimensions in mm

Pluggable connectors ▶ WINSTA® MIDI ▶ 770 Series

Pole number: 3 ▶ Number of connection points: 2

Female connector/socket ▶ Strain relief housing ▶ Strip length (outer insulation): 55 mm ▶ Connectable sheathed cable diameter: 8 ... 11.5 mm ▶ Protection type: IP2XC

Male connector/plug ▶ Strain relief housing ▶ Strip length (outer insulation): 55 mm ▶ Connectable sheathed cable diameter: 8 ... 11.5 mm ▶ Protection type: IP20



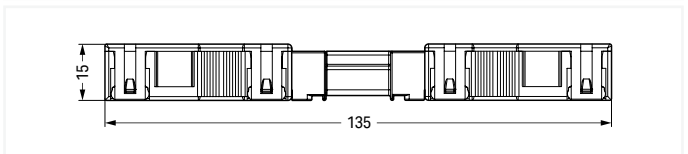
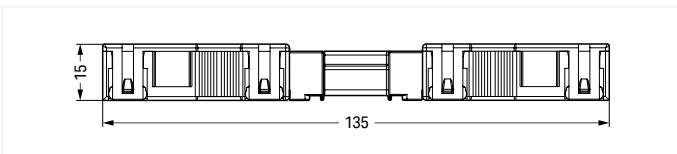
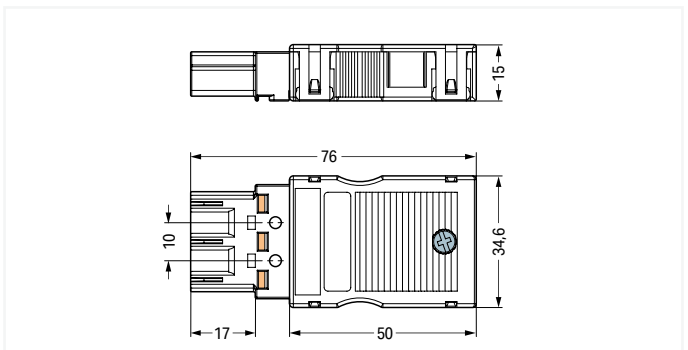
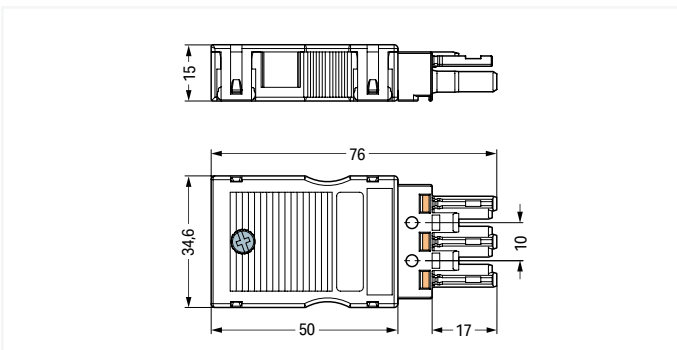
2

770-103

770-113

General mains applications				
Color	Coding	Marking	Item No.	PU
● black	A	L ⊕ N	770-103	25
○ white	A	L ⊕ N	770-123	25

General mains applications				
Color	Coding	Marking	Item No.	PU
● black	A	N ⊕ L	770-113	25
○ white	A	N ⊕ L	770-133	25



Overall length when mated

Overall length when mated

Item-Specific Accessories

Item-Specific Accessories



Lockout cap; for socket; separable; Pole number: 12



Lockout cap; for plugs; separable; Pole number: 5

Color	Item No.	PU
● black	770-201	100
○ white	770-221	100

Color	Item No.	PU
● yellow	770-360	100

Accessories; for all products on this page



Locking lever; for flying leads; manually operated



Locking lever; for flying leads; tool operated



Operating tool; 3 -times

Color	Item No.	PU (SPU)
● black	770-101	100 (25)
○ white	770-121	100 (25)

Color	Item No.	PU (SPU)
● black	770-111	100 (25)
○ white	770-131	100 (25)

Color	Item No.	PU (SPU)
● green	770-383	50 (1)

PU = packaging unit; SPU = subpackaging unit; Dimensions in mm

Pluggable connectors ► WINSTA® MIDI ► 770 Series

Pole number: 3 ► Number of connection points: 2

Female connector/socket ► Protection type: IP20



General mains applications

Color	Coding	Marking	Item No.	PU
● black	A	L ⊕ N	770-203	100
○ white	A	L ⊕ N	770-223	100

Control technology

Color	Coding	Marking	Item No.	PU
○ gray	B	1 2 3	770-243	100
○ gray	B	L ⊕ N	770-243/060-000	100
○ gray	B	2 PE 1	770-243/062-000	100
○ gray	B	1 2 5	770-243/081-000	100
● light green	B	1 2 3	770-263	100
● light green	B	U+ X/Y U-	770-263/071-000	100
● light green	B	1 ⊕ 2	770-263/073-000	100
● pink	B	1 2 3	770-283	100
● pink	B	1 2 5	770-283/081-000	100
● pink	B	+ S -	770-283/082-000	100

EDV (UPS)

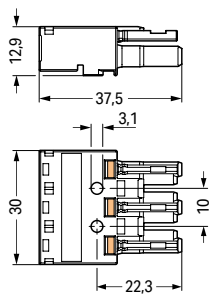
Color	Coding	Marking	Item No.	PU
● red	P	L ⊕ N	770-1303	100

LON bus

Color	Coding	Marking	Item No.	PU
● orange	R	LON LON S	770-1343	100

Switching function

Color	Coding	Marking	Item No.	PU
● brown	S	1 2 L	770-1363	100



Accessories; for all products on this page

Locking lever; for flying leads; manually operated		
Color	Item No.	PU (SPU)
● black	770-101	100 (25)
○ white	770-121	100 (25)

Locking lever; for flying leads; tool operated		
Color	Item No.	PU (SPU)
● black	770-111	100 (25)
○ white	770-131	100 (25)

Strain relief housing; Connectable sheathed cable diameter: 8 ... 11.5 mm; Strip length (outer insulation): 55 mm		
Color	Item No.	PU
● black	770-503	50
○ white	770-513	50

Operating tool; 3 -times		
Color	Item No.	PU (SPU)
● green	770-383	50 (1)

Lockout cap; for socket; separable; Pole number: 12		
Color	Item No.	PU
● black	770-201	100
○ white	770-221	100

PU = packaging unit; SPU = subpackaging unit; Dimensions in mm

Pluggable connectors ▶ WINSTA® MIDI ▶ 770 Series

Pole number: 3 ▶ Number of connection points: 2

Male connector/plug ▶ Protection type: IP20



2

General mains applications

Color	Coding	Marking	Item No.	PU
● black	A	N ⊕ L	770-213	100
○ white	A	N ⊕ L	770-233	100

Control technology

Color	Coding	Marking	Item No.	PU
○ gray	B	3 2 1	770-253	100
○ gray	B	N ⊕ L	770-253/060-000	100
○ gray	B	1 PE 2	770-253/062-000	100
○ gray	B	5 2 1	770-253/081-000	100
● light green	B	3 2 1	770-273	100
● light green	B	U- X/Y U+	770-273/071-000	100
● light green	B	2 ⊕ 1	770-273/073-000	100
● pink	B	3 2 1	770-293	100
● pink	B	5 2 1	770-293/081-000	100
● pink	B	- S +	770-293/082-000	100

EDV (UPS)

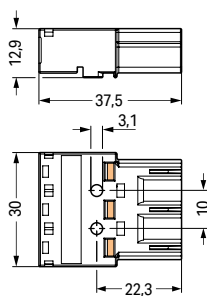
Color	Coding	Marking	Item No.	PU
● red	P	N ⊕ L	770-1313	100

LON bus

Color	Coding	Marking	Item No.	PU
● orange	R	S LON LON	770-1353	100

Switching function

Color	Coding	Marking	Item No.	PU
● brown	S	L 2 1	770-1373	100



Accessories; for all products on this page



Locking lever; for flying leads; manually operated

Color	Item No.	PU (SPU)
● black	770-101	100 (25)
○ white	770-121	100 (25)



Locking lever; for flying leads; tool operated

Color	Item No.	PU (SPU)
● black	770-111	100 (25)
○ white	770-131	100 (25)



Operating tool; 3-times

Color	Item No.	PU (SPU)
● green	770-383	50 (1)



Strain relief housing; Connectable sheathed cable diameter: 8 ... 11.5 mm; Strip length (outer insulation): 55 mm

Color	Item No.	PU
● black	770-503	50
○ white	770-513	50



Lockout cap; for plugs; separable; Pole number: 5

Color	Item No.	PU
● yellow	770-360	100

PU = packaging unit; SPU = subpackaging unit; Dimensions in mm

Pluggable connectors ► WINSTA® MIDI ► 770 Series

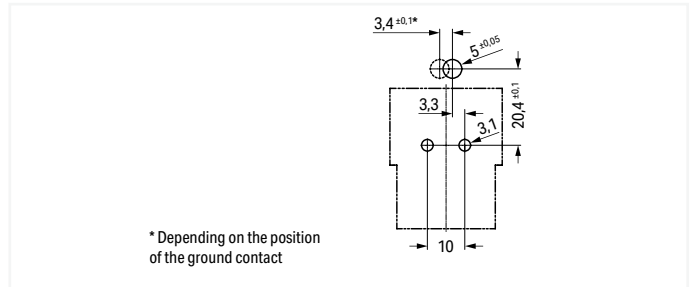
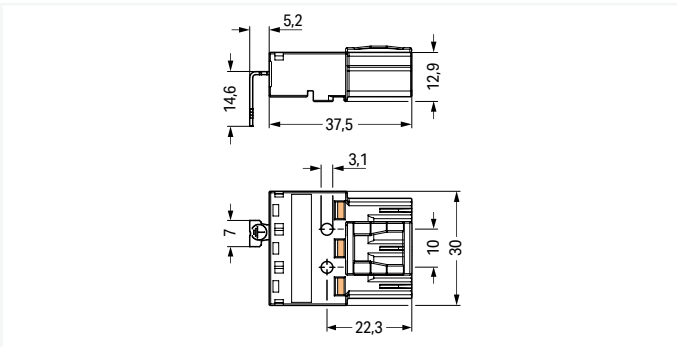
Pole number: 3 ► Number of connection points: 2

Male connector/plug ► with direct ground contact ► Protection type: IP20




General mains applications

Color	Coding	Marking	Item No.	PU
● black	A	N ⊕ L	770-213/002-000	100
○ white	A	N ⊕ L	770-233/002-000	100




2


Accessories; for all products on this page



Locking lever; for flying leads; manually operated



Locking lever; for flying leads; tool operated



Lockout cap; for plugs; separable; Pole number: 5

Color	Item No.	PU (SPU)
● black	770-101	100 (25)
○ white	770-121	100 (25)

Color	Item No.	PU (SPU)
● black	770-111	100 (25)
○ white	770-131	100 (25)

Color	Item No.	PU
● yellow	770-360	100

PU = packaging unit; SPU = subpackaging unit; Dimensions in mm

Snap-in device connector ▶ WINSTA® MIDI ▶ 770 Series

Pole number: 3 ▶ Number of connection points: 2 ▶ Protection type: IP20



- Protected against mismatching and maintenance-free
- Push-in CAGE CLAMP® spring pressure connection technology allows solid conductors to be simply pushed into a unit.
- Two wire connections per pole for loops or bridges
- Additional variable coding is possible.

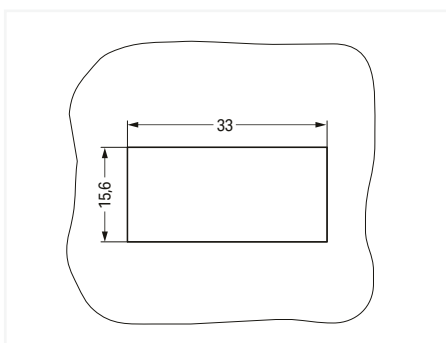


Plate thickness: 0.5 ... 2 mm
Cutout tolerance: + 0.1 mm

Please note!

Note:

The snap-in connectors must be relieved of tensile and transverse forces.

A surface finish can influence the edge radius of the cutouts. This may affect the snap-in socket fit, so ensure an adequate fit before use. In addition, the punched edge should be on the inside for punched cutouts.

The wings of the snap-in connectors must not be mechanically stressed for a long period before use (e.g., due to a pre-locking position).

All WINSTA® components are 100% protected against mismatching when:

- plugging different numbers of poles
- plugging while rotated 180
- plugging while laterally staggered
- plugging one pole

All connectors for mounted installations (snap-in versions for lighting fixtures or devices, all types of PCB and distribution connectors) are factory-equipped with locking levers to ensure plugs and sockets are securely locked. Additional locking levers are only required for flying leads (plug/socket).

Coding Page 373

Locking system Page 149

Tool Page 394

See technical section for further information

Approvals and corresponding ratings, visit www.wago.com

Electrical data			
Coding	A; B; P; R; S		
Ratings per	IEC/EN 60664-1		
Overvoltage category	III	III	II
Pollution degree	3	2	2
Nominal voltage	250 V	-	-
Rated surge voltage	4 kV	-	-
Rated current	25 A	-	-

Connection data	
Connection technology	Push-in CAGE CLAMP®
Strip length	9 mm / 0.35 inches
Nominal cross-section	4 mm ² / 12 AWG
Solid conductor	0.5 ... 4 mm ² / 20 ... 12 AWG
Solid conductor; push-in termination	1.5 ... 4 mm ² / 16 ... 12 AWG
Stranded conductor	0.5 ... 2.5 mm ² / 20 ... 14 AWG
Fine-stranded conductor	0.5 ... 4 mm ² / 20 ... 12 AWG
Fine-stranded conductor; with insulated ferrule	0.25 ... 1.5 mm ² / 20 ... 16 AWG
Fine-stranded conductor; with uninsulated ferrule	0.25 ... 2.5 mm ² / 20 ... 14 AWG
Fine-stranded conductor; with ferrule; push-in termination	1.5 mm ² / 16 AWG

Material data	
Insulation material (main housing)	Polyamide (PA66)
Flammability class per UL94	V0
Clamping spring material	Chrome-nickel spring steel (CrNi)
Contact material	Copper or copper alloy; surface-treated
Contact Plating	Tin

Mechanical data	
Number of mating cycles	200, without resistive load
Mating force of a plug-in connection	approx. 20 ... 70 N (depending on pole number)
Unmating force of a plug-in connection	Unlocked: approx. 20 ... 70 N (depending on pole number)
Retention force of a plug-in connection	Locked: > 80 N
Protection type	IP20
Note on protection type	When mated: IP2xC (These compact connectors are not designed for use in open, easily accessible areas!)

Environmental requirements	
Processing temperature	-5 ... +40 °C
Continuous operating temperature	-35 ... +85 °C
Note on continuous operating temperature	Insulating parts for temperatures ≤ 105 °C

Snap-in device connector ▶ WINSTA® MIDI ▶ 770 Series

Pole number: 3 ▶ Number of connection points: 2 ▶ Protection type: IP20

Female connector/socket



770-703

General mains applications

Color	Coding	Marking	Item No.	PU
● black	A	L ⊕ N	770-703	100
○ white	A	L ⊕ N	770-723	100

Control technology

Color	Coding	Marking	Item No.	PU
○ gray	B	1 2 3	770-743	100
○ gray	B	L ⊕ N	770-743/060-000	100
○ gray	B	2 PE 1	770-743/062-000	100
● light green	B	1 2 3	770-763	100
● light green	B	U+ X/Y U-	770-763/071-000	100
● light green	B	1 ⊕ 2	770-763/073-000	100
● pink	B	I+ I-	770-783/081-000	100
● pink	B	1 2 3	770-783	100
● pink	B	+ S -	770-783/082-000	100

EDV (UPS)

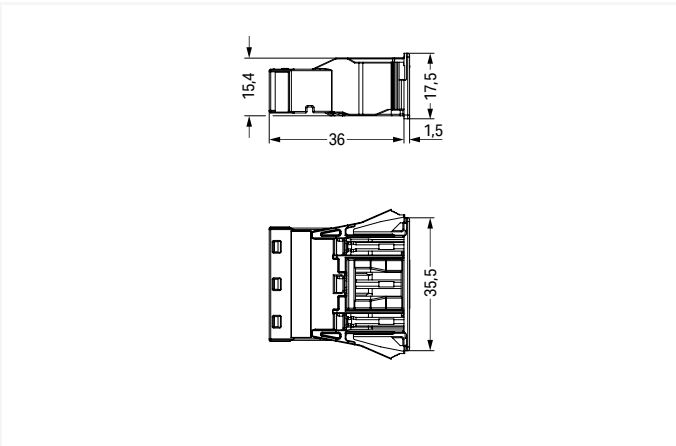
Color	Coding	Marking	Item No.	PU
● red	P	L ⊕ N	770-2303	100

LON bus

Color	Coding	Marking	Item No.	PU
● orange	R	LON LON S	770-2343	100

Switching function

Color	Coding	Marking	Item No.	PU
● brown	S	1 2 L	770-2363	100



Accessories; for all products on this page



Operating tool; 3 -times

Color	Item No.	PU (SPU)
● green	770-383	50 (1)



Lockout cap; for socket; separable; Pole number: 12

Color	Item No.	PU
● black	770-201	100
○ white	770-221	100



Lockout cap; for cutout; Pole number: 3

Color	Item No.	PU
● black	770-643	100
○ white	770-693	100

PU = packaging unit; SPU = subpackaging unit; Dimensions in mm

Snap-in device connector ▶ WINSTA® MIDI ▶ 770 Series

Pole number: 3 ▶ Number of connection points: 2 ▶ Protection type: IP20

Male connector/plug



Female connector/socket ▶ with protruding interface



2

770-713

General mains applications

Color	Coding	Marking	Item No.	PU
● black	A	N ⊕ L	770-713	100
○ white	A	N ⊕ L	770-733	100

Control technology

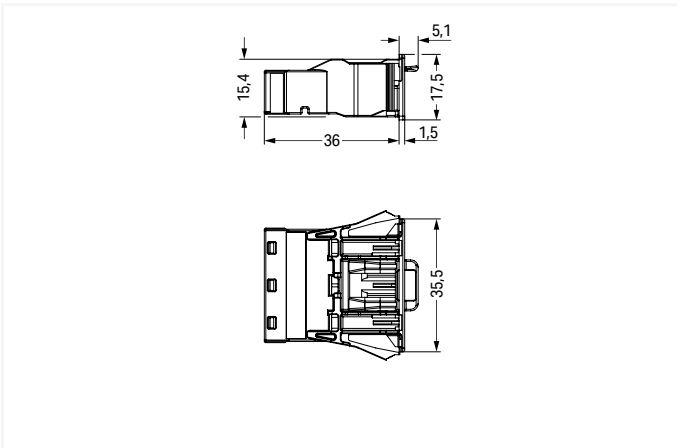
Color	Coding	Marking	Item No.	PU
○ gray	B	3 2 1	770-753	100
○ gray	B	N ⊕ L	770-753/060-000	100
○ gray	B	1 ⊕ 2	770-753/062-000	100
● light green	B	3 2 1	770-773	100
● light green	B	U- X/Y U+	770-773/071-000	100
● light green	B	2 ⊕ 1	770-773/073-000	100
● pink	B	5 2 1	770-793/081-000	100
● pink	B	3 2 1	770-793	100
● pink	B	- S +	770-793/082-000	100

EDV (UPS)

Color	Coding	Marking	Item No.	PU
● red	P	N ⊕ L	770-2313	100

LON bus

Color	Coding	Marking	Item No.	PU
● orange	R	S LON LON	770-2353	100

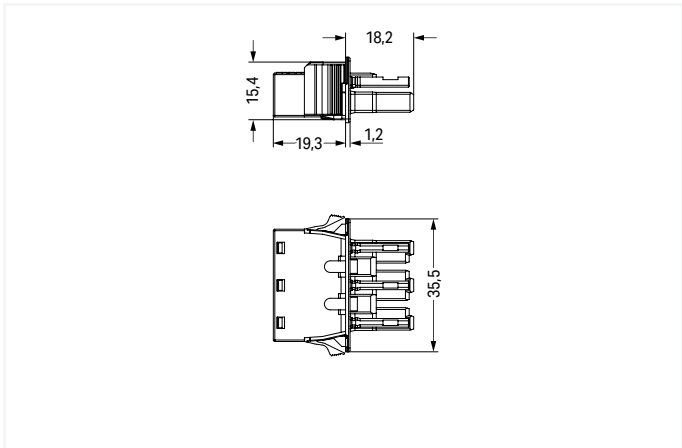


Item-Specific Accessories



Lockout cap; for plugs; separable; Pole number: 5

Color	Item No.	PU
● yellow	770-360	100



Item-Specific Accessories



Lockout cap; for socket; separable; Pole number: 12

Color	Item No.	PU
● black	770-201	100
○ white	770-221	100

Accessories; for all products on this page



Operating tool; 3 -times

Color	Item No.	PU (SPU)
● green	770-383	50 (1)



Lockout cap; for cutout; Pole number: 3

Color	Item No.	PU
● black	770-643	100
○ white	770-693	100

PU = packaging unit; SPU = subpackaging unit; Dimensions in mm

Snap-in device connector ▶ WINSTA® MIDI ▶ 770 Series

Pole number: 3 ▶ Number of connection points: 2 ▶ Protection type: IP20

Male connector/plug ▶ with direct ground contact



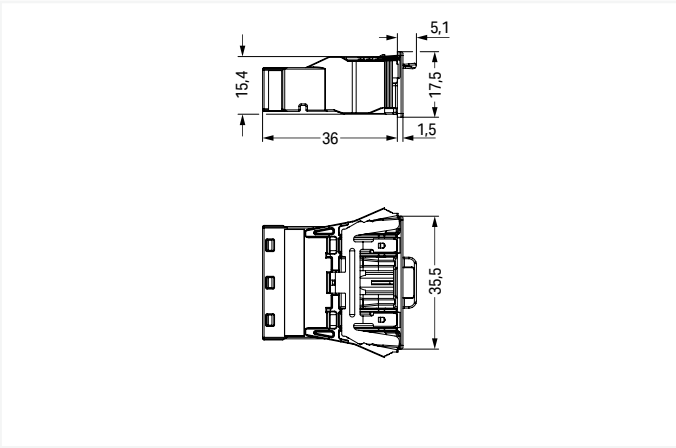
770-713/007-000

General mains applications

Color	Coding	Marking	Item No.	PU
● black	A	N ⊕ L	770-713/007-000	100
○ white	A	N ⊕ L	770-733/007-000	100

EDV (UPS)

Color	Coding	Marking	Item No.	PU
● red	P	N ⊕ L	770-2313/007-000	100



2

Accessories; for all products on this page



Operating tool; 3 -times

Color	Item No.	PU (SPU)
● green	770-383	50 (1)



Lockout cap; for cutout; Pole number: 3

Color	Item No.	PU
● black	770-643	100
○ white	770-693	100



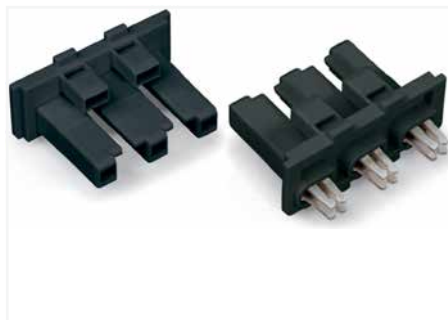
Lockout cap; for plugs; separable; Pole number: 5

Color	Item No.	PU
● yellow	770-360	100

PU = packaging unit; SPU = subpackaging unit; Dimensions in mm

Pluggable connectors ▶ WINSTA® MIDI ▶ 770 Series

Pole number: 3 ▶ Protection type: IP20



- Protected against mismatching and maintenance-free
- Push-in CAGE CLAMP® spring pressure connection technology allows solid conductors to be simply pushed into a unit.
- Two wire connections per pole for loops or bridges
- Additional variable coding is possible.

Electrical data			
Coding	A		
Ratings per	IEC/EN 60664-1		
Overvoltage category	III	III	II
Pollution degree	3	2	2
Nominal voltage	250 V	-	-
Rated surge voltage	4 kV	-	-
Rated current	25 A	-	-
Material data			
Insulation material (main housing)	Polyamide (PA66)		
Flammability class per UL94	V0		
Clamping spring material	Chrome-nickel spring steel (CrNi)		
Contact material	Copper or copper alloy; surface-treated		
Contact Plating	Tin		
Mechanical data			
Number of mating cycles	200, without resistive load		
Mating force of a plug-in connection	approx. 20 ... 70 N (depending on pole number)		
Unmating force of a plug-in connection	Unlocked: approx. 20 ... 70 N (depending on pole number)		
Retention force of a plug-in connection	Locked: > 80 N		
Protection type	IP20		
Environmental requirements			
Processing temperature	-5 ... +40 °C		
Continuous operating temperature	-35 ... +85 °C		
Note on continuous operating temperature	Insulating parts for temperatures ≤ 105 °C		

Note:

Application note for the U.S. market (USR): Some versions may also be used for current interruption in accordance with the UL certificate in select applications with currents below 16 A and voltages up to 600 V. For further information, please contact your local sales office.

All WINSTA® components are 100% protected against mismatching when:

- plugging different numbers of poles
- plugging while rotated 180
- plugging while laterally staggered
- plugging one pole

All connectors for mounted installations (snap-in versions for lighting fixtures or devices, all types of PCB and distribution connectors) are factory-equipped with locking levers to ensure plugs and sockets are securely locked. Additional locking levers are only required for flying leads (plug/socket).

See technical section for further information

Approvals and corresponding ratings, visit www.wago.com

Pluggable connectors ▶ WINSTA® MIDI ▶ 770 Series

Pole number: 3 ▶ Protection type: IP20

Female connector/socket



Male connector/plug

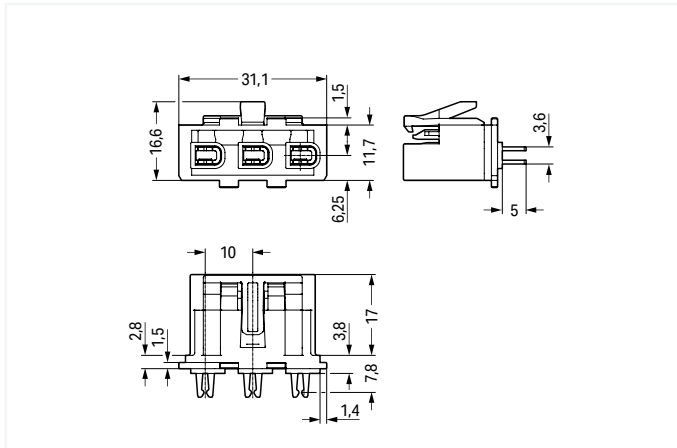
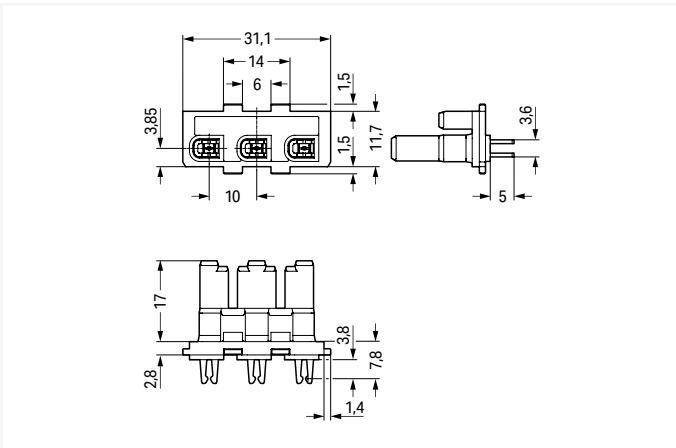


General mains applications

Color	Coding	Marking	Item No.	PU
● black	A	plain	770-408	100
○ white	A	plain	770-428	100

General mains applications

Color	Coding	Marking	Item No.	PU
● black	A	plain	770-418	100
○ white	A	plain	770-438	100



Item-Specific Accessories



Lockout cap; for socket; separable; Pole number: 12

Color	Item No.	PU
● black	770-201	100
○ white	770-221	100



Lockout cap; for plugs; separable; Pole number: 5

Color	Item No.	PU
● yellow	770-360	100

Pluggable PCB connector ▶ WINSTA® MIDI ▶ 770 Series

Pole number: 3



- Protected against mismatching and maintenance-free
- Push-in CAGE CLAMP® spring pressure connection technology for direct termination of solid conductors
- Additional variable coding possible

Electrical data			
Coding	A; B		
Ratings per	IEC/EN 60664-1		
Overvoltage category	III	III	II
Pollution degree	3	2	2
Nominal voltage	250 V	-	-
Rated surge voltage	4 kV	-	-
Rated current	25 A	-	-
Material data			
Insulation material (main housing)	Polyamide (PA66)		
Flammability class per UL94	V0		
Clamping spring material	Chrome-nickel spring steel (CrNi)		
Contact material	Copper or copper alloy; surface-treated		
Contact Plating	Tin		
Mechanical data			
Solder pin arrangement	2 in-line solder pins/pole		
Number of solder pins per potential	2		
Solder pin length	3.5 mm		
Solder pin dimensions	1 x 0.8 mm		
Drilled hole diameter with tolerance	1.5 ^{+0.1...+0.1} mm		
Number of mating cycles	200, without resistive load		
Mating force of a plug-in connection	approx. 20 ... 70 N (depending on pole number)		
Unmating force of a plug-in connection	Unlocked: approx. 20 ... 70 N (depending on pole number)		
Retention force of a plug-in connection	Locked: > 80 N		
Environmental requirements			
Processing temperature	-5 ... +40 °C		
Continuous operating temperature	-35 ... +85 °C		
Note on continuous operating temperature	Insulating parts for temperatures ≤ 105 °C		

Note:

All WINSTA® components are 100% protected against mismatching when:

- plugging different numbers of poles
- plugging while rotated 180
- plugging while laterally staggered
- plugging one pole

All connectors for mounted installations (snap-in versions for lighting fixtures or devices, all types of PCB and distribution connectors) are factory-equipped with locking levers to ensure plugs and sockets are securely locked. Additional locking levers are only required for flying leads (plug/socket).

Coding Page 373

See technical section for further information

Approvals and corresponding ratings, visit www.wago.com

Pluggable PCB connector ▶ WINSTA® MIDI ▶ 770 Series

Pole number: 3

Female connector/socket ▶ straight



770-803

Male connector/plug ▶ straight



770-813

General mains applications

Color	Coding	Marking	Item No.	PU
● black	A	L ⊕ N	770-803	100
○ white	A	L ⊕ N	770-823	100

Control technology

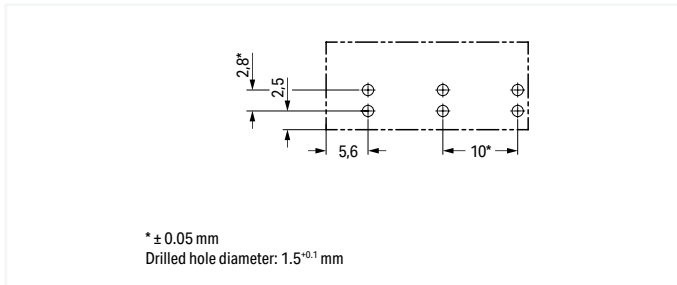
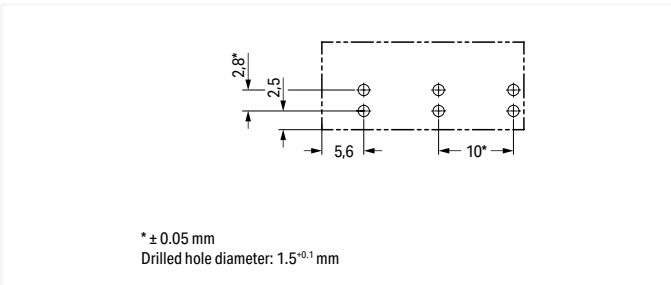
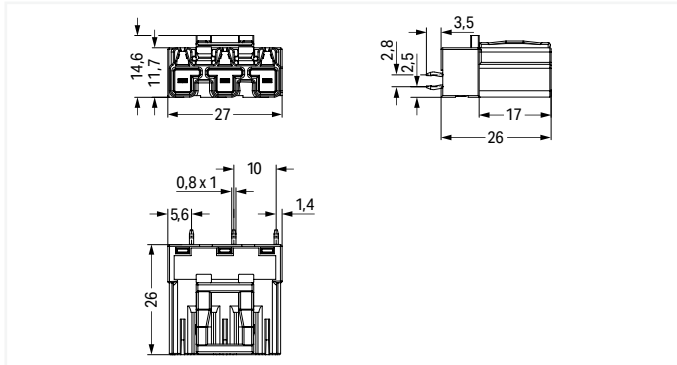
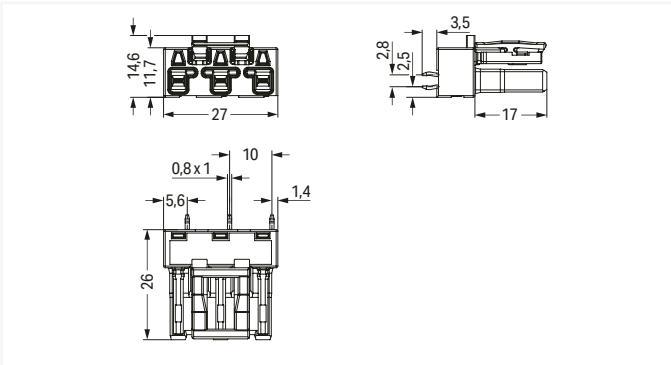
Color	Coding	Marking	Item No.	PU
○ gray	B	1 2 3	770-843	100
○ gray	B	L ⊕ N	770-843/060-000	100
○ gray	B	2 PE 1	770-843/062-000	100
● light green	B	1 2 3	770-863	100
● light green	B	U+ X/Y U-	770-863/071-000	100
● light green	B	1 ⊕ 2	770-863/073-000	100
● pink	B	1 2 3	770-883	100
● pink	B	1 2 5	770-883/081-000	100
● pink	B	+ S -	770-883/082-000	100

General mains applications

Color	Coding	Marking	Item No.	PU
● black	A	N ⊕ L	770-813	100
○ white	A	N ⊕ L	770-833	100

Control technology

Color	Coding	Marking	Item No.	PU
○ gray	B	3 2 1	770-853	100
○ gray	B	N ⊕ L	770-853/060-000	100
○ gray	B	1 PE 2	770-853/062-000	100
● light green	B	3 2 1	770-873	100
● light green	B	U- X/Y U+	770-873/071-000	100
● light green	B	2 ⊕ 1	770-873/073-000	100
● pink	B	3 2 1	770-893	100
● pink	B	5 2 1	770-893/081-000	100
● pink	B	- S +	770-893/082-000	100



Item-Specific Accessories



Lockout cap; for socket; separable; Pole number: 12

Color	Item No.	PU
● black	770-201	100
○ white	770-221	100

Item-Specific Accessories



Lockout cap; for plugs; separable; Pole number: 5

Color	Item No.	PU
● yellow	770-360	100

PU = packaging unit; SPU = subpackaging unit; Dimensions in mm

Pluggable PCB connector ▶ WINSTA® MIDI ▶ 770 Series

Pole number: 3

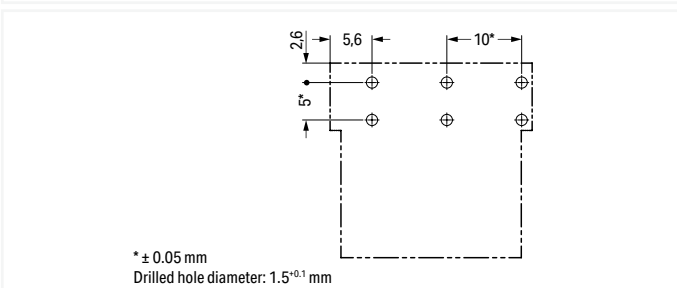
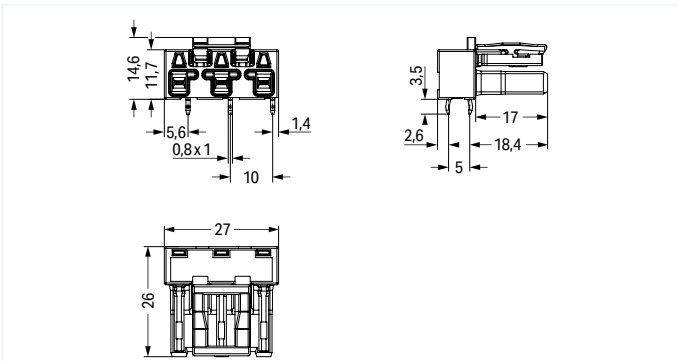
Female connector/socket ▶ angled



770-803/011-000

General mains applications				
Color	Coding	Marking	Item No.	PU
● black	A	L ⊕ N	770-803/011-000	100
○ white	A	L ⊕ N	770-823/011-000	100

Control technology				
Color	Coding	Marking	Item No.	PU
○ gray	B	1 2 3	770-843/011-000	100
○ gray	B	L ⊕ N	770-843/011-000/060-000	100
○ gray	B	2 PE 1	770-843/011-000/062-000	100
● light green	B	1 2 3	770-863/011-000	100
● light green	B	U+ X/Y U-	770-863/011-000/071-000	100
● light green	B	1 ⊕ 2	770-863/011-000/073-000	100
● pink	B	1 2 3	770-883/011-000	100
● pink	B	1 2 5	770-883/011-000/081-000	100
● pink	B	+ S -	770-883/011-000/082-000	100



Item-Specific Accessories



Lockout cap; for socket; separable; Pole number: 12

Color	Item No.	PU
● black	770-201	100
○ white	770-221	100

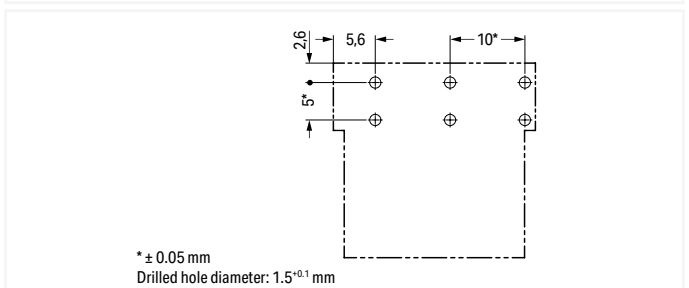
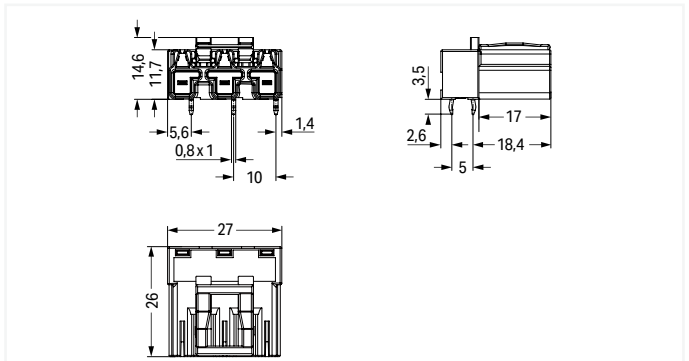
Male connector/plug ▶ angled



770-813/011-000

General mains applications				
Color	Coding	Marking	Item No.	PU
● black	A	N ⊕ L	770-813/011-000	100
○ white	A	N ⊕ L	770-833/011-000	100

Control technology				
Color	Coding	Marking	Item No.	PU
○ gray	B	3 2 1	770-853/011-000	100
○ gray	B	N ⊕ L	770-853/011-000/060-000	100
○ gray	B	1 PE 2	770-853/011-000/062-000	100
● light green	B	3 2 1	770-873/011-000	100
● light green	B	U- X/Y U+	770-873/011-000/071-000	100
● light green	B	2 ⊕ 1	770-873/011-000/073-000	100
● pink	B	3 2 1	770-893/011-000	100
● pink	B	5 2 1	770-893/011-000/081-000	100
● pink	B	- S +	770-893/011-000/082-000	100



Item-Specific Accessories



Lockout cap; for plugs; separable; Pole number: 5

Color	Item No.	PU
● yellow	770-360	100

PU = packaging unit; SPU = subpackaging unit; Dimensions in mm

Distribution connector ▶ WINSTA® MIDI ▶ 770 Series

Pole number: 3



- Protected against mismatching and maintenance-free
- Additional variable coding is possible.

Electrical data			
Coding	A; B; R; P		
Ratings per	IEC/EN 60664-1		
Overvoltage category	III	III	II
Pollution degree	3	2	2
Nominal voltage	250 V	-	-
Rated surge voltage	4 kV	-	-
Rated current	25 A	-	-
Material data			
Contact material	Copper or copper alloy; surface-treated		
Contact Plating	Tin		
Mechanical data			
Number of mating cycles	200, without resistive load		
Mating force of a plug-in connection	Approx. 20 ... 70 N (depending on pole number)		
Unmating force of a plug-in connection	Unlocked: approx. 20 ... 70 N (depending on pole number)		
Retention force of a plug-in connection	When locked: > 80 N		
Protection type	IP20		
Note on protection type	When mated: IP2xC (These compact connectors are not designed for use in open, easily accessible areas!)		
Number of inputs	1		
Environmental requirements			
Processing temperature	-5 ... +40 °C		
Continuous operating temperature	-35 ... +85 °C		
Note on continuous operating temperature	Insulating parts for temperatures ≤ 105 °C		

Note:

At least one snap-in connector **WITHOUT** a locking lever is required on one side when connecting two lights directly via intermediate coupler.

All WINSTA® components are 100% protected against mismatching when:

- plugging different numbers of poles
- plugging while rotated 180
- plugging while laterally staggered
- plugging one pole

All connectors for mounted installations (snap-in versions for lighting fixtures or devices, all types of PCB and distribution connectors) are factory-equipped with locking levers to ensure plugs and sockets are securely locked. Additional locking levers are only required for flying leads (plug/socket).

Coding Page 373

See technical section for further information

Approvals and corresponding ratings, visit www.wago.com

Distribution connector ▶ WINSTA® MIDI ▶ 770 Series

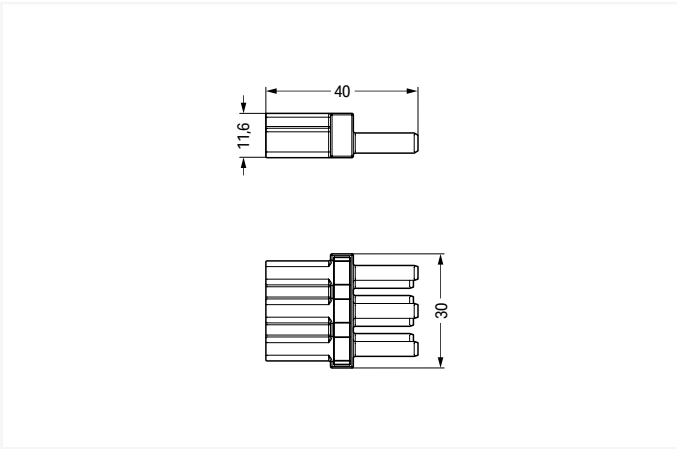
Pole number: 3

Intermediate coupler



770-603

General mains applications				
Color	Coding	Marking	Item No.	PU
● black	A	plain	770-603	100
○ white	A	plain	770-653	100



2

Accessories; for all products on this page



Lockout cap; for socket; separable; Pole number: 12



Lockout cap; for plugs; separable; Pole number: 5

Color	Item No.	PU
● black	770-201	100
○ white	770-221	100

Color	Item No.	PU
● yellow	770-360	100

PU = packaging unit; SPU = subpackaging unit; Dimensions in mm

Distribution connector ▶ WINSTA® MIDI ▶ 770 Series

Pole number: 3

Linect® T-connector

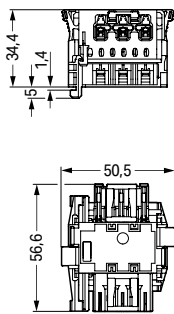


2

770-6223

General mains applications

Color	Coding	Marking	Item No.	PU
○ white	A	L ⊕ N	770-6223	25



Accessories; for all products on this page



Lockout cap; for socket; separable; Pole number: 12



Lockout cap; for plugs; separable; Pole number: 5

Color	Item No.	PU
● black	770-201	100
○ white	770-221	100

Color	Item No.	PU
● yellow	770-360	100

PU = packaging unit; SPU = subpackaging unit; Dimensions in mm

Distribution connector ▶ WINSTA® MIDI ▶ 770 Series

Pole number: 3

T-distribution connector

Number of locking levers: 2

for flying leads ▶ Number of locking levers: 3



770-606

770-615

General mains applications

Color	Coding	Marking	Item No.	PU
● black	A	L ⊕ N	770-606	50
○ white	A	L ⊕ N	770-656	50

Control technology

Color	Coding	Marking	Item No.	PU
○ gray	B	1 2 3	770-967	50
● light green	B	1 2 3	770-1612	50
● pink	B	1 2 3	770-1613	50

LON bus

Color	Coding	Marking	Item No.	PU
● orange	R	LON LON S	770-667	50

General mains applications

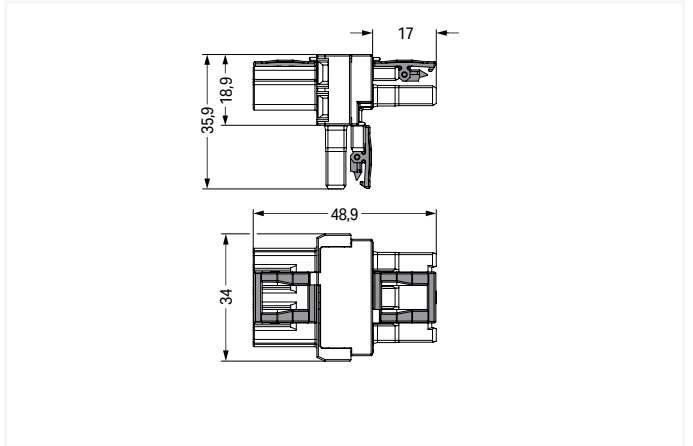
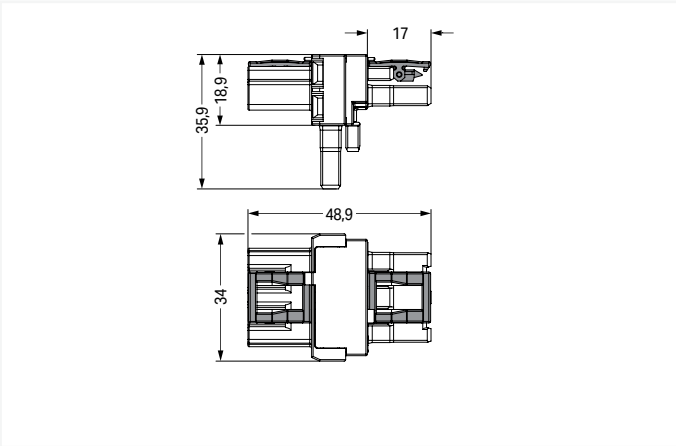
Color	Coding	Marking	Item No.	PU
● black	A	L ⊕ N	770-615	50
○ white	A	L ⊕ N	770-665	50

Control technology

Color	Coding	Marking	Item No.	PU
○ gray	B	1 2 3	770-970	50
● light green	B	1 2 3	770-1712	50
● pink	B	1 2 3	770-1713	50

LON bus

Color	Coding	Marking	Item No.	PU
● orange	R	LON LON S	770-670	50



Accessories; for all products on this page



Lockout cap; for socket; separable; Pole number: 12



Mounting carrier; for T-distribution connectors; 2- to 5-pole



Lockout cap; for plugs; separable; Pole number: 5

Color	Item No.	PU
● black	770-201	100
○ white	770-221	100

Color	Item No.	PU
● silver-colored	770-354	50

Color	Item No.	PU
● yellow	770-360	100

PU = packaging unit; SPU = subpackaging unit; Dimensions in mm

Distribution connector ▶ WINSTA® MIDI ▶ 770 Series

Pole number: 3

h-distribution connector, outputs at both ends

Number of locking levers: 2

for flying leads ▶ Number of locking levers: 3



770-633



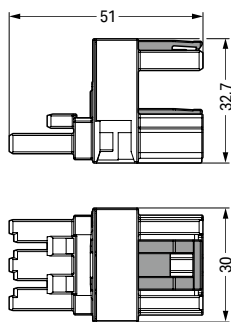
770-635

General mains applications

Color	Coding	Marking	Item No.	PU
● black	A	L ⊕ N	770-633	50
○ white	A	L ⊕ N	770-683	50

Control technology

Color	Coding	Marking	Item No.	PU
○ gray	B	1 2 3	770-1764	50
● light green	B	1 2 3	770-1765	50
● pink	B	1 2 3	770-1766	50

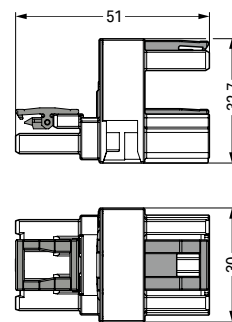


General mains applications

Color	Coding	Marking	Item No.	PU
● black	A	L ⊕ N	770-635	50
○ white	A	L ⊕ N	770-685	50

Control technology

Color	Coding	Marking	Item No.	PU
○ gray	B	1 2 3	770-1767	50
● light green	B	1 2 3	770-1768	50
● pink	B	1 2 3	770-1769	50



Accessories; for all products on this page



Lockout cap; for socket; separable; Pole number: 12



Mounting plate; for distribution connectors (except T-distribution connectors); 3-pole



Lockout cap; for plugs; separable; Pole number: 5

Color	Item No.	PU
● black	770-201	100
○ white	770-221	100

Color	Item No.	PU
● black	770-623	25
○ white	770-673	25

Color	Item No.	PU
● yellow	770-360	100

PU = packaging unit; SPU = subpackaging unit; Dimensions in mm

Distribution connector ▶ WINSTA® MIDI ▶ 770 Series

Pole number: 3

h-distribution connector, outputs at one end

Number of locking levers: 2

for flying leads ▶ Number of locking levers: 3



770-634

770-636

General mains applications

Color	Coding	Marking	Item No.	PU
● black	A	L ⊕ N	770-634	50
○ white	A	L ⊕ N	770-684	50

Control technology

Color	Coding	Marking	Item No.	PU
○ gray	B	1 2 3	770-1661	50
● light green	B	1 2 3	770-1662	50
● pink	B	1 2 3	770-1663	50

EDV (UPS)

Color	Coding	Marking	Item No.	PU
● red	P	L ⊕ N	770-934	50

General mains applications

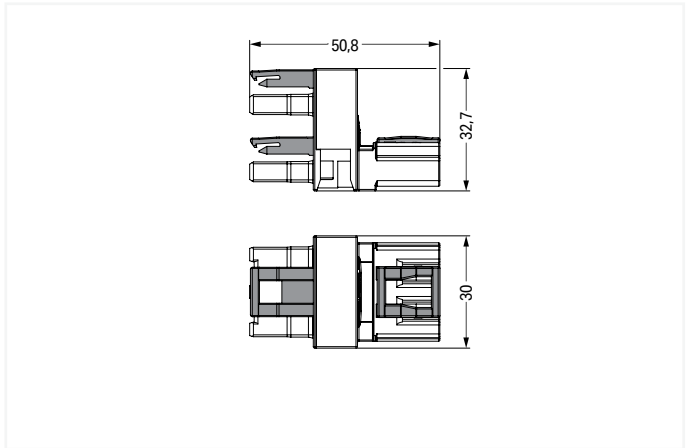
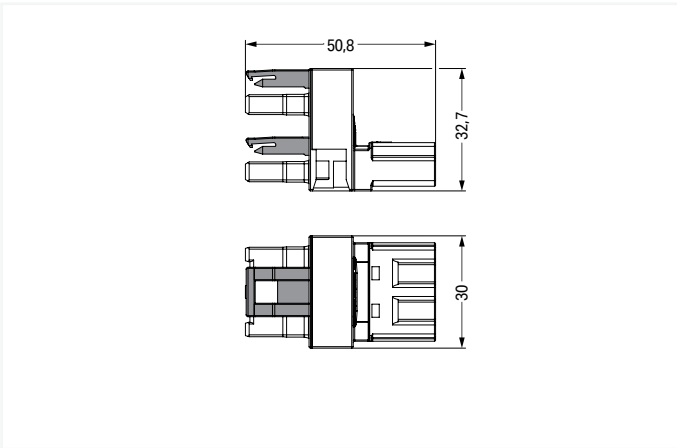
Color	Coding	Marking	Item No.	PU
● black	A	L ⊕ N	770-636	50
○ white	A	L ⊕ N	770-686	50

Control technology

Color	Coding	Marking	Item No.	PU
○ gray	B	1 2 3	770-1761	50
● light green	B	1 2 3	770-1762	50
● pink	B	1 2 3	770-1763	50

EDV (UPS)

Color	Coding	Marking	Item No.	PU
● red	P	L ⊕ N	770-936	50



Accessories; for all products on this page



Lockout cap; for socket; separable; Pole number: 12



Mounting plate; for distribution connectors (except T-distribution connectors); 3-pole



Lockout cap; for plugs; separable; Pole number: 5

Color	Item No.	PU
● black	770-201	100
○ white	770-221	100

Color	Item No.	PU
● black	770-623	25
○ white	770-673	25

Color	Item No.	PU
● yellow	770-360	100

PU = packaging unit; SPU = subpackaging unit; Dimensions in mm

Distribution connector ▶ WINSTA® MIDI ▶ 770 Series

Pole number: 3

Distribution connector, 3-way ▶ Number of locking levers: 4



2

770-607

General mains applications

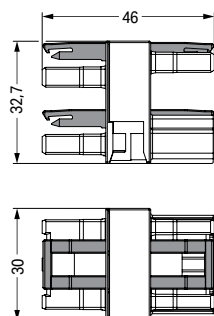
Color	Coding	Marking	Item No.	PU
● black	A	L ⊕ N	770-607	50
○ white	A	L ⊕ N	770-657	50

Control technology

Color	Coding	Marking	Item No.	PU
○ gray	B	1 2 3	770-1714	50
● light green	B	1 2 3	770-1715	50
● pink	B	1 2 3	770-1716	50

EDV (UPS)

Color	Coding	Marking	Item No.	PU
● red	P	L ⊕ N	770-907	50



Accessories; for all products on this page



Lockout cap; for socket; separable; Pole number: 12



Mounting plate; for distribution connectors (except T-distribution connectors); 3-pole



Lockout cap; for plugs; separable; Pole number: 5

Color	Item No.	PU
● black	770-201	100
○ white	770-221	100

Color	Item No.	PU
● black	770-623	25
○ white	770-673	25

Color	Item No.	PU
● yellow	770-360	100

PU = packaging unit; SPU = subpackaging unit; Dimensions in mm

Distribution connector ▶ WINSTA® MIDI ▶ 770 Series

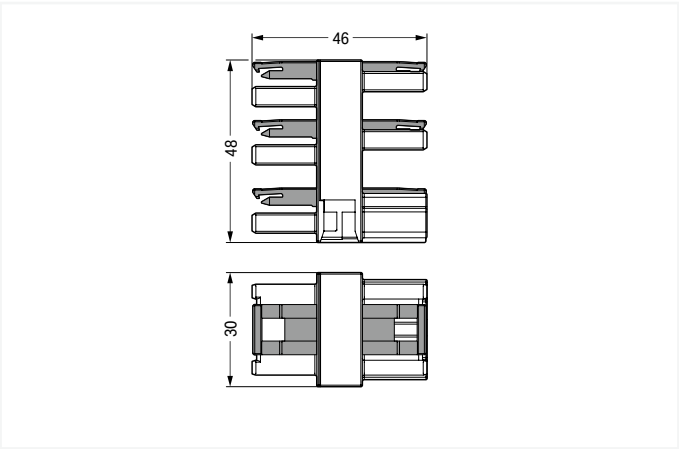
Pole number: 3

Distribution connector, 5-way ▶ Number of locking levers: 6



770-608

General mains applications				
Color	Coding	Marking	Item No.	PU
● black	A	L ⊕ N	770-608	25
○ white	A	L ⊕ N	770-658	25



2

Accessories; for all products on this page



Lockout cap; for socket; separable; Pole number: 12

Color	Item No.	PU
● black	770-201	100
○ white	770-221	100



Mounting plate; for distribution connectors (except T-distribution connectors); 3-pole

Color	Item No.	PU
● black	770-623	25
○ white	770-673	25



Lockout cap; for plugs; separable; Pole number: 5

Color	Item No.	PU
● yellow	770-360	100

PU = packaging unit; SPU = subpackaging unit; Dimensions in mm

Distribution connector ▶ WINSTA® MIDI ▶ 770 Series

Pole number: 3

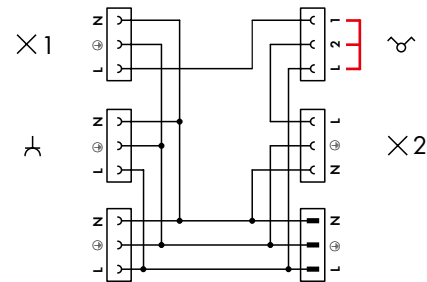
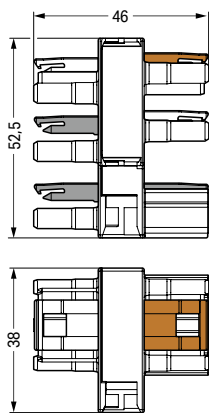
Distribution connector for single-pole switch or series circuits ▶ Number of locking levers: 6



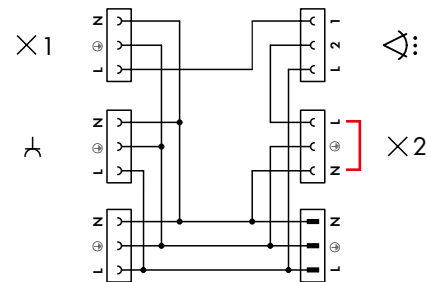
770-637

General mains applications

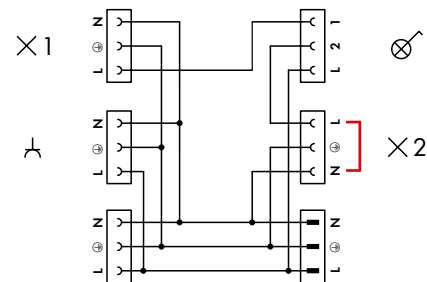
Color	Coding	Marking	Item No.	PU
● black	A	plain	770-637	10
○ white	A	plain	770-687	10



Internal circuit of 770-637 Distribution Connector with possible insertion position of 770-1373/14x-000 Shorting Plug



Internal circuit of 770-637 Distribution Connector with insertion position of 770-113/147-000 Shorting Plug for connecting a motion sensor



Internal circuit of 770-637 Distribution Connector with insertion position of 770-113/147-000 Shorting Plug for connecting a switch with control lamp

Accessories; for all products on this page



Lockout cap; for socket; separable; Pole number: 12

Color	Item No.	PU
● black	770-201	100
○ white	770-221	100



Mounting plate; for distribution connectors (except T-distribution connectors); 3-pole

Color	Item No.	PU
● black	770-623	25
○ white	770-673	25



Lockout cap; for plugs; separable; Pole number: 5

Color	Item No.	PU
● yellow	770-360	100



Jumper; for distribution connectors; series and two-way circuits; Pole number: 3; Coding: S

Marking	Item No.	PU
—	770-1373/146-000	25
—	770-1373/147-000	25
—	770-1373/148-000	25
—	770-1373/149-000	25



Jumper; for distribution connectors; series and two-way circuits; Pole number: 3; Coding: A

Marking	Item No.	PU
—	770-113/147-000	25

PU = packaging unit; SPU = subpackaging unit; Dimensions in mm

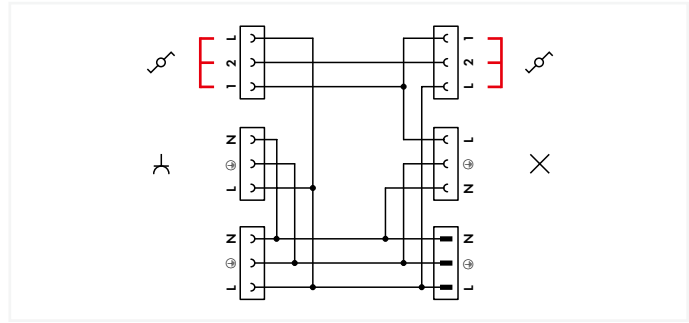
Distribution connector ▶ WINSTA® MIDI ▶ 770 Series

Pole number: 3

Distribution connector for single-pole switch and two-way circuits ▶ Number of locking levers: 6



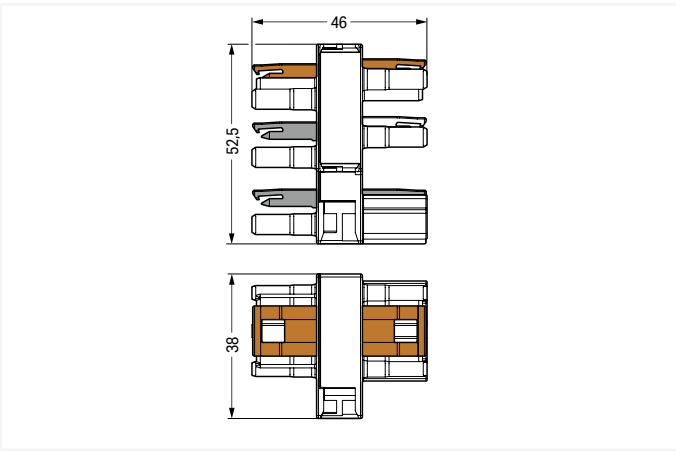
770-638



Internal circuit of 770-638 Distribution Connector with possible insertion positions of 770-1373/14x-000 Shorting Plug

General mains applications

Color	Coding	Marking	Item No.	PU
● black	A	plain	770-638	10
○ white	A	plain	770-688	10



2

Accessories; for all products on this page



Lockout cap; for socket; separable; Pole number: 12

Color	Item No.	PU
● black	770-201	100
○ white	770-221	100



Mounting plate; for distribution connectors (except T-distribution connectors); 3-pole

Color	Item No.	PU
● black	770-623	25
○ white	770-673	25



Lockout cap; for plugs; separable; Pole number: 5

Color	Item No.	PU
● yellow	770-360	100



Jumper; for distribution connectors; series and two-way circuits; Pole number: 3; Coding: S

Marking	Item No.	PU
	770-1373/146-000	25
	770-1373/147-000	25
	770-1373/148-000	25
	770-1373/149-000	25

PU = packaging unit; SPU = subpackaging unit; Dimensions in mm

Cable assembly ▶ WINSTA® MIDI ▶ 771 Series

Pole number: 3 ▶ Fire class per EN 50575: E_{ca}

- Protected against mismatching and maintenance-free
- Push-in CAGE CLAMP® spring pressure connection technology allows solid conductors to be simply pushed into a unit.
- Two wire connections per pole for loops or bridges
- Additional variable coding is possible.

Electrical data									
Coding	A; B; P; S			A; P			A; B		
Wire cross-section	1.5 mm ²			2.5 mm ²			0.75 mm ² ; 1 mm ²		
Ratings per	IEC/EN 60664-1			IEC/EN 60664-1			IEC/EN 60664-1		
Overtoltage category	III	III	II	III	III	II	III	III	II
Pollution degree	3	2	2	3	2	2	3	2	2
Nominal voltage	250 V	-	-	250 V	-	-	250 V	-	-
Rated surge voltage	4 kV	-	-	4 kV	-	-	4 kV	-	-
Rated current	16 A	-	-	20 A	-	-	10 A	-	-
Material data									
Insulation material (main housing)	Polyamide (PA66)								
Contact material	Copper or copper alloy; surface-treated								
Contact Plating	Tin								
Fire class per EN 50575	E _{ca}								
Mechanical data									
Number of mating cycles	200, without resistive load								
Mating force of a plug-in connection	approx. 20 ... 70 N (depending on pole number)								
Unmating force of a plug-in connection	when unlocked: approx. 20 ... 70 N (depending on pole number)								
Retention force of a plug-in connection	when locked: > 80N								
Note on protection type	When mated: IP2xC (These compact connectors are not designed for use in open, easily accessible areas!)								
Environmental requirements									
Processing temperature	-5 ... +40 °C								
Continuous operating temperature	-35 ... +85 °C								
Note on continuous operating temperature	Cable for temperatures ≤ 70 °C (including halogen-free) Insulating parts for temperatures ≤ 105 °C								

Note:

Cables with a different fire class can be found in the eS-hop.

All WINSTA® components are 100% protected against mismatching when:

- plugging different numbers of poles
- plugging while rotated 180
- plugging while laterally staggered
- plugging one pole

All connectors for mounted installations (snap-in versions for lighting fixtures or devices, all types of PCB and distribution connectors) are factory-equipped with locking levers to ensure plugs and sockets are securely locked. Additional locking levers are only required for flying leads (plug/socket).

Coding Page 373

Cover Page 149

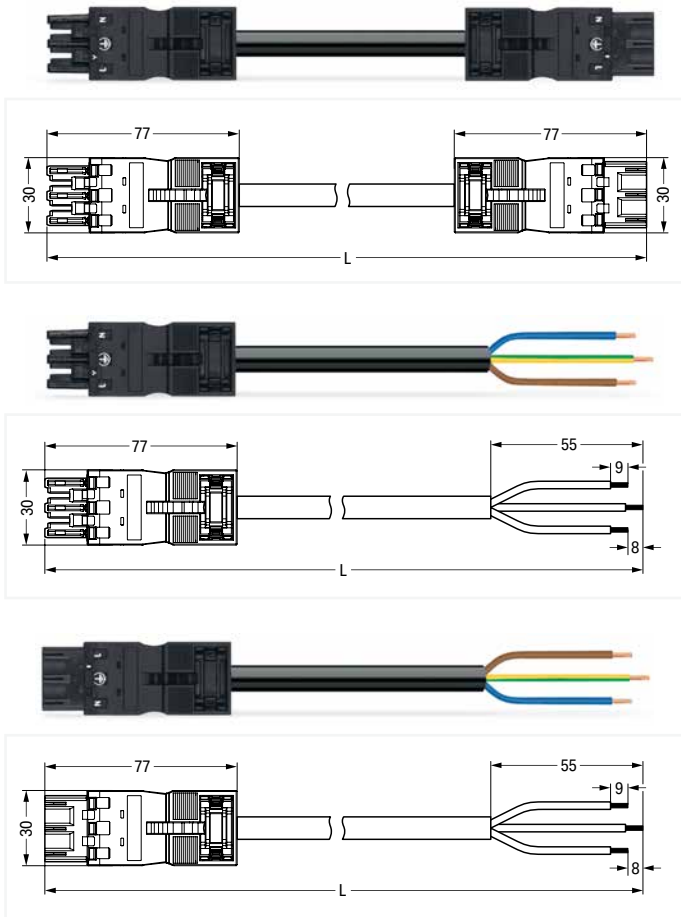
Marking Page 399

See technical section for further information

Approvals and corresponding ratings, visit www.wago.com

Cable assembly ▶ WINSTA® MIDI ▶ 771 Series

Pole number: 3 ▶ Fire class per EN 50575: E_{ca} ▶ Coding: A ▶ Protection type: IP2XD ▶ 1.5 mm² ▶ Marking: L ⊕ N ▶ PVC ▶ H05VV-F 3G1.5 ▶ General mains applications






Interconnecting cable ▶ Socket - Plug			
Total length	Connector color / Strain relief color		PU
	black / black	white / white	
1 m	771-6993/006-101	771-6993/006-102	1
2 m	771-6993/006-201	771-6993/006-202	1
3 m	771-6993/006-301	771-6993/006-302	1
4 m	771-6993/006-401	771-6993/006-402	1
5 m	771-6993/006-501	771-6993/006-502	1
6 m	771-6993/006-601	771-6993/006-602	1
7 m	771-6993/006-701	771-6993/006-702	1
8 m	771-6993/006-801	771-6993/006-802	1

Connecting cable ▶ Socket - free end ▶ Strip length (outer insulation): 55 mm			
Total length	Connector color / Strain relief color		PU
	black / black	white / white	
1 m	771-6993/106-101	771-6993/106-102	1
2 m	771-6993/106-201	771-6993/106-202	1
3 m	771-6993/106-301	771-6993/106-302	1
4 m	771-6993/106-401	771-6993/106-402	1
5 m	771-6993/106-501	771-6993/106-502	1
6 m	771-6993/106-601	771-6993/106-602	1
7 m	771-6993/106-701	771-6993/106-702	1
8 m	771-6993/106-801	771-6993/106-802	1

Connecting cable ▶ Plug - free end ▶ Strip length (outer insulation): 55 mm			
Total length	Connector color / Strain relief color		PU
	black / black	white / white	
1 m	771-6993/206-101	771-6993/206-102	1
2 m	771-6993/206-201	771-6993/206-202	1
3 m	771-6993/206-301	771-6993/206-302	1
4 m	771-6993/206-401	771-6993/206-402	1
5 m	771-6993/206-501	771-6993/206-502	1
6 m	771-6993/206-601	771-6993/206-602	1
7 m	771-6993/206-701	771-6993/206-702	1
8 m	771-6993/206-801	771-6993/206-802	1

2

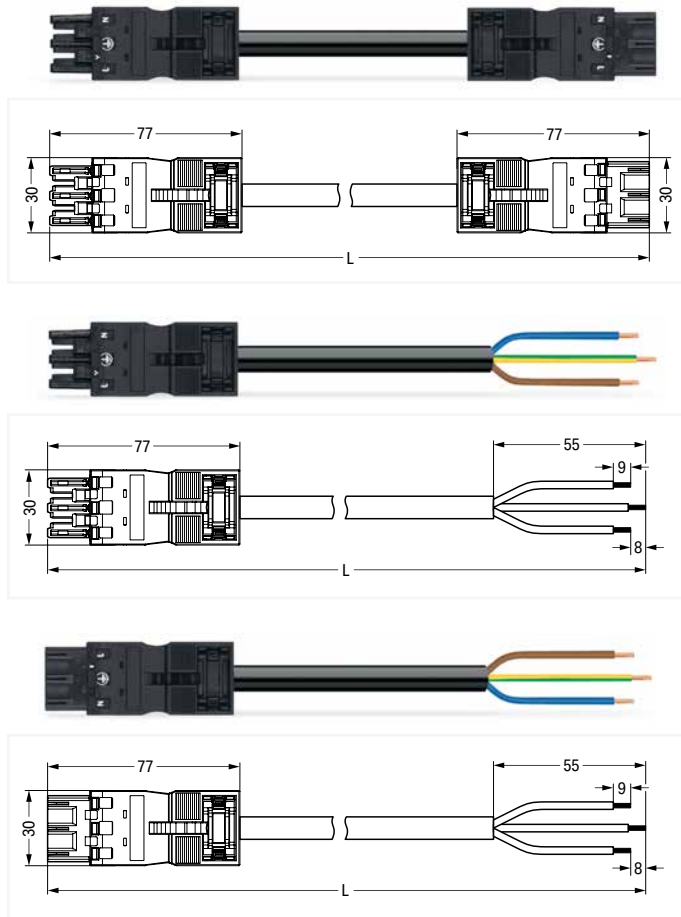
Accessories; for all products on this page

 Locking lever; for flying leads; manually operated			 Locking lever; for flying leads; tool operated			 Mounting carrier; for flying leads; 2- to 5-pole		
Color	Item No.	PU (SPU)	Color	Item No.	PU (SPU)	Color	Item No.	PU
● black	770-101	100 (25)	● black	770-111	100 (25)	● black	770-310	25
○ white	770-121	100 (25)	○ white	770-131	100 (25)			

PU = packaging unit; SPU = subpackaging unit; Dimensions in mm

Cable assembly ▶ WINSTA® MIDI ▶ 771 Series

Pole number: 3 ▶ Fire class per EN 50575: E_{ca} ▶ Coding: A ▶ Protection type: IP2XD ▶ 1.5 mm² ▶ Marking: L ⊕ N ▶ Halogen-free ▶ H05Z1Z1-F 3G1.5 ▶ General mains applications






Interconnecting cable ▶ Socket - Plug			
Total length	Connector color / Strain relief color		PU
	black / black	white / white	
1 m	771-6993/016-101	771-6993/016-102	1
2 m	771-6993/016-201	771-6993/016-202	1
3 m	771-6993/016-301	771-6993/016-302	1
4 m	771-6993/016-401	771-6993/016-402	1
5 m	771-6993/016-501	771-6993/016-502	1
6 m	771-6993/016-601	771-6993/016-602	1
7 m	771-6993/016-701	771-6993/016-702	1
8 m	771-6993/016-801	771-6993/016-802	1

Connecting cable ▶ Socket - free end ▶ Strip length (outer insulation): 55 mm			
Total length	Connector color / Strain relief color		PU
	black / black	white / white	
1 m	771-6993/116-101	771-6993/116-102	1
2 m	771-6993/116-201	771-6993/116-202	1
3 m	771-6993/116-301	771-6993/116-302	1
4 m	771-6993/116-401	771-6993/116-402	1
5 m	771-6993/116-501	771-6993/116-502	1
6 m	771-6993/116-601	771-6993/116-602	1
7 m	771-6993/116-701	771-6993/116-702	1
8 m	771-6993/116-801	771-6993/116-802	1

Connecting cable ▶ Plug - free end ▶ Strip length (outer insulation): 55 mm			
Total length	Connector color / Strain relief color		PU
	black / black	white / white	
1 m	771-6993/216-101	771-6993/216-102	1
2 m	771-6993/216-201	771-6993/216-202	1
3 m	771-6993/216-301	771-6993/216-302	1
4 m	771-6993/216-401	771-6993/216-402	1
5 m	771-6993/216-501	771-6993/216-502	1
6 m	771-6993/216-601	771-6993/216-602	1
7 m	771-6993/216-701	771-6993/216-702	1
8 m	771-6993/216-801	771-6993/216-802	1

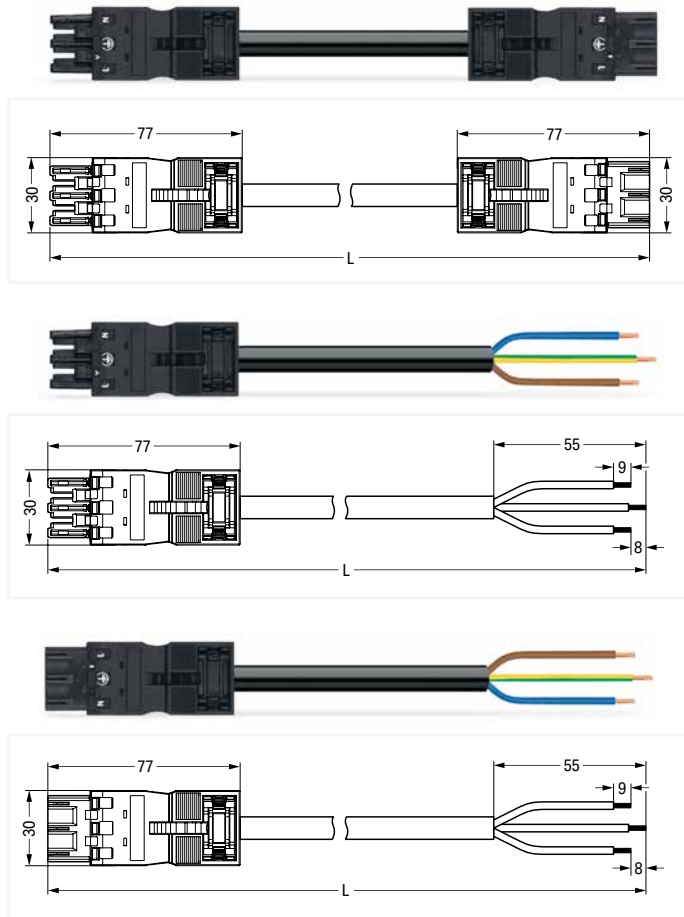
Accessories; for all products on this page

 Locking lever; for flying leads; manually operated			 Locking lever; for flying leads; tool operated			 Mounting carrier; for flying leads; 2- to 5-pole		
Color	Item No.	PU (SPU)	Color	Item No.	PU (SPU)	Color	Item No.	PU
● black	770-101	100 (25)	● black	770-111	100 (25)	● black	770-310	25
○ white	770-121	100 (25)	○ white	770-131	100 (25)			

PU = packaging unit; SPU = subpackaging unit; Dimensions in mm

Cable assembly ▶ WINSTA® MIDI ▶ 771 Series

Pole number: 3 ▶ Fire class per EN 50575: E_{ca} ▶ Coding: A ▶ Protection type: IP2XD ▶ 2.5 mm² ▶ Marking: L ⊕ N ▶ PVC ▶ H05VV-F 3G2.5 ▶ General mains applications



Interconnecting cable ▶ Socket - Plug

Total length	Connector color / Strain relief color		PU
	black / black	white / white	
1 m	771-6993/007-101	771-6993/007-102	1
2 m	771-6993/007-201	771-6993/007-202	1
3 m	771-6993/007-301	771-6993/007-302	1
4 m	771-6993/007-401	771-6993/007-402	1
5 m	771-6993/007-501	771-6993/007-502	1
6 m	771-6993/007-601	771-6993/007-602	1
7 m	771-6993/007-701	771-6993/007-702	1
8 m	771-6993/007-801	771-6993/007-802	1

Connecting cable ▶ Socket - free end ▶ Strip length (outer insulation): 55 mm




Total length	Connector color / Strain relief color		PU
	black / black	white / white	
1 m	771-6993/107-101	771-6993/107-102	1
2 m	771-6993/107-201	771-6993/107-202	1
3 m	771-6993/107-301	771-6993/107-302	1
4 m	771-6993/107-401	771-6993/107-402	1
5 m	771-6993/107-501	771-6993/107-502	1
6 m	771-6993/107-601	771-6993/107-602	1
7 m	771-6993/107-701	771-6993/107-702	1
8 m	771-6993/107-801	771-6993/107-802	1

Connecting cable ▶ Plug - free end ▶ Strip length (outer insulation): 55 mm

Total length	Connector color / Strain relief color		PU
	black / black	white / white	
1 m	771-6993/207-101	771-6993/207-102	1
2 m	771-6993/207-201	771-6993/207-202	1
3 m	771-6993/207-301	771-6993/207-302	1
4 m	771-6993/207-401	771-6993/207-402	1
5 m	771-6993/207-501	771-6993/207-502	1
6 m	771-6993/207-601	771-6993/207-602	1
7 m	771-6993/207-701	771-6993/207-702	1
8 m	771-6993/207-801	771-6993/207-802	1

2

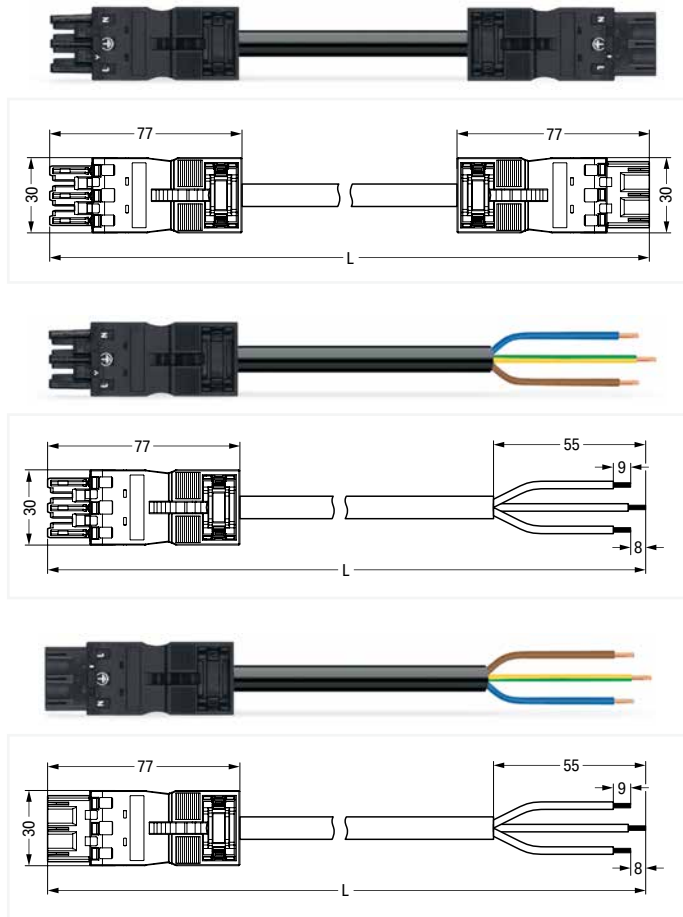
Accessories; for all products on this page

 Locking lever; for flying leads; manually operated			 Locking lever; for flying leads; tool operated			 Mounting carrier; for flying leads; 2- to 5-pole		
Color	Item No.	PU (SPU)	Color	Item No.	PU (SPU)	Color	Item No.	PU
● black	770-101	100 (25)	● black	770-111	100 (25)	● black	770-310	25
○ white	770-121	100 (25)	○ white	770-131	100 (25)			

PU = packaging unit; SPU = subpackaging unit; Dimensions in mm

Cable assembly ▶ WINSTA® MIDI ▶ 771 Series

Pole number: 3 ▶ Fire class per EN 50575: E_{ca} ▶ Coding: A ▶ Protection type: IP2XD ▶ 2.5 mm² ▶ Marking: L ⊕ N ▶ Halogen-free ▶ H05Z1Z1-F 3G2.5 ▶ General mains applications






Interconnecting cable ▶ Socket - Plug			
Total length	Connector color / Strain relief color		PU
	black / black	white / white	
1 m	771-6993/017-101	771-6993/017-102	1
2 m	771-6993/017-201	771-6993/017-202	1
3 m	771-6993/017-301	771-6993/017-302	1
4 m	771-6993/017-401	771-6993/017-402	1
5 m	771-6993/017-501	771-6993/017-502	1
6 m	771-6993/017-601	771-6993/017-602	1
7 m	771-6993/017-701	771-6993/017-702	1
8 m	771-6993/017-801	771-6993/017-802	1

Connecting cable ▶ Socket - free end ▶ Strip length (outer insulation): 55 mm			
Total length	Connector color / Strain relief color		PU
	black / black	white / white	
1 m	771-6993/117-101	771-6993/117-102	1
2 m	771-6993/117-201	771-6993/117-202	1
3 m	771-6993/117-301	771-6993/117-302	1
4 m	771-6993/117-401	771-6993/117-402	1
5 m	771-6993/117-501	771-6993/117-502	1
6 m	771-6993/117-601	771-6993/117-602	1
7 m	771-6993/117-701	771-6993/117-702	1
8 m	771-6993/117-801	771-6993/117-802	1

Connecting cable ▶ Plug - free end ▶ Strip length (outer insulation): 55 mm			
Total length	Connector color / Strain relief color		PU
	black / black	white / white	
1 m	771-6993/217-101	771-6993/217-102	1
2 m	771-6993/217-201	771-6993/217-202	1
3 m	771-6993/217-301	771-6993/217-302	1
4 m	771-6993/217-401	771-6993/217-402	1
5 m	771-6993/217-501	771-6993/217-502	1
6 m	771-6993/217-601	771-6993/217-602	1
7 m	771-6993/217-701	771-6993/217-702	1
8 m	771-6993/217-801	771-6993/217-802	1

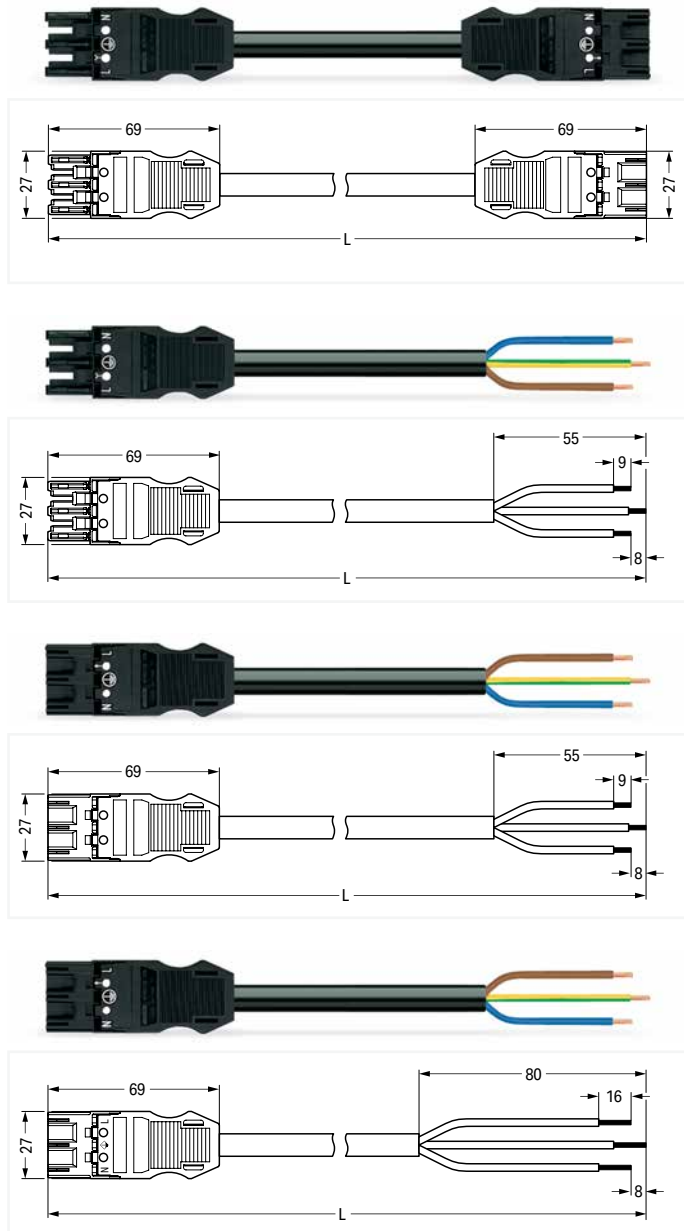
Accessories; for all products on this page

 Locking lever; for flying leads; manually operated			 Locking lever; for flying leads; tool operated			 Mounting carrier; for flying leads; 2- to 5-pole		
Color	Item No.	PU (SPU)	Color	Item No.	PU (SPU)	Color	Item No.	PU
● black	770-101	100 (25)	● black	770-111	100 (25)	● black	770-310	25
○ white	770-121	100 (25)	○ white	770-131	100 (25)			

PU = packaging unit; SPU = subpackaging unit; Dimensions in mm

Cable assembly ▶ WINSTA® MIDI ▶ 771 Series

Pole number: 3 ▶ Fire class per EN 50575: E_{ca} ▶ Coding: A ▶ Protection type: IP20 ▶ 1.5 mm² ▶ Marking: L ⊕ N ▶ PVC ▶ H05VV-F 3G1.5 ▶ General mains applications



Interconnecting cable ▶ Socket - Plug

Total length	Connector color / Strain relief color		PU
	black / black	white / white	
1 m	771-9993/006-101	771-9993/006-102	1
2 m	771-9993/006-201	771-9993/006-202	1
3 m	771-9993/006-301	771-9993/006-302	1
4 m	771-9993/006-401	771-9993/006-402	1
5 m	771-9993/006-501	771-9993/006-502	1
6 m	771-9993/006-601	771-9993/006-602	1
7 m	771-9993/006-701	771-9993/006-702	1
8 m	771-9993/006-801	771-9993/006-802	1

Connecting cable ▶ Socket - free end ▶ Strip length (outer insulation): 55 mm

Total length	Connector color / Strain relief color		PU
	black / black	white / white	
1 m	771-9993/106-101	771-9993/106-102	1
2 m	771-9993/106-201	771-9993/106-202	1
3 m	771-9993/106-301	771-9993/106-302	1
4 m	771-9993/106-401	771-9993/106-402	1
5 m	771-9993/106-501	771-9993/106-502	1
6 m	771-9993/106-601	771-9993/106-602	1
7 m	771-9993/106-701	771-9993/106-702	1
8 m	771-9993/106-801	771-9993/106-802	1

Connecting cable ▶ Plug - free end ▶ Strip length (outer insulation): 55 mm




Total length	Connector color / Strain relief color		PU
	black / black	white / white	
1 m	771-9993/206-101	771-9993/206-102	1
2 m	771-9993/206-201	771-9993/206-202	1
3 m	771-9993/206-301	771-9993/206-302	1
4 m	771-9993/206-401	771-9993/206-402	1
5 m	771-9993/206-501	771-9993/206-502	1
6 m	771-9993/206-601	771-9993/206-602	1
7 m	771-9993/206-701	771-9993/206-702	1
8 m	771-9993/206-801	771-9993/206-802	1

Connecting cable ▶ Plug - free end ▶ Strip length (outer insulation): 80 mm ▶ for switches and outlet installation

Total length	Connector color / Strain relief color		PU
	black / black	white / white	
1 m	771-9993/3206-101		1
2 m	771-9993/3206-201		1
3 m	771-9993/3206-301		1
4 m	771-9993/3206-401		1
5 m	771-9993/3206-501		1
6 m	771-9993/3206-601		1
7 m	771-9993/3206-701		1
8 m	771-9993/3206-801		1

2

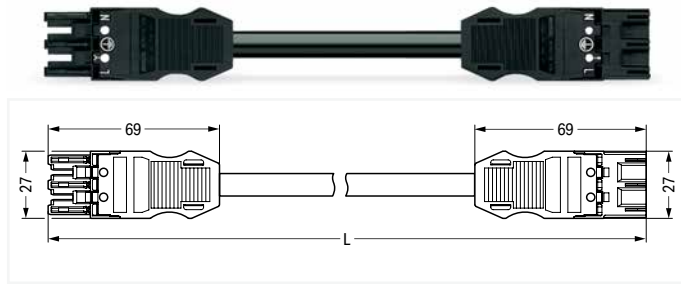
Accessories; for all products on this page

 Locking lever; for flying leads; manually operated			 Locking lever; for flying leads; tool operated			 Mounting carrier; for flying leads; 2- to 5-pole		
Color	Item No.	PU (SPU)	Color	Item No.	PU (SPU)	Color	Item No.	PU
● black	770-101	100 (25)	● black	770-111	100 (25)	● black	770-310	25
○ white	770-121	100 (25)	○ white	770-131	100 (25)			

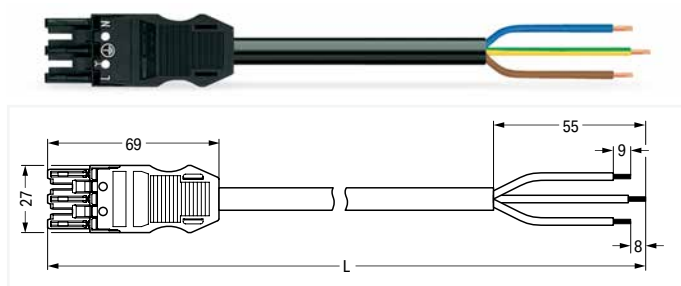
PU = packaging unit; SPU = subpackaging unit; Dimensions in mm

Cable assembly ▶ WINSTA® MIDI ▶ 771 Series

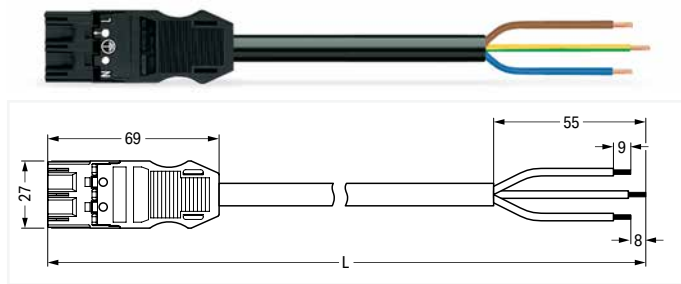
Pole number: 3 ▶ Fire class per EN 50575: E_{ca} ▶ Coding: A ▶ Protection type: IP20 ▶ 1.5 mm² ▶ Marking: L ⊕ N ▶ Halogen-free ▶ H05Z1Z1-F 3G1.5 ▶ General mains applications



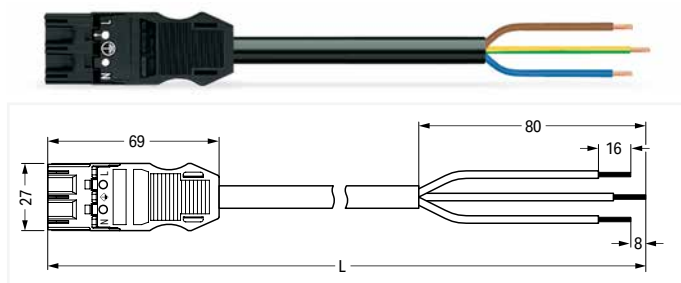
Total length	Connector color / Strain relief color		PU
	black / black	white / white	
1 m	771-9993/016-101	771-9993/016-102	1
2 m	771-9993/016-201	771-9993/016-202	1
3 m	771-9993/016-301	771-9993/016-302	1
4 m	771-9993/016-401	771-9993/016-402	1
5 m	771-9993/016-501	771-9993/016-502	1
6 m	771-9993/016-601	771-9993/016-602	1
7 m	771-9993/016-701	771-9993/016-702	1
8 m	771-9993/016-801	771-9993/016-802	1



Total length	Connector color / Strain relief color		PU
	black / black	white / white	
1 m	771-9993/116-101	771-9993/116-102	1
2 m	771-9993/116-201	771-9993/116-202	1
3 m	771-9993/116-301	771-9993/116-302	1
4 m	771-9993/116-401	771-9993/116-402	1
5 m	771-9993/116-501	771-9993/116-502	1
6 m	771-9993/116-601	771-9993/116-602	1
7 m	771-9993/116-701	771-9993/116-702	1
8 m	771-9993/116-801	771-9993/116-802	1



Total length	Connector color / Strain relief color		PU
	black / black	white / white	
1 m	771-9993/216-101	771-9993/216-102	1
2 m	771-9993/216-201	771-9993/216-202	1
3 m	771-9993/216-301	771-9993/216-302	1
4 m	771-9993/216-401	771-9993/216-402	1
5 m	771-9993/216-501	771-9993/216-502	1
6 m	771-9993/216-601	771-9993/216-602	1
7 m	771-9993/216-701	771-9993/216-702	1
8 m	771-9993/216-801	771-9993/216-802	1



Total length	Connector color / Strain relief color		PU
	black / black	white / white	
1 m	771-9993/3216-101		1
2 m	771-9993/3216-201		1
3 m	771-9993/3216-301		1
4 m	771-9993/3216-401		1
5 m	771-9993/3216-501		1
6 m	771-9993/3216-601		1
7 m	771-9993/3216-701		1
8 m	771-9993/3216-801		1

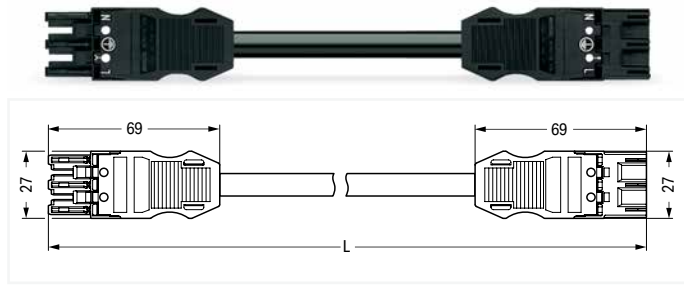
Accessories; for all products on this page

Locking lever; for flying leads; manually operated			Locking lever; for flying leads; tool operated			Mounting carrier; for flying leads; 2- to 5-pole		
Color	Item No.	PU (SPU)	Color	Item No.	PU (SPU)	Color	Item No.	PU
● black	770-101	100 (25)	● black	770-111	100 (25)	● black	770-310	25
○ white	770-121	100 (25)	○ white	770-131	100 (25)			

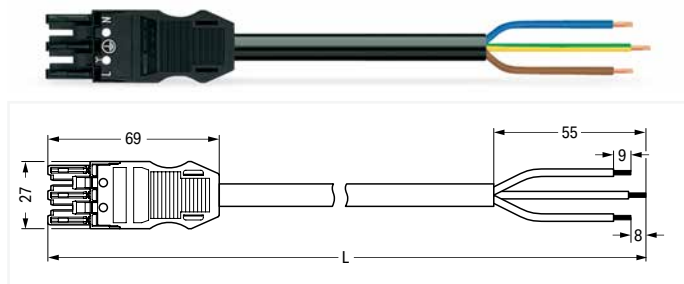
PU = packaging unit; SPU = subpackaging unit; Dimensions in mm

Cable assembly ▶ WINSTA® MIDI ▶ 771 Series

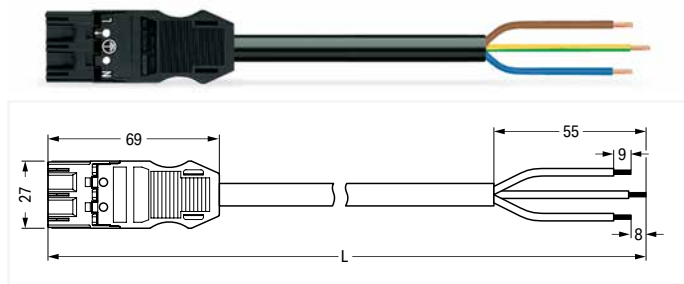
Pole number: 3 ▶ Fire class per EN 50575: E_{ca} ▶ Coding: A ▶ Protection type: IP20 ▶ 2.5 mm² ▶ Marking: L ⊕ N ▶ PVC ▶ H05VV-F 3G2.5 ▶ General mains applications



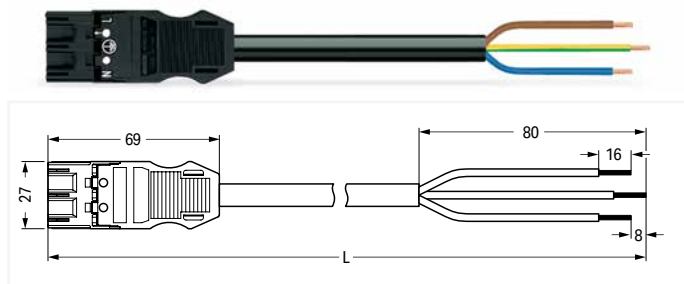
Interconnecting cable ▶ Socket - Plug			
Total length	Connector color / Strain relief color		PU
	black / black	white / white	
1 m	771-9993/007-101	771-9993/007-102	1
2 m	771-9993/007-201	771-9993/007-202	1
3 m	771-9993/007-301	771-9993/007-302	1
4 m	771-9993/007-401	771-9993/007-402	1
5 m	771-9993/007-501	771-9993/007-502	1
6 m	771-9993/007-601	771-9993/007-602	1
7 m	771-9993/007-701	771-9993/007-702	1
8 m	771-9993/007-801	771-9993/007-802	1
10 m	771-9993/007-1001	771-9993/007-1002	1
12 m	771-9993/007-1201	771-9993/007-1202	1
14 m	771-9993/007-1401		1



Connecting cable ▶ Socket - free end ▶ Strip length (outer insulation): 55 mm			
Total length	Connector color / Strain relief color		PU
	black / black	white / white	
1 m	771-9993/107-101	771-9993/107-102	1
2 m	771-9993/107-201	771-9993/107-202	1
3 m	771-9993/107-301	771-9993/107-302	1
4 m	771-9993/107-401	771-9993/107-402	1
5 m	771-9993/107-501	771-9993/107-502	1
6 m	771-9993/107-601	771-9993/107-602	1
7 m	771-9993/107-701	771-9993/107-702	1
8 m	771-9993/107-801	771-9993/107-802	1



Connecting cable ▶ Plug - free end ▶ Strip length (outer insulation): 55 mm			
Total length	Connector color / Strain relief color		PU
	black / black	white / white	
1 m	771-9993/207-101	771-9993/207-102	1
2 m	771-9993/207-201	771-9993/207-202	1
3 m	771-9993/207-301	771-9993/207-302	1
4 m	771-9993/207-401	771-9993/207-402	1
5 m	771-9993/207-501	771-9993/207-502	1
6 m	771-9993/207-601	771-9993/207-602	1
7 m	771-9993/207-701	771-9993/207-702	1
8 m	771-9993/207-801	771-9993/207-802	1



Connecting cable ▶ Plug - free end ▶ Strip length (outer insulation): 80 mm ▶ for switches and outlet installation			
Total length	Connector color / Strain relief color		PU
	black / black	white / white	
1 m	771-9993/3207-101		1
2 m	771-9993/3207-201		1
3 m	771-9993/3207-301		1
4 m	771-9993/3207-401		1
5 m	771-9993/3207-501		1
6 m	771-9993/3207-601		1
7 m	771-9993/3207-701		1
8 m	771-9993/3207-801		1

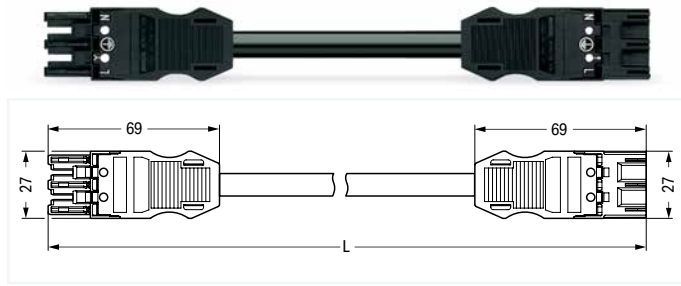
Accessories; for all products on this page

	Locking lever; for flying leads; manually operated		Locking lever; for flying leads; tool operated		Mounting carrier; for flying leads; 2- to 5-pole			
Color	Item No.	PU (SPU)	Color	Item No.	PU (SPU)	Color	Item No.	PU
● black	770-101	100 (25)	● black	770-111	100 (25)	● black	770-310	25
○ white	770-121	100 (25)	○ white	770-131	100 (25)			

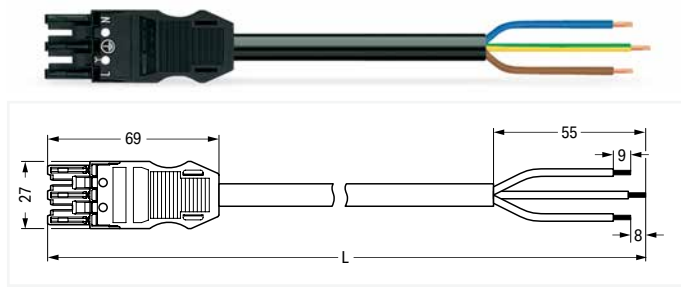
PU = packaging unit; SPU = subpackaging unit; Dimensions in mm

Cable assembly ▶ WINSTA® MIDI ▶ 771 Series

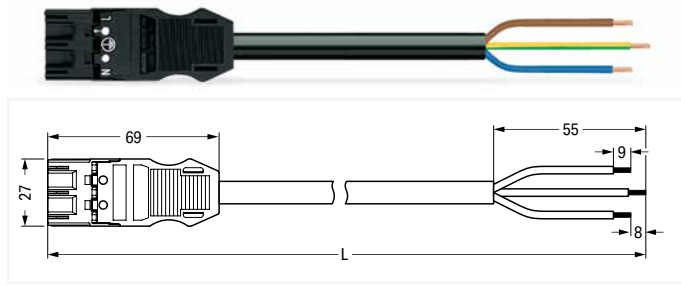
Pole number: 3 ▶ Fire class per EN 50575: E_{ca} ▶ Coding: A ▶ Protection type: IP20 ▶ 2.5 mm² ▶ Marking: L ⊕ N ▶ Halogen-free ▶ H05Z1Z1-F 3G2.5 ▶ General mains applications



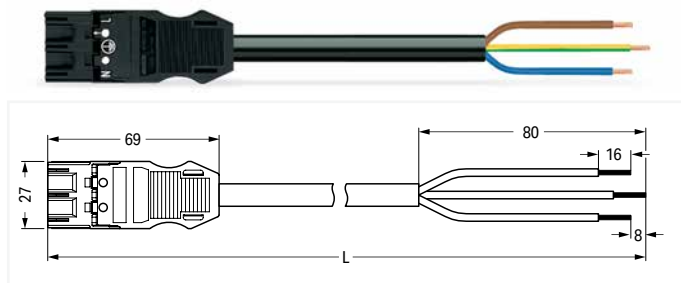
Total length	Connector color / Strain relief color		PU
	black / black	white / white	
1 m	771-9993/017-101	771-9993/017-102	1
2 m	771-9993/017-201	771-9993/017-202	1
3 m	771-9993/017-301	771-9993/017-302	1
4 m	771-9993/017-401	771-9993/017-402	1
5 m	771-9993/017-501	771-9993/017-502	1
6 m	771-9993/017-601	771-9993/017-602	1
7 m	771-9993/017-701	771-9993/017-702	1
8 m	771-9993/017-801	771-9993/017-802	1



Total length	Connector color / Strain relief color		PU
	black / black	white / white	
1 m	771-9993/117-101	771-9993/117-102	1
2 m	771-9993/117-201	771-9993/117-202	1
3 m	771-9993/117-301	771-9993/117-302	1
4 m	771-9993/117-401	771-9993/117-402	1
5 m	771-9993/117-501	771-9993/117-502	1
6 m	771-9993/117-601	771-9993/117-602	1
7 m	771-9993/117-701	771-9993/117-702	1
8 m	771-9993/117-801	771-9993/117-802	1



Total length	Connector color / Strain relief color		PU
	black / black	white / white	
1 m	771-9993/217-101	771-9993/217-102	1
2 m	771-9993/217-201	771-9993/217-202	1
3 m	771-9993/217-301	771-9993/217-302	1
4 m	771-9993/217-401	771-9993/217-402	1
5 m	771-9993/217-501	771-9993/217-502	1
6 m	771-9993/217-601	771-9993/217-602	1
7 m	771-9993/217-701	771-9993/217-702	1
8 m	771-9993/217-801	771-9993/217-802	1



Total length	Connector color / Strain relief color		PU
	black / black	white / white	
1 m	771-9993/3217-101		1
2 m	771-9993/3217-201		1
3 m	771-9993/3217-301		1
4 m	771-9993/3217-401		1
5 m	771-9993/3217-501		1
6 m	771-9993/3217-601		1
7 m	771-9993/3217-701		1
8 m	771-9993/3217-801		1

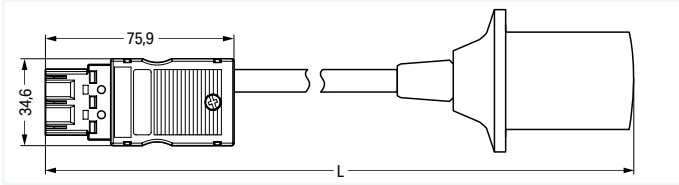
Accessories; for all products on this page

Locking lever; for flying leads; manually operated			Locking lever; for flying leads; tool operated			Mounting carrier; for flying leads; 2- to 5-pole		
Color	Item No.	PU (SPU)	Color	Item No.	PU (SPU)	Color	Item No.	PU
● black	770-101	100 (25)	● black	770-111	100 (25)	● black	770-310	25
○ white	770-121	100 (25)	○ white	770-131	100 (25)			

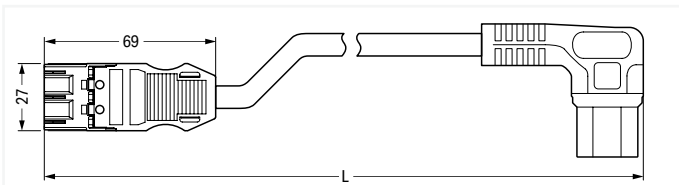
PU = packaging unit; SPU = subpackaging unit; Dimensions in mm

Cable assembly ▶ WINSTA® MIDI ▶ 771 Series

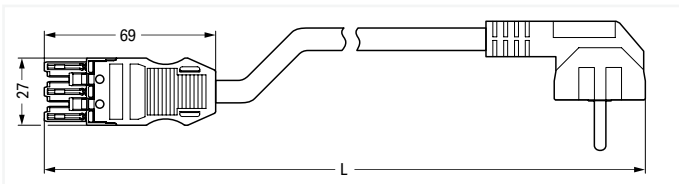
Pole number: 3 ▶ Fire class per EN 50575: E_{ca} ▶ Coding: A ▶ Protection type: IP20 ▶ Marking: L ⊕ N
▶ PVC ▶ General mains applications



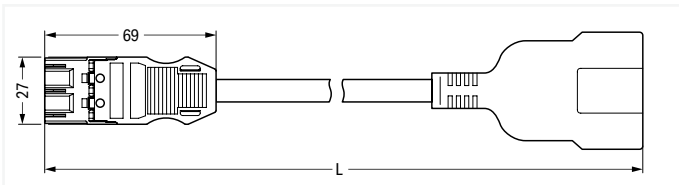
0.75 mm² ▶ H03VVH2-F 2x0.75 ▶ Adapter cable ▶ Plug - E 27 lamp socket			
Total length	Connector color / Strain relief color		PU
	black / black		
0.5 m	771-8993/1004-051		1



1 mm² ▶ H05VV-F 3G1 ▶ Adapter cable ▶ Plug - Cold equipment coupling C13, angled			
Total length	Connector color / Strain relief color		PU
	black / black	white / white	
1 m	771-9993/805-101	771-9993/805-102	1
2 m	771-9993/805-201	771-9993/805-202	1
3 m	771-9993/805-301	771-9993/805-302	1



1.5 mm² ▶ H05VV-F 3G1.5 ▶ Adapter cable ▶ Socket - SCHUKO plug, angled			
Total length	Connector color / Strain relief color		PU
	black / black	white / white	
1 m	771-9993/306-101	771-9993/306-102	1
2 m	771-9993/306-201	771-9993/306-202	1
3 m	771-9993/306-301	771-9993/306-302	1



1.5 mm² ▶ H05VV-F 3G1.5 ▶ Adapter cable ▶ Plug - SCHUKO socket			
Total length	Connector color / Strain relief color		PU
	black / black	white / white	
1 m	771-9993/406-101	771-9993/406-102	1
2 m	771-9993/406-201	771-9993/406-202	1
3 m	771-9993/406-301	771-9993/406-302	1

Accessories; for all products on this page



Locking lever; for flying leads; manually operated



Locking lever; for flying leads; tool operated



Mounting carrier; for flying leads; 2- to 5-pole

Color	Item No.	PU (SPU)
● black	770-101	100 (25)
○ white	770-121	100 (25)

Color	Item No.	PU (SPU)
● black	770-111	100 (25)
○ white	770-131	100 (25)

Color	Item No.	PU
● black	770-310	25

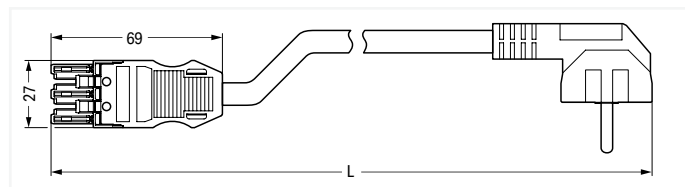
PU = packaging unit; SPU = subpackaging unit; Dimensions in mm

Cable assembly ▶ WINSTA® MIDI ▶ 771 Series

Pole number: 3 ▶ Fire class per EN 50575: E_{ca} ▶ Coding: A ▶ Protection type: IP20 ▶ Marking: L ⊕ N
 ▶ PVC ▶ General mains applications



2.5 mm² ▶ H05VV-F 3G2.5 ▶ Adapter cable ▶ Socket - SCHUKO plug, angled			
Total length	Connector color / Strain relief color		PU
	black / black	white / white	
1 m	771-9993/307-101	771-9993/307-102	1
2 m	771-9993/307-201	771-9993/307-202	1
3 m	771-9993/307-301	771-9993/307-302	1



2

Accessories; for all products on this page



Locking lever; for flying leads; manually operated



Locking lever; for flying leads; tool operated



Mounting carrier; for flying leads; 2- to 5-pole

Color	Item No.	PU (SPU)
● black	770-101	100 (25)
○ white	770-121	100 (25)

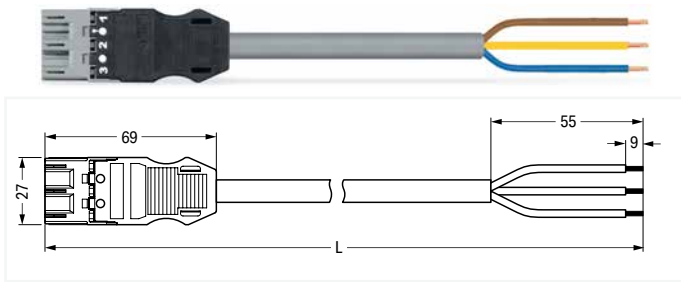
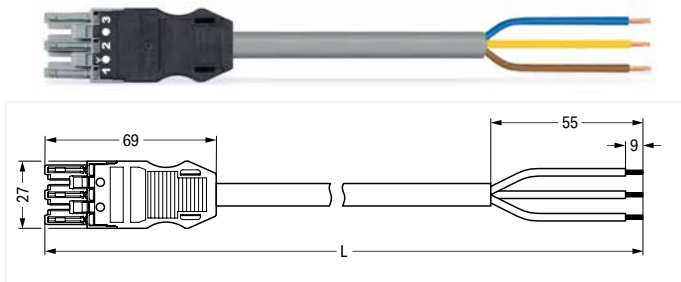
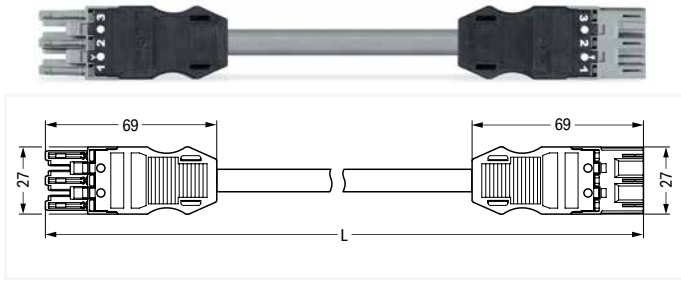
Color	Item No.	PU (SPU)
● black	770-111	100 (25)
○ white	770-131	100 (25)

Color	Item No.	PU
● black	770-310	25

PU = packaging unit; SPU = subpackaging unit; Dimensions in mm

Cable assembly ▶ WINSTA® MIDI ▶ 771 Series

Pole number: 3 ▶ Fire class per EN 50575: E_{ca} ▶ Coding: B ▶ Protection type: IP20 ▶ 1 mm² ▶ Marking: 1 2 3 ▶ PVC ▶ H05VV-F 3x1 ▶ Control technology



Interconnecting cable ▶ Socket - Plug				
Total length	Connector color / Strain relief color			PU
	gray / black	light green / black	pink / black	
1 m	771-9993/005-103	771-9993/005-105	771-9993/005-107	1
2 m	771-9993/005-203	771-9993/005-205	771-9993/005-207	1
3 m	771-9993/005-303	771-9993/005-305	771-9993/005-307	1
4 m	771-9993/005-403	771-9993/005-405	771-9993/005-407	1
5 m	771-9993/005-503	771-9993/005-505	771-9993/005-507	1
6 m	771-9993/005-603	771-9993/005-605	771-9993/005-607	1
7 m	771-9993/005-703	771-9993/005-705	771-9993/005-707	1
8 m	771-9993/005-803	771-9993/005-805	771-9993/005-807	1

Connecting cable ▶ Socket - free end ▶ Strip length (outer insulation): 55 mm				
Total length	Connector color / Strain relief color			PU
	gray / black	light green / black	pink / black	
1 m	771-9993/105-103	771-9993/105-105	771-9993/105-107	1
2 m	771-9993/105-203	771-9993/105-205	771-9993/105-207	1
3 m	771-9993/105-303	771-9993/105-305	771-9993/105-307	1
4 m	771-9993/105-403	771-9993/105-405	771-9993/105-407	1
5 m	771-9993/105-503	771-9993/105-505	771-9993/105-507	1
6 m	771-9993/105-603	771-9993/105-605	771-9993/105-607	1
7 m	771-9993/105-703	771-9993/105-705	771-9993/105-707	1
8 m	771-9993/105-803	771-9993/105-805	771-9993/105-807	1

Connecting cable ▶ Plug - free end ▶ Strip length (outer insulation): 55 mm				
Total length	Connector color / Strain relief color			PU
	gray / black	light green / black	pink / black	
1 m	771-9993/205-103	771-9993/205-105	771-9993/205-107	1
2 m	771-9993/205-203	771-9993/205-205	771-9993/205-207	1
3 m	771-9993/205-303	771-9993/205-305	771-9993/205-307	1
4 m	771-9993/205-403	771-9993/205-405	771-9993/205-407	1
5 m	771-9993/205-503	771-9993/205-505	771-9993/205-507	1
6 m	771-9993/205-603	771-9993/205-605	771-9993/205-607	1
7 m	771-9993/205-703	771-9993/205-705	771-9993/205-707	1
8 m	771-9993/205-803	771-9993/205-805	771-9993/205-807	1

2

Accessories; for all products on this page



Locking lever; for flying leads; manually operated



Locking lever; for flying leads; tool operated



Mounting carrier; for flying leads; 2- to 5-pole

Color	Item No.	PU (SPU)
● black	770-101	100 (25)
○ white	770-121	100 (25)

Color	Item No.	PU (SPU)
● black	770-111	100 (25)
○ white	770-131	100 (25)

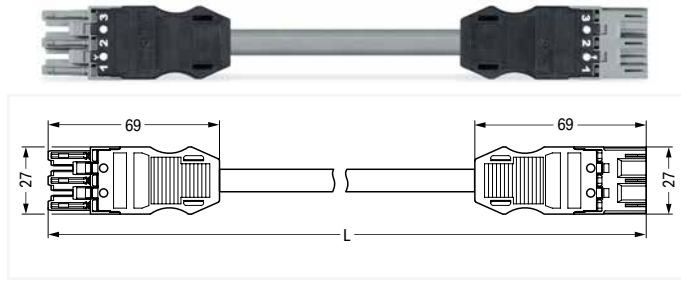
Color	Item No.	PU
● black	770-310	25

PU = packaging unit; SPU = subpackaging unit; Dimensions in mm

Cable assembly ▶ WINSTA® MIDI ▶ 771 Series

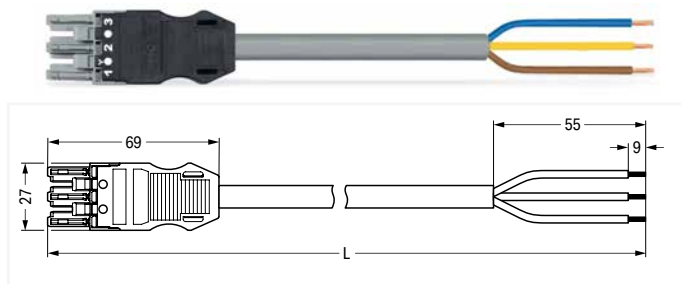
Pole number: 3 ▶ Fire class per EN 50575: E_{ca} ▶ Coding: B ▶ Protection type: IP20 ▶ 1.5 mm² ▶

Marking: 1 2 3 ▶ PVC ▶ H05VV-F 3x1.5 ▶ Control technology

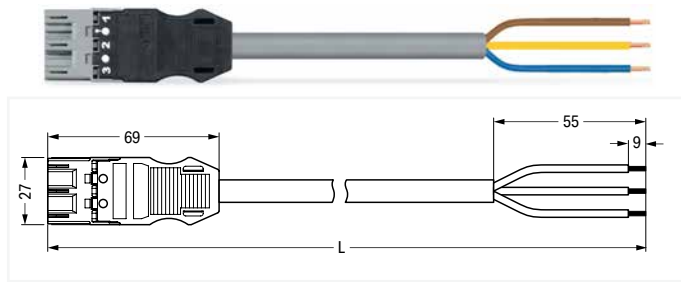


Interconnecting cable ▶ Socket - Plug				
Total length	Connector color / Strain relief color			PU
	gray / black	light green / black	pink / black	
1 m	771-9993/006-103	771-9993/006-105	771-9993/006-107	1
2 m	771-9993/006-203	771-9993/006-205	771-9993/006-207	1
3 m	771-9993/006-303	771-9993/006-305	771-9993/006-307	1
4 m	771-9993/006-403	771-9993/006-405	771-9993/006-407	1
5 m	771-9993/006-503	771-9993/006-505	771-9993/006-507	1
6 m	771-9993/006-603	771-9993/006-605	771-9993/006-607	1
7 m	771-9993/006-703	771-9993/006-705	771-9993/006-707	1
8 m	771-9993/006-803	771-9993/006-805	771-9993/006-807	1

2

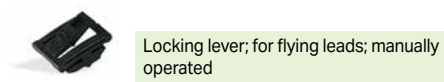


Connecting cable ▶ Socket - free end ▶ Strip length (outer insulation): 55 mm				
Total length	Connector color / Strain relief color			PU
	gray / black	light green / black	pink / black	
1 m	771-9993/106-103	771-9993/106-105	771-9993/106-107	1
2 m	771-9993/106-203	771-9993/106-205	771-9993/106-207	1
3 m	771-9993/106-303	771-9993/106-305	771-9993/106-307	1
4 m	771-9993/106-403	771-9993/106-405	771-9993/106-407	1
5 m	771-9993/106-503	771-9993/106-505	771-9993/106-507	1
6 m	771-9993/106-603	771-9993/106-605	771-9993/106-607	1
7 m	771-9993/106-703	771-9993/106-705	771-9993/106-707	1
8 m	771-9993/106-803	771-9993/106-805	771-9993/106-807	1

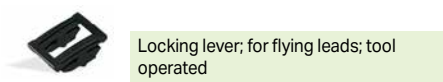


Connecting cable ▶ Plug - free end ▶ Strip length (outer insulation): 55 mm				
Total length	Connector color / Strain relief color			PU
	gray / black	light green / black	pink / black	
1 m	771-9993/206-103	771-9993/206-105	771-9993/206-107	1
2 m	771-9993/206-203	771-9993/206-205	771-9993/206-207	1
3 m	771-9993/206-303	771-9993/206-305	771-9993/206-307	1
4 m	771-9993/206-403	771-9993/206-405	771-9993/206-407	1
5 m	771-9993/206-503	771-9993/206-505	771-9993/206-507	1
6 m	771-9993/206-603	771-9993/206-605	771-9993/206-607	1
7 m	771-9993/206-703	771-9993/206-705	771-9993/206-707	1
8 m	771-9993/206-803	771-9993/206-805	771-9993/206-807	1

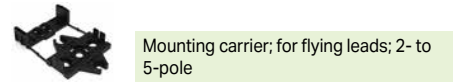
Accessories; for all products on this page



Locking lever; for flying leads; manually operated



Locking lever; for flying leads; tool operated



Mounting carrier; for flying leads; 2- to 5-pole

Color	Item No.	PU (SPU)
● black	770-101	100 (25)
○ white	770-121	100 (25)

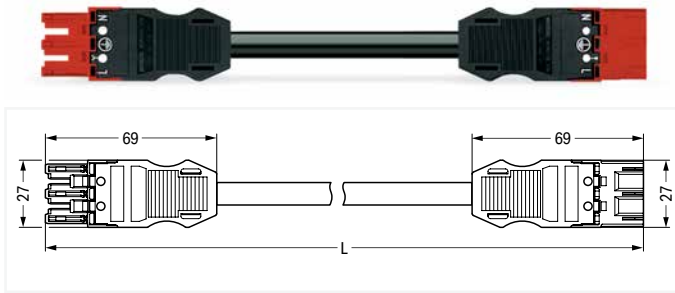
Color	Item No.	PU (SPU)
● black	770-111	100 (25)
○ white	770-131	100 (25)

Color	Item No.	PU
● black	770-310	25

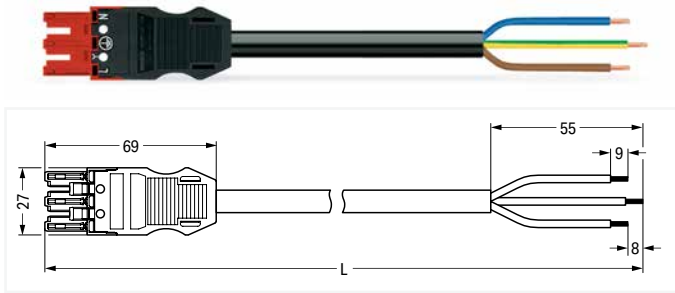
PU = packaging unit; SPU = subpackaging unit; Dimensions in mm

Cable assembly ▶ WINSTA® MIDI ▶ 771 Series

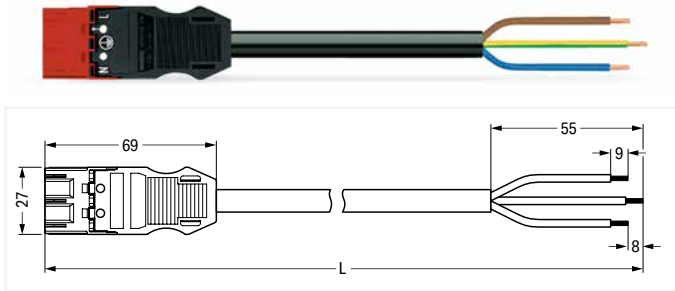
Pole number: 3 ▶ Fire class per EN 50575: E_{ca} ▶ Coding: P ▶ Protection type: IP20 ▶ 1.5 mm² ▶ Marking: L ⊕ N ▶ PVC ▶ H05VV-F 3G1.5 ▶ EDV (UPS)



Total length	Connector color / Strain relief color		PU
	red / black	red / white	
1 m	771-9973/006-101	771-9973/006-102	1
2 m	771-9973/006-201	771-9973/006-202	1
3 m	771-9973/006-301	771-9973/006-302	1
4 m	771-9973/006-401	771-9973/006-402	1
5 m	771-9973/006-501	771-9973/006-502	1
6 m	771-9973/006-601	771-9973/006-602	1
7 m	771-9973/006-701	771-9973/006-702	1
8 m	771-9973/006-801	771-9973/006-802	1



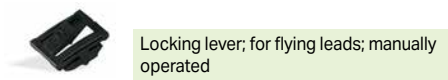
Total length	Connector color / Strain relief color		PU
	red / black	red / white	
1 m	771-9973/106-101	771-9973/106-102	1
2 m	771-9973/106-201	771-9973/106-202	1
3 m	771-9973/106-301	771-9973/106-302	1
4 m	771-9973/106-401	771-9973/106-402	1
5 m	771-9973/106-501	771-9973/106-502	1
6 m	771-9973/106-601	771-9973/106-602	1
7 m	771-9973/106-701	771-9973/106-702	1
8 m	771-9973/106-801	771-9973/106-802	1



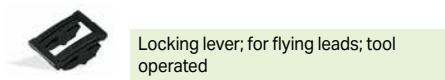
Total length	Connector color / Strain relief color		PU
	red / black	red / white	
1 m	771-9973/206-101	771-9973/206-102	1
2 m	771-9973/206-201	771-9973/206-202	1
3 m	771-9973/206-301	771-9973/206-302	1
4 m	771-9973/206-401	771-9973/206-402	1
5 m	771-9973/206-501	771-9973/206-502	1
6 m	771-9973/206-601	771-9973/206-602	1
7 m	771-9973/206-701	771-9973/206-702	1
8 m	771-9973/206-801	771-9973/206-802	1

2

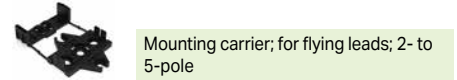
Accessories; for all products on this page



Locking lever; for flying leads; manually operated



Locking lever; for flying leads; tool operated



Mounting carrier; for flying leads; 2- to 5-pole

Color	Item No.	PU (SPU)
● black	770-101	100 (25)
○ white	770-121	100 (25)

Color	Item No.	PU (SPU)
● black	770-111	100 (25)
○ white	770-131	100 (25)

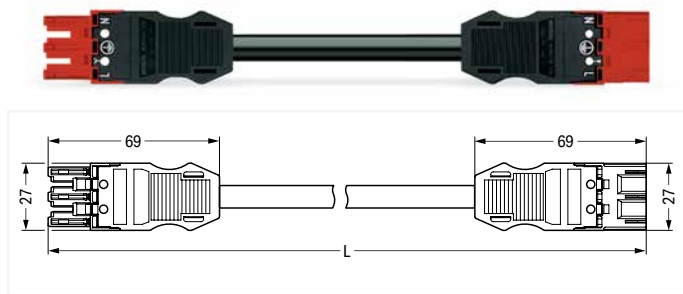
Color	Item No.	PU
● black	770-310	25

PU = packaging unit; SPU = subpackaging unit; Dimensions in mm

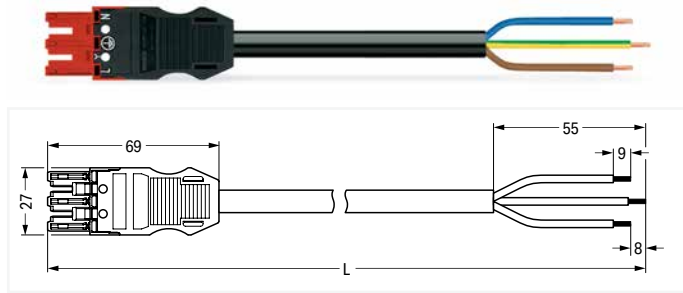
Cable assembly ▶ WINSTA® MIDI ▶ 771 Series

Pole number: 3 ▶ Fire class per EN 50575: E_{ca} ▶ Coding: P ▶ Protection type: IP20 ▶ 1.5 mm² ▶ Marking: L ⊕ N ▶ Halogen-free ▶ H05Z1Z1-F 3G1.5 ▶ EDV (UPS)

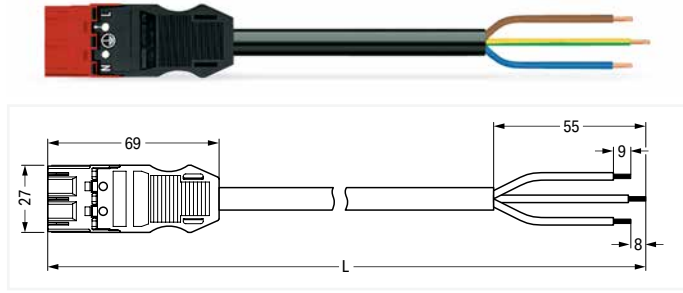
2



Interconnecting cable ▶ Socket - Plug			
Total length	Connector color / Strain relief color		PU
	red / black	red / white	
1 m	771-9973/016-101	771-9973/016-102	1
2 m	771-9973/016-201	771-9973/016-202	1
3 m	771-9973/016-301	771-9973/016-302	1
4 m	771-9973/016-401	771-9973/016-402	1
5 m	771-9973/016-501	771-9973/016-502	1
6 m	771-9973/016-601	771-9973/016-602	1
7 m	771-9973/016-701	771-9973/016-702	1
8 m	771-9973/016-801	771-9973/016-802	1






Connecting cable ▶ Socket - free end ▶ Strip length (outer insulation): 55 mm			
Total length	Connector color / Strain relief color		PU
	red / black	red / white	
1 m	771-9973/116-101	771-9973/116-102	1
2 m	771-9973/116-201	771-9973/116-202	1
3 m	771-9973/116-301	771-9973/116-302	1
4 m	771-9973/116-401	771-9973/116-402	1
5 m	771-9973/116-501	771-9973/116-502	1
6 m	771-9973/116-601	771-9973/116-602	1
7 m	771-9973/116-701	771-9973/116-702	1
8 m	771-9973/116-801	771-9973/116-802	1



Connecting cable ▶ Plug - free end ▶ Strip length (outer insulation): 55 mm			
Total length	Connector color / Strain relief color		PU
	red / black	red / white	
1 m	771-9973/216-101	771-9973/216-102	1
2 m	771-9973/216-201	771-9973/216-202	1
3 m	771-9973/216-301	771-9973/216-302	1
4 m	771-9973/216-401	771-9973/216-402	1
5 m	771-9973/216-501	771-9973/216-502	1
6 m	771-9973/216-601	771-9973/216-602	1
7 m	771-9973/216-701	771-9973/216-702	1
8 m	771-9973/216-801	771-9973/216-802	1

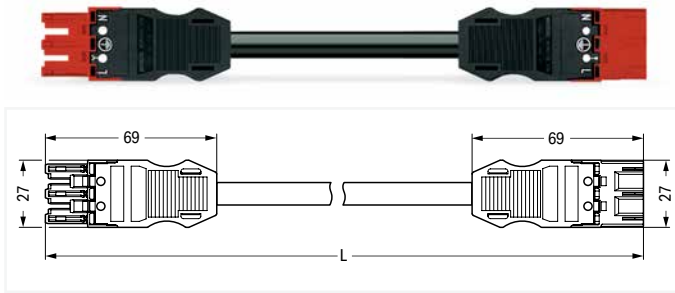
Accessories; for all products on this page

 Locking lever; for flying leads; manually operated			 Locking lever; for flying leads; tool operated			 Mounting carrier; for flying leads; 2- to 5-pole		
Color	Item No.	PU (SPU)	Color	Item No.	PU (SPU)	Color	Item No.	PU
● black	770-101	100 (25)	● black	770-111	100 (25)	● black	770-310	25
○ white	770-121	100 (25)	○ white	770-131	100 (25)			

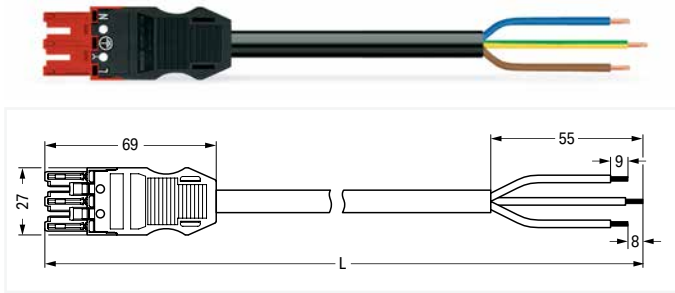
PU = packaging unit; SPU = subpackaging unit; Dimensions in mm

Cable assembly ▶ WINSTA® MIDI ▶ 771 Series

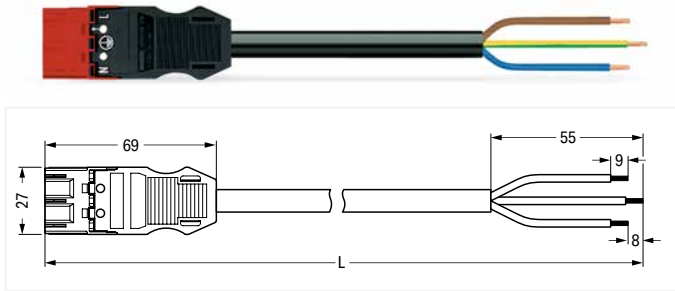
Pole number: 3 ▶ Fire class per EN 50575: E_{ca} ▶ Coding: P ▶ Protection type: IP20 ▶ 2.5 mm² ▶ Marking: L ⊕ N ▶ PVC ▶ H05VV-F 3G2.5 ▶ EDV (UPS)



Total length	Connector color / Strain relief color		PU
	red / black	red / white	
1 m	771-9973/007-101	771-9973/007-102	1
2 m	771-9973/007-201	771-9973/007-202	1
3 m	771-9973/007-301	771-9973/007-302	1
4 m	771-9973/007-401	771-9973/007-402	1
5 m	771-9973/007-501	771-9973/007-502	1
6 m	771-9973/007-601	771-9973/007-602	1
7 m	771-9973/007-701	771-9973/007-702	1
8 m	771-9973/007-801	771-9973/007-802	1



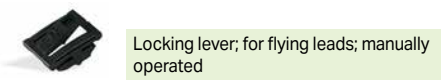
Total length	Connector color / Strain relief color		PU
	red / black	red / white	
1 m	771-9973/107-101	771-9973/107-102	1
2 m	771-9973/107-201	771-9973/107-202	1
3 m	771-9973/107-301	771-9973/107-302	1
4 m	771-9973/107-401	771-9973/107-402	1
5 m	771-9973/107-501	771-9973/107-502	1
6 m	771-9973/107-601	771-9973/107-602	1
7 m	771-9973/107-701	771-9973/107-702	1
8 m	771-9973/107-801	771-9973/107-802	1



Total length	Connector color / Strain relief color		PU
	red / black	red / white	
1 m	771-9973/207-101	771-9973/207-102	1
2 m	771-9973/207-201	771-9973/207-202	1
3 m	771-9973/207-301	771-9973/207-302	1
4 m	771-9973/207-401	771-9973/207-402	1
5 m	771-9973/207-501	771-9973/207-502	1
6 m	771-9973/207-601	771-9973/207-602	1
7 m	771-9973/207-701	771-9973/207-702	1
8 m	771-9973/207-801	771-9973/207-802	1

2

Accessories; for all products on this page



Locking lever; for flying leads; manually operated



Locking lever; for flying leads; tool operated



Mounting carrier; for flying leads; 2- to 5-pole

Color	Item No.	PU (SPU)
● black	770-101	100 (25)
○ white	770-121	100 (25)

Color	Item No.	PU (SPU)
● black	770-111	100 (25)
○ white	770-131	100 (25)

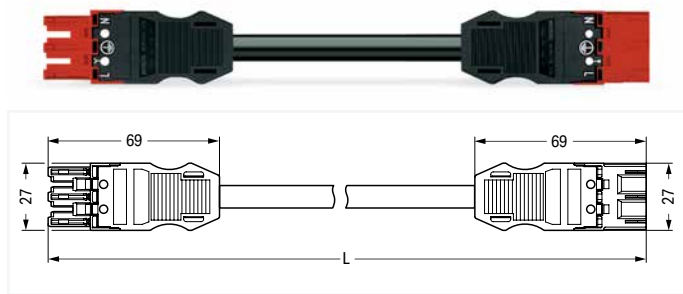
Color	Item No.	PU
● black	770-310	25

PU = packaging unit; SPU = subpackaging unit; Dimensions in mm

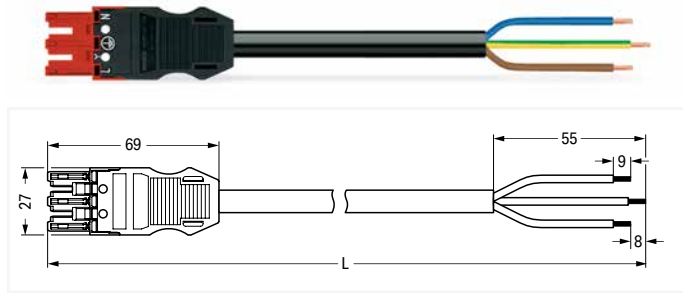
Cable assembly ▶ WINSTA® MIDI ▶ 771 Series

Pole number: 3 ▶ Fire class per EN 50575: E_{ca} ▶ Coding: P ▶ Protection type: IP20 ▶ 2.5 mm² ▶ Marking: L ⊕ N ▶ Halogen-free ▶ H05Z1Z1-F 3G2.5 ▶ EDV (UPS)

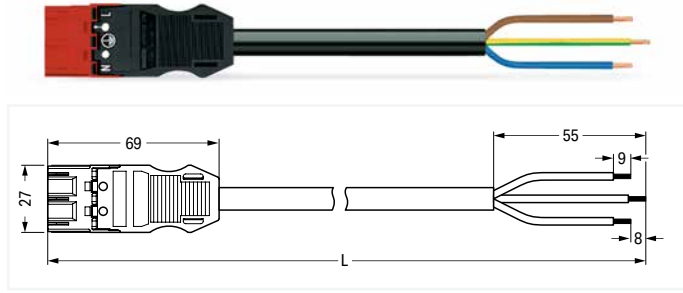
2



Interconnecting cable ▶ Socket - Plug			
Total length	Connector color / Strain relief color		PU
	red / black	red / white	
1 m	771-9973/017-101	771-9973/017-102	1
2 m	771-9973/017-201	771-9973/017-202	1
3 m	771-9973/017-301	771-9973/017-302	1
4 m	771-9973/017-401	771-9973/017-402	1
5 m	771-9973/017-501	771-9973/017-502	1
6 m	771-9973/017-601	771-9973/017-602	1
7 m	771-9973/017-701	771-9973/017-702	1
8 m	771-9973/017-801	771-9973/017-802	1



Connecting cable ▶ Socket - free end ▶ Strip length (outer insulation): 55 mm			
Total length	Connector color / Strain relief color		PU
	red / black	red / white	
1 m	771-9973/117-101	771-9973/117-102	1
2 m	771-9973/117-201	771-9973/117-202	1
3 m	771-9973/117-301	771-9973/117-302	1
4 m	771-9973/117-401	771-9973/117-402	1
5 m	771-9973/117-501	771-9973/117-502	1
6 m	771-9973/117-601	771-9973/117-602	1
7 m	771-9973/117-701	771-9973/117-702	1
8 m	771-9973/117-801	771-9973/117-802	1



Connecting cable ▶ Plug - free end ▶ Strip length (outer insulation): 55 mm			
Total length	Connector color / Strain relief color		PU
	red / black	red / white	
1 m	771-9973/217-101	771-9973/217-102	1
2 m	771-9973/217-201	771-9973/217-202	1
3 m	771-9973/217-301	771-9973/217-302	1
4 m	771-9973/217-401	771-9973/217-402	1
5 m	771-9973/217-501	771-9973/217-502	1
6 m	771-9973/217-601	771-9973/217-602	1
7 m	771-9973/217-701	771-9973/217-702	1
8 m	771-9973/217-801	771-9973/217-802	1

Accessories; for all products on this page

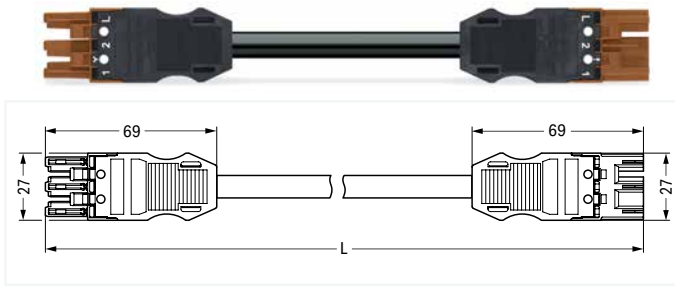
Locking lever; for flying leads; manually operated			Locking lever; for flying leads; tool operated			Mounting carrier; for flying leads; 2- to 5-pole		
Color	Item No.	PU (SPU)	Color	Item No.	PU (SPU)	Color	Item No.	PU
● black	770-101	100 (25)	● black	770-111	100 (25)	● black	770-310	25
○ white	770-121	100 (25)	○ white	770-131	100 (25)			

PU = packaging unit; SPU = subpackaging unit; Dimensions in mm

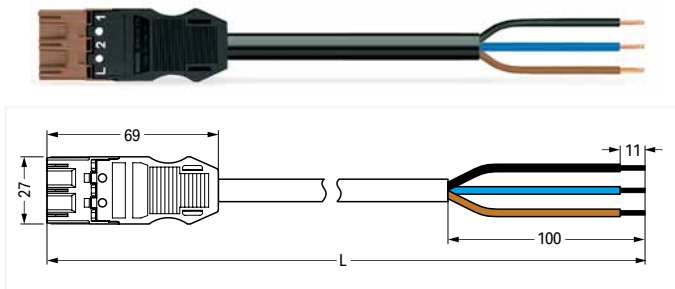
Cable assembly ▶ WINSTA® MIDI ▶ 771 Series

Pole number: 3 ▶ Fire class per EN 50575: E_{ca} ▶ Coding: S ▶ Protection type: IP20 ▶ 1.5 mm² ▶

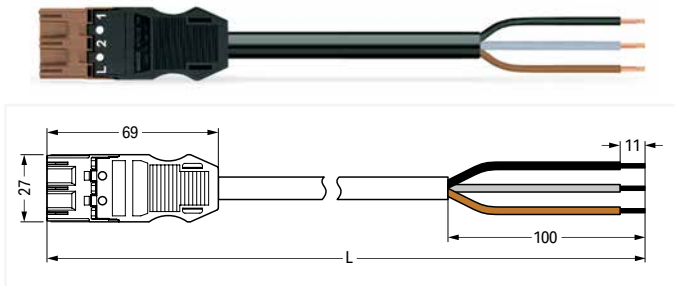
Marking: 1 2 L ▶ PVC ▶ H05VV-F 3x1.5 ▶ Switching function



Interconnecting cable ▶ Socket - Plug				
Total length	Connector color / Strain relief color			PU
	brown / black			
1 m	771-9973/006-105			1
2 m	771-9973/006-205			1
3 m	771-9973/006-305			1
4 m	771-9973/006-405			1
5 m	771-9973/006-505			1
6 m	771-9973/006-605			1
7 m	771-9973/006-705			1
8 m	771-9973/006-805			1



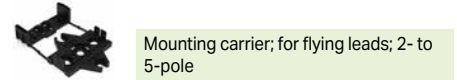
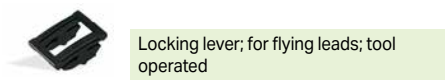
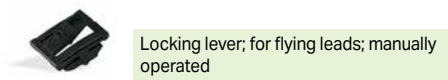
Connecting cable ▶ Plug - free end ▶ Strip length (outer insulation): 100 mm ▶ for distribution connectors (motion sensors)				
Total length	Connector color / Strain relief color			PU
	brown / black			
1 m	771-9973/206-104			1
2 m	771-9973/206-204			1
3 m	771-9973/206-304			1
4 m	771-9973/206-404			1
5 m	771-9973/206-504			1
6 m	771-9973/206-604			1
7 m	771-9973/206-704			1
8 m	771-9973/206-804			1



Connecting cable ▶ Plug - free end ▶ Strip length (outer insulation): 100 mm ▶ for distribution connectors; series and two-way circuits				
Total length	Connector color / Strain relief color			PU
	brown / black			
1 m	771-9973/206-105			1
2 m	771-9973/206-205			1
3 m	771-9973/206-305			1
4 m	771-9973/206-405			1
5 m	771-9973/206-505			1
6 m	771-9973/206-605			1
7 m	771-9973/206-705			1
8 m	771-9973/206-805			1

2

Accessories; for all products on this page



Color	Item No.	PU (SPU)
● black	770-101	100 (25)
○ white	770-121	100 (25)

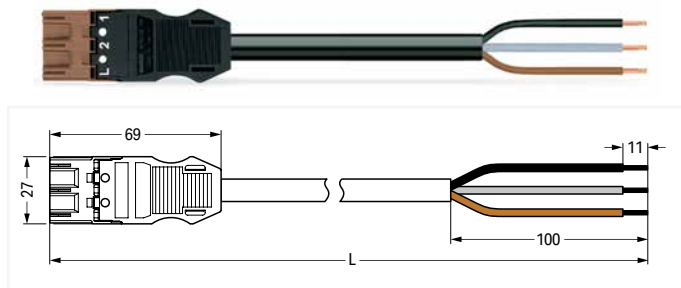
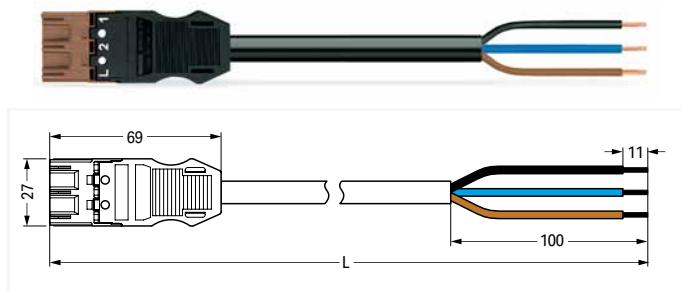
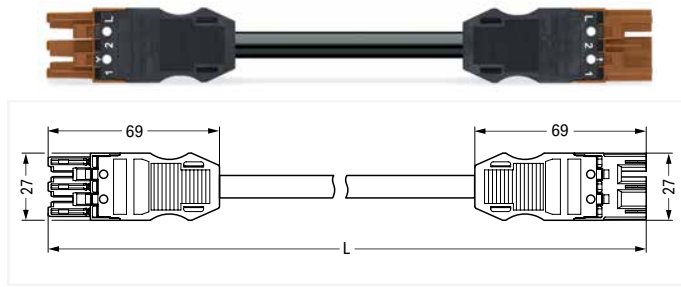
Color	Item No.	PU (SPU)
● black	770-111	100 (25)
○ white	770-131	100 (25)

Color	Item No.	PU
● black	770-310	25

PU = packaging unit; SPU = subpackaging unit; Dimensions in mm

Cable assembly ▶ WINSTA® MIDI ▶ 771 Series

Pole number: 3 ▶ Fire class per EN 50575: E_{ca} ▶ Coding: S ▶ Protection type: IP20 ▶ 1.5 mm² ▶ Marking: 1 2 L ▶ Halogen-free ▶ H05Z1Z1-F 3x1.5 ▶ Switching function



Interconnecting cable ▶ Socket - Plug				
Total length	Connector color / Strain relief color			PU
	brown / black			
1 m	771-9973/016-105			1
2 m	771-9973/016-205			1
3 m	771-9973/016-305			1
4 m	771-9973/016-405			1
5 m	771-9973/016-505			1
6 m	771-9973/016-605			1
7 m	771-9973/016-705			1
8 m	771-9973/016-805			1

Connecting cable ▶ Plug - free end ▶ Strip length (outer insulation): 100 mm ▶ for distribution connectors (motion sensors)				
Total length	Connector color / Strain relief color			PU
	brown / black			
1 m	771-9973/216-104			1
2 m	771-9973/216-204			1
3 m	771-9973/216-304			1
4 m	771-9973/216-404			1
5 m	771-9973/216-504			1
6 m	771-9973/216-604			1
7 m	771-9973/216-704			1
8 m	771-9973/216-804			1

Connecting cable ▶ Plug - free end ▶ Strip length (outer insulation): 100 mm ▶ for distribution connectors; series and two-way circuits				
Total length	Connector color / Strain relief color			PU
	brown / black			
1 m	771-9973/216-105			1
2 m	771-9973/216-205			1
3 m	771-9973/216-305			1
4 m	771-9973/216-405			1
5 m	771-9973/216-505			1
6 m	771-9973/216-605			1
7 m	771-9973/216-705			1
8 m	771-9973/216-805			1

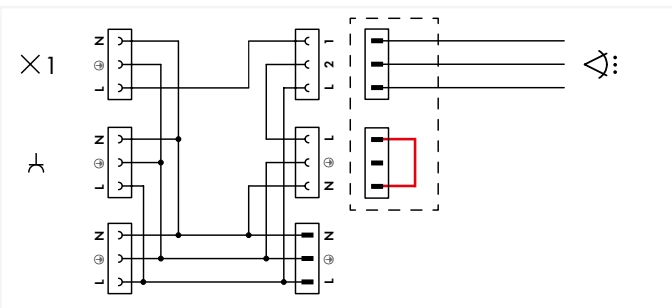
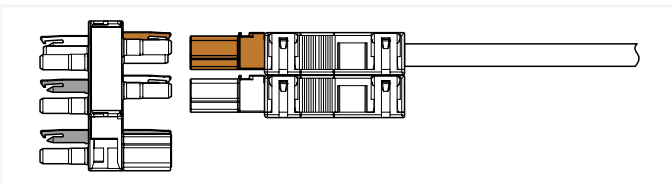
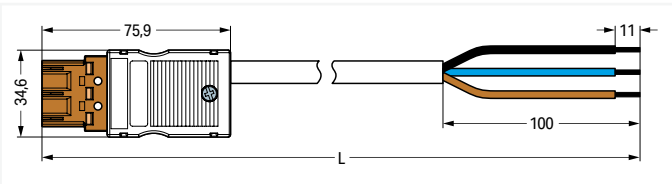
Accessories; for all products on this page

Locking lever; for flying leads; manually operated			Locking lever; for flying leads; tool operated			Mounting carrier; for flying leads; 2- to 5-pole		
Color	Item No.	PU (SPU)	Color	Item No.	PU (SPU)	Color	Item No.	PU
● black	770-101	100 (25)	● black	770-111	100 (25)	● black	770-310	25
○ white	770-121	100 (25)	○ white	770-131	100 (25)			

PU = packaging unit; SPU = subpackaging unit; Dimensions in mm

Cable assembly ▶ WINSTA® MIDI ▶ 771 Series

Pole number: 3 ▶ Fire class per EN 50575: E_{ca} ▶ Coding: S ▶ Protection type : IP20 ▶ Wire cross-section: 1.5 mm² ▶ PVC ▶ H05VV-F 3x1.5 ▶ Strip length (outer insulation): 100 mm ▶ Switching function



This cable combines a standard S-coded cable with an A-coded shorting plug. Both strain relief housings are locked together. A motion detector or switch with signal lamp can be directly connected using a cable equipped with 770-637 Distribution Connector.

Connecting cable ▶ Plug; Plug - free end ▶ for distribution connectors (770-637 and 770-687)

Total length	Connector color / Strain relief color			PU
	brown / black			
3 m	771-5001/106-000			1
4 m	771-5001/107-000			1

2

Accessories; for all products on this page



Locking lever; for flying leads; manually operated



Locking lever; for flying leads; tool operated

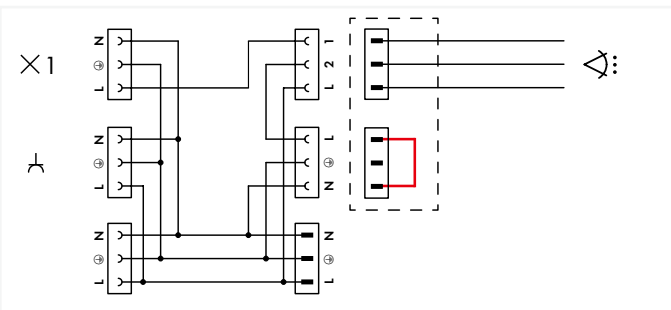
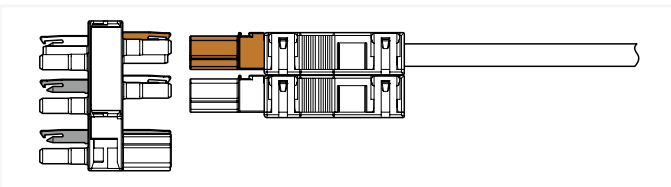
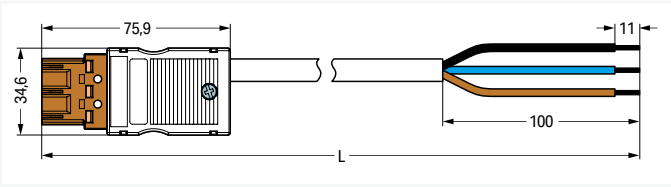
Color	Item No.	PU (SPU)
● black	770-101	100 (25)
○ white	770-121	100 (25)

Color	Item No.	PU (SPU)
● black	770-111	100 (25)
○ white	770-131	100 (25)

PU = packaging unit; SPU = subpackaging unit; Dimensions in mm

Cable assembly ▶ WINSTA® MIDI ▶ 771 Series

Pole number: 3 ▶ Fire class per EN 50575: E_{ca} ▶ Coding: S ▶ Protection type : IP20 ▶ Wire cross-section: 1.5 mm² ▶ Halogen-free ▶ H05Z1Z1-F 3x1.5 ▶ Strip length (outer insulation): 100 mm ▶ Switching function



Connecting cable ▶ Plug; Plug - free end ▶ for distribution connectors (770-637 and 770-687)

Total length	Connector color / Strain relief color		PU
	brown / black		
3 m	771-5001/131-000		1
4 m	771-5001/132-000		1

This cable combines a standard S-coded cable with an A-coded shorting plug. Both strain relief housings are locked together. A motion detector or switch with signal lamp can be directly connected using a cable equipped with 770-637 Distribution Connector.

Accessories; for all products on this page



Locking lever; for flying leads; manually operated



Locking lever; for flying leads; tool operated

Color	Item No.	PU (SPU)
● black	770-101	100 (25)
○ white	770-121	100 (25)

Color	Item No.	PU (SPU)
● black	770-111	100 (25)
○ white	770-131	100 (25)

PU = packaging unit; SPU = subpackaging unit; Dimensions in mm

Pluggable connectors ▶ WINSTA® MIDI ▶ 770 Series

Pole number: 4 ▶ Number of connection points: 2 ▶ Protection type: IP20



- Protected against mismatching and maintenance-free
- Push-in CAGE CLAMP® spring pressure connection technology allows solid conductors to be simply pushed into a unit.
- Two wire connections per pole for loops or bridges
- Additional variable coding is possible.

Electrical data									
Coding	A			B			Q		
Ratings per	IEC/EN 60664-1			IEC/EN 60664-1			IEC/EN 60664-1		
Overvoltage category	III	III	II	III	III	II	III	III	II
Pollution degree	3	2	2	3	2	2	3	2	2
Nominal voltage	400 V	-	-	400 V	-	-	400 V	-	-
Rated surge voltage	6 kV	-	-	6 kV	-	-	6 kV	-	-
Rated current	25 A	-	-	25 A	-	-	32 A	-	-
Rated current (note)				25 A for 3-pole load 20 A for 4-pole load					

Connection data	
Connection technology	Push-in CAGE CLAMP®
Strip length	9 mm / 0.35 inches
Nominal cross-section	4 mm² / 12 AWG
Solid conductor	0.5 ... 4 mm² / 20 ... 12 AWG
Solid conductor; push-in termination	1.5 ... 4 mm² / 16 ... 12 AWG
Stranded conductor	0.5 ... 2.5 mm² / 20 ... 14 AWG
Fine-stranded conductor	0.5 ... 4 mm² / 20 ... 12 AWG
Fine-stranded conductor; with insulated ferrule	0.25 ... 1.5 mm² / 20 ... 16 AWG
Fine-stranded conductor; with uninsulated ferrule	0.25 ... 2.5 mm² / 20 ... 14 AWG
Fine-stranded conductor; with ferrule; push-in termination	1.5 mm² / 16 AWG

Material data	
Material group	I
Insulation material (main housing)	Polyamide (PA66)
Flammability class per UL94	V0
Clamping spring material	Chrome-nickel spring steel (CrNi)
Contact material	Copper or copper alloy; surface-treated
Contact Plating	Tin

Mechanical data	
Number of mating cycles	200, without resistive load
Mating force of a plug-in connection	approx. 20 ... 70 N (depending on pole number)
Unmating force of a plug-in connection	Unlocked: approx. 20 ... 70 N (depending on pole number)
Retention force of a plug-in connection	Locked: > 80 N
Protection type	IP20
Note on protection type	When mated and secured with a strain relief housing: IP2x°C (These compact connectors are not designed for use in open, easily accessible areas!)

Environmental requirements	
Processing temperature	-5 ... +40 °C
Continuous operating temperature	-35 ... +85 °C
Note on continuous operating temperature	Insulating parts for temperatures ≤ 105 °C

Note:

All WINSTA® components are 100% protected against mismatching when:

- plugging different numbers of poles
- plugging while rotated 180
- plugging while laterally staggered
- plugging one pole

All connectors for mounted installations (snap-in versions for lighting fixtures or devices, all types of PCB and distribution connectors) are factory-equipped with locking levers to ensure plugs and sockets are securely locked. Additional locking levers are only required for flying leads (plug/socket).

Cover	Page 197
Installation	Page 385
Marking	Page 399
Tool	Page 394
See technical section for further information	
Approvals and corresponding ratings, visit www.wago.com	

Pluggable connectors ► WINSTA® MIDI ► 770 Series

Pole number: 4 ► Number of connection points: 2 ► Protection type: IP20

Female connector/socket ► Strain relief housing ► Strip length (outer insulation): 55 mm
► Connectable sheathed cable diameter: 9 ... 13 mm

Male connector/plug ► Strain relief housing ► Strip length (outer insulation): 55 mm ►
Connectable sheathed cable diameter: 9 ... 13 mm



770-104

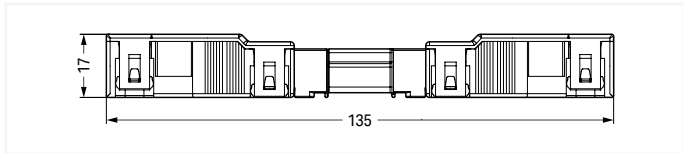
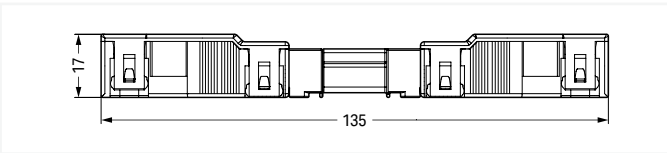
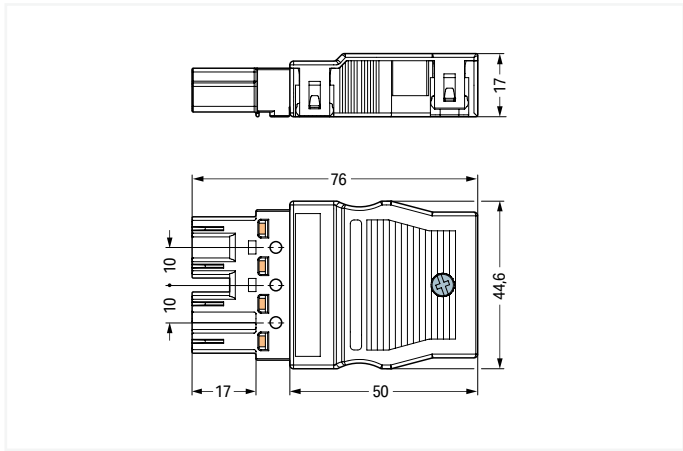
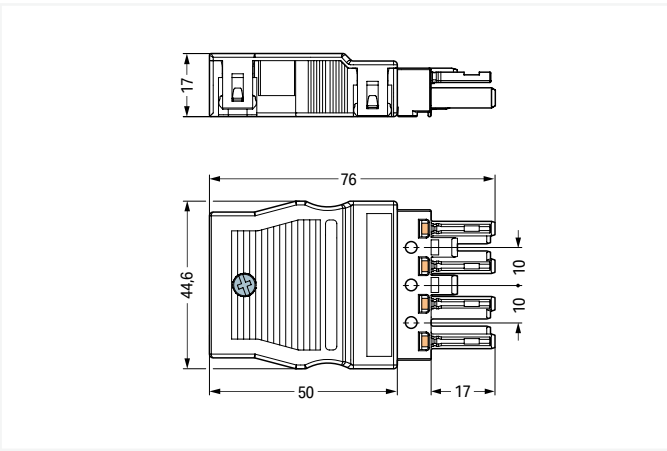
770-114

General mains applications

Color	Coding	Marking	Item No.	PU
● black	A	N ⊕ 2/L 1/L'	770-104	25
○ white	A	N ⊕ 2/L 1/L'	770-124	25

General mains applications

Color	Coding	Marking	Item No.	PU
● black	A	1/L' 2/L ⊕ N	770-114	25
○ white	A	1/L' 2/L ⊕ N	770-134	25



Overall length when mated

Overall length when mated

Item-Specific Accessories

Item-Specific Accessories



Lockout cap; for socket; separable;
Pole number: 12

Color	Item No.	PU
● black	770-201	100
○ white	770-221	100



Lockout cap; for plugs; separable; Pole
number: 5

Color	Item No.	PU
● yellow	770-360	100

Accessories; for all products on this page



Locking lever; for flying leads; manually
operated

Color	Item No.	PU (SPU)
● black	770-101	100 (25)
○ white	770-121	100 (25)



Locking lever; for flying leads; tool
operated

Color	Item No.	PU (SPU)
● black	770-111	100 (25)
○ white	770-131	100 (25)

PU = packaging unit; SPU = subpackaging unit; Dimensions in mm

Pluggable connectors ▶ WINSTA® MIDI ▶ 770 Series

Pole number: 4 ▶ Number of connection points: 2 ▶ Protection type: IP20

Female connector/socket



2

770-204

General mains applications

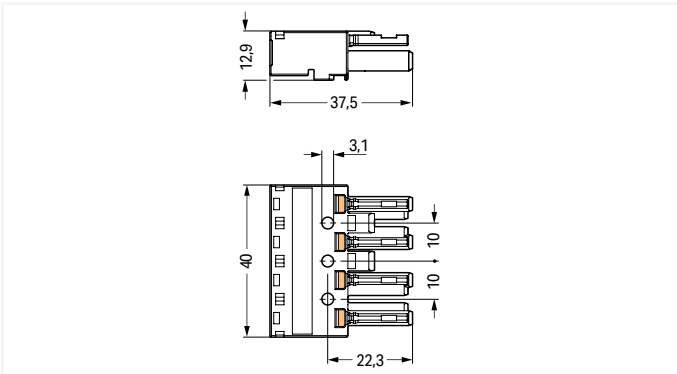
Color	Coding	Marking	Item No.	PU
● black	A	N ⊕ 2/L 1/L'	770-204	50
○ white	A	N ⊕ 2/L 1/L'	770-224	50

Control technology


Color	Coding	Marking	Item No.	PU
○ gray	B	1 2 3 4	770-244	50
○ gray	B	N ⊕ 2/L 1/L'	770-244/060-000	50
○ gray	B	3 PE 2 1	770-244/062-000	50
○ gray	B	2L ⊕ 1L L	770-244/064-000	50
● light green	B	1 2 3 4	770-264	50
● light green	B	U- S U+ X/Y	770-264/071-000	50
● light green	B	U- U+ DI AI	770-264/072-000	50
● light green	B	1 ⊕ 2 3	770-264/073-000	50
● pink	B	1 2 3 4	770-284	50
● pink	B	1 2 5 3	770-284/081-000	50

for "Clean Ground" applications


Color	Coding	Marking	Item No.	PU
● green	Q	N PE1 PE2 L	770-1324	50




Accessories; for all products on this page

 Locking lever; for flying leads; manually operated


Color	Item No.	PU (SPU)
● black	770-101	100 (25)
○ white	770-121	100 (25)

 Locking lever; for flying leads; tool operated


Color	Item No.	PU (SPU)
● black	770-111	100 (25)
○ white	770-131	100 (25)

 Lockout cap; for socket; separable; Pole number: 12

Color	Item No.	PU
● black	770-201	100
○ white	770-221	100

 Strain relief housing; Connectable sheathed cable diameter: 9 ... 13 mm; Strip length (outer insulation): 55 mm

Color	Item No.	PU
● black	770-504	25
○ white	770-514	25

 Strain relief housing; Connectable sheathed cable diameter: 5 ... 9 mm; Strip length (outer insulation): 55 mm

Color	Item No.	PU
● black	770-504/023-000	25
○ white	770-514/023-000	25

PU = packaging unit; SPU = subpackaging unit; Dimensions in mm

Pluggable connectors ▶ WINSTA® MIDI ▶ 770 Series

Pole number: 4 ▶ Number of connection points: 2 ▶ Protection type: IP20

Male connector/plug



770-214

General mains applications

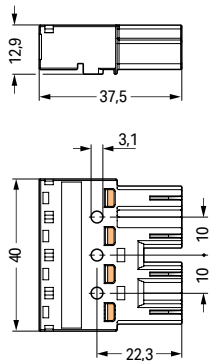
Color	Coding	Marking	Item No.	PU
● black	A	1/L' 2/L' ⊕ N	770-214	50
○ white	A	1/L' 2/L' ⊕ N	770-234	50

Control technology

Color	Coding	Marking	Item No.	PU
○ gray	B	4 3 2 1	770-254	50
○ gray	B	1/L' 2/L' ⊕ N	770-254/060-000	50
○ gray	B	1 2 PE 3	770-254/062-000	50
○ gray	B	L 1L' ⊕ 2L	770-254/064-000	50
● light green	B	4 3 2 1	770-274	50
● light green	B	X/Y U+ S U-	770-274/071-000	50
● light green	B	AI DI U+ U-	770-274/072-000	50
● light green	B	3 2 ⊕ 1	770-274/073-000	50
● pink	B	4 3 2 1	770-294	50
● pink	B	3 5 2 1	770-294/081-000	50

for "Clean Ground" applications

Color	Coding	Marking	Item No.	PU
● green	Q	L PE2 PE1 N	770-1334	50



Accessories; for all products on this page



Locking lever; for flying leads; manually operated

Color	Item No.	PU (SPU)
● black	770-101	100 (25)
○ white	770-121	100 (25)



Locking lever; for flying leads; tool operated

Color	Item No.	PU (SPU)
● black	770-111	100 (25)
○ white	770-131	100 (25)



Strain relief housing; Connectable sheathed cable diameter: 9 ... 13 mm; Strip length (outer insulation): 55 mm

Color	Item No.	PU
● black	770-504	25
○ white	770-514	25



Strain relief housing; Connectable sheathed cable diameter: 5 ... 9 mm; Strip length (outer insulation): 55 mm

Color	Item No.	PU
● black	770-504/023-000	25
○ white	770-514/023-000	25



Lockout cap; for plugs; separable; Pole number: 5

Color	Item No.	PU
● yellow	770-360	100

PU = packaging unit; SPU = subpackaging unit; Dimensions in mm

Snap-in device connector ▶ WINSTA® MIDI ▶ 770 Series

Pole number: 4 ▶ Number of connection points: 2 ▶ Protection type: IP20



- Protected against mismatching and maintenance-free
- Push-in CAGE CLAMP® spring pressure connection technology allows solid conductors to be simply pushed into a unit.
- Two wire connections per pole for loops or bridges
- Additional variable coding is possible.

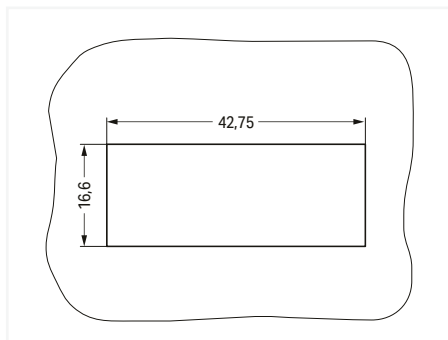


Plate thickness: 0.5 ... 2 mm
Cutout tolerance: + 0.1 mm

Please note!

Note:

The snap-in connectors must be relieved of tensile and transverse forces.

A surface finish can influence the edge radius of the cut-outs. This may affect the snap-in socket fit, so ensure an adequate fit before use. In addition, the punched edge should be on the inside for punched cutouts.

The wings of the snap-in connectors must not be mechanically stressed for a long period before use (e.g., due to a pre-locking position).

All WINSTA® components are 100% protected against mismatching when:

- plugging different numbers of poles
- plugging while rotated 180
- plugging while laterally staggered
- plugging one pole

All connectors for mounted installations (snap-in versions for lighting fixtures or devices, all types of PCB and distribution connectors) are factory-equipped with locking levers to ensure plugs and sockets are securely locked. Additional locking levers are only required for flying leads (plug/socket).

Coding Page 373

Tool Page 394

See technical section for further information

Approvals and corresponding ratings, visit www.wago.com

Electrical data									
Coding	A			B			Q		
Ratings per	IEC/EN 60664-1			IEC/EN 60664-1			IEC/EN 60664-1		
Overvoltage category	III	II	II	III	III	II	III	III	II
Pollution degree	3	2	2	3	2	2	3	2	2
Nominal voltage	400 V	-	-	400 V	-	-	400 V	-	-
Rated surge voltage	6 kV	-	-	6 kV	-	-	6 kV	-	-
Rated current	25 A	-	-	25 A	-	-	32 A	-	-
Rated current (note)				25 A for 3-pole load 20 A for 4-pole load					

Connection data	
Connection technology	Push-in CAGE CLAMP®
Strip length	9 mm / 0.35 inches
Nominal cross-section	4 mm ² / 12 AWG
Solid conductor	0.5 ... 4 mm ² / 20 ... 12 AWG
Solid conductor; push-in termination	1.5 ... 4 mm ² / 16 ... 12 AWG
Stranded conductor	0.5 ... 2.5 mm ² / 20 ... 14 AWG
Fine-stranded conductor	0.5 ... 4 mm ² / 20 ... 12 AWG
Fine-stranded conductor; with insulated ferrule	0.25 ... 1.5 mm ² / 20 ... 16 AWG
Fine-stranded conductor; with uninsulated ferrule	0.25 ... 2.5 mm ² / 20 ... 14 AWG
Fine-stranded conductor; with ferrule; push-in termination	1.5 mm ² / 16 AWG

Material data	
Insulation material (main housing)	Polyamide (PA66)
Flammability class per UL94	V0
Clamping spring material	Chrome-nickel spring steel (CrNi)
Contact material	Copper or copper alloy; surface-treated
Contact Plating	Tin

Mechanical data	
Number of mating cycles	200, without resistive load
Mating force of a plug-in connection	approx. 20 ... 70 N (depending on pole number)
Unmating force of a plug-in connection	Unlocked: approx. 20 ... 70 N (depending on pole number)
Retention force of a plug-in connection	Locked: > 80 N
Protection type	IP20
Note on protection type	When mated: IP20x (These compact connectors are not designed for use in open, easily accessible areas!)

Environmental requirements	
Processing temperature	-5 ... +40 °C
Continuous operating temperature	-35 ... +85 °C
Note on continuous operating temperature	Insulating parts for temperatures ≤ 105 °C

Snap-in device connector ▶ WINSTA® MIDI ▶ 770 Series

Pole number: 4 ▶ Number of connection points: 2 ▶ Protection type: IP20

Female connector/socket

Male connector/plug



770-704

770-714

General mains applications

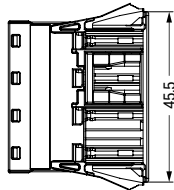
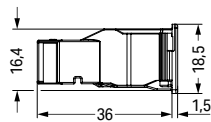
Color	Coding	Marking	Item No.	PU
● black	A	N ⊕ 2/L 1/L'	770-704	100
○ white	A	N ⊕ 2/L 1/L'	770-724	100

Control technology

Color	Coding	Marking	Item No.	PU
○ gray	B	1 2 3 4	770-744	100
○ gray	B	N ⊕ 2/L 1/L'	770-744/060-000	100
○ gray	B	3 PE 2 1	770-744/062-000	100
○ gray	B	2L ⊕ 1L L	770-744/064-000	100
● light green	B	1 2 3 4	770-764	100
● light green	B	U- S U+ X/Y	770-764/071-000	100
● light green	B	U- U+ DI AI	770-764/072-000	100
● light green	B	1 ⊕ 2 3	770-764/073-000	100
● pink	B	1 2 3 4	770-784	100
● pink	B	1 2 5 3	770-784/081-000	100

for "Clean Ground" applications

Color	Coding	Marking	Item No.	PU
● green	Q	N PE1 PE2 L	770-2324	100



Item-Specific Accessories



Lockout cap; for socket; separable; Pole number: 12

Color	Item No.	PU
● black	770-201	100
○ white	770-221	100

General mains applications

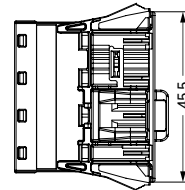
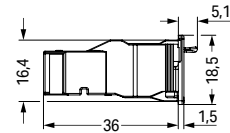
Color	Coding	Marking	Item No.	PU
● black	A	1/L' 2/L ⊕ N	770-714	100
○ white	A	1/L' 2/L ⊕ N	770-734	100

Control technology

Color	Coding	Marking	Item No.	PU
○ gray	B	4 3 2 1	770-754	100
○ gray	B	1/L' 2/L ⊕ N	770-754/060-000	100
○ gray	B	1 2 PE 3	770-754/062-000	100
○ gray	B	L 1L ⊕ 2L	770-754/064-000	100
● light green	B	4 3 2 1	770-774	100
● light green	B	X/Y U+ S U-	770-774/071-000	100
● light green	B	AI DI U+ U-	770-774/072-000	100
● light green	B	3 2 ⊕ 1	770-774/073-000	100
● pink	B	4 3 2 1	770-794	100
● pink	B	3 5 2 1	770-794/081-000	100

for "Clean Ground" applications

Color	Coding	Marking	Item No.	PU
● green	Q	L PE2 PE1 N	770-2334	100



Item-Specific Accessories



Lockout cap; for plugs; separable; Pole number: 5

Color	Item No.	PU
● yellow	770-360	100

Accessories; for all products on this page



Lockout cap; for cutout; Pole number: 4

Color	Item No.	PU
● black	770-644	100
○ white	770-694	100

PU = packaging unit; SPU = subpackaging unit; Dimensions in mm

Snap-in device connector ▶ WINSTA® MIDI ▶ 770 Series

Pole number: 4 ▶ Number of connection points: 2 ▶ Protection type: IP20

Female connector/socket ▶ with protruding interface

Male connector/plug ▶ with direct ground contact



2

770-704/009-000

770-714/007-000

General mains applications

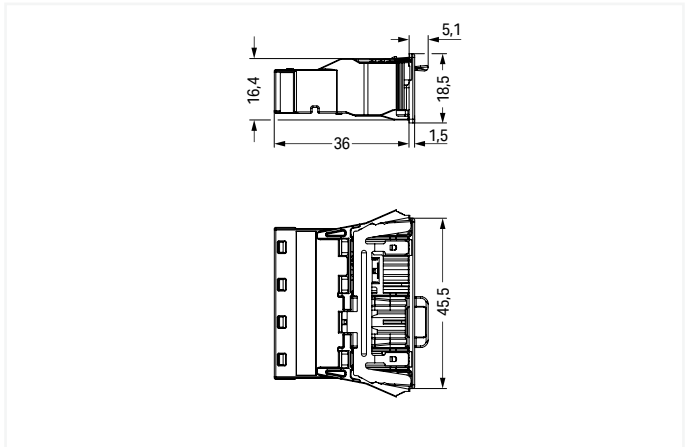
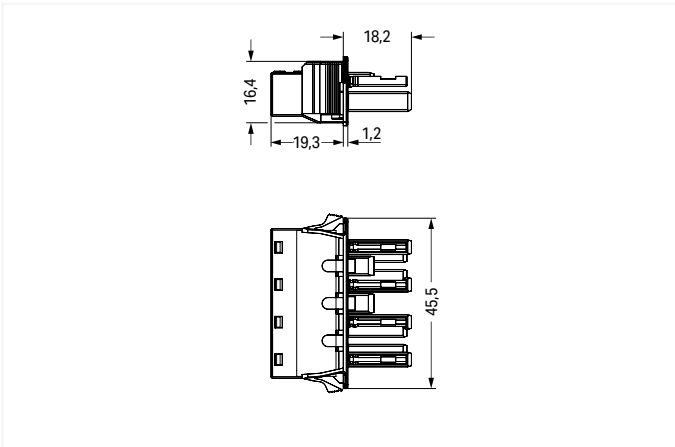
Color	Coding	Marking	Item No.	PU
● black	A	N ⊕ 2/L 1/L'	770-704/009-000	100
○ white	A	N ⊕ 2/L 1/L'	770-724/009-000	100

General mains applications

Color	Coding	Marking	Item No.	PU
● black	A	1/L' 2/L ⊕ N	770-714/007-000	100
○ white	A	1/L' 2/L ⊕ N	770-734/007-000	100

for "Clean Ground" applications

Color	Coding	Marking	Item No.	PU
● green	Q	L PE2 PE1 N	770-2334/007-000	100



Item-Specific Accessories



Lockout cap; for socket; separable; Pole number: 12

Color	Item No.	PU
● black	770-201	100
○ white	770-221	100



Lockout cap; for plugs; separable; Pole number: 5

Color	Item No.	PU
● yellow	770-360	100

Accessories; for all products on this page



Lockout cap; for cutout; Pole number: 4

Color	Item No.	PU
● black	770-644	100
○ white	770-694	100

PU = packaging unit; SPU = subpackaging unit; Dimensions in mm

Pluggable PCB connector ▶ WINSTA® MIDI ▶ 770 Series

Pole number: 4



- Protected against mismatching and maintenance-free
- Push-in CAGE CLAMP® spring pressure connection technology for direct termination of solid conductors
- Additional variable coding possible

Electrical data						
Coding	A			B		
Ratings per	IEC/EN 60664-1			IEC/EN 60664-1		
Overvoltage category	III	III	II	III	III	II
Pollution degree	3	2	2	3	2	2
Nominal voltage	400 V	-	-	400 V	-	-
Rated surge voltage	6 kV	-	-	6 kV	-	-
Rated current	25 A	-	-	25 A	-	-
Rated current (note)				25 A for 3-pole load 20 A for 4-pole load		
Material data						
Insulation material (main housing)	Polyamide (PA66)					
Flammability class per UL94	V0					
Clamping spring material	Chrome-nickel spring steel (CrNi)					
Contact material	Copper or copper alloy; surface-treated					
Contact Plating	Tin					
Mechanical data						
Solder pin arrangement	2 in-line solder pins/pole					
Number of solder pins per potential	2					
Solder pin length	3.5 mm					
Solder pin dimensions	1 x 0.8 mm					
Drilled hole diameter with tolerance	1.5 ^{+0.1...+0.1} mm					
Number of mating cycles	200, without resistive load					
Mating force of a plug-in connection	approx. 20 ... 70 N (depending on pole number)					
Unmating force of a plug-in connection	Unlocked: approx. 20 ... 70 N (depending on pole number)					
Retention force of a plug-in connection	Locked: > 80 N					
Environmental requirements						
Processing temperature	-5 ... +40 °C					
Continuous operating temperature	-35 ... +85 °C					
Note on continuous operating temperature	Insulating parts for temperatures ≤ 105 °C					

Note:

All WINSTA® components are 100% protected against mismatching when:

- plugging different numbers of poles
- plugging while rotated 180
- plugging while laterally staggered
- plugging one pole

All connectors for mounted installations (snap-in versions for lighting fixtures or devices, all types of PCB and distribution connectors) are factory-equipped with locking levers to ensure plugs and sockets are securely locked. Additional locking levers are only required for flying leads (plug/socket).

Coding Page 373

See technical section for further information

Approvals and corresponding ratings, visit www.wago.com

Pluggable PCB connector ▶ WINSTA® MIDI ▶ 770 Series

Pole number: 4

Female connector/socket ▶ straight



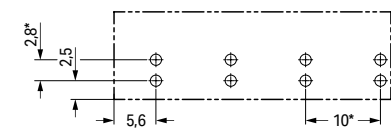
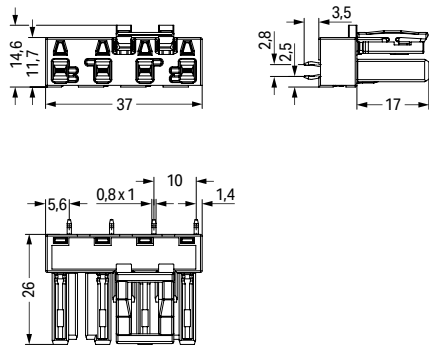
770-804

General mains applications

Color	Coding	Marking	Item No.	PU
● black	A	N ⊕ 2/L 1/L'	770-804	50
○ white	A	N ⊕ 2/L 1/L'	770-824	50

Control technology

Color	Coding	Marking	Item No.	PU
○ gray	B	1 2 3 4	770-844	50
○ gray	B	N ⊕ 2/L 1/L'	770-844/060-000	50
○ gray	B	3 PE 2 1	770-844/062-000	50
○ gray	B	2L ⊕ 1L L	770-844/064-000	50
● light green	B	1 2 3 4	770-864	50
● light green	B	U- S U+ X/Y	770-864/071-000	50
● light green	B	U- U+ DI AI	770-864/072-000	50
● light green	B	1 ⊕ 2 3	770-864/073-000	50
● pink	B	1 2 3 4	770-884	50
● pink	B	1 2 5 3	770-884/081-000	50



* ± 0.05 mm
Drilled hole diameter: 1.5^{+0.1} mm

Item-Specific Accessories



Lockout cap; for socket; separable; Pole number: 12

Color	Item No.	PU
● black	770-201	100
○ white	770-221	100

Male connector/plug ▶ straight



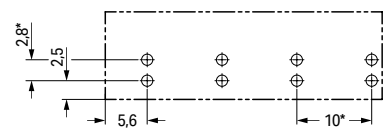
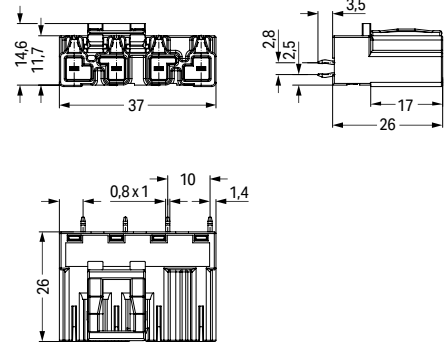
770-814

General mains applications

Color	Coding	Marking	Item No.	PU
● black	A	1/L' 2/L ⊕ N	770-814	50
○ white	A	1/L' 2/L ⊕ N	770-834	50

Control technology

Color	Coding	Marking	Item No.	PU
○ gray	B	4 3 2 1	770-854	50
○ gray	B	1/L' 2/L ⊕ N	770-854/060-000	50
○ gray	B	1 2 PE 3	770-854/062-000	50
○ gray	B	L 1L ⊕ 2L	770-854/064-000	50
● light green	B	4 3 2 1	770-874	50
● light green	B	X/Y U+ S U-	770-874/071-000	50
● light green	B	AI DI U+ U-	770-874/072-000	50
● light green	B	3 2 ⊕ 1	770-874/073-000	50
● pink	B	4 3 2 1	770-894	50
● pink	B	3 5 2 1	770-894/081-000	50



* ± 0.05 mm
Drilled hole diameter: 1.5^{+0.1} mm

Item-Specific Accessories



Lockout cap; for plugs; separable; Pole number: 5

Color	Item No.	PU
● yellow	770-360	100

PU = packaging unit; SPU = subpackaging unit; Dimensions in mm

Pluggable PCB connector ▶ WINSTA® MIDI ▶ 770 Series

Pole number: 4

Female connector/socket ▶ angled



770-804/011-000

Male connector/plug ▶ angled



770-814/011-000

General mains applications

Color	Coding	Marking	Item No.	PU
● black	A	N ⊕ 2/L 1/L'	770-804/011-000	50
○ white	A	N ⊕ 2/L 1/L'	770-824/011-000	50

Control technology

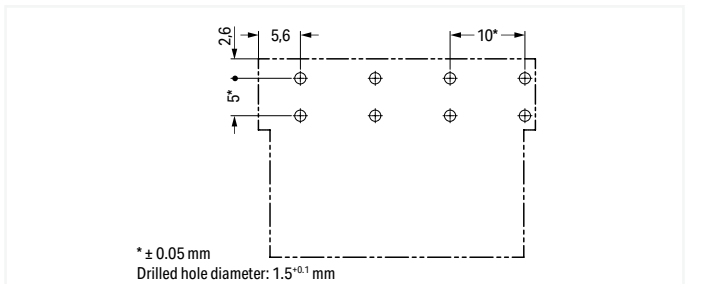
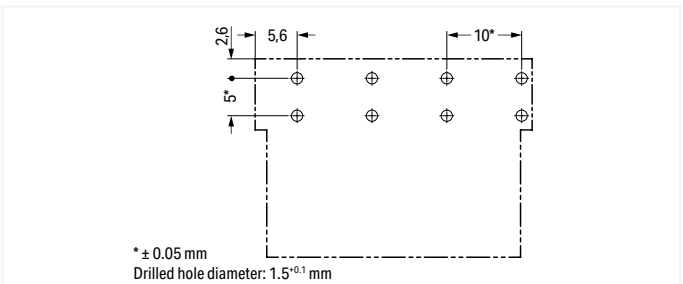
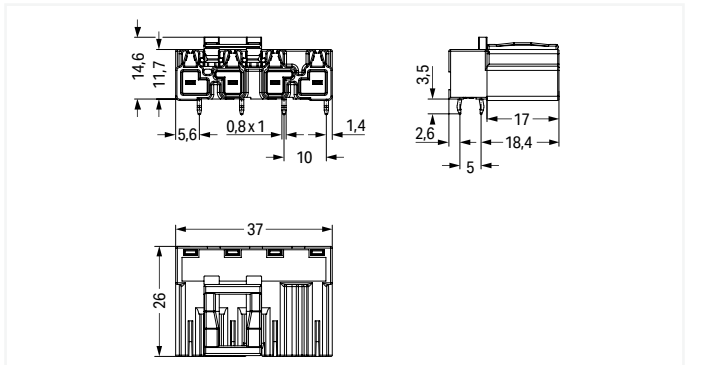
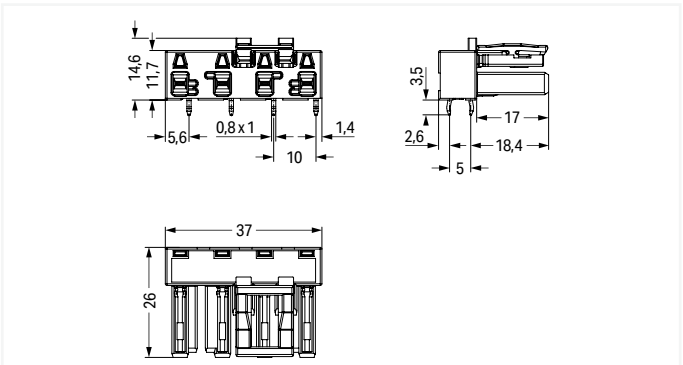
Color	Coding	Marking	Item No.	PU
○ gray	B	1 2 3 4	770-844/011-000	50
○ gray	B	N ⊕ 2/L 1/L'	770-844/011-000/060-000	50
○ gray	B	3 PE 2 1	770-844/011-000/062-000	50
○ gray	B	2L ⊕ 1L L	770-844/011-000/064-000	50
● light green	B	1 2 3 4	770-864/011-000	50
● light green	B	U- S U+ X/Y	770-864/011-000/071-000	50
● light green	B	U- U+ DI AI	770-864/011-000/072-000	50
● light green	B	1 ⊕ 2 3	770-864/011-000/073-000	50
● pink	B	1 2 3 4	770-884/011-000	50
● pink	B	1 2 5 3	770-884/011-000/081-000	50

General mains applications

Color	Coding	Marking	Item No.	PU
● black	A	1/L' 2/L ⊕ N	770-814/011-000	50
○ white	A	1/L' 2/L ⊕ N	770-834/011-000	50

Control technology

Color	Coding	Marking	Item No.	PU
○ gray	B	4 3 2 1	770-854/011-000	50
○ gray	B	1/L' 2/L ⊕ N	770-854/011-000/060-000	50
○ gray	B	1 2 PE 3	770-854/011-000/062-000	50
○ gray	B	L 1L ⊕ 2L	770-854/011-000/064-000	50
● light green	B	4 3 2 1	770-874/011-000	50
● light green	B	X/Y U+ S U-	770-874/011-000/071-000	50
● light green	B	AI DI U+ U-	770-874/011-000/072-000	50
● light green	B	3 2 ⊕ 1	770-874/011-000/073-000	50
● pink	B	4 3 2 1	770-894/011-000	50
● pink	B	3 5 2 1	770-894/011-000/081-000	50



Item-Specific Accessories



Lockout cap; for socket; separable; Pole number: 12

Color	Item No.	PU
● black	770-201	100
○ white	770-221	100

Item-Specific Accessories



Lockout cap; for plugs; separable; Pole number: 5

Color	Item No.	PU
● yellow	770-360	100

PU = packaging unit; SPU = subpackaging unit; Dimensions in mm

Distribution connector ▶ WINSTA® MIDI ▶ 770 Series

Pole number: 4



- Protected against mismatching and maintenance-free
- Additional variable coding is possible.

Electrical data						
Coding	A			B		
Ratings per	IEC/EN 60664-1			IEC/EN 60664-1		
Overvoltage category	III	III	II	III	III	II
Pollution degree	3	2	2	3	2	2
Nominal voltage	400 V	-	-	400 V	-	-
Rated surge voltage	6 kV	-	-	6 kV	-	-
Rated current	25 A	-	-	25 A	-	-
Rated current (note)				25 A for 3-pole load 20 A for 4-pole load		
Material data						
Insulation material (main housing)	Polyamide (PA66)					
Flammability class per UL94	V0					
Contact material	Copper or copper alloy; surface-treated					
Contact Plating	Tin					
Mechanical data						
Number of mating cycles	200, without resistive load					
Mating force of a plug-in connection	Approx. 20 ... 70 N (depending on pole number)					
Unmating force of a plug-in connection	Unlocked: approx. 20 ... 70 N (depending on pole number)					
Retention force of a plug-in connection	When locked: > 80 N					
Protection type	IP20					
Note on protection type	When mated: IP2xC (These compact connectors are not designed for use in open, easily accessible areas!)					
Number of inputs	1					
Environmental requirements						
Processing temperature	-5 ... +40 °C					
Continuous operating temperature	-35 ... +85 °C					
Note on continuous operating temperature	Insulating parts for temperatures ≤ 105 °C					

Note:

All WINSTA® components are 100% protected against mismatching when:

- plugging different numbers of poles
- plugging while rotated 180
- plugging while laterally staggered
- plugging one pole

All connectors for mounted installations (snap-in versions for lighting fixtures or devices, all types of PCB and distribution connectors) are factory-equipped with locking levers to ensure plugs and sockets are securely locked. Additional locking levers are only required for flying leads (plug/socket).

Coding Page 373

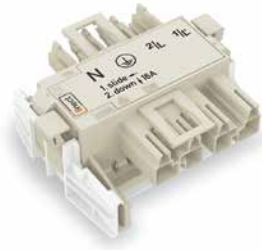
See technical section for further information

Approvals and corresponding ratings, visit www.wago.com

Distribution connector ▶ WINSTA® MIDI ▶ 770 Series

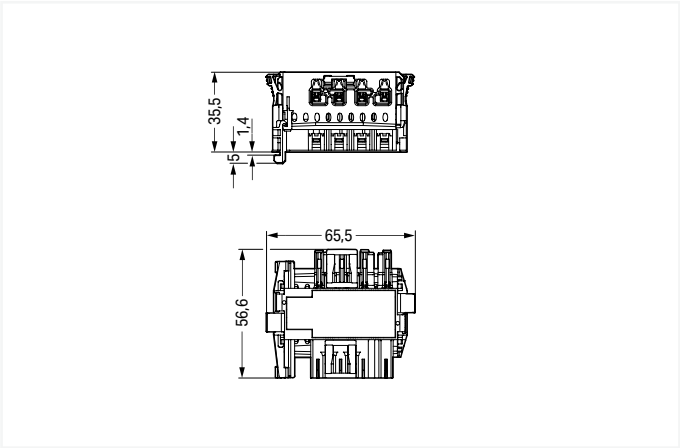
Pole number: 4

Linect® T-connector



770-6224

General mains applications				
Color	Coding	Marking	Item No.	PU
○ white	A	N ⊕ 2/L 1/L'	770-6224	25



2

Accessories; for all products on this page



Lockout cap; for socket; separable; Pole number: 12



Lockout cap; for plugs; separable; Pole number: 5

Color	Item No.	PU
● black	770-201	100
○ white	770-221	100

Color	Item No.	PU
● yellow	770-360	100

PU = packaging unit; SPU = subpackaging unit; Dimensions in mm

Distribution connector ▶ WINSTA® MIDI ▶ 770 Series

Pole number: 4

T-distribution connector

Number of locking levers: 2

for flying leads ▶ Number of locking levers: 3



770-626

770-627

General mains applications

Color	Coding	Marking	Item No.	PU
● black	A	N ⊕ 2/L 1/L'	770-626	50
○ white	A	N ⊕ 2/L 1/L'	770-676	50

Control technology

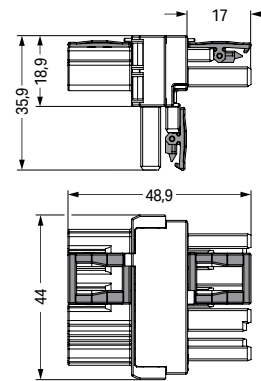
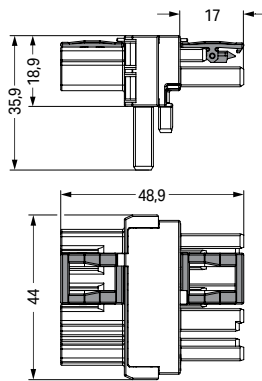
Color	Coding	Marking	Item No.	PU
○ gray	B	1 2 3 4	770-1631	50
● light green	B	1 2 3 4	770-1632	50
● pink	B	1 2 3 4	770-1633	50

General mains applications

Color	Coding	Marking	Item No.	PU
● black	A	N ⊕ 2/L 1/L'	770-627	50
○ white	A	N ⊕ 2/L 1/L'	770-677	50

Control technology

Color	Coding	Marking	Item No.	PU
○ gray	B	1 2 3 4	770-1731	50
● light green	B	1 2 3 4	770-1732	50
● pink	B	1 2 3 4	770-1733	50



Accessories; for all products on this page



Lockout cap; for socket; separable; Pole number: 12



Mounting carrier; for T-distribution connectors; 2- to 5-pole



Lockout cap; for plugs; separable; Pole number: 5

Color	Item No.	PU
● black	770-201	100
○ white	770-221	100

Color	Item No.	PU
● silver-colored	770-354	50

Color	Item No.	PU
● yellow	770-360	100

PU = packaging unit; SPU = subpackaging unit; Dimensions in mm

Distribution connector ▶ WINSTA® MIDI ▶ 770 Series

Pole number: 4

h-distribution connector, outputs at one end

Number of locking levers: 2

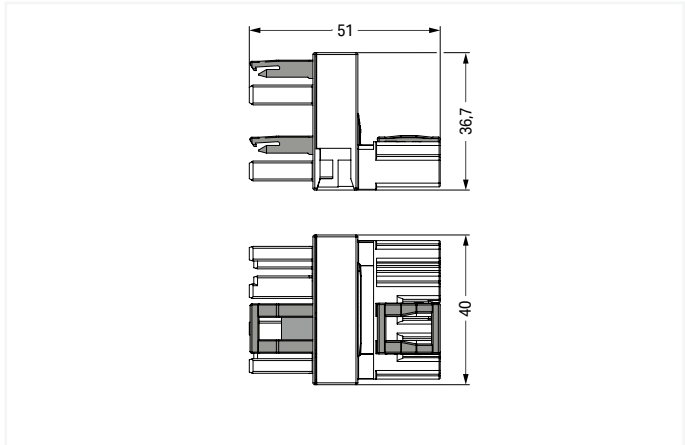
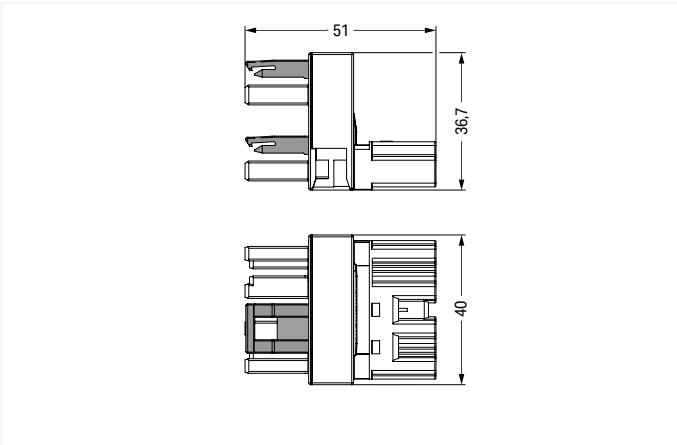
for flying leads ▶ Number of locking levers: 3



770-944

General mains applications				
Color	Coding	Marking	Item No.	PU
● black	A	N ⊕ 2/L 1/L'	770-944	25
○ white	A	N ⊕ 2/L 1/L'	770-994	25
Control technology				
Color	Coding	Marking	Item No.	PU
○ gray	B	1 2 3 4	770-1681	50
● light green	B	1 2 3 4	770-1682	50
● pink	B	1 2 3 4	770-1683	50

General mains applications				
Color	Coding	Marking	Item No.	PU (SPU)
● black	A	N ⊕ 2/L 1/L'	770-945	25 (22)
○ white	A	N ⊕ 2/L 1/L'	770-995	25
Control technology				
Color	Coding	Marking	Item No.	PU
○ gray	B	1 2 3 4	770-1781	50
● light green	B	1 2 3 4	770-1782	50
● pink	B	1 2 3 4	770-1783	50



Accessories; for all products on this page



Lockout cap; for socket; separable; Pole number: 12



Mounting plate; for distribution connectors (except T-distribution connectors); 4-pole



Lockout cap; for plugs; separable; Pole number: 5

Color	Item No.	PU
● black	770-201	100
○ white	770-221	100

Color	Item No.	PU
● black	770-624	25
○ white	770-674	25

Color	Item No.	PU
● yellow	770-360	100

PU = packaging unit; SPU = subpackaging unit; Dimensions in mm

Distribution connector ▶ WINSTA® MIDI ▶ 770 Series

Pole number: 4

Distribution connector, 3-way ▶ Number of locking levers: 4

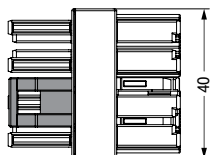
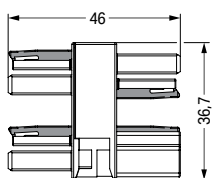


2

770-1734

Control technology

Color	Coding	Marking	Item No.	PU
○ gray	B	1 2 3 4	770-1734	50
● light green	B	1 2 3 4	770-1735	50
● pink	B	1 2 3 4	770-1736	50



Accessories; for all products on this page



Lockout cap; for socket; separable; Pole number: 12



Mounting plate; for distribution connectors (except T-distribution connectors); 4-pole



Lockout cap; for plugs; separable; Pole number: 5

Color	Item No.	PU
● black	770-201	100
○ white	770-221	100

Color	Item No.	PU
● black	770-624	25
○ white	770-674	25

Color	Item No.	PU
● yellow	770-360	100

PU = packaging unit; SPU = subpackaging unit; Dimensions in mm

2

Cable assembly ▶ WINSTA® MIDI ▶ 771 Series

Pole number: 4 ▶ Fire class per EN 50575: E_{ca} ▶ Protection type: IP20

- Protected against mismatching and maintenance-free
- Additional variable coding is possible.

Electrical data									
Coding	A; B			A			B		
Wire cross-section	1.5 mm ²			1.5 mm ²			1 mm ²		
Ratings per	IEC/EN 60664-1			IEC/EN 60664-1			IEC/EN 60664-1		
Oversvoltage category	III	III	II	III	III	II	III	III	II
Pollution degree	3	2	2	3	2	2	3	2	2
Nominal voltage	400 V	-	-	250 V	-	-	400 V	-	-
Rated surge voltage	6 kV	-	-	4 kV	-	-	6 kV	-	-
Rated current	16 A	-	-	16 A	-	-	10 A	-	-
Material data									
Insulation material (main housing)	Polyamide (PA66)								
Contact material	Copper or copper alloy; surface-treated								
Contact Plating	Tin								
Fire class per EN 50575	E _{ca}								
Mechanical data									
Number of mating cycles	200, without resistive load								
Mating force of a plug-in connection	approx. 20 ... 70 N (depending on pole number)								
Unmating force of a plug-in connection	when unlocked: approx. 20 ... 70 N (depending on pole number)								
Retention force of a plug-in connection	when locked: > 80N								
Protection type	IP20								
Note on protection type	When mated: IP2xC (These compact connectors are not designed for use in open, easily accessible areas!)								
Environmental requirements									
Processing temperature	-5 ... +40 °C								
Continuous operating temperature	-35 ... +85 °C								
Note on continuous operating temperature	Cable for temperatures ≤ 70 °C (including halogen-free) Insulating parts for temperatures ≤ 105 °C								

Note:

Cables with a different fire class can be found in the eS-hop.

All WINSTA® components are 100% protected against mismatching when:

- plugging different numbers of poles
- plugging while rotated 180
- plugging while laterally staggered
- plugging one pole

All connectors for mounted installations (snap-in versions for lighting fixtures or devices, all types of PCB and distribution connectors) are factory-equipped with locking levers to ensure plugs and sockets are securely locked. Additional locking levers are only required for flying leads (plug/socket).

Coding Page 373

Cover Page 197

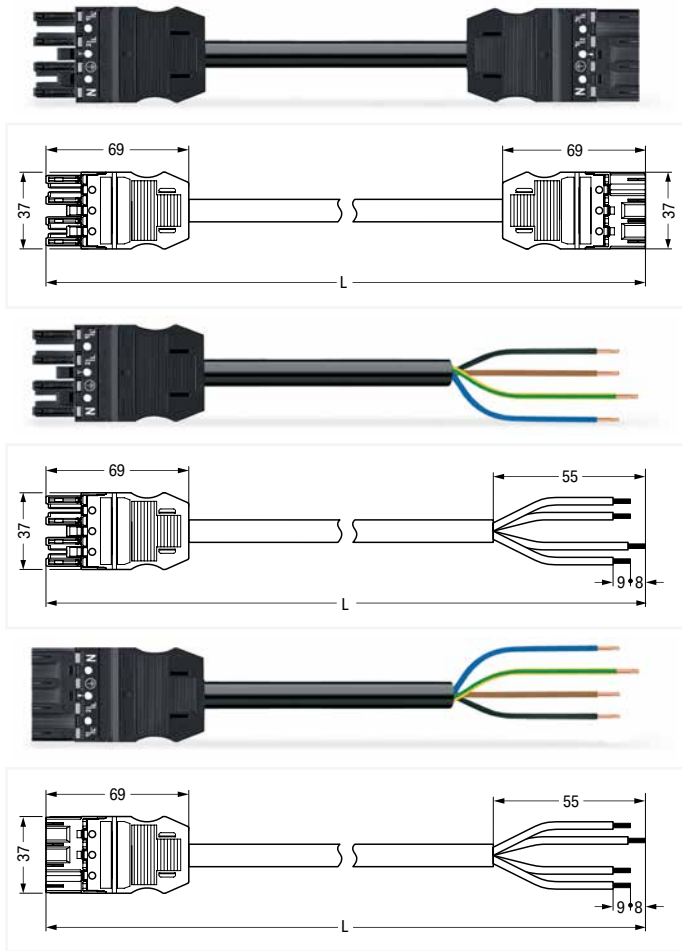
Marking Page 399

See technical section for further information

Approvals and corresponding ratings, visit www.wago.com

Cable assembly ▶ WINSTA® MIDI ▶ 771 Series

Pole number: 4 ▶ Fire class per EN 50575: E_{ca} ▶ Protection type: IP20 ▶ Coding: A ▶ 1.5 mm² ▶ Marking: N ⊕ 2/L 1/L' ▶ PVC ▶ H05VV-F 4G1.5 ▶ General mains applications



Interconnecting cable ▶ Socket - Plug

Total length	Connector color / Strain relief color		PU
	black / black	white / white	
1 m	771-9994/006-101	771-9994/006-102	1
2 m	771-9994/006-201	771-9994/006-202	1
3 m	771-9994/006-301	771-9994/006-302	1
4 m	771-9994/006-401	771-9994/006-402	1
5 m	771-9994/006-501	771-9994/006-502	1
6 m	771-9994/006-601	771-9994/006-602	1
7 m	771-9994/006-701	771-9994/006-702	1
8 m	771-9994/006-801	771-9994/006-802	1

Connecting cable ▶ Socket - free end ▶ Strip length (outer insulation): 55 mm




Total length	Connector color / Strain relief color		PU
	black / black	white / white	
1 m	771-9994/106-101	771-9994/106-102	1
2 m	771-9994/106-201	771-9994/106-202	1
3 m	771-9994/106-301	771-9994/106-302	1
4 m	771-9994/106-401	771-9994/106-402	1
5 m	771-9994/106-501	771-9994/106-502	1
6 m	771-9994/106-601	771-9994/106-602	1
7 m	771-9994/106-701	771-9994/106-702	1
8 m	771-9994/106-801	771-9994/106-802	1

Connecting cable ▶ Plug - free end ▶ Strip length (outer insulation): 55 mm

Total length	Connector color / Strain relief color		PU
	black / black	white / white	
1 m	771-9994/206-101	771-9994/206-102	1
2 m	771-9994/206-201	771-9994/206-202	1
3 m	771-9994/206-301	771-9994/206-302	1
4 m	771-9994/206-401	771-9994/206-402	1
5 m	771-9994/206-501	771-9994/206-502	1
6 m	771-9994/206-601	771-9994/206-602	1
7 m	771-9994/206-701	771-9994/206-702	1
8 m	771-9994/206-801	771-9994/206-802	1

2

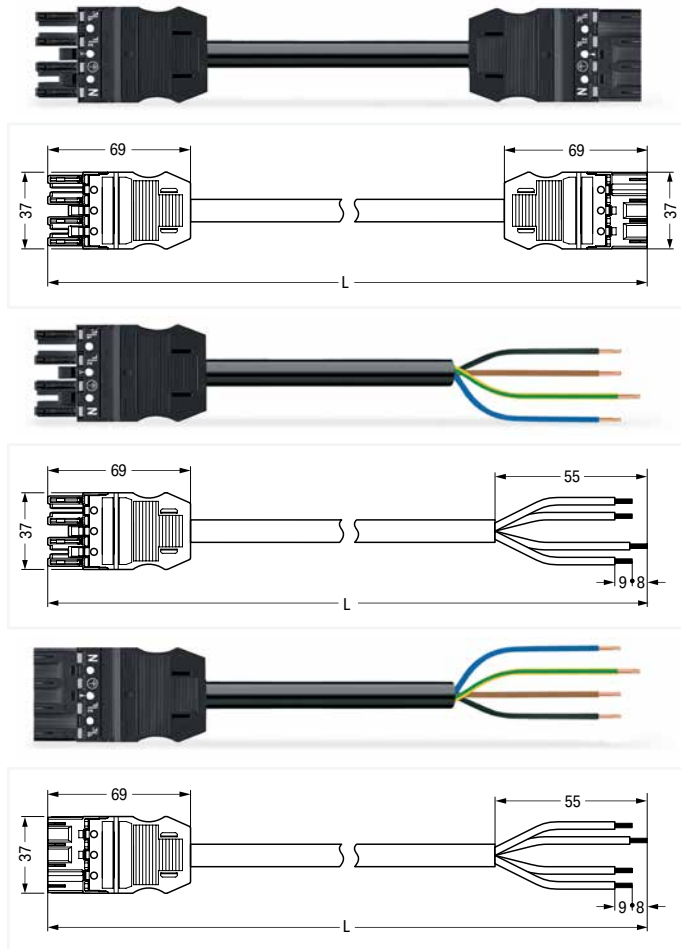
Accessories; for all products on this page

 Locking lever; for flying leads; manually operated			 Locking lever; for flying leads; tool operated			 Mounting carrier; for flying leads; 2- to 5-pole		
Color	Item No.	PU (SPU)	Color	Item No.	PU (SPU)	Color	Item No.	PU
● black	770-101	100 (25)	● black	770-111	100 (25)	● black	770-310	25
○ white	770-121	100 (25)	○ white	770-131	100 (25)			

PU = packaging unit; SPU = subpackaging unit; Dimensions in mm

Cable assembly ▶ WINSTA® MIDI ▶ 771 Series

Pole number: 4 ▶ Fire class per EN 50575: E_{ca} ▶ Protection type: IP20 ▶ Coding: A ▶ 1.5 mm² ▶ Marking: N ⊕ 2/L 1/L' ▶ Halogen-free ▶ H05Z1Z1-F 4G1.5 ▶ General mains applications






Interconnecting cable ▶ Socket - Plug			
Total length	Connector color / Strain relief color		PU
	black / black	white / white	
1 m	771-9994/016-101	771-9994/016-102	1
2 m	771-9994/016-201	771-9994/016-202	1
3 m	771-9994/016-301	771-9994/016-302	1
4 m	771-9994/016-401	771-9994/016-402	1
5 m	771-9994/016-501	771-9994/016-502	1
6 m	771-9994/016-601	771-9994/016-602	1
7 m	771-9994/016-701	771-9994/016-702	1
8 m	771-9994/016-801	771-9994/016-802	1

Connecting cable ▶ Socket - free end ▶ Strip length (outer insulation): 55 mm			
Total length	Connector color / Strain relief color		PU
	black / black	white / white	
1 m	771-9994/116-101	771-9994/116-102	1
2 m	771-9994/116-201	771-9994/116-202	1
3 m	771-9994/116-301	771-9994/116-302	1
4 m	771-9994/116-401	771-9994/116-402	1
5 m	771-9994/116-501	771-9994/116-502	1
6 m	771-9994/116-601	771-9994/116-602	1
7 m	771-9994/116-701	771-9994/116-702	1
8 m	771-9994/116-801	771-9994/116-802	1

Connecting cable ▶ Plug - free end ▶ Strip length (outer insulation): 55 mm			
Total length	Connector color / Strain relief color		PU
	black / black	white / white	
1 m	771-9994/216-101	771-9994/216-102	1
2 m	771-9994/216-201	771-9994/216-202	1
3 m	771-9994/216-301	771-9994/216-302	1
4 m	771-9994/216-401	771-9994/216-402	1
5 m	771-9994/216-501	771-9994/216-502	1
6 m	771-9994/216-601	771-9994/216-602	1
7 m	771-9994/216-701	771-9994/216-702	1
8 m	771-9994/216-801	771-9994/216-802	1

Accessories; for all products on this page

 Locking lever; for flying leads; manually operated			 Locking lever; for flying leads; tool operated			 Mounting carrier; for flying leads; 2- to 5-pole		
Color	Item No.	PU (SPU)	Color	Item No.	PU (SPU)	Color	Item No.	PU
● black	770-101	100 (25)	● black	770-111	100 (25)	● black	770-310	25
○ white	770-121	100 (25)	○ white	770-131	100 (25)			

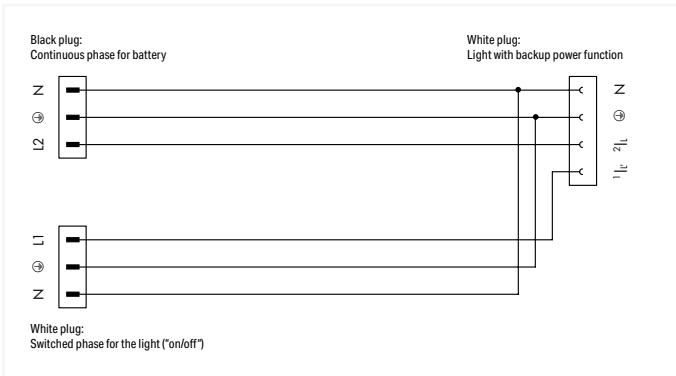
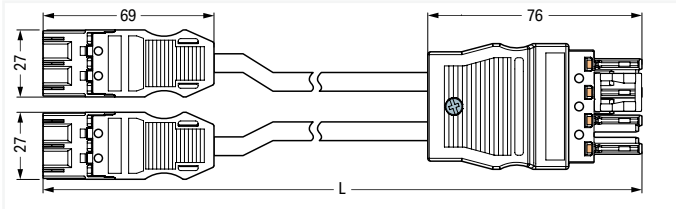
PU = packaging unit; SPU = subpackaging unit; Dimensions in mm

Cable assembly ▶ WINSTA® MIDI ▶ 771 Series

Pole number: 4 ▶ Fire class per EN 50575: E_{ca} ▶ Protection type: IP20 ▶ Coding: A ▶ 1.5 mm² ▶ PVC ▶ H05VV-F 3G1.5 ▶ Backup power function



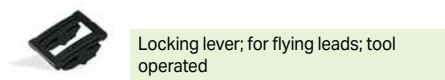
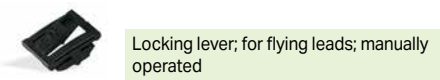
Y-cable ▶ MIDI plug; MIDI plug - MIDI socket				
Total length	Connector color / Strain relief color			PU
	white / white			
0.6 m	771-5001/100-000			1



This cable connects lights with backup power function (battery pack). The black 3-pole plug connects the continuous phase for the battery, while the white 3-pole plug connects the switched phase for the light ("on/off"). The white 4-pole socket can be directly plugged into the light.

2

Accessories; for all products on this page



Color	Item No.	PU (SPU)
● black	770-101	100 (25)
○ white	770-121	100 (25)

Color	Item No.	PU (SPU)
● black	770-111	100 (25)
○ white	770-131	100 (25)

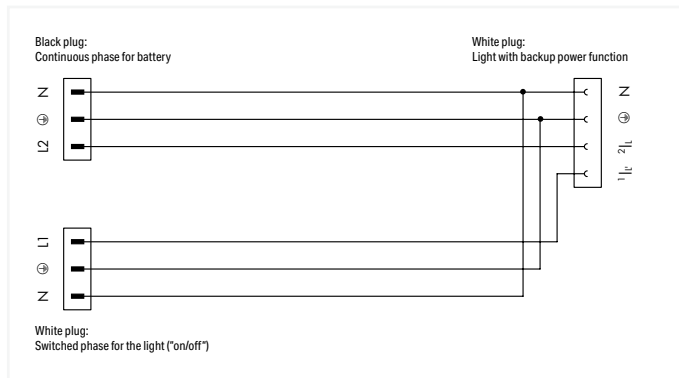
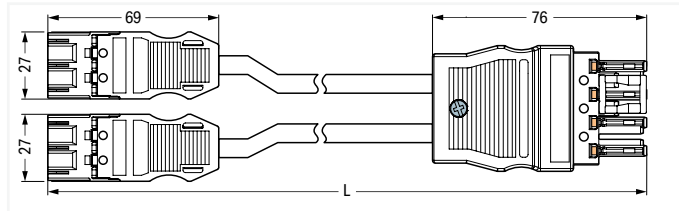
PU = packaging unit; SPU = subpackaging unit; Dimensions in mm

Cable assembly ▶ WINSTA® MIDI ▶ 771 Series

Pole number: 4 ▶ Fire class per EN 50575: E_{ca} ▶ Protection type: IP20 ▶ Coding: A ▶ 1.5 mm² ▶ Halogen-free ▶ H05Z1Z1-F 3G1.5 ▶ Backup power function



Y-cable ▶ MIDI plug; MIDI plug - MIDI socket				
Total length	Connector color / Strain relief color			PU
	0.6 m	white / white		



This cable connects lights with backup power function (battery pack). The black 3-pole plug connects the continuous phase for the battery, while the white 3-pole plug connects the switched phase for the light ("on/off"). The white 4-pole socket can be directly plugged into the light.

Accessories; for all products on this page



Locking lever; for flying leads; manually operated



Locking lever; for flying leads; tool operated

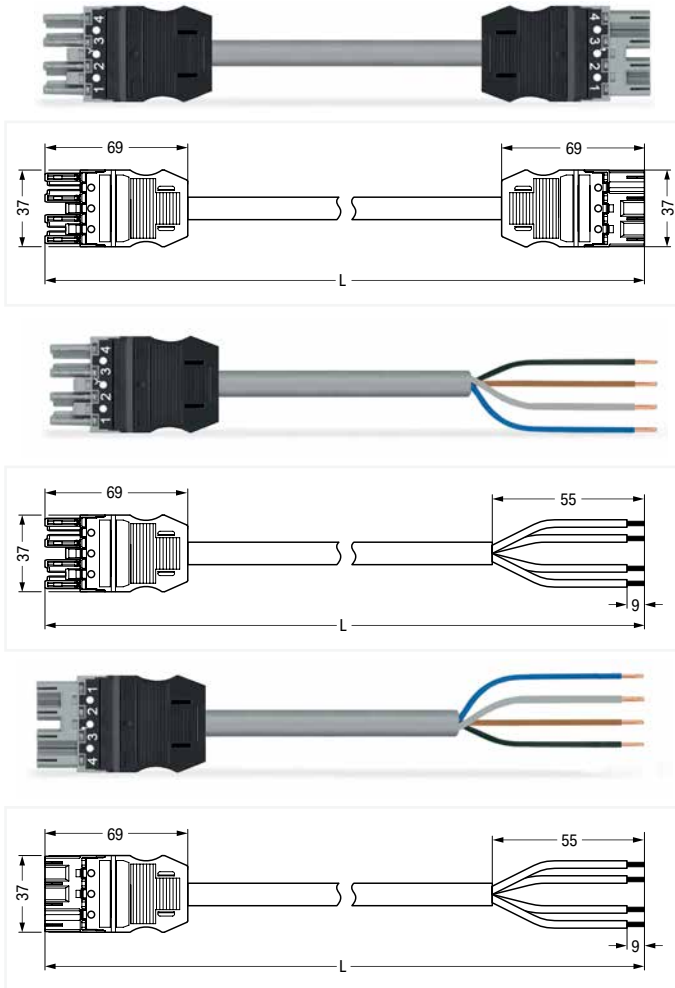
Color	Item No.	PU (SPU)
● black	770-101	100 (25)
○ white	770-121	100 (25)

Color	Item No.	PU (SPU)
● black	770-111	100 (25)
○ white	770-131	100 (25)

PU = packaging unit; SPU = subpackaging unit; Dimensions in mm

Cable assembly ▶ WINSTA® MIDI ▶ 771 Series

Pole number: 4 ▶ Fire class per EN 50575: E_{ca} ▶ Protection type: IP20 ▶ Coding: B ▶ 1 mm² ▶ Marking: 1 2 3 4 ▶ PVC ▶ Control line 4x1 ▶ Control technology



Interconnecting cable ▶ Socket - Plug				
Total length	Connector color / Strain relief color			PU
	gray / black	light green / black	pink / black	
1 m	771-9994/005-103	771-9994/005-105	771-9994/005-107	1
2 m	771-9994/005-203	771-9994/005-205	771-9994/005-207	1
3 m	771-9994/005-303	771-9994/005-305	771-9994/005-307	1
4 m	771-9994/005-403	771-9994/005-405	771-9994/005-407	1
5 m	771-9994/005-503	771-9994/005-505	771-9994/005-507	1
6 m	771-9994/005-603	771-9994/005-605	771-9994/005-607	1
7 m	771-9994/005-703	771-9994/005-705	771-9994/005-707	1
8 m	771-9994/005-803	771-9994/005-805	771-9994/005-807	1

Connecting cable ▶ Socket - free end ▶ Strip length (outer insulation): 55 mm				
Total length	Connector color / Strain relief color			PU
	gray / black	light green / black	pink / black	
1 m	771-9994/105-103	771-9994/105-105	771-9994/105-107	1
2 m	771-9994/105-203	771-9994/105-205	771-9994/105-207	1
3 m	771-9994/105-303	771-9994/105-305	771-9994/105-307	1
4 m	771-9994/105-403	771-9994/105-405	771-9994/105-407	1
5 m	771-9994/105-503	771-9994/105-505	771-9994/105-507	1
6 m	771-9994/105-603	771-9994/105-605	771-9994/105-607	1
7 m	771-9994/105-703	771-9994/105-705	771-9994/105-707	1
8 m	771-9994/105-803	771-9994/105-805	771-9994/105-807	1

Connecting cable ▶ Plug - free end ▶ Strip length (outer insulation): 55 mm				
Total length	Connector color / Strain relief color			PU
	gray / black	light green / black	pink / black	
1 m	771-9994/205-103	771-9994/205-105	771-9994/205-107	1
2 m	771-9994/205-203	771-9994/205-205	771-9994/205-207	1
3 m	771-9994/205-303	771-9994/205-305	771-9994/205-307	1
4 m	771-9994/205-403	771-9994/205-405	771-9994/205-407	1
5 m	771-9994/205-503	771-9994/205-505	771-9994/205-507	1
6 m	771-9994/205-603	771-9994/205-605	771-9994/205-607	1
7 m	771-9994/205-703	771-9994/205-705	771-9994/205-707	1
8 m	771-9994/205-803	771-9994/205-805	771-9994/205-807	1

2

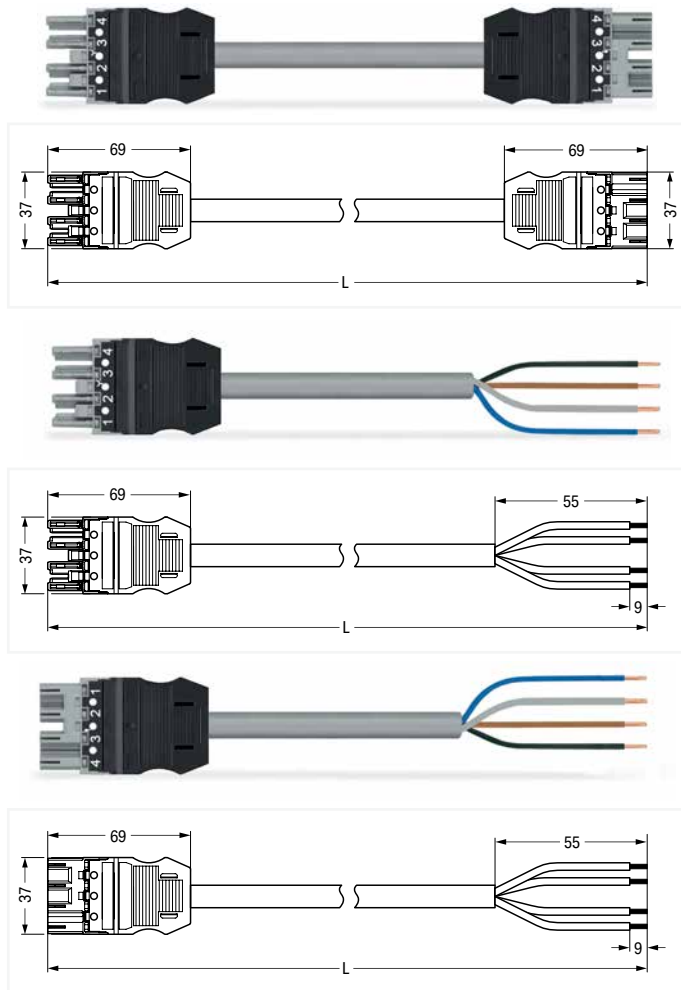
Accessories; for all products on this page

	Locking lever; for flying leads; manually operated		Locking lever; for flying leads; tool operated		Mounting carrier; for flying leads; 2- to 5-pole			
Color	Item No.	PU (SPU)	Color	Item No.	PU (SPU)	Color	Item No.	PU
● black	770-101	100 (25)	● black	770-111	100 (25)	● black	770-310	25
○ white	770-121	100 (25)	○ white	770-131	100 (25)			

PU = packaging unit; SPU = subpackaging unit; Dimensions in mm

Cable assembly ▶ WINSTA® MIDI ▶ 771 Series

Pole number: 4 ▶ Fire class per EN 50575: E_{ca} ▶ Protection type: IP20 ▶ Coding: B ▶ 1.5 mm² ▶ Marking: 1 2 3 4 ▶ PVC ▶ Control line 4x1.5 ▶ Control technology






Interconnecting cable ▶ Socket - Plug				
Total length	Connector color / Strain relief color			PU
	gray / black	light green / black	pink / black	
1 m	771-9994/006-103	771-9994/006-105	771-9994/006-107	1
2 m	771-9994/006-203	771-9994/006-205	771-9994/006-207	1
3 m	771-9994/006-303	771-9994/006-305	771-9994/006-307	1
4 m	771-9994/006-403	771-9994/006-405	771-9994/006-407	1
5 m	771-9994/006-503	771-9994/006-505	771-9994/006-507	1
6 m	771-9994/006-603	771-9994/006-605	771-9994/006-607	1
7 m	771-9994/006-703	771-9994/006-705	771-9994/006-707	1
8 m	771-9994/006-803	771-9994/006-805	771-9994/006-807	1

Connecting cable ▶ Socket - free end ▶ Strip length (outer insulation): 55 mm				
Total length	Connector color / Strain relief color			PU
	gray / black	light green / black	pink / black	
1 m	771-9994/106-103	771-9994/106-105	771-9994/106-107	1
2 m	771-9994/106-203	771-9994/106-205	771-9994/106-207	1
3 m	771-9994/106-303	771-9994/106-305	771-9994/106-307	1
4 m	771-9994/106-403	771-9994/106-405	771-9994/106-407	1
5 m	771-9994/106-503	771-9994/106-505	771-9994/106-507	1
6 m	771-9994/106-603	771-9994/106-605	771-9994/106-607	1
7 m	771-9994/106-703	771-9994/106-705	771-9994/106-707	1
8 m	771-9994/106-803	771-9994/106-805	771-9994/106-807	1

Connecting cable ▶ Plug - free end ▶ Strip length (outer insulation): 55 mm				
Total length	Connector color / Strain relief color			PU
	gray / black	light green / black	pink / black	
1 m	771-9994/206-103	771-9994/206-105	771-9994/206-107	1
2 m	771-9994/206-203	771-9994/206-205	771-9994/206-207	1
3 m	771-9994/206-303	771-9994/206-305	771-9994/206-307	1
4 m	771-9994/206-403	771-9994/206-405	771-9994/206-407	1
5 m	771-9994/206-503	771-9994/206-505	771-9994/206-507	1
6 m	771-9994/206-603	771-9994/206-605	771-9994/206-607	1
7 m	771-9994/206-703	771-9994/206-705	771-9994/206-707	1
8 m	771-9994/206-803	771-9994/206-805	771-9994/206-807	1

Accessories; for all products on this page

 Locking lever; for flying leads; manually operated			 Locking lever; for flying leads; tool operated			 Mounting carrier; for flying leads; 2- to 5-pole		
Color	Item No.	PU (SPU)	Color	Item No.	PU (SPU)	Color	Item No.	PU
● black	770-101	100 (25)	● black	770-111	100 (25)	● black	770-310	25
○ white	770-121	100 (25)	○ white	770-131	100 (25)			

PU = packaging unit; SPU = subpackaging unit; Dimensions in mm

Pluggable connectors ▶ WINSTA® MIDI ▶ 770 Series

Pole number: 5 ▶ Protection type: IP20



- Protected against mismatching and maintenance-free
- Push-in CAGE CLAMP® spring pressure connection technology allows solid conductors to be simply pushed into a unit.
- Two wire connections per pole for loops or bridges
- Additional variable coding is possible.

Electrical data									
Coding	A; L; P			B			Q		
Ratings per	IEC/EN 60664-1			IEC/EN 60664-1			IEC/EN 60664-1		
Overvoltage category	III	III	II	III	III	II	III	III	II
Pollution degree	3	2	2	3	2	2	3	2	2
Nominal voltage	400 V	-	-	400 V	-	-	400 V	-	-
Rated surge voltage	6 kV	-	-	6 kV	-	-	6 kV	-	-
Rated current	25 A	-	-	25 A	-	-	32 A	-	-
Rated current (note)				25 A for 3-pole load 20 A for 4- and 5-pole load					

Connection data	
Connection technology	Push-in CAGE CLAMP®
Strip length	9 mm / 0.35 inches
Nominal cross-section	4 mm ² / 12 AWG
Solid conductor	0.5 ... 4 mm ² / 20 ... 12 AWG
Solid conductor; push-in termination	1.5 ... 4 mm ² / 16 ... 12 AWG
Stranded conductor	0.5 ... 2.5 mm ² / 20 ... 14 AWG
Fine-stranded conductor	0.5 ... 4 mm ² / 20 ... 12 AWG
Fine-stranded conductor; with insulated ferrule	0.25 ... 1.5 mm ² / 20 ... 16 AWG
Fine-stranded conductor; with uninsulated ferrule	0.25 ... 2.5 mm ² / 20 ... 14 AWG
Fine-stranded conductor; with ferrule; push-in termination	1.5 mm ² / 16 AWG

Material data	
Material group	I
Insulation material (main housing)	Polyamide (PA66)
Flammability class per UL94	V0
Clamping spring material	Chrome-nickel spring steel (CrNi)
Contact material	Copper or copper alloy; surface-treated
Contact Plating	Tin

Mechanical data	
Number of mating cycles	200, without resistive load
Mating force of a plug-in connection	approx. 20 ... 70 N (depending on pole number)
Unmating force of a plug-in connection	Unlocked: approx. 20 ... 70 N (depending on pole number)
Retention force of a plug-in connection	Locked: > 80 N
Protection type	IP20
Note on protection type	When mated and secured with a strain relief housing: IP20xC (These compact connectors are not designed for use in open, easily accessible areas!)

Environmental requirements	
Processing temperature	-5 ... +40 °C
Continuous operating temperature	-35 ... +85 °C
Note on continuous operating temperature	Insulating parts for temperatures ≤ 105 °C

Note:

All WINSTA® components are 100% protected against mismatching when:

- plugging different numbers of poles
- plugging while rotated 180
- plugging while laterally staggered
- plugging one pole

All connectors for mounted installations (snap-in versions for lighting fixtures or devices, all types of PCB and distribution connectors) are factory-equipped with locking levers to ensure plugs and sockets are securely locked. Additional locking levers are only required for flying leads (plug/socket).

Coding	Page 373
Cover	Page 223
Installation	Page 385
Marking	Page 399
Tool	Page 394
See technical section for further information	
Approvals and corresponding ratings, visit www.wago.com	

Pluggable connectors ► WINSTA® MIDI ► 770 Series

Pole number: 5 ► Protection type: IP20

Female connector/socket ► Strain relief housing ► Number of connection points 2
 ► Strip length (outer insulation): 55 mm ► Connectable sheathed cable diameter: 9 ... 13 mm

Male connector/plug ► Strain relief housing ► Number of connection points 2 ► Strip length (outer insulation): 55 mm ► Connectable sheathed cable diameter: 9 ... 13 mm



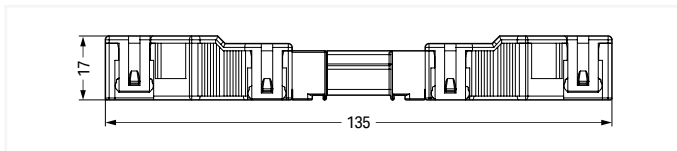
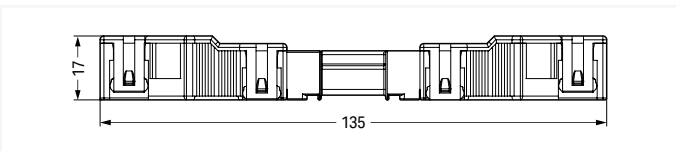
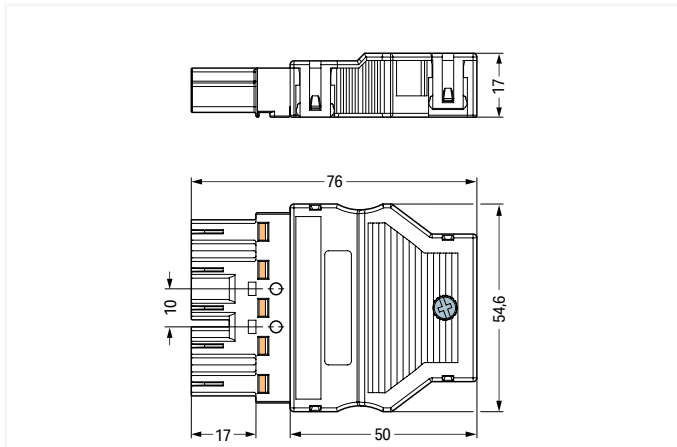
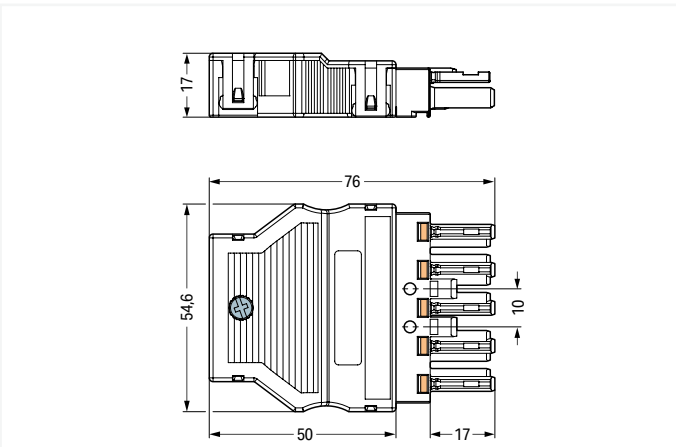
2

770-105

770-115

General mains applications				
Color	Coding	Marking	Item No.	PU
● black	A	N ⊕ L1 L2 L3	770-105	25
○ white	A	N ⊕ L1 L2 L3	770-125	25

General mains applications				
Color	Coding	Marking	Item No.	PU
● black	A	L3 L2 L1 ⊕ N	770-115	25
○ white	A	L3 L2 L1 ⊕ N	770-135	25



Overall length when mated

Overall length when mated

Item-Specific Accessories

Item-Specific Accessories



Lockout cap; for socket; separable; Pole number: 12

Color	Item No.	PU
● black	770-201	100
○ white	770-221	100



Lockout cap; for plugs; separable; Pole number: 5

Color	Item No.	PU
● yellow	770-360	100

Accessories; for all products on this page



Locking lever; for flying leads; manually operated

Color	Item No.	PU (SPU)
● black	770-101	100 (25)
○ white	770-121	100 (25)



Locking lever; for flying leads; tool operated

Color	Item No.	PU (SPU)
● black	770-111	100 (25)
○ white	770-131	100 (25)

PU = packaging unit; SPU = subpackaging unit; Dimensions in mm

Pluggable connectors ▶ WINSTA® MIDI ▶ 770 Series

Pole number: 5 ▶ Protection type: IP20

Female connector/socket ▶ Number of connection points 2



2

General mains applications

Color	Coding	Marking	Item No.	PU
● black	A	N ⊕ L1 L2 L3	770-205	50
○ white	A	N ⊕ L1 L2 L3	770-225	50

for "Clean Ground" applications

Color	Coding	Marking	Item No.	PU
● green	Q	N PE1 PE2 PE3 L	770-1325	50

Control technology

Color	Coding	Marking	Item No.	PU
○ gray	B	1 2 3 4 5	770-245	50
○ gray	B	N ⊕ L1 L2 L3	770-245/060-000	50
○ gray	B	N PE 3 2 1	770-245/062-000	50
○ gray	B	N ⊕ L 2L 1L	770-245/064-000	50
● light green	B	1 2 3 4 5	770-265	50
● light green	B	1 ⊕ 2 3 4	770-265/073-000	50
● pink	B	1 2 3 4 5	770-285	50
● pink	B	N ⊕ L I- I+	770-285/080-000	50
● pink	B	N ⊕ L - +	770-285/082-000	50

DALI, Lighting Management

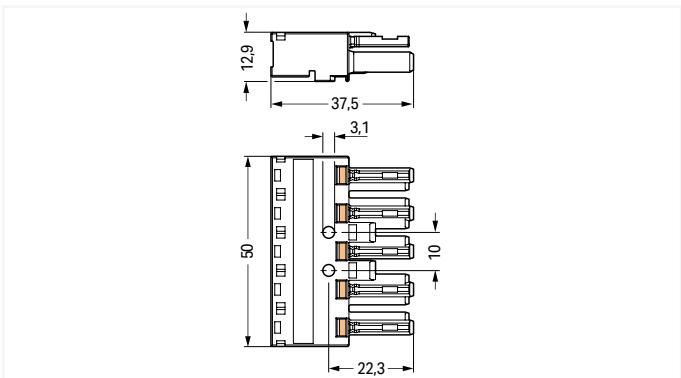
Color	Coding	Marking	Item No.	PU
● blue	I	N ⊕ L DA- DA+	770-1105	50

Emergency power supply

Color	Coding	Marking	Item No.	PU
● dark gray	L	N ⊕ L N' L'	770-1165	50

EDV (UPS)

Color	Coding	Marking	Item No.	PU
● red	P	N ⊕ L1 L2 L3	770-1305	50



Accessories; for all products on this page

Locking lever; for flying leads; manually operated

Color	Item No.	PU (SPU)
● black	770-101	100 (25)
○ white	770-121	100 (25)

Locking lever; for flying leads; tool operated

Color	Item No.	PU (SPU)
● black	770-111	100 (25)
○ white	770-131	100 (25)

Lockout cap; for socket; separable; Pole number: 12

Color	Item No.	PU
● black	770-201	100
○ white	770-221	100

Strain relief housing; Connectable sheathed cable diameter: 9 ... 13 mm; Strip length (outer insulation): 55 mm

Color	Item No.	PU
● black	770-505	25
○ white	770-515	25

Strain relief housing; Connectable sheathed cable diameter: 11.5 ... 16.5 mm; Strip length (outer insulation): 71 mm

Color	Item No.	PU
● black	770-505/021-000	25
○ white	770-515/021-000	25

Strain relief housing; Connectable sheathed cable diameter: 5 ... 9 mm; Strip length (outer insulation): 55 mm

Color	Item No.	PU
● black	770-505/023-000	25
○ white	770-515/023-000	25

PU = packaging unit; SPU = subpackaging unit; Dimensions in mm

Pluggable connectors ▶ WINSTA® MIDI ▶ 770 Series

Pole number: 5 ▶ Protection type: IP20

Male connector/plug ▶ Number of connection points 2



General mains applications

Color	Coding	Marking	Item No.	PU
● black	A	L3 L2 L1 ⊕ N	770-215	50
○ white	A	L3 L2 L1 ⊕ N	770-235	50

Control technology

Color	Coding	Marking	Item No.	PU
○ gray	B	5 4 3 2 1	770-255	50
○ gray	B	L3 L2 L1 ⊕ N	770-255/060-000	50
○ gray	B	1 2 3 PE N	770-255/062-000	50
○ gray	B	1L 2L L ⊕ N	770-255/064-000	50
● light green	B	5 4 3 2 1	770-275	50
● light green	B	4 3 2 ⊕ 1	770-275/073-000	50
● pink	B	5 4 3 2 1	770-295	50
● pink	B	I+ I- L ⊕ N	770-295/080-000	50
● pink	B	+ - L ⊕ N	770-295/082-000	50

DALI, Lighting Management

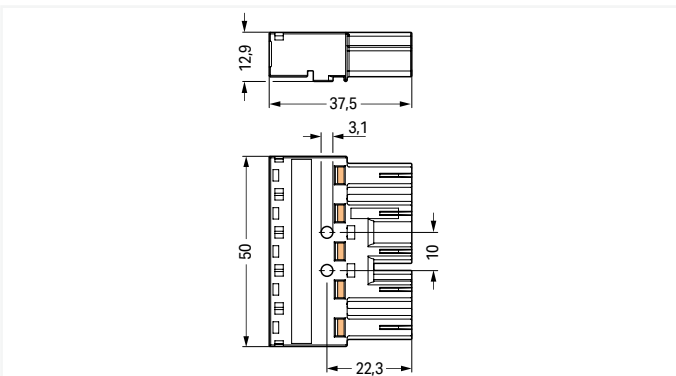
Color	Coding	Marking	Item No.	PU
● blue	I	DA+ DA- L ⊕ N	770-1115	50

Emergency power supply


Color	Coding	Marking	Item No.	PU
● dark gray	L	L' N' L ⊕ N	770-1175	50

EDV (UPS)


Color	Coding	Marking	Item No.	PU
● red	P	L3 L2 L1 ⊕ N	770-1315	50




Accessories; for all products on this page

 Locking lever; for flying leads; manually operated


Color	Item No.	PU (SPU)
● black	770-101	100 (25)
○ white	770-121	100 (25)

 Locking lever; for flying leads; tool operated


Color	Item No.	PU (SPU)
● black	770-111	100 (25)
○ white	770-131	100 (25)

 Strain relief housing; Connectable sheathed cable diameter: 9 ... 13 mm; Strip length (outer insulation): 55 mm


Color	Item No.	PU
● black	770-505	25
○ white	770-515	25

 Strain relief housing; Connectable sheathed cable diameter: 11.5 ... 16.5 mm; Strip length (outer insulation): 71 mm

Color	Item No.	PU
● black	770-505/021-000	25
○ white	770-515/021-000	25

 Strain relief housing; Connectable sheathed cable diameter: 5 ... 9 mm; Strip length (outer insulation): 55 mm

Color	Item No.	PU
● black	770-505/023-000	25
○ white	770-515/023-000	25

 Lockout cap; for plugs; separable; Pole number: 5

Color	Item No.	PU
● yellow	770-360	100

PU = packaging unit; SPU = subpackaging unit; Dimensions in mm

Pluggable connectors ▶ WINSTA® MIDI ▶ 770 Series

Pole number: 5 ▶ Protection type: IP20

Female connector/socket ▶ Strain relief housing ▶ Number of connection points 1
 ▶ Strip length (outer insulation): 55 mm ▶ Connectable sheathed cable diameter:
 9 ... 13 mm

Male connector/plug ▶ Strain relief housing ▶ Number of connection points 1 ▶ Strip
 length (outer insulation): 55 mm ▶ Connectable sheathed cable diameter: 9 ... 13 mm



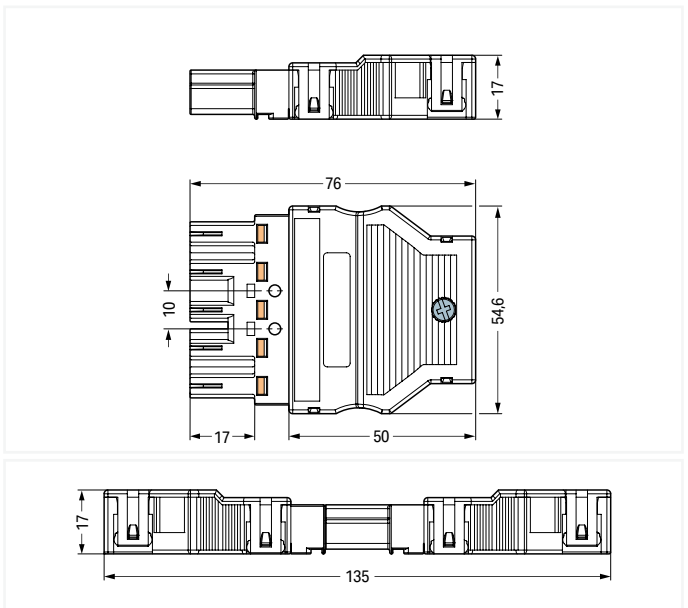
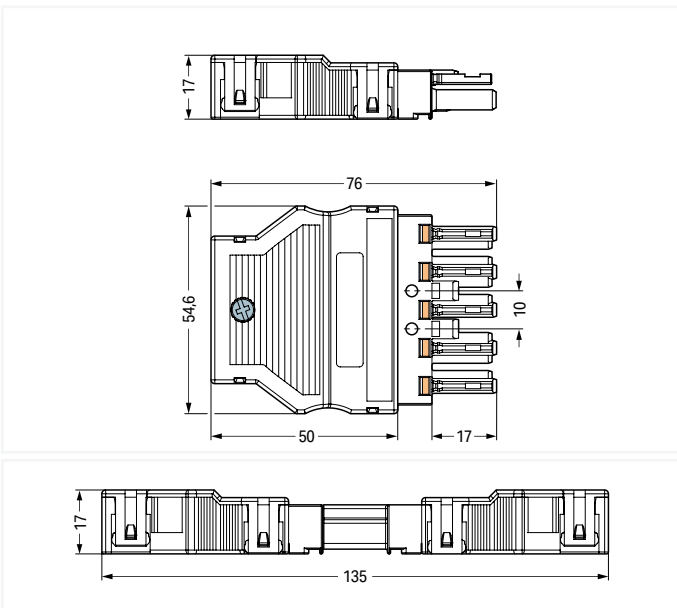
2

770-305

770-315

General mains applications				
Color	Coding	Marking	Item No.	PU
● black	A	N ⊕ L1 L2 L3	770-305	25
○ white	A	N ⊕ L1 L2 L3	770-325	25

General mains applications				
Color	Coding	Marking	Item No.	PU
● black	A	L3 L2 L1 ⊕ N	770-315	25
○ white	A	L3 L2 L1 ⊕ N	770-335	25



Overall length when mated

Overall length when mated

Item-Specific Accessories

Item-Specific Accessories



Lockout cap; for socket; separable;
 Pole number: 12

Color	Item No.	PU
● black	770-201	100
○ white	770-221	100



Lockout cap; for plugs; separable; Pole
 number: 5

Color	Item No.	PU
● yellow	770-360	100

Accessories; for all products on this page



Locking lever; for flying leads; manually
 operated

Color	Item No.	PU (SPU)
● black	770-101	100 (25)
○ white	770-121	100 (25)



Locking lever; for flying leads; tool
 operated

Color	Item No.	PU (SPU)
● black	770-111	100 (25)
○ white	770-131	100 (25)

PU = packaging unit; SPU = subpackaging unit; Dimensions in mm

Pluggable connectors ▶ WINSTA® MIDI ▶ 770 Series

Pole number: 5 ▶ Protection type: IP20

Female connector/socket ▶ Number of connection points 1

Male connector/plug ▶ Number of connection points 1

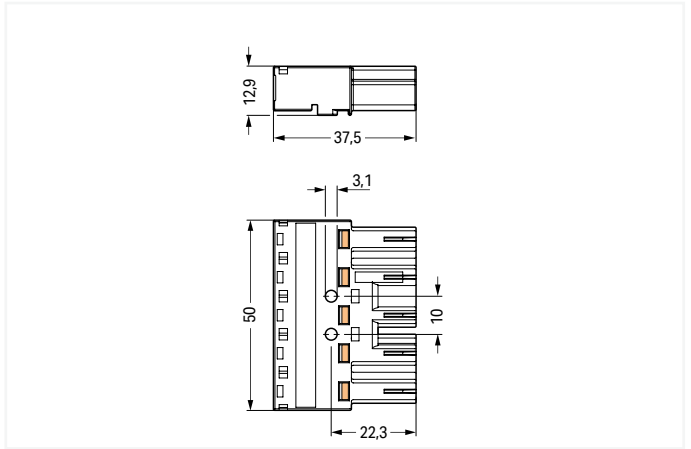
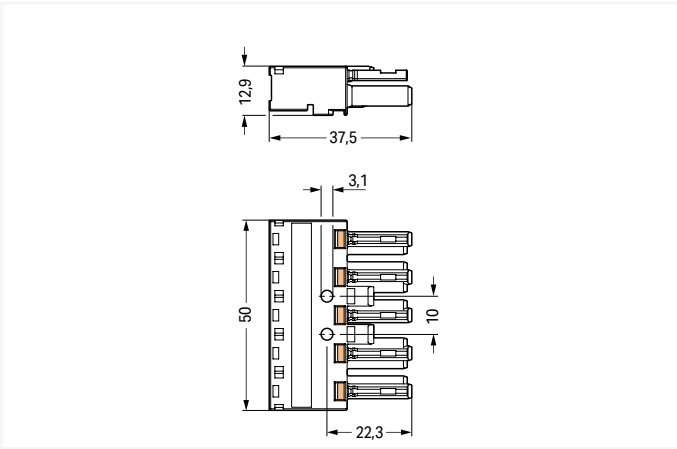


770-405

770-415

General mains applications				
Color	Coding	Marking	Item No.	PU
● black	A	N ⊕ L1 L2 L3	770-405	50
○ white	A	N ⊕ L1 L2 L3	770-425	50

General mains applications				
Color	Coding	Marking	Item No.	PU
● black	A	L3 L2 L1 ⊕ N	770-415	50
○ white	A	L3 L2 L1 ⊕ N	770-435	50



Item-Specific Accessories

Item-Specific Accessories



Lockout cap; for socket; separable; Pole number: 12

Color	Item No.	PU
● black	770-201	100
○ white	770-221	100



Lockout cap; for plugs; separable; Pole number: 5

Color	Item No.	PU
● yellow	770-360	100

Accessories; for all products on this page



Locking lever; for flying leads; manually operated

Color	Item No.	PU (SPU)
● black	770-101	100 (25)
○ white	770-121	100 (25)



Locking lever; for flying leads; tool operated

Color	Item No.	PU (SPU)
● black	770-111	100 (25)
○ white	770-131	100 (25)

PU = packaging unit; SPU = subpackaging unit; Dimensions in mm

Snap-in device connector ▶ WINSTA® MIDI ▶ 770 Series

Pole number: 5 ▶ Number of connection points 2 ▶ Protection type: IP20

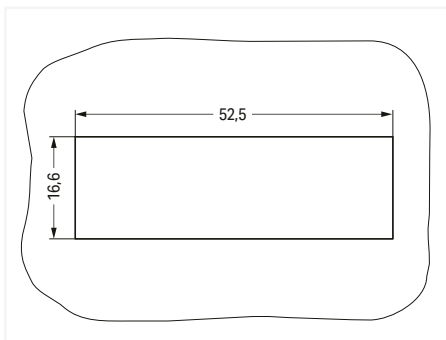


Plate thickness: 0.5 ... 2 mm
Cutout tolerance: + 0.1 mm

Please note!

Note:

The snap-in connectors must be relieved of tensile and transverse forces.

A surface finish can influence the edge radius of the cutouts. This may affect the snap-in socket fit, so ensure an adequate fit before use. In addition, the punched edge should be on the inside for punched cutouts.

The wings of the snap-in connectors must not be mechanically stressed for a long period before use (e.g., due to a pre-locking position).

All WINSTA® components are 100% protected against mismatching when:

- plugging different numbers of poles
- plugging while rotated 180
- plugging while laterally staggered
- plugging one pole

All connectors for mounted installations (snap-in versions for lighting fixtures or devices, all types of PCB and distribution connectors) are factory-equipped with locking levers to ensure plugs and sockets are securely locked. Additional locking levers are only required for flying leads (plug/socket).

- Protected against mismatching and maintenance-free
- Push-in CAGE CLAMP® spring pressure connection technology allows solid conductors to be simply pushed into a unit.
- Two wire connections per pole for loops or bridges
- Additional variable coding is possible.

Electrical data

Coding	A; I; P			B			Q		
Ratings per	IEC/EN 60664-1			IEC/EN 60664-1			IEC/EN 60664-1		
Overvoltage category	III	II	I	III	II	I	III	II	I
Pollution degree	3	2	2	3	2	2	3	2	2
Nominal voltage	400 V	-	-	400 V	-	-	400 V	-	-
Rated surge voltage	6 kV	-	-	6 kV	-	-	6 kV	-	-
Rated current	25 A	-	-	25 A	-	-	32 A	-	-
Rated current (note)				25 A for 3-pole load 20 A for 4- and 5-pole load					

Connection data

Connection technology	Push-in CAGE CLAMP®
Strip length	9 mm / 0.35 inches
Nominal cross-section	4 mm ² / 12 AWG
Solid conductor	0.5 ... 4 mm ² / 20 ... 12 AWG
Solid conductor; push-in termination	1.5 ... 4 mm ² / 16 ... 12 AWG
Stranded conductor	0.5 ... 2.5 mm ² / 20 ... 14 AWG
Fine-stranded conductor	0.5 ... 4 mm ² / 20 ... 12 AWG
Fine-stranded conductor; with insulated ferrule	0.25 ... 1.5 mm ² / 20 ... 16 AWG
Fine-stranded conductor; with uninsulated ferrule	0.25 ... 2.5 mm ² / 20 ... 14 AWG
Fine-stranded conductor; with ferrule; push-in termination	1.5 mm ² / 16 AWG

Material data

Insulation material (main housing)	Polyamide (PA66)
Flammability class per UL94	V0
Clamping spring material	Chrome-nickel spring steel (CrNi)
Contact material	Copper or copper alloy; surface-treated
Contact Plating	Tin

Mechanical data

Number of mating cycles	200, without resistive load
Mating force of a plug-in connection	approx. 20 ... 70 N (depending on pole number)
Unmating force of a plug-in connection	Unlocked: approx. 20 ... 70 N (depending on pole number)
Retention force of a plug-in connection	Locked: > 80 N
Protection type	IP20
Note on protection type	When mated: IP2xC (These compact connectors are not designed for use in open, easily accessible areas!)

Environmental requirements

Processing temperature	-5 ... +40 °C
Continuous operating temperature	-35 ... +85 °C
Note on continuous operating temperature	Insulating parts for temperatures ≤ 105 °C

Tool Page 394

See technical section for further information

Approvals and corresponding ratings, visit www.wago.com

Snap-in device connector ▶ WINSTA® MIDI ▶ 770 Series

Pole number: 5 ▶ Number of connection points 2 ▶ Protection type: IP20

Female connector/socket



770-705

General mains applications

Color	Coding	Marking	Item No.	PU
● black	A	N ⊕ L1 L2 L3	770-705	50
○ white	A	N ⊕ L1 L2 L3	770-725	50

Control technology

Color	Coding	Marking	Item No.	PU
○ gray	B	1 2 3 4 5	770-745	50
○ gray	B	N ⊕ L1 L2 L3	770-745/060-000	50
○ gray	B	N PE 3 2 1	770-745/062-000	50
○ gray	B	N ⊕ L 2L 1L	770-745/064-000	50
● light green	B	1 2 3 4 5	770-765	50
● light green	B	1 ⊕ 2 3 4	770-765/073-000	50
● pink	B	1 2 3 4 5	770-785	50
● pink	B	N ⊕ L I- I+	770-785/080-000	50
● pink	B	N ⊕ L - +	770-785/082-000	50

DALI, Lighting Management

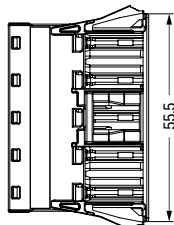
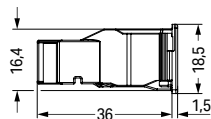
Color	Coding	Marking	Item No.	PU
● blue	I	N ⊕ L DA- DA+	770-2105	50

EDV (UPS)

Color	Coding	Marking	Item No.	PU
● red	P	N ⊕ L1 L2 L3	770-2305	50

for "Clean Ground" applications

Color	Coding	Marking	Item No.	PU
● green	Q	N PE1 PE2 PE3 L	770-2325	50



Accessories; for all products on this page



Lockout cap; for socket; separable;
Pole number: 12



Lockout cap; for cutout; Pole number: 5

Color	Item No.	PU
● black	770-201	100
○ white	770-221	100

Color	Item No.	PU
● black	770-645	100
○ white	770-695	100

PU = packaging unit; SPU = subpackaging unit; Dimensions in mm

Snap-in device connector ▶ WINSTA® MIDI ▶ 770 Series

Pole number: 5 ▶ Number of connection points 2 ▶ Protection type: IP20

Male connector/plug



2

770-715

General mains applications

Color	Coding	Marking	Item No.	PU
● black	A	L3 L2 L1 ⊕ N	770-715	50
○ white	A	L3 L2 L1 ⊕ N	770-735	50

Control technology

Color	Coding	Marking	Item No.	PU
○ gray	B	5 4 3 2 1	770-755	50
○ gray	B	L3 L2 L1 ⊕ N	770-755/060-000	50
○ gray	B	1 2 3 PE N	770-755/062-000	50
○ gray	B	1L 2L L ⊕ N	770-755/064-000	50
● light green	B	5 4 3 2 1	770-775	50
● light green	B	4 3 2 ⊕ 1	770-775/073-000	50
● pink	B	5 4 3 2 1	770-795	50
● pink	B	I+ I- L ⊕ N	770-795/080-000	50
● pink	B	+ - L ⊕ N	770-795/082-000	50

DALI, Lighting Management

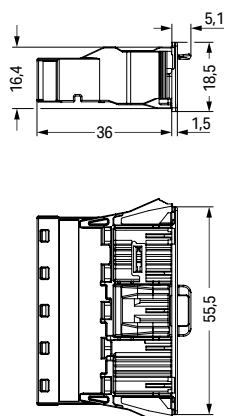
Color	Coding	Marking	Item No.	PU
● blue	I	DA+ DA- L ⊕ N	770-2115	50

EDV (UPS)

Color	Coding	Marking	Item No.	PU
● red	P	L3 L2 L1 ⊕ N	770-2315	50

for "Clean Ground" applications

Color	Coding	Marking	Item No.	PU
● green	Q	L PE3 PE2 PE1 N	770-2335	50



Accessories; for all products on this page



Lockout cap; for cutout; Pole number: 5



Lockout cap; for plugs; separable; Pole number: 5

Color	Item No.	PU
● black	770-645	100
○ white	770-695	100

Color	Item No.	PU
● yellow	770-360	100

PU = packaging unit; SPU = subpackaging unit; Dimensions in mm

Snap-in device connector ▶ WINSTA® MIDI ▶ 770 Series

Pole number: 5 ▶ Number of connection points 2 ▶ Protection type: IP20

Female connector/socket ▶ with protruding interface

Male connector/plug ▶ with direct ground contact



770-705/009-000

770-715/007-000

General mains applications

Color	Coding	Marking	Item No.	PU
● black	A	N ⊕ L1 L2 L3	770-705/009-000	50
○ white	A	N ⊕ L1 L2 L3	770-725/009-000	50

General mains applications

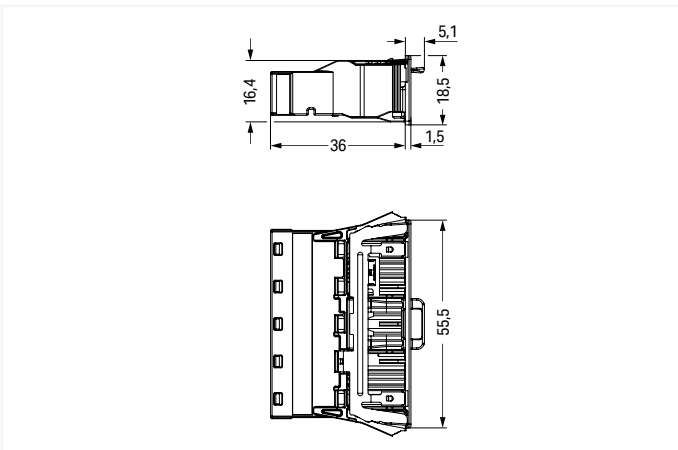
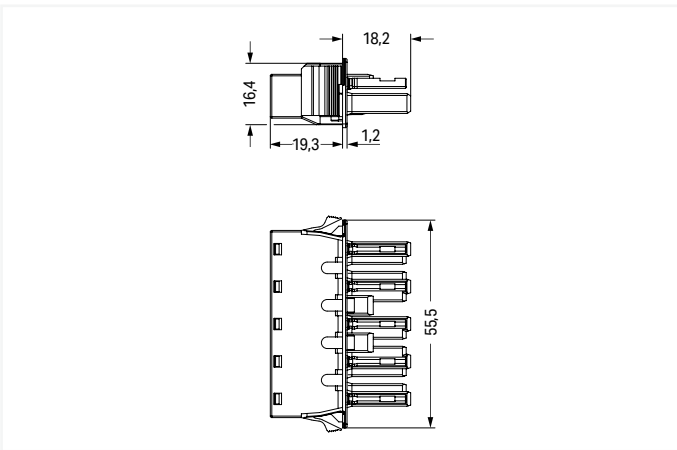
Color	Coding	Marking	Item No.	PU
● black	A	L3 L2 L1 ⊕ N	770-715/007-000	50
○ white	A	L3 L2 L1 ⊕ N	770-735/007-000	50

DALI, Lighting Management

Color	Coding	Marking	Item No.	PU
● blue	I	DA+ DA- L ⊕ N	770-2115/007-000	50

for "Clean Ground" applications

Color	Coding	Marking	Item No.	PU
● green	Q	L PE3 PE2 PE1 N	770-2335/007-000	50



Item-Specific Accessories



Lockout cap; for socket; separable; Pole number: 12

Color	Item No.	PU
● black	770-201	100
○ white	770-221	100



Lockout cap; for plugs; separable; Pole number: 5

Color	Item No.	PU
● yellow	770-360	100

Accessories; for all products on this page



Lockout cap; for cutout; Pole number: 5

Color	Item No.	PU
● black	770-645	100
○ white	770-695	100

PU = packaging unit; SPU = subpackaging unit; Dimensions in mm

Pluggable PCB connector ▶ WINSTA® MIDI ▶ 770 Series

Pole number: 5



- Protected against mismatching and maintenance-free
- Push-in CAGE CLAMP® spring pressure connection technology for direct termination of solid conductors
- Additional variable coding possible

Electrical data						
Coding	A; I			B		
Ratings per	IEC/EN 60664-1			IEC/EN 60664-1		
Overvoltage category	III	III	II	III	III	II
Pollution degree	3	2	2	3	2	2
Nominal voltage	400 V	-	-	400 V	-	-
Rated surge voltage	6 kV	-	-	6 kV	-	-
Rated current	25 A	-	-	25 A	-	-
Rated current (note)				25 A for 3-pole load 20 A for 4- and 5-pole load		
Material data						
Insulation material (main housing)	Polyamide (PA66)					
Flammability class per UL94	V0					
Clamping spring material	Chrome-nickel spring steel (CrNi)					
Contact material	Copper or copper alloy; surface-treated					
Contact Plating	Tin					
Mechanical data						
Solder pin arrangement	2 in-line solder pins/pole					
Number of solder pins per potential	2					
Solder pin length	3.5 mm					
Solder pin dimensions	1 x 0.8 mm					
Drilled hole diameter with tolerance	1.5 ^{+0.1...+0.1} mm					
Number of mating cycles	200, without resistive load					
Mating force of a plug-in connection	approx. 20 ... 70 N (depending on pole number)					
Unmating force of a plug-in connection	Unlocked: approx. 20 ... 70 N (depending on pole number)					
Retention force of a plug-in connection	Locked: > 80 N					
Environmental requirements						
Processing temperature	-5 ... +40 °C					
Continuous operating temperature	-35 ... +85 °C					
Note on continuous operating temperature	Insulating parts for temperatures ≤ 105 °C					

Note:

All WINSTA® components are 100% protected against mismatching when:

- plugging different numbers of poles
- plugging while rotated 180
- plugging while laterally staggered
- plugging one pole

All connectors for mounted installations (snap-in versions for lighting fixtures or devices, all types of PCB and distribution connectors) are factory-equipped with locking levers to ensure plugs and sockets are securely locked. Additional locking levers are only required for flying leads (plug/socket).

Coding Page 373

See technical section for further information

Approvals and corresponding ratings, visit www.wago.com

Pluggable PCB connector ▶ WINSTA® MIDI ▶ 770 Series

Pole number: 5

Female connector/socket ▶ straight



770-805

Male connector/plug ▶ straight



770-815

General mains applications

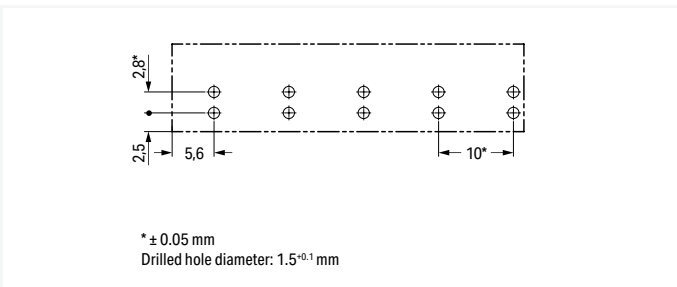
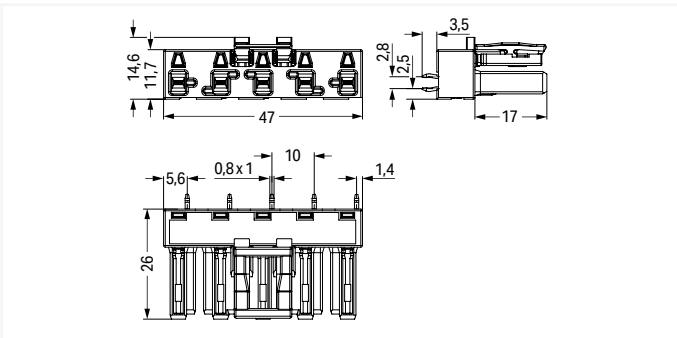
Color	Coding	Marking	Item No.	PU
● black	A	N ⊕ L1 L2 L3	770-805	50
○ white	A	N ⊕ L1 L2 L3	770-825	50

Control technology

Color	Coding	Marking	Item No.	PU
○ gray	B	1 2 3 4 5	770-845	50
○ gray	B	N ⊕ L1 L2 L3	770-845/060-000	50
○ gray	B	N PE 3 2 1	770-845/062-000	50
○ gray	B	N ⊕ L 2L 1L	770-845/064-000	50
● light green	B	1 2 3 4 5	770-865	50
● light green	B	1 ⊕ 2 3 4	770-865/073-000	50
● pink	B	1 2 3 4 5	770-885	50
● pink	B	N ⊕ L I- I+	770-885/080-000	50
● pink	B	N ⊕ L - +	770-885/082-000	50

DALI, Lighting Management

Color	Coding	Marking	Item No.	PU
● blue	I	N ⊕ L DA- DA+	770-3105	50



Item-Specific Accessories



Lockout cap; for socket; separable; Pole number: 12

Color	Item No.	PU
● black	770-201	100
○ white	770-221	100

General mains applications

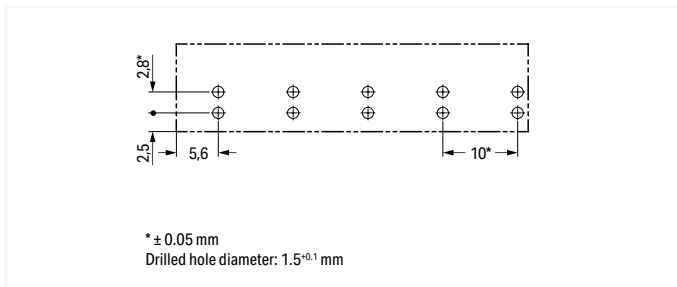
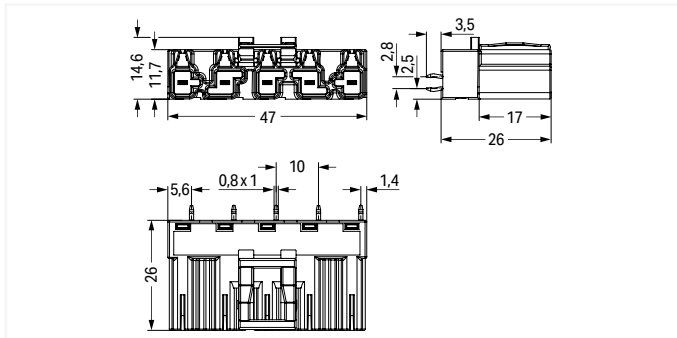
Color	Coding	Marking	Item No.	PU
● black	A	L3 L2 L1 ⊕ N	770-815	50
○ white	A	L3 L2 L1 ⊕ N	770-835	50

Control technology

Color	Coding	Marking	Item No.	PU
○ gray	B	5 4 3 2 1	770-855	50
○ gray	B	L3 L2 L1 ⊕ N	770-855/060-000	50
○ gray	B	1 2 3 PE N	770-855/062-000	50
○ gray	B	1L 2L L ⊕ N	770-855/064-000	50
● light green	B	5 4 3 2 1	770-875	50
● light green	B	4 3 2 ⊕ 1	770-875/073-000	50
● pink	B	5 4 3 2 1	770-895	50
● pink	B	I+ I- L ⊕ N	770-895/080-000	50
● pink	B	+ - L ⊕ N	770-895/082-000	50

DALI, Lighting Management

Color	Coding	Marking	Item No.	PU
● blue	I	DA+ DA- L ⊕ N	770-3115	50



Item-Specific Accessories



Lockout cap; for plugs; separable; Pole number: 5

Color	Item No.	PU
● yellow	770-360	100

PU = packaging unit; SPU = subpackaging unit; Dimensions in mm

Pluggable PCB connector ▶ WINSTA® MIDI ▶ 770 Series

Pole number: 5

Female connector/socket ▶ angled



770-805/011-000

Male connector/plug ▶ angled



770-815/011-000

General mains applications

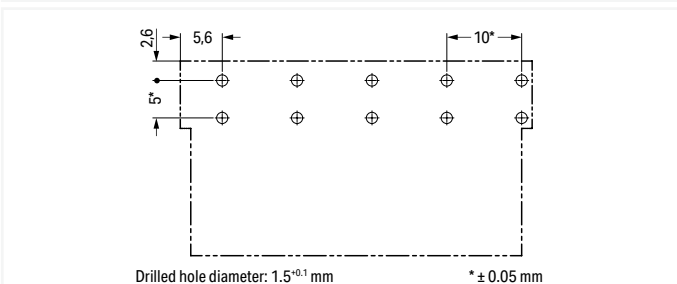
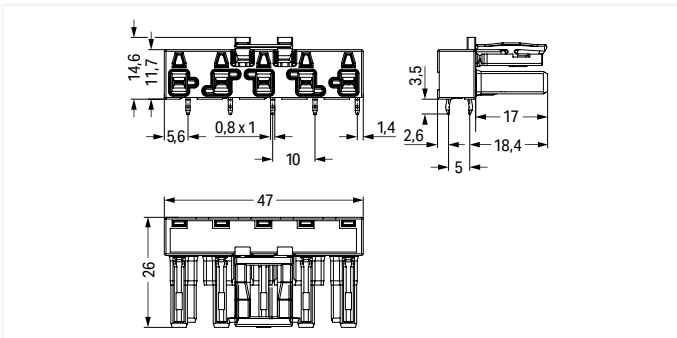
Color	Coding	Marking	Item No.	PU
● black	A	N ⊕ L1 L2 L3	770-805/011-000	50
○ white	A	N ⊕ L1 L2 L3	770-825/011-000	50

Control technology

Color	Coding	Marking	Item No.	PU
○ gray	B	1 2 3 4 5	770-845/011-000	50
○ gray	B	N ⊕ L1 L2 L3	770-845/011-000/060-000	50
○ gray	B	N PE 3 2 1	770-845/011-000/062-000	50
○ gray	B	N ⊕ L 2L 1L	770-845/011-000/064-000	50
● light green	B	1 2 3 4 5	770-865/011-000	50
● pink	B	N ⊕ L I- I+	770-885/011-000/080-000	50
● pink	B	1 2 3 4 5	770-885/011-000	50
● pink	B	N ⊕ L - +	770-885/011-000/082-000	50

DALI, Lighting Management

Color	Coding	Marking	Item No.	PU
● blue	I	N ⊕ L DA- DA+	770-3105/011-000	50



Item-Specific Accessories



Lockout cap; for socket; separable; Pole number: 12

Color	Item No.	PU
● black	770-201	100
○ white	770-221	100

General mains applications

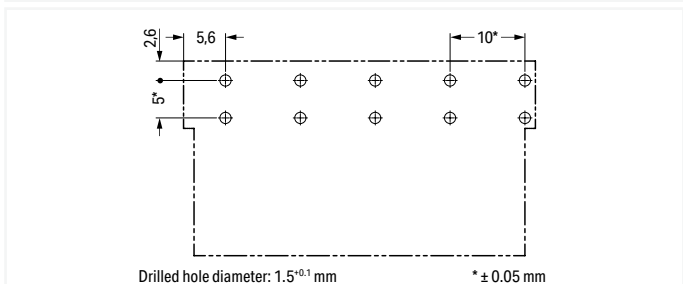
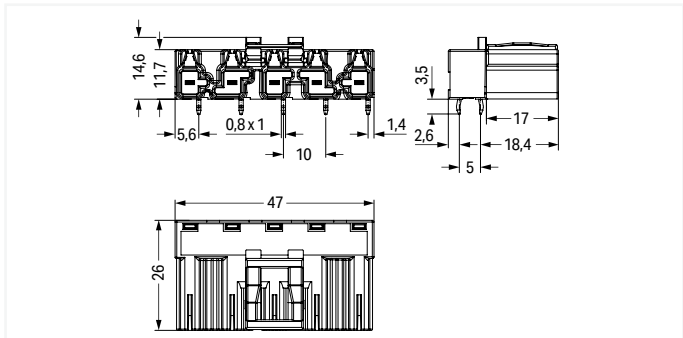
Color	Coding	Marking	Item No.	PU
● black	A	L3 L2 L1 ⊕ N	770-815/011-000	50
○ white	A	L3 L2 L1 ⊕ N	770-835/011-000	50

Control technology

Color	Coding	Marking	Item No.	PU
○ gray	B	5 4 3 2 1	770-855/011-000	50
○ gray	B	L3 L2 L1 ⊕ N	770-855/011-000/060-000	50
○ gray	B	1 2 3 PE N	770-855/011-000/062-000	50
○ gray	B	1L 2L L ⊕ N	770-855/011-000/064-000	50
● light green	B	5 4 3 2 1	770-875/011-000	50
● light green	B	4 3 2 ⊕ 1	770-875/011-000/073-000	50
● pink	B	I+ I- L ⊕ N	770-895/011-000/080-000	50
● pink	B	5 4 3 2 1	770-895/011-000	50
● pink	B	+ - L ⊕ N	770-895/011-000/082-000	50

DALI, Lighting Management

Color	Coding	Marking	Item No.	PU
● blue	I	DA+ DA- L ⊕ N	770-3115/011-000	50



Item-Specific Accessories



Lockout cap; for plugs; separable; Pole number: 5

Color	Item No.	PU
● yellow	770-360	100

PU = packaging unit; SPU = subpackaging unit; Dimensions in mm

Distribution connector ▶ WINSTA® MIDI ▶ 770 Series

Pole number: 5



- Protected against mismatching and maintenance-free
- Additional variable coding is possible.

Electrical data						
Coding	A; I; P; L			B		
Ratings per	IEC/EN 60664-1			IEC/EN 60664-1		
Overvoltage category	III	III	II	III	III	II
Pollution degree	3	2	2	3	2	2
Nominal voltage	400 V	-	-	400 V	-	-
Rated surge voltage	6 kV	-	-	6 kV	-	-
Rated current	25 A	-	-	25 A	-	-
Rated current (note)				25 A for 3-pole load 20 A for 4- and 5-pole load		
Material data						
Insulation material (main housing)	Polyamide (PA66)					
Flammability class per UL94	V0					
Contact material	Copper or copper alloy; surface-treated					
Contact Plating	Tin					
Mechanical data						
Number of mating cycles	200, without resistive load					
Mating force of a plug-in connection	Approx. 20 ... 70 N (depending on pole number)					
Unmating force of a plug-in connection	Unlocked: approx. 20 ... 70 N (depending on pole number)					
Retention force of a plug-in connection	When locked: > 80 N					
Protection type	IP20					
Note on protection type	When mated: IP2xC (These compact connectors are not designed for use in open, easily accessible areas!)					
Number of inputs	1					
Environmental requirements						
Processing temperature	-5 ... +40 °C					
Continuous operating temperature	-35 ... +85 °C					
Note on continuous operating temperature	Insulating parts for temperatures ≤ 105 °C					

Note:

At least one snap-in connector **WITHOUT** a locking lever is required on one side when connecting two lights directly via intermediate coupler.

All WINSTA® components are 100% protected against mismatching when:

- plugging different numbers of poles
- plugging while rotated 180
- plugging while laterally staggered
- plugging one pole

All connectors for mounted installations (snap-in versions for lighting fixtures or devices, all types of PCB and distribution connectors) are factory-equipped with locking levers to ensure plugs and sockets are securely locked. Additional locking levers are only required for flying leads (plug/socket).

Tool Page 394

See technical section for further information

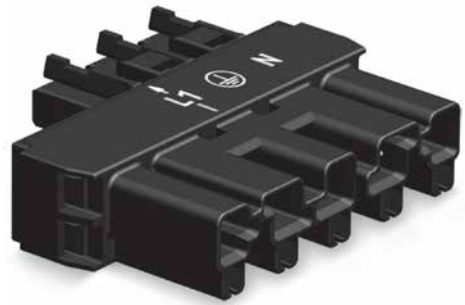
Approvals and corresponding ratings, visit www.wago.com

Distribution connector ▶ WINSTA® MIDI ▶ 770 Series

Pole number: 5

Intermediate coupler

5- to 3-pole; L1 - L



2

770-605

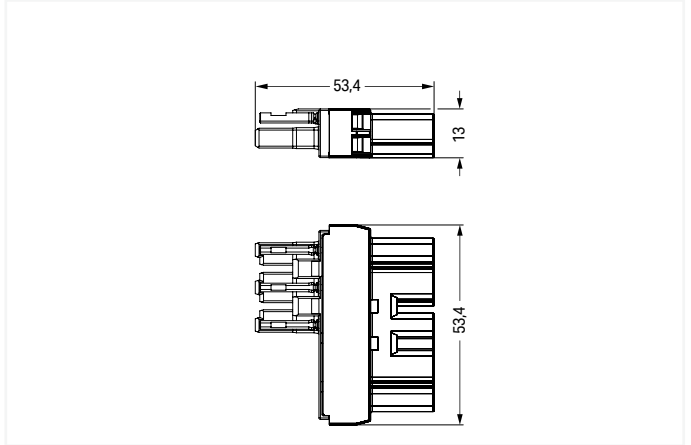
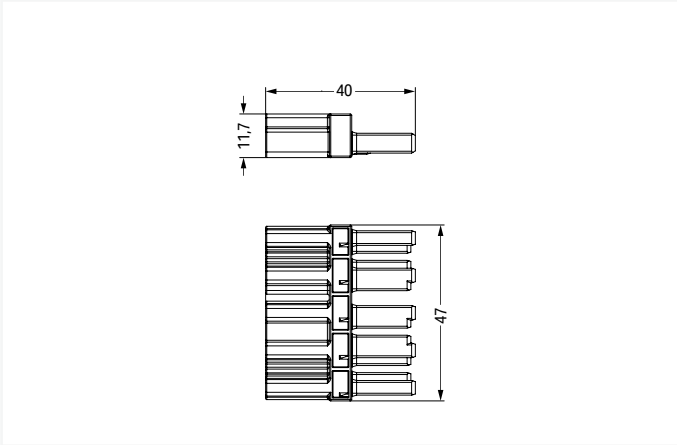
General mains applications				
Color	Coding	Marking	Item No.	PU
● black	A	plain	770-605	100
○ white	A	plain	770-655	100

DALI, Lighting Management				
Color	Coding	Marking	Item No.	PU
● blue	I	plain	770-619	100

770-901

General mains applications				
Color	Coding	Marking	Item No.	PU
● black	A	L1 - L ⊕ N	770-901	50
○ white	A	L1 - L ⊕ N	770-951	50

EDV (UPS)				
Color	Coding	Marking	Item No.	PU
● red	P	L1 - L ⊕ N	770-911	50



Accessories; for all products on this page



Lockout cap; for socket; separable; Pole number: 12



Lockout cap; for plugs; separable; Pole number: 5

Color	Item No.	PU
● black	770-201	100
○ white	770-221	100

Color	Item No.	PU
● yellow	770-360	100

PU = packaging unit; SPU = subpackaging unit; Dimensions in mm

Distribution connector ▶ WINSTA® MIDI ▶ 770 Series

Pole number: 5

Intermediate coupler

5- to 3-pole; L2 - L

5- to 3-pole; L3 - L



770-902

770-903

General mains applications

Color	Coding	Marking	Item No.	PU
● black	A	L2 - L ⊕ N	770-902	50
○ white	A	L2 - L ⊕ N	770-952	50

General mains applications

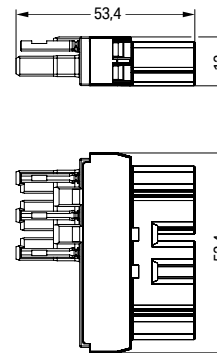
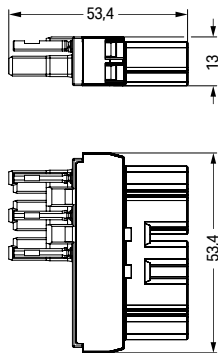
Color	Coding	Marking	Item No.	PU
● black	A	L3 - L ⊕ N	770-903	50
○ white	A	L3 - L ⊕ N	770-953	50

EDV (UPS)

Color	Coding	Marking	Item No.	PU
● red	P	L2 - L ⊕ N	770-912	50

EDV (UPS)

Color	Coding	Marking	Item No.	PU
● red	P	L3 - L ⊕ N	770-913	50



Accessories; for all products on this page



Lockout cap; for socket; separable; Pole number: 12



Lockout cap; for plugs; separable; Pole number: 5

Color	Item No.	PU
● black	770-201	100
○ white	770-221	100

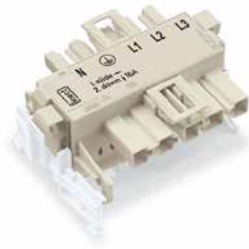
Color	Item No.	PU
● yellow	770-360	100

PU = packaging unit; SPU = subpackaging unit; Dimensions in mm

Distribution connector ▶ WINSTA® MIDI ▶ 770 Series

Pole number: 5

Linect® T-connector



General mains applications

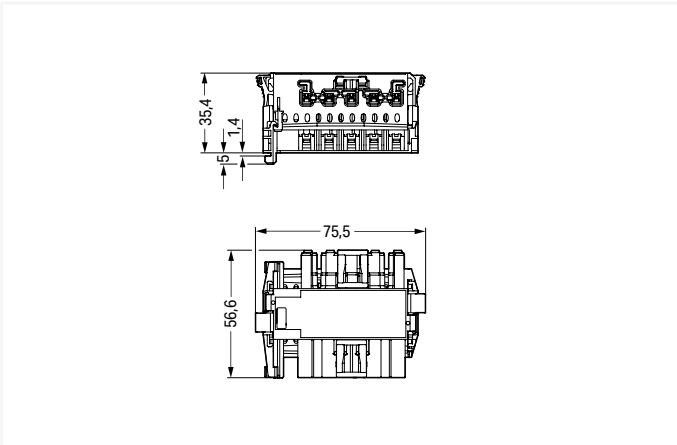
Color	Coding	Marking	Item No.	PU
○ white	A	N ⊕ L1 L2 L3	770-6225	20

DALI, Lighting Management

Color	Coding	Marking	Item No.	PU
● blue	I	N ⊕ L DA- DA+	770-7105	20

Emergency power supply

Color	Coding	Marking	Item No.	PU
○ white	L	N ⊕ L N' L'	770-7505	20



2

Accessories; for all products on this page



Lockout cap; for socket; separable; Pole number: 12



Lockout cap; for plugs; separable; Pole number: 5

Color	Item No.	PU
● black	770-201	100
○ white	770-221	100

Color	Item No.	PU
● yellow	770-360	100

PU = packaging unit; SPU = subpackaging unit; Dimensions in mm

Distribution connector ▶ WINSTA® MIDI ▶ 770 Series

Pole number: 5

T-distribution connector

Number of locking levers: 2

for flying leads ▶ Number of locking levers: 3



2

770-621

770-622

General mains applications

Color	Coding	Marking	Item No.	PU
● black	A	L3 L2 L1 ⊕ N	770-621	50
○ white	A	L3 L2 L1 ⊕ N	770-671	50

Control technology

Color	Coding	Marking	Item No.	PU
○ gray	B	5 4 3 2 1	770-1641	50
● light green	B	5 4 3 2 1	770-1642	50
● pink	B	5 4 3 2 1	770-1643	50

DALI, Lighting Management

Color	Coding	Marking	Item No.	PU
● blue	I	DA+ DA- L ⊕ N	770-617	50

EDV (UPS)

Color	Coding	Marking	Item No.	PU
● red	P	L3 L2 L1 ⊕ N	770-921	50

General mains applications

Color	Coding	Marking	Item No.	PU
● black	A	L3 L2 L1 ⊕ N	770-622	50
○ white	A	L3 L2 L1 ⊕ N	770-672	50

Control technology

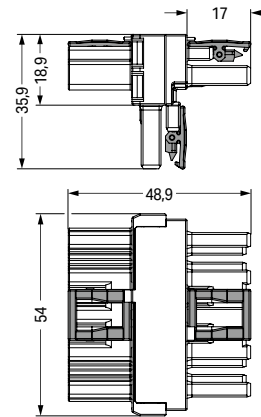
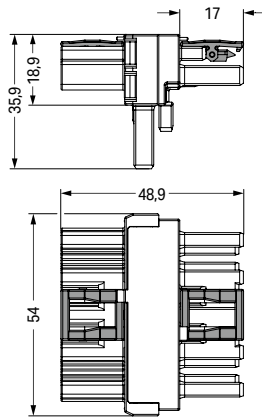
Color	Coding	Marking	Item No.	PU
○ gray	B	5 4 3 2 1	770-1741	50
● light green	B	5 4 3 2 1	770-1742	50
● pink	B	5 4 3 2 1	770-1743	50

DALI, Lighting Management

Color	Coding	Marking	Item No.	PU
● blue	I	DA+ DA- L ⊕ N	770-620	50

EDV (UPS)

Color	Coding	Marking	Item No.	PU
● red	P	L3 L2 L1 ⊕ N	770-922	50



Accessories; for all products on this page



Lockout cap; for socket; separable; Pole number: 12



Mounting carrier; for T-distribution connectors; 2- to 5-pole



Lockout cap; for plugs; separable; Pole number: 5

Color	Item No.	PU
● black	770-201	100
○ white	770-221	100

Color	Item No.	PU
● silver-colored	770-354	50

Color	Item No.	PU
● yellow	770-360	100

PU = packaging unit; SPU = subpackaging unit; Dimensions in mm

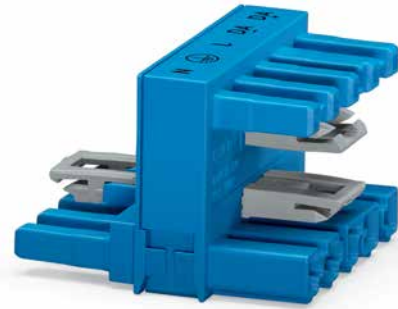
Distribution connector ▶ WINSTA® MIDI ▶ 770 Series

Pole number: 5

h-distribution connector, outputs at both ends

Number of locking levers: 2

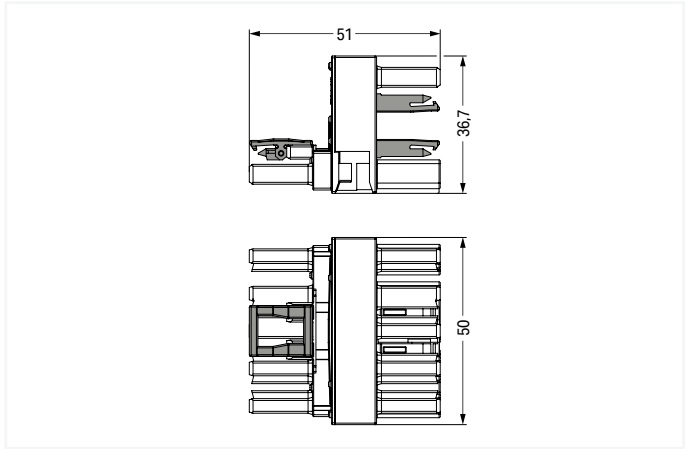
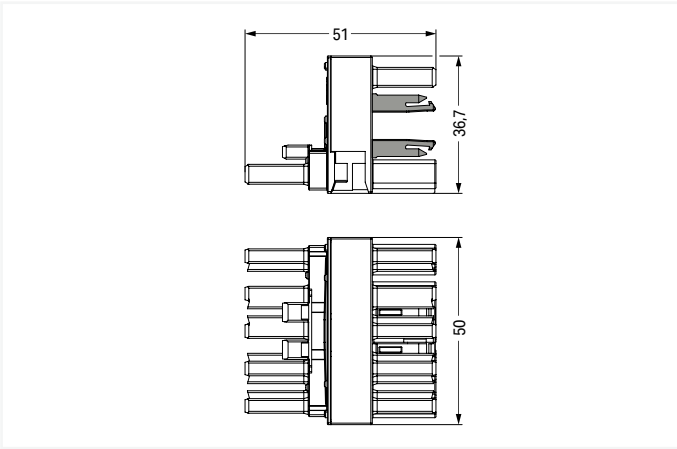
for flying leads ▶ Number of locking levers: 3



770-992

DALI, Lighting Management				
Color	Coding	Marking	Item No.	PU
● blue	I	N ⊕ L DA- DA+	770-992	25

DALI, Lighting Management				
Color	Coding	Marking	Item No.	PU
● blue	I	N ⊕ L DA- DA+	770-993	25



2

Accessories; for all products on this page



Lockout cap; for socket; separable; Pole number: 12



Mounting plate; for distribution connectors (except T-distribution connectors); 5-pole



Lockout cap; for plugs; separable; Pole number: 5

Color	Item No.	PU
● black	770-201	100
○ white	770-221	100

Color	Item No.	PU
● black	770-625	25
○ white	770-675	25

Color	Item No.	PU
● yellow	770-360	100

PU = packaging unit; SPU = subpackaging unit; Dimensions in mm

Distribution connector ▶ WINSTA® MIDI ▶ 770 Series

Pole number: 5

Distribution connector, 3-way ▶ Number of locking levers: 4



770-609

General mains applications

Color	Coding	Marking	Item No.	PU
● black	A	N ⊕ L1 L2 L3	770-609	25
○ white	A	N ⊕ L1 L2 L3	770-659	25

Control technology

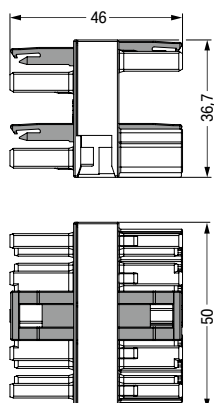
Color	Coding	Marking	Item No.	PU
○ gray	B	1 2 3 4 5	770-1744	25
● light green	B	1 2 3 4 5	770-1745	25
● pink	B	1 2 3 4 5	770-1746	25

DALI, Lighting Management

Color	Coding	Marking	Item No.	PU
● blue	I	N ⊕ L DA- DA+	770-618	25

EDV (UPS)

Color	Coding	Marking	Item No.	PU
● red	P	N ⊕ L1 L2 L3	770-909	25



Accessories; for all products on this page

Lockout cap; for socket; separable;
Pole number: 12Mounting plate; for distribution connectors (except T-distribution connectors);
5-poleLockout cap; for plugs; separable; Pole
number: 5

Color	Item No.	PU
● black	770-201	100
○ white	770-221	100

Color	Item No.	PU
● black	770-625	25
○ white	770-675	25

Color	Item No.	PU
● yellow	770-360	100

PU = packaging unit; SPU = subpackaging unit; Dimensions in mm

Distribution connector ▶ WINSTA® MIDI ▶ 770 Series

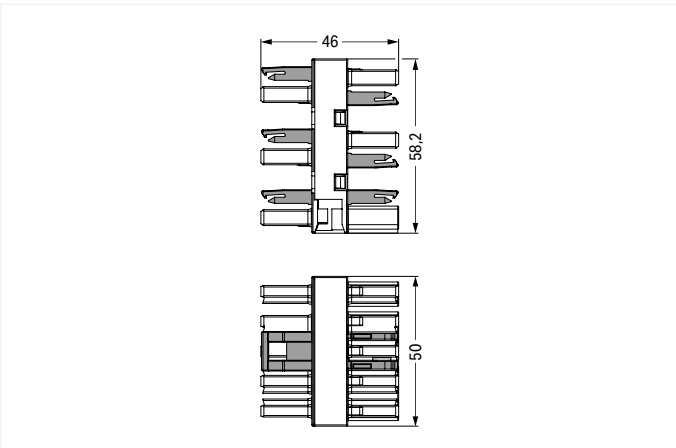
Pole number: 5

Distribution connector, 5-way ▶ Number of locking levers: 6



770-1947

DALI, Lighting Management				
Color	Coding	Marking	Item No.	PU
● blue	I	N ⊕ L DA- DA+	770-1947	20



2

Accessories; for all products on this page



Lockout cap; for socket; separable; Pole number: 12

Color	Item No.	PU
● black	770-201	100
○ white	770-221	100



Mounting plate; for distribution connectors (except T-distribution connectors); 5-pole

Color	Item No.	PU
● black	770-625	25
○ white	770-675	25



Lockout cap; for plugs; separable; Pole number: 5

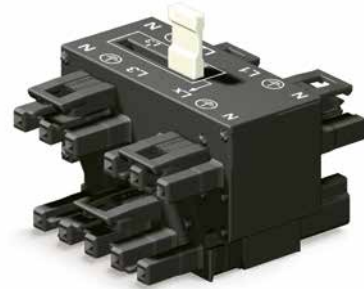
Color	Item No.	PU
● yellow	770-360	100

PU = packaging unit; SPU = subpackaging unit; Dimensions in mm

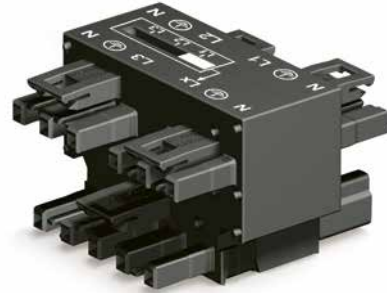
Distribution connector ▶ WINSTA® MIDI ▶ 770 Series

Pole number: 5

Three-phase to single-phase distribution connector ▶ Number of locking levers: 6



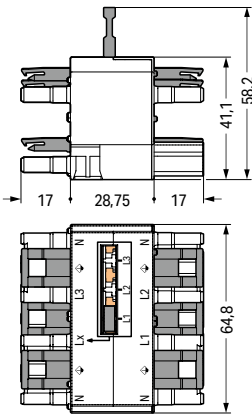
Movable jumper



Jumper pushed down, flush with the housing (position L1)



Additional h-distribution connectors double L1 and L3.
This results in the following connection option:
L1/L1/L2/L2/L3/L3 with jumper in position L2
Notice: h-distribution connectors can only be plugged on L1 and L3.



General mains applications

Color	Coding	Marking	Item No.	PU
● black	A	N ⊕ L1 L2 L3	770-640	10
○ white	A	N ⊕ L1 L2 L3	770-690	10

EDV (UPS)

Color	Coding	Marking	Item No.	PU
● red	P	N ⊕ L1 L2 L3	770-940	10

Accessories; for all products on this page



Lockout cap; for socket; separable; Pole number: 12



Mounting plate; for distribution connectors (except T-distribution connectors); 5-pole



Lockout cap; for plugs; separable; Pole number: 5

Color	Item No.	PU
● black	770-201	100
○ white	770-221	100

Color	Item No.	PU
● black	770-625	25
○ white	770-675	25

Color	Item No.	PU
● yellow	770-360	100

PU = packaging unit; SPU = subpackaging unit; Dimensions in mm

Distribution connector ▶ WINSTA® MIDI ▶ 770 Series

Pole number: 5

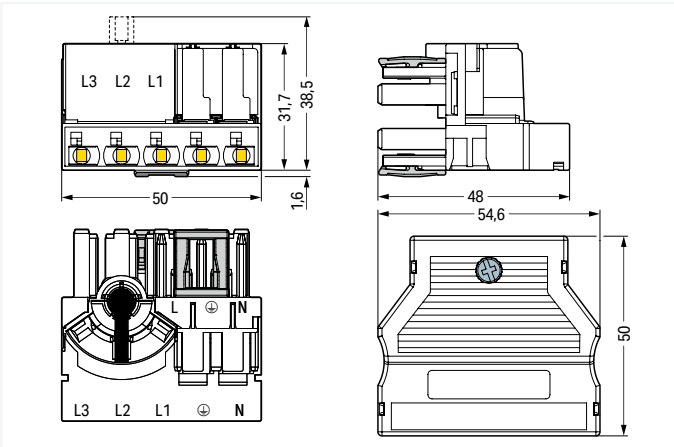
Distribution connector with phase selection ▶ Number of locking levers: 2



770-611

General mains applications

Color	Coding	Marking	Item No.	PU
● black	A	N ⊕ L1 L2 L3	770-611	10
○ white	A	N ⊕ L1 L2 L3	770-661	10



Lift jumper out of delivery position (L2) using a screwdriver and move it into the desired position.



Push down jumper in its new position (picture shows L3).



The 5-pole energy circuit can be extended using pluggable cable assemblies.



Plugging a 3-pole tap-off cable.

Accessories; for all products on this page



Lockout cap; for socket; separable; Pole number: 12



Mounting plate; for distribution connectors (except T-distribution connectors); 5-pole



Lockout cap; for plugs; separable; Pole number: 5

Color	Item No.	PU
● black	770-201	100
○ white	770-221	100

Color	Item No.	PU
● black	770-625	25
○ white	770-675	25

Color	Item No.	PU
● yellow	770-360	100

PU = packaging unit; SPU = subpackaging unit; Dimensions in mm

Cable assembly ▶ WINSTA® MIDI ▶ 771 Series

Pole number: 5 ▶ Fire class per EN 50575: E_{ca} ▶ Protection type: IP20

- Protected against mismatching and maintenance-free
- Additional variable coding is possible.

Electrical data									
Coding	A; B; I; L; P			A; I; L; P			A		
Wire cross-section	1.5 mm ²			2.5 mm ²			4 mm ²		
Ratings per	IEC/EN 60664-1			IEC/EN 60664-1			IEC/EN 60664-1		
Overtoltage category	III	III	II	III	III	II	III	III	II
Pollution degree	3	2	2	3	2	2	3	2	2
Nominal voltage	400 V	-	-	400 V	-	-	400 V	-	-
Rated surge voltage	6 kV	-	-	6 kV	-	-	6 kV	-	-
Rated current	16 A	-	-	20 A	-	-	25 A	-	-

Electrical data									
Coding	B			I					
Wire cross-section	1 mm ²			1.5 mm ²					
Ratings per	IEC/EN 60664-1			IEC/EN 60664-1					
Overtoltage category	III	III	II	III	III	II			
Pollution degree	3	2	2	3	2	2			
Nominal voltage	400 V	-	-	250 V	-	-			
Rated surge voltage	6 kV	-	-	4 kV	-	-			
Rated current	10 A	-	-	16 A	-	-			

Material data	
Insulation material (main housing)	Polyamide (PA66)
Contact material	Copper or copper alloy; surface-treated
Contact Plating	Tin
Fire class per EN 50575	E _{ca}

Mechanical data	
Number of mating cycles	200, without resistive load
Mating force of a plug-in connection	approx. 20 ... 70 N (depending on pole number)
Unmating force of a plug-in connection	when unlocked: approx. 20 ... 70 N (depending on pole number)
Retention force of a plug-in connection	when locked: > 80N
Protection type	IP20
Note on protection type	When mated: IP2xC (These compact connectors are not designed for use in open, easily accessible areas!)

Environmental requirements	
Processing temperature	-5 ... +40 °C
Continuous operating temperature	-35 ... +85 °C
Note on continuous operating temperature	Cable for temperatures ≤ 70 °C (including halogen-free) Insulating parts for temperatures ≤ 105 °C

Note:

Cables with a different fire class can be found in the eS-hop.

All WINSTA® components are 100% protected against mismatching when:

- plugging different numbers of poles
- plugging while rotated 180
- plugging while laterally staggered
- plugging one pole

All connectors for mounted installations (snap-in versions for lighting fixtures or devices, all types of PCB and distribution connectors) are factory-equipped with locking levers to ensure plugs and sockets are securely locked. Additional locking levers are only required for flying leads (plug/socket).

Cover Page 223

Locking system Page 223

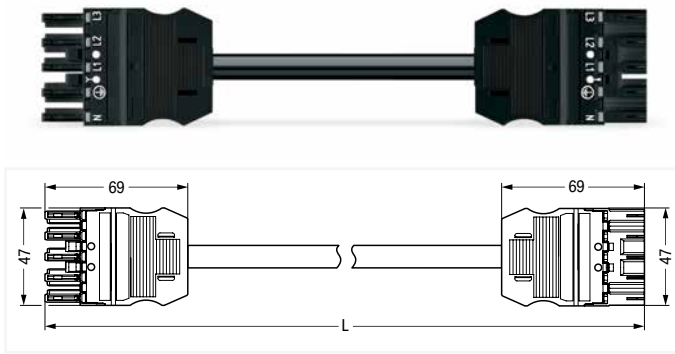
Marking Page 399

See technical section for further information

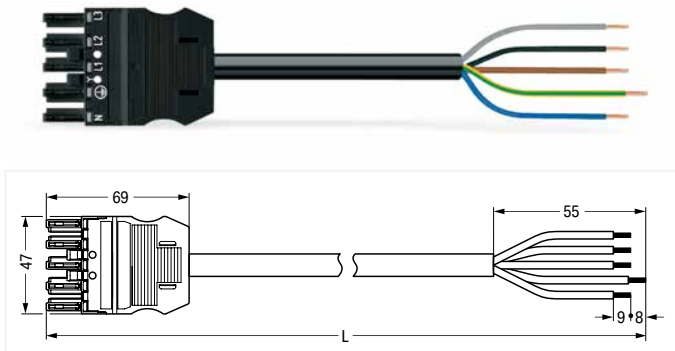
Approvals and corresponding ratings, visit www.wago.com

Cable assembly ▶ WINSTA® MIDI ▶ 771 Series

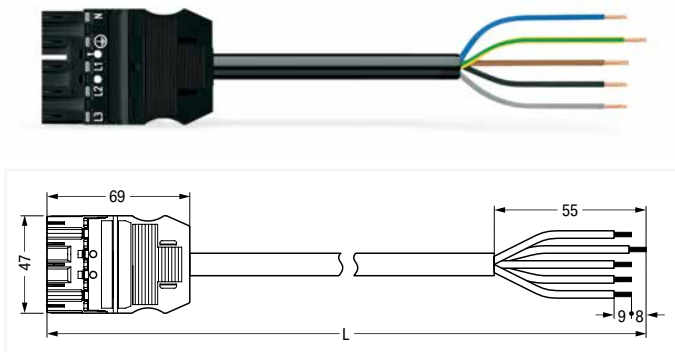
Pole number: 5 ▶ Fire class per EN 50575: E_{ca} ▶ Protection type: IP20 ▶ Coding: A ▶ 1.5 mm² ▶ Marking: N ⊕ L1 L2 L3 ▶ PVC ▶ H05VV-F 5G1.5 ▶ General mains applications



Total length	Connector color / Strain relief color		PU
	black / black	white / white	
1 m	771-9995/006-101	771-9995/006-102	1
2 m	771-9995/006-201	771-9995/006-202	1
3 m	771-9995/006-301	771-9995/006-302	1
4 m	771-9995/006-401	771-9995/006-402	1
5 m	771-9995/006-501	771-9995/006-502	1
6 m	771-9995/006-601	771-9995/006-602	1
7 m	771-9995/006-701	771-9995/006-702	1
8 m	771-9995/006-801	771-9995/006-802	1

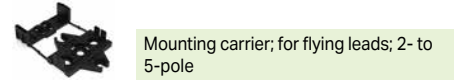
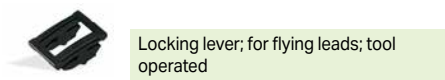
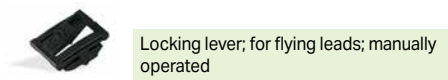


Total length	Connector color / Strain relief color		PU
	black / black	white / white	
1 m	771-9995/106-101	771-9995/106-102	1
2 m	771-9995/106-201	771-9995/106-202	1
3 m	771-9995/106-301	771-9995/106-302	1
4 m	771-9995/106-401	771-9995/106-402	1
5 m	771-9995/106-501	771-9995/106-502	1
6 m	771-9995/106-601	771-9995/106-602	1
7 m	771-9995/106-701	771-9995/106-702	1
8 m	771-9995/106-801	771-9995/106-802	1



Total length	Connector color / Strain relief color		PU
	black / black	white / white	
1 m	771-9995/206-101	771-9995/206-102	1
2 m	771-9995/206-201	771-9995/206-202	1
3 m	771-9995/206-301	771-9995/206-302	1
4 m	771-9995/206-401	771-9995/206-402	1
5 m	771-9995/206-501	771-9995/206-502	1
6 m	771-9995/206-601	771-9995/206-602	1
7 m	771-9995/206-701	771-9995/206-702	1
8 m	771-9995/206-801	771-9995/206-802	1

Accessories; for all products on this page



Color	Item No.	PU (SPU)
● black	770-101	100 (25)
○ white	770-121	100 (25)

Color	Item No.	PU (SPU)
● black	770-111	100 (25)
○ white	770-131	100 (25)

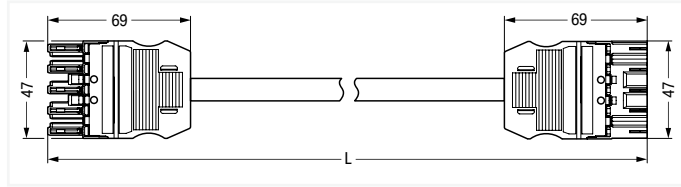
Color	Item No.	PU
● black	770-310	25

PU = packaging unit; SPU = subpackaging unit; Dimensions in mm

Cable assembly ▶ WINSTA® MIDI ▶ 771 Series

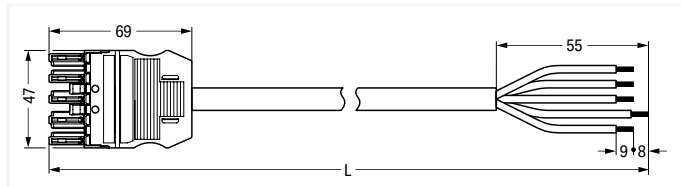
Pole number: 5 ▶ Fire class per EN 50575: E_{ca} ▶ Protection type: IP20 ▶ Coding: A ▶ 1.5 mm² ▶

Marking: N ⊕ L1 L2 L3 ▶ Halogen-free ▶ H05Z1Z1-F 5G1.5 ▶ General mains applications



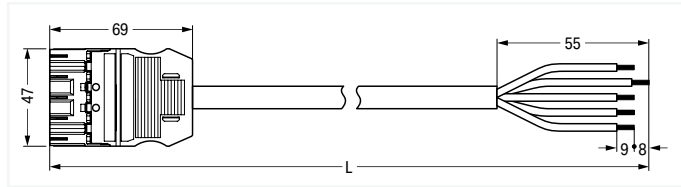
Interconnecting cable ▶ Socket - Plug

Total length	Connector color / Strain relief color		PU
	black / black	white / white	
1 m	771-9995/016-101	771-9995/016-102	1
2 m	771-9995/016-201	771-9995/016-202	1
3 m	771-9995/016-301	771-9995/016-302	1
4 m	771-9995/016-401	771-9995/016-402	1
5 m	771-9995/016-501	771-9995/016-502	1
6 m	771-9995/016-601	771-9995/016-602	1
7 m	771-9995/016-701	771-9995/016-702	1
8 m	771-9995/016-801	771-9995/016-802	1



Connecting cable ▶ Socket - free end ▶ Strip length (outer insulation): 55 mm

Total length	Connector color / Strain relief color		PU
	black / black	white / white	
1 m	771-9995/116-101	771-9995/116-102	1
2 m	771-9995/116-201	771-9995/116-202	1
3 m	771-9995/116-301	771-9995/116-302	1
4 m	771-9995/116-401	771-9995/116-402	1
5 m	771-9995/116-501	771-9995/116-502	1
6 m	771-9995/116-601	771-9995/116-602	1
7 m	771-9995/116-701	771-9995/116-702	1
8 m	771-9995/116-801	771-9995/116-802	1



Connecting cable ▶ Plug - free end ▶ Strip length (outer insulation): 55 mm

Total length	Connector color / Strain relief color		PU
	black / black	white / white	
1 m	771-9995/216-101	771-9995/216-102	1
2 m	771-9995/216-201	771-9995/216-202	1
3 m	771-9995/216-301	771-9995/216-302	1
4 m	771-9995/216-401	771-9995/216-402	1
5 m	771-9995/216-501	771-9995/216-502	1
6 m	771-9995/216-601	771-9995/216-602	1
7 m	771-9995/216-701	771-9995/216-702	1
8 m	771-9995/216-801	771-9995/216-802	1

Accessories; for all products on this page



Locking lever; for flying leads; manually operated



Locking lever; for flying leads; tool operated



Mounting carrier; for flying leads; 2- to 5-pole

Color	Item No.	PU (SPU)
● black	770-101	100 (25)
○ white	770-121	100 (25)

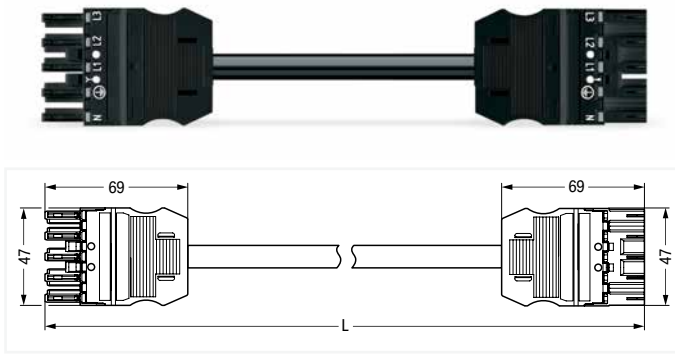
Color	Item No.	PU (SPU)
● black	770-111	100 (25)
○ white	770-131	100 (25)

Color	Item No.	PU
● black	770-310	25

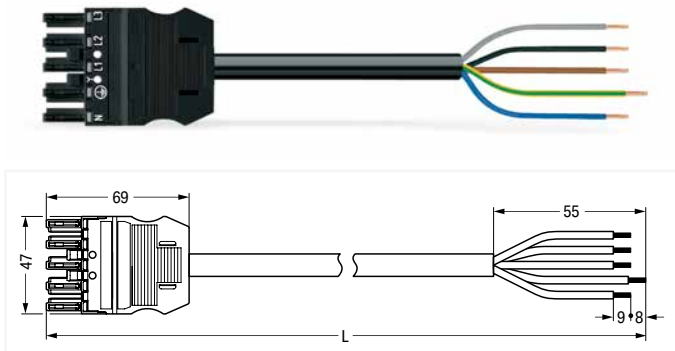
PU = packaging unit; SPU = subpackaging unit; Dimensions in mm

Cable assembly ▶ WINSTA® MIDI ▶ 771 Series

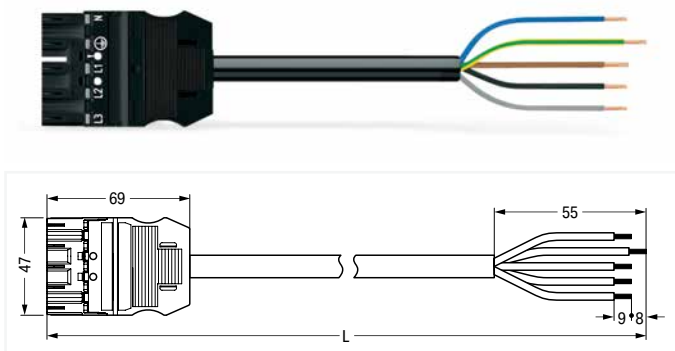
Pole number: 5 ▶ Fire class per EN 50575: E_{ca} ▶ Protection type: IP20 ▶ Coding: A ▶ 2.5 mm² ▶ Marking: N ⊕ L1 L2 L3 ▶ PVC ▶ H05VV-F 5G2.5 ▶ General mains applications



Total length	Connector color / Strain relief color		PU
	black / black	white / white	
1 m	771-9995/007-101	771-9995/007-102	1
2 m	771-9995/007-201	771-9995/007-202	1
3 m	771-9995/007-301	771-9995/007-302	1
4 m	771-9995/007-401	771-9995/007-402	1
5 m	771-9995/007-501	771-9995/007-502	1
6 m	771-9995/007-601	771-9995/007-602	1
7 m	771-9995/007-701	771-9995/007-702	1
8 m	771-9995/007-801	771-9995/007-802	1




Total length	Connector color / Strain relief color		PU
	black / black	white / white	
1 m	771-9995/107-101	771-9995/107-102	1
2 m	771-9995/107-201	771-9995/107-202	1
3 m	771-9995/107-301	771-9995/107-302	1
4 m	771-9995/107-401	771-9995/107-402	1
5 m	771-9995/107-501	771-9995/107-502	1
6 m	771-9995/107-601	771-9995/107-602	1
7 m	771-9995/107-701	771-9995/107-702	1
8 m	771-9995/107-801	771-9995/107-802	1




Total length	Connector color / Strain relief color		PU
	black / black	white / white	
1 m	771-9995/207-101	771-9995/207-102	1
2 m	771-9995/207-201	771-9995/207-202	1
3 m	771-9995/207-301	771-9995/207-302	1
4 m	771-9995/207-401	771-9995/207-402	1
5 m	771-9995/207-501	771-9995/207-502	1
6 m	771-9995/207-601	771-9995/207-602	1
7 m	771-9995/207-701	771-9995/207-702	1
8 m	771-9995/207-801	771-9995/207-802	1


Accessories; for all products on this page

 Locking lever; for flying leads; manually operated

Color	Item No.	PU (SPU)
● black	770-101	100 (25)
○ white	770-121	100 (25)

 Locking lever; for flying leads; tool operated

Color	Item No.	PU (SPU)
● black	770-111	100 (25)
○ white	770-131	100 (25)

 Mounting carrier; for flying leads; 2- to 5-pole

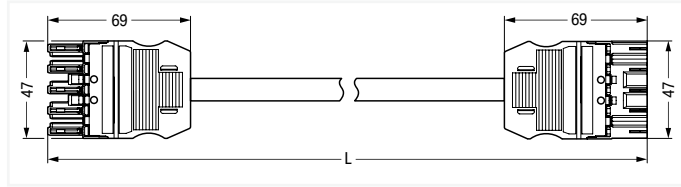
Color	Item No.	PU
● black	770-310	25

PU = packaging unit; SPU = subpackaging unit; Dimensions in mm

Cable assembly ▶ WINSTA® MIDI ▶ 771 Series

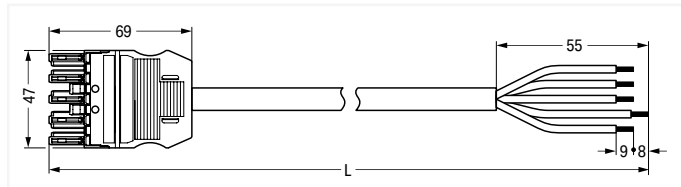
Pole number: 5 ▶ Fire class per EN 50575: E_{ca} ▶ Protection type: IP20 ▶ Coding: A ▶ 2.5 mm² ▶

Marking: N ⊕ L1 L2 L3 ▶ Halogen-free ▶ H05Z1Z1-F 5G2.5 ▶ General mains applications



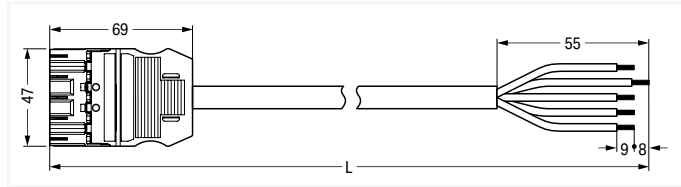
Interconnecting cable ▶ Socket - Plug

Total length	Connector color / Strain relief color		PU
	black / black	white / white	
1 m	771-9995/017-101	771-9995/017-102	1
2 m	771-9995/017-201	771-9995/017-202	1
3 m	771-9995/017-301	771-9995/017-302	1
4 m	771-9995/017-401	771-9995/017-402	1
5 m	771-9995/017-501	771-9995/017-502	1
6 m	771-9995/017-601	771-9995/017-602	1
7 m	771-9995/017-701	771-9995/017-702	1
8 m	771-9995/017-801	771-9995/017-802	1



Connecting cable ▶ Socket - free end ▶ Strip length (outer insulation): 55 mm

Total length	Connector color / Strain relief color		PU
	black / black	white / white	
1 m	771-9995/117-101	771-9995/117-102	1
2 m	771-9995/117-201	771-9995/117-202	1
3 m	771-9995/117-301	771-9995/117-302	1
4 m	771-9995/117-401	771-9995/117-402	1
5 m	771-9995/117-501	771-9995/117-502	1
6 m	771-9995/117-601	771-9995/117-602	1
7 m	771-9995/117-701	771-9995/117-702	1
8 m	771-9995/117-801	771-9995/117-802	1



Connecting cable ▶ Plug - free end ▶ Strip length (outer insulation): 55 mm

Total length	Connector color / Strain relief color		PU
	black / black	white / white	
1 m	771-9995/217-101	771-9995/217-102	1
2 m	771-9995/217-201	771-9995/217-202	1
3 m	771-9995/217-301	771-9995/217-302	1
4 m	771-9995/217-401	771-9995/217-402	1
5 m	771-9995/217-501	771-9995/217-502	1
6 m	771-9995/217-601	771-9995/217-602	1
7 m	771-9995/217-701	771-9995/217-702	1
8 m	771-9995/217-801	771-9995/217-802	1

Accessories; for all products on this page



Locking lever; for flying leads; manually operated



Locking lever; for flying leads; tool operated



Mounting carrier; for flying leads; 2- to 5-pole

Color	Item No.	PU (SPU)
● black	770-101	100 (25)
○ white	770-121	100 (25)

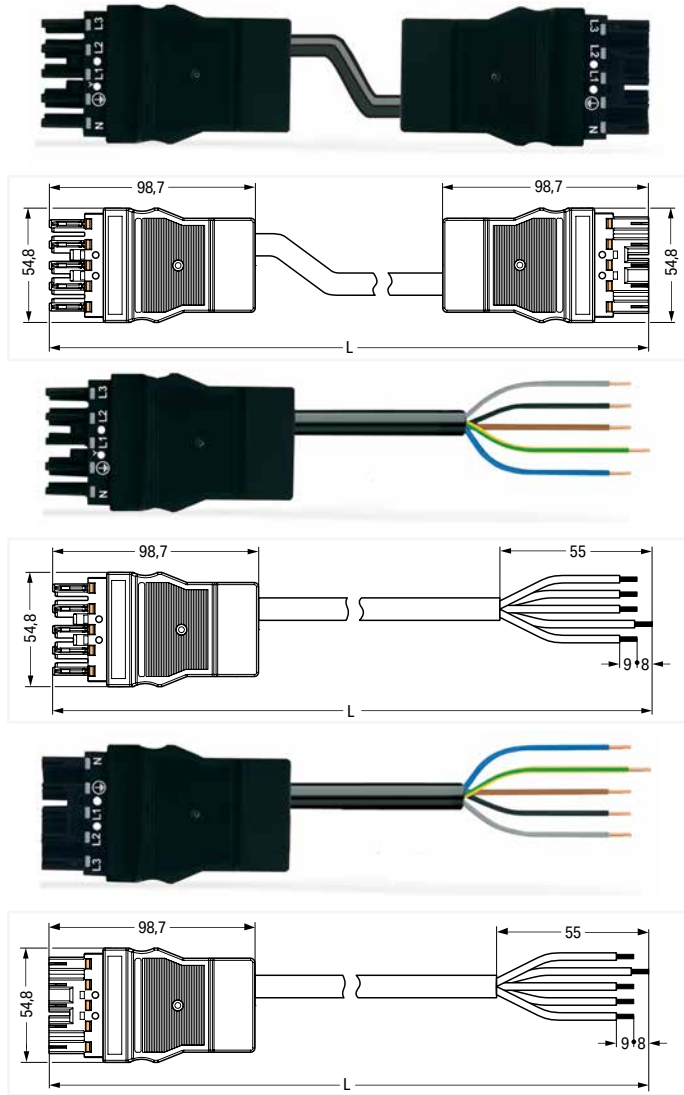
Color	Item No.	PU (SPU)
● black	770-111	100 (25)
○ white	770-131	100 (25)

Color	Item No.	PU
● black	770-310	25

PU = packaging unit; SPU = subpackaging unit; Dimensions in mm

Cable assembly ▶ WINSTA® MIDI ▶ 771 Series

Pole number: 5 ▶ Fire class per EN 50575: E_{ca} ▶ Protection type: IP20 ▶ Coding: A ▶ 4 mm² ▶ Marking: N ⊕ L1 L2 L3 ▶ PVC ▶ H05VV-F 5G4 ▶ General mains applications






Interconnecting cable ▶ Socket - Plug				
Total length	Connector color / Strain relief color			PU
	black / black			
1 m	771-8995/008-101			1
2 m	771-8995/008-201			1
3 m	771-8995/008-301			1
4 m	771-8995/008-401			1
5 m	771-8995/008-501			1
6 m	771-8995/008-601			1
7 m	771-8995/008-701			1
8 m	771-8995/008-801			1

Connecting cable ▶ Socket - free end ▶ Strip length (outer insulation): 55 mm				
Total length	Connector color / Strain relief color			PU
	black / black			
1 m	771-8995/108-101			1
2 m	771-8995/108-201			1
3 m	771-8995/108-301			1
4 m	771-8995/108-401			1
5 m	771-8995/108-501			1
6 m	771-8995/108-601			1
7 m	771-8995/108-701			1
8 m	771-8995/108-801			1

Connecting cable ▶ Plug - free end ▶ Strip length (outer insulation): 55 mm				
Total length	Connector color / Strain relief color			PU
	black / black			
1 m	771-8995/208-101			1
2 m	771-8995/208-201			1
3 m	771-8995/208-301			1
4 m	771-8995/208-401			1
5 m	771-8995/208-501			1
6 m	771-8995/208-601			1
7 m	771-8995/208-701			1
8 m	771-8995/208-801			1

2

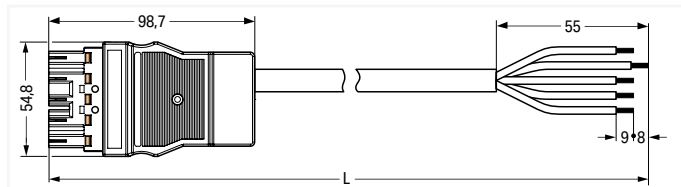
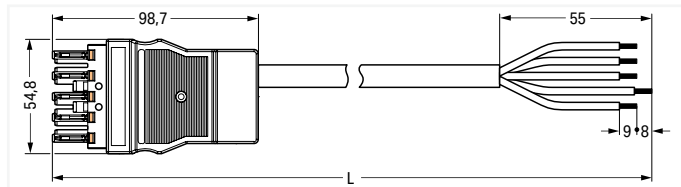
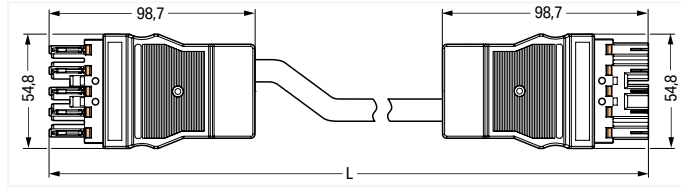
Accessories; for all products on this page

 Locking lever; for flying leads; manually operated			 Locking lever; for flying leads; tool operated			 Mounting carrier; for flying leads; 2- to 5-pole		
Color	Item No.	PU (SPU)	Color	Item No.	PU (SPU)	Color	Item No.	PU
● black	770-101	100 (25)	● black	770-111	100 (25)	● black	770-310	25
○ white	770-121	100 (25)	○ white	770-131	100 (25)			

PU = packaging unit; SPU = subpackaging unit; Dimensions in mm

Cable assembly ▶ WINSTA® MIDI ▶ 771 Series

Pole number: 5 ▶ Fire class per EN 50575: E_{ca} ▶ Protection type: IP20 ▶ Coding: A ▶ 4 mm² ▶ Marking: N ⊕ L1 L2 L3 ▶ Halogen-free ▶ H05Z1Z1-F 5G4 ▶ General mains applications



Interconnecting cable ▶ Socket - Plug				
Total length	Connector color / Strain relief color			PU
	black / black			
1 m	771-8995/018-101			1
2 m	771-8995/018-201			1
3 m	771-8995/018-301			1
4 m	771-8995/018-401			1
5 m	771-8995/018-501			1
6 m	771-8995/018-601			1
7 m	771-8995/018-701			1
8 m	771-8995/018-801			1

Connecting cable ▶ Socket - free end ▶ Strip length (outer insulation): 55 mm				
Total length	Connector color / Strain relief color			PU
	black / black			
1 m	771-8995/118-101			1
2 m	771-8995/118-201			1
3 m	771-8995/118-301			1
4 m	771-8995/118-401			1
5 m	771-8995/118-501			1
6 m	771-8995/118-601			1
7 m	771-8995/118-701			1
8 m	771-8995/118-801			1

Connecting cable ▶ Plug - free end ▶ Strip length (outer insulation): 55 mm				
Total length	Connector color / Strain relief color			PU
	black / black			
1 m	771-8995/218-101			1
2 m	771-8995/218-201			1
3 m	771-8995/218-301			1
4 m	771-8995/218-401			1
5 m	771-8995/218-501			1
6 m	771-8995/218-601			1
7 m	771-8995/218-701			1
8 m	771-8995/218-801			1

Accessories; for all products on this page



Locking lever; for flying leads; manually operated



Locking lever; for flying leads; tool operated



Mounting carrier; for flying leads; 2- to 5-pole

Color	Item No.	PU (SPU)
● black	770-101	100 (25)
○ white	770-121	100 (25)

Color	Item No.	PU (SPU)
● black	770-111	100 (25)
○ white	770-131	100 (25)

Color	Item No.	PU
● black	770-310	25

PU = packaging unit; SPU = subpackaging unit; Dimensions in mm

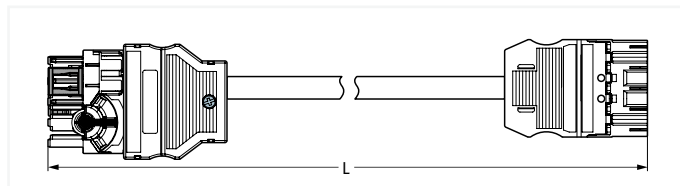
Cable assembly ▶ WINSTA® MIDI ▶ 771 Series

Pole number: 5 ▶ Fire class per EN 50575: E_{ca} ▶ Protection type: IP20 ▶ Coding: A ▶ 2.5 mm² ▶

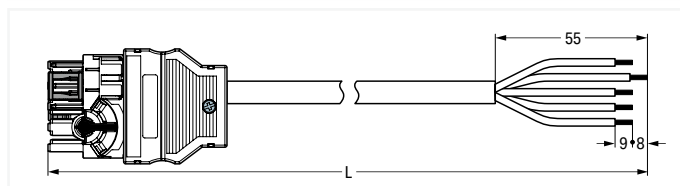
Marking: N ⊕ L1 L2 L3 ▶ PVC ▶ H05VV-F 5G2.5 ▶ General mains applications



Interconnecting cable ▶ Distribution connector with phase selection - Plug			
Total length	Connector color / Strain relief color		PU
	black / black	white / white	
1 m	771-8965/007-101	771-8965/007-102	1
2 m	771-8965/007-201	771-8965/007-202	1



Connecting cable ▶ Distribution connector with phase selection - free end ▶ Strip length (outer insulation): 55 mm			
Total length	Connector color / Strain relief color		PU
	black / black	white / white	
1 m	771-8965/107-101	771-8965/107-102	1
2 m	771-8965/107-201	771-8965/107-202	1



Lift jumper out of delivery position (L2) using a screwdriver and move it into the desired position.



The 5-pole energy circuit can be extended using pluggable cable assemblies.



Push down jumper in its new position (picture shows L3).



Plugging a 3-pole tap-off cable.

Accessories; for all products on this page



Locking lever; for flying leads; manually operated



Locking lever; for flying leads; tool operated

Color	Item No.	PU (SPU)
● black	770-101	100 (25)
○ white	770-121	100 (25)

Color	Item No.	PU (SPU)
● black	770-111	100 (25)
○ white	770-131	100 (25)

PU = packaging unit; SPU = subpackaging unit; Dimensions in mm

Cable assembly ▶ WINSTA® MIDI ▶ 771 Series

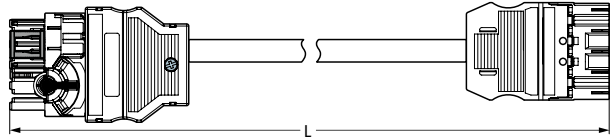
Pole number: 5 ▶ Fire class per EN 50575: E_{ca} ▶ Protection type: IP20 ▶ Coding: A ▶ 2.5 mm² ▶

Marking: N ⊕ L1 L2 L3 ▶ Halogen-free ▶ H05Z1Z1-F 5G2.5 ▶ General mains applications



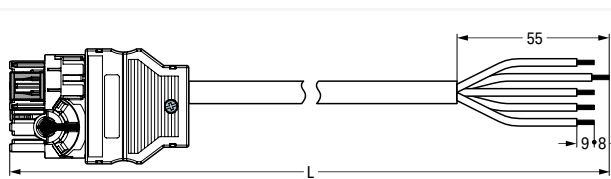
Interconnecting cable ▶ Distribution connector with phase selection - Plug

Total length	Connector color / Strain relief color		PU
	black / black	white / white	
1 m	771-8965/017-101	771-8965/017-102	1
2 m	771-8965/017-201	771-8965/017-202	1



Connecting cable ▶ Distribution connector with phase selection - free end ▶ Strip length (outer insulation): 55 mm

Total length	Connector color / Strain relief color		PU
	black / black	white / white	
1 m	771-8965/117-101	771-8965/117-102	1
2 m	771-8965/117-201	771-8965/117-202	1



Lift jumper out of delivery position (L2) using a screwdriver and move it into the desired position.



The 5-pole energy circuit can be extended using pluggable cable assemblies.



Push down jumper in its new position (picture shows L3).



Plugging a 3-pole tap-off cable.

Accessories; for all products on this page



Locking lever; for flying leads; manually operated



Locking lever; for flying leads; tool operated

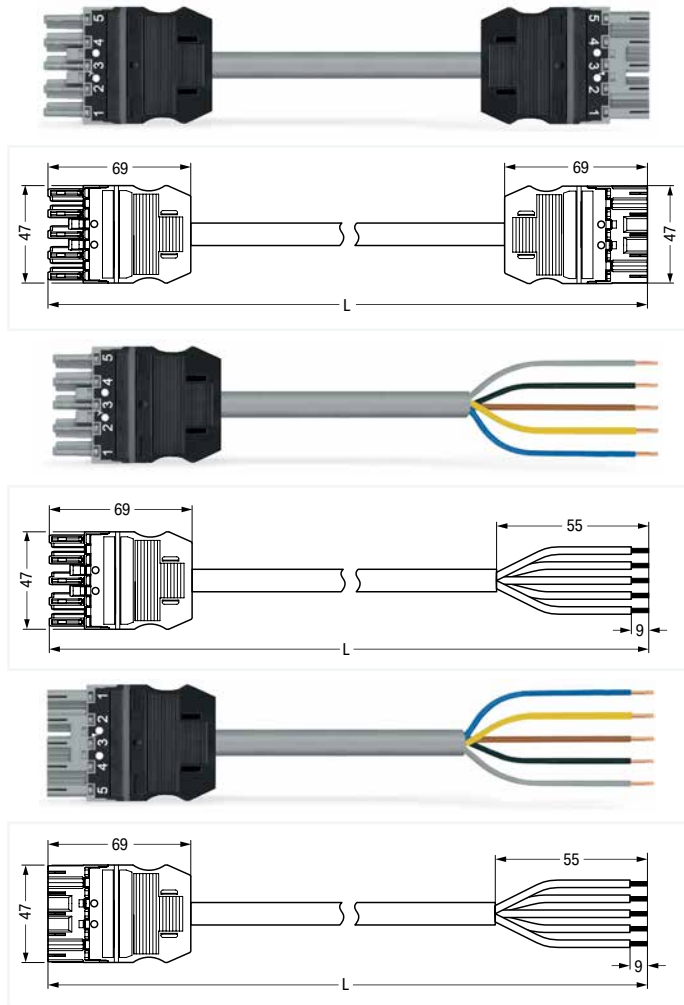
Color	Item No.	PU (SPU)
● black	770-101	100 (25)
○ white	770-121	100 (25)

Color	Item No.	PU (SPU)
● black	770-111	100 (25)
○ white	770-131	100 (25)

PU = packaging unit; SPU = subpackaging unit; Dimensions in mm

Cable assembly ▶ WINSTA® MIDI ▶ 771 Series

Pole number: 5 ▶ Fire class per EN 50575: E_{ca} ▶ Protection type: IP20 ▶ Coding: B ▶ 1 mm² ▶ Marking: 1 2 3 4 5 ▶ PVC ▶ H05VV-F 5x1 ▶ Control technology



Interconnecting cable ▶ Socket - Plug				
Total length	Connector color / Strain relief color			PU
	gray / black	light green / black	pink / black	
1 m	771-9995/005-103	771-9995/005-105	771-9995/005-107	1
2 m	771-9995/005-203	771-9995/005-205	771-9995/005-207	1
3 m	771-9995/005-303	771-9995/005-305	771-9995/005-307	1
4 m	771-9995/005-403	771-9995/005-405	771-9995/005-407	1
5 m	771-9995/005-503	771-9995/005-505	771-9995/005-507	1
6 m	771-9995/005-603	771-9995/005-605	771-9995/005-607	1
7 m	771-9995/005-703	771-9995/005-705	771-9995/005-707	1
8 m	771-9995/005-803	771-9995/005-805	771-9995/005-807	1

Connecting cable ▶ Socket - free end ▶ Strip length (outer insulation): 55 mm				
Total length	Connector color / Strain relief color			PU
	gray / black	light green / black	pink / black	
1 m	771-9995/105-103	771-9995/105-105	771-9995/105-107	1
2 m	771-9995/105-203	771-9995/105-205	771-9995/105-207	1
3 m	771-9995/105-303	771-9995/105-305	771-9995/105-307	1
4 m	771-9995/105-403	771-9995/105-405	771-9995/105-407	1
5 m	771-9995/105-503	771-9995/105-505	771-9995/105-507	1
6 m	771-9995/105-603	771-9995/105-605	771-9995/105-607	1
7 m	771-9995/105-703	771-9995/105-705	771-9995/105-707	1
8 m	771-9995/105-803	771-9995/105-805	771-9995/105-807	1

Connecting cable ▶ Plug - free end ▶ Strip length (outer insulation): 55 mm				
Total length	Connector color / Strain relief color			PU
	gray / black	light green / black	pink / black	
1 m	771-9995/205-103	771-9995/205-105	771-9995/205-107	1
2 m	771-9995/205-203	771-9995/205-205	771-9995/205-207	1
3 m	771-9995/205-303	771-9995/205-305	771-9995/205-307	1
4 m	771-9995/205-403	771-9995/205-405	771-9995/205-407	1
5 m	771-9995/205-503	771-9995/205-505	771-9995/205-507	1
6 m	771-9995/205-603	771-9995/205-605	771-9995/205-607	1
7 m	771-9995/205-703	771-9995/205-705	771-9995/205-707	1
8 m	771-9995/205-803	771-9995/205-805	771-9995/205-807	1

2

Accessories; for all products on this page



Locking lever; for flying leads; manually operated



Locking lever; for flying leads; tool operated



Mounting carrier; for flying leads; 2- to 5-pole

Color	Item No.	PU (SPU)
● black	770-101	100 (25)
○ white	770-121	100 (25)

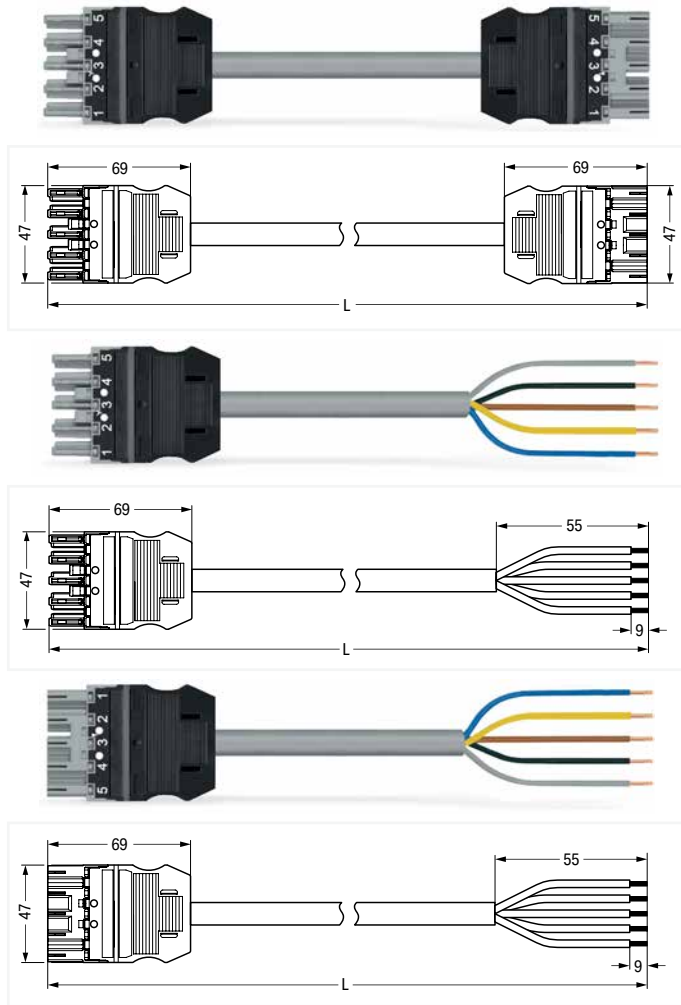
Color	Item No.	PU (SPU)
● black	770-111	100 (25)
○ white	770-131	100 (25)

Color	Item No.	PU
● black	770-310	25

PU = packaging unit; SPU = subpackaging unit; Dimensions in mm

Cable assembly ▶ WINSTA® MIDI ▶ 771 Series

Pole number: 5 ▶ Fire class per EN 50575: E_{ca} ▶ Protection type: IP20 ▶ Coding: B ▶ 1.5 mm² ▶ Marking: 1 2 3 4 5 ▶ PVC ▶ H05VV-F 5x1.5 ▶ Control technology






Interconnecting cable ▶ Socket - Plug				
Total length	Connector color / Strain relief color			PU
	gray / black	light green / black	pink / black	
1 m	771-9995/006-103	771-9995/006-105	771-9995/006-107	1
2 m	771-9995/006-203	771-9995/006-205	771-9995/006-207	1
3 m	771-9995/006-303	771-9995/006-305	771-9995/006-307	1
4 m	771-9995/006-403	771-9995/006-405	771-9995/006-407	1
5 m	771-9995/006-503	771-9995/006-505	771-9995/006-507	1
6 m	771-9995/006-603	771-9995/006-605	771-9995/006-607	1
7 m	771-9995/006-703	771-9995/006-705	771-9995/006-707	1
8 m	771-9995/006-803	771-9995/006-805	771-9995/006-807	1

Connecting cable ▶ Socket - free end ▶ Strip length (outer insulation): 55 mm				
Total length	Connector color / Strain relief color			PU
	gray / black	light green / black	pink / black	
1 m	771-9995/106-103	771-9995/106-105	771-9995/106-107	1
2 m	771-9995/106-203	771-9995/106-205	771-9995/106-207	1
3 m	771-9995/106-303	771-9995/106-305	771-9995/106-307	1
4 m	771-9995/106-403	771-9995/106-405	771-9995/106-407	1
5 m	771-9995/106-503	771-9995/106-505	771-9995/106-507	1
6 m	771-9995/106-603	771-9995/106-605	771-9995/106-607	1
7 m	771-9995/106-703	771-9995/106-705	771-9995/106-707	1
8 m	771-9995/106-803	771-9995/106-805	771-9995/106-807	1

Connecting cable ▶ Plug - free end ▶ Strip length (outer insulation): 55 mm				
Total length	Connector color / Strain relief color			PU
	gray / black	light green / black	pink / black	
1 m	771-9995/206-103	771-9995/206-105	771-9995/206-107	1
2 m	771-9995/206-203	771-9995/206-205	771-9995/206-207	1
3 m	771-9995/206-303	771-9995/206-305	771-9995/206-307	1
4 m	771-9995/206-403	771-9995/206-405	771-9995/206-407	1
5 m	771-9995/206-503	771-9995/206-505	771-9995/206-507	1
6 m	771-9995/206-603	771-9995/206-605	771-9995/206-607	1
7 m	771-9995/206-703	771-9995/206-705	771-9995/206-707	1
8 m	771-9995/206-803	771-9995/206-805	771-9995/206-807	1

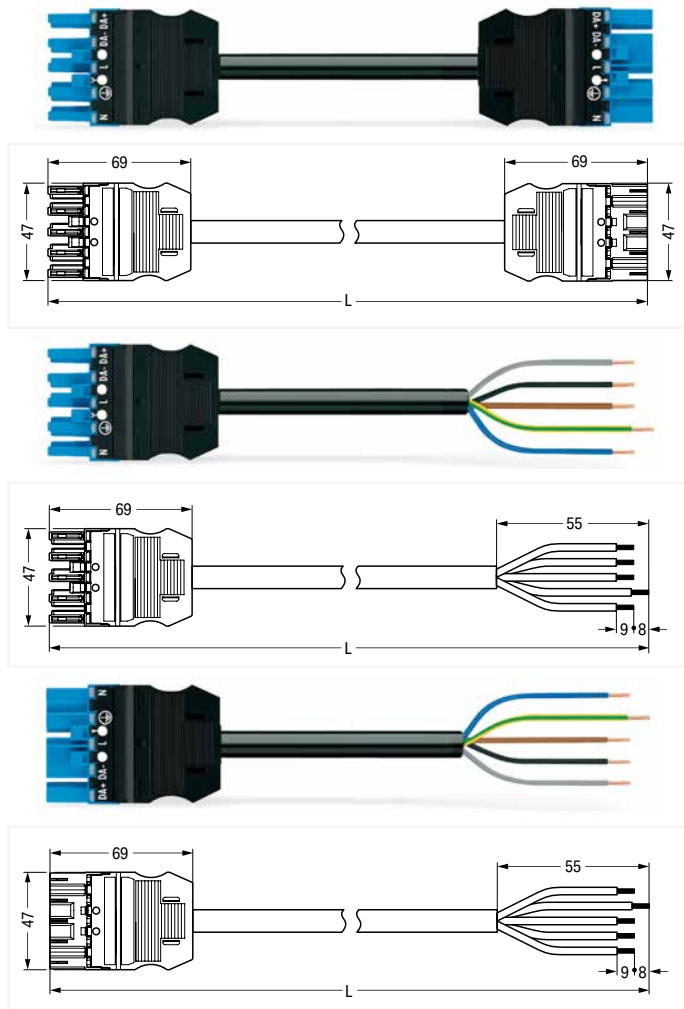
Accessories; for all products on this page

 Locking lever; for flying leads; manually operated			 Locking lever; for flying leads; tool operated			 Mounting carrier; for flying leads; 2- to 5-pole		
Color	Item No.	PU (SPU)	Color	Item No.	PU (SPU)	Color	Item No.	PU
● black	770-101	100 (25)	● black	770-111	100 (25)	● black	770-310	25
○ white	770-121	100 (25)	○ white	770-131	100 (25)			

PU = packaging unit; SPU = subpackaging unit; Dimensions in mm

Cable assembly ▶ WINSTA® MIDI ▶ 771 Series

Pole number: 5 ▶ Fire class per EN 50575: E_{ca} ▶ Protection type: IP20 ▶ Coding: I ▶ 1.5 mm² ▶ Marking: N ⊕ L DA- DA+ ▶ PVC ▶ H05VV-F 5G1.5 ▶ DALI, Lighting Management



Interconnecting cable ▶ Socket - Plug			
Total length	Connector color / Strain relief color		PU
	blue / black	blue / white	
1 m	771-9985/006-101	771-9985/006-102	1
2 m	771-9985/006-201	771-9985/006-202	1
3 m	771-9985/006-301	771-9985/006-302	1
4 m	771-9985/006-401	771-9985/006-402	1
5 m	771-9985/006-501	771-9985/006-502	1
6 m	771-9985/006-601	771-9985/006-602	1
7 m	771-9985/006-701	771-9985/006-702	1
8 m	771-9985/006-801	771-9985/006-802	1

Connecting cable ▶ Socket - free end ▶ Strip length (outer insulation): 55 mm			
Total length	Connector color / Strain relief color		PU
	blue / black	blue / white	
1 m	771-9985/106-101	771-9985/106-102	1
2 m	771-9985/106-201	771-9985/106-202	1
3 m	771-9985/106-301	771-9985/106-302	1
4 m	771-9985/106-401	771-9985/106-402	1
5 m	771-9985/106-501	771-9985/106-502	1
6 m	771-9985/106-601	771-9985/106-602	1
7 m	771-9985/106-701	771-9985/106-702	1
8 m	771-9985/106-801	771-9985/106-802	1

Connecting cable ▶ Plug - free end ▶ Strip length (outer insulation): 55 mm			
Total length	Connector color / Strain relief color		PU
	blue / black	blue / white	
1 m	771-9985/206-101	771-9985/206-102	1
2 m	771-9985/206-201	771-9985/206-202	1
3 m	771-9985/206-301	771-9985/206-302	1
4 m	771-9985/206-401	771-9985/206-402	1
5 m	771-9985/206-501	771-9985/206-502	1
6 m	771-9985/206-601	771-9985/206-602	1
7 m	771-9985/206-701	771-9985/206-702	1
8 m	771-9985/206-801	771-9985/206-802	1
1.5 m		771-9985/206-152	1

2

Accessories; for all products on this page



Locking lever; for flying leads; manually operated



Locking lever; for flying leads; tool operated



Mounting carrier; for flying leads; 2- to 5-pole

Color	Item No.	PU (SPU)
● black	770-101	100 (25)
○ white	770-121	100 (25)

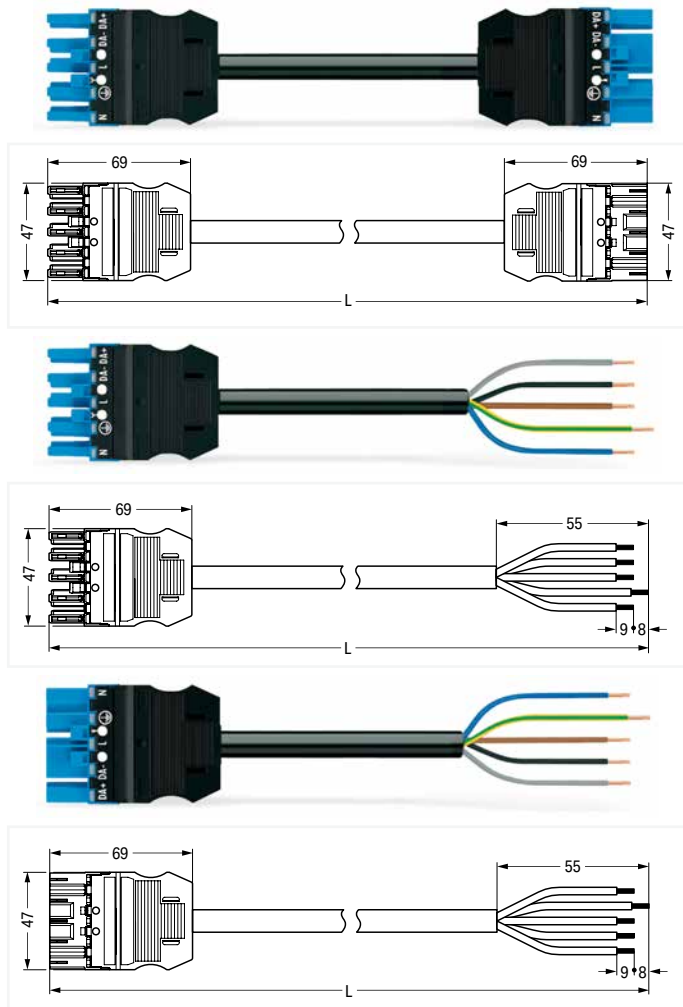
Color	Item No.	PU (SPU)
● black	770-111	100 (25)
○ white	770-131	100 (25)

Color	Item No.	PU
● black	770-310	25

PU = packaging unit; SPU = subpackaging unit; Dimensions in mm

Cable assembly ▶ WINSTA® MIDI ▶ 771 Series

Pole number: 5 ▶ Fire class per EN 50575: E_{ca} ▶ Protection type: IP20 ▶ Coding: I ▶ 1.5 mm² ▶ Marking: N ⊕ L DA- DA+ ▶ Halogen-free ▶ H05Z1Z1-F 5G1.5 ▶ DALI, Lighting Management






Interconnecting cable ▶ Socket - Plug			
Total length	Connector color / Strain relief color		PU
	blue / black	blue / white	
1 m	771-9985/016-101	771-9985/016-102	1
2 m	771-9985/016-201	771-9985/016-202	1
3 m	771-9985/016-301	771-9985/016-302	1
4 m	771-9985/016-401	771-9985/016-402	1
5 m	771-9985/016-501	771-9985/016-502	1
6 m	771-9985/016-601	771-9985/016-602	1
7 m	771-9985/016-701	771-9985/016-702	1
8 m	771-9985/016-801	771-9985/016-802	1

Connecting cable ▶ Socket - free end ▶ Strip length (outer insulation): 55 mm			
Total length	Connector color / Strain relief color		PU
	blue / black	blue / white	
1 m	771-9985/116-101	771-9985/116-102	1
2 m	771-9985/116-201	771-9985/116-202	1
3 m	771-9985/116-301	771-9985/116-302	1
4 m	771-9985/116-401	771-9985/116-402	1
5 m	771-9985/116-501	771-9985/116-502	1
6 m	771-9985/116-601	771-9985/116-602	1
7 m	771-9985/116-701	771-9985/116-702	1
8 m	771-9985/116-801	771-9985/116-802	1

Connecting cable ▶ Plug - free end ▶ Strip length (outer insulation): 55 mm			
Total length	Connector color / Strain relief color		PU
	blue / black	blue / white	
1 m	771-9985/216-101	771-9985/216-102	1
2 m	771-9985/216-201	771-9985/216-202	1
3 m	771-9985/216-301	771-9985/216-302	1
4 m	771-9985/216-401	771-9985/216-402	1
5 m	771-9985/216-501	771-9985/216-502	1
6 m	771-9985/216-601	771-9985/216-602	1
7 m	771-9985/216-701	771-9985/216-702	1
8 m	771-9985/216-801	771-9985/216-802	1

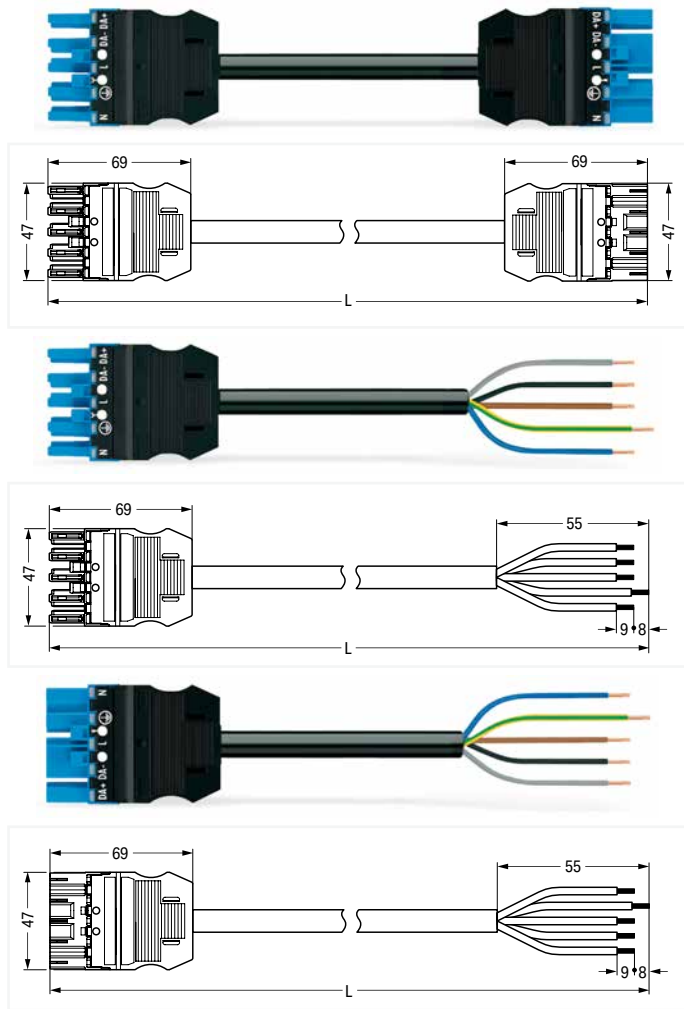
Accessories; for all products on this page

 Locking lever; for flying leads; manually operated			 Locking lever; for flying leads; tool operated			 Mounting carrier; for flying leads; 2- to 5-pole		
Color	Item No.	PU (SPU)	Color	Item No.	PU (SPU)	Color	Item No.	PU
● black	770-101	100 (25)	● black	770-111	100 (25)	● black	770-310	25
○ white	770-121	100 (25)	○ white	770-131	100 (25)			

PU = packaging unit; SPU = subpackaging unit; Dimensions in mm

Cable assembly ▶ WINSTA® MIDI ▶ 771 Series

Pole number: 5 ▶ Fire class per EN 50575: E_{ca} ▶ Protection type: IP20 ▶ Coding: I ▶ 2.5 mm² ▶ Marking: N ⊕ L DA- DA+ ▶ PVC ▶ H05VV-F 5G2.5 ▶ DALI, Lighting Management






Interconnecting cable ▶ Socket - Plug			
Total length	Connector color / Strain relief color		PU
	blue / black	blue / white	
1 m	771-9985/007-101	771-9985/007-102	1
2 m	771-9985/007-201	771-9985/007-202	1
3 m	771-9985/007-301	771-9985/007-302	1
4 m	771-9985/007-401	771-9985/007-402	1
5 m	771-9985/007-501	771-9985/007-502	1
6 m	771-9985/007-601	771-9985/007-602	1
7 m	771-9985/007-701	771-9985/007-702	1
8 m	771-9985/007-801	771-9985/007-802	1

Connecting cable ▶ Socket - free end ▶ Strip length (outer insulation): 55 mm			
Total length	Connector color / Strain relief color		PU
	blue / black	blue / white	
1 m	771-9985/107-101	771-9985/107-102	1
2 m	771-9985/107-201	771-9985/107-202	1
3 m	771-9985/107-301	771-9985/107-302	1
4 m	771-9985/107-401	771-9985/107-402	1
5 m	771-9985/107-501	771-9985/107-502	1
6 m	771-9985/107-601	771-9985/107-602	1
7 m	771-9985/107-701	771-9985/107-702	1
8 m	771-9985/107-801	771-9985/107-802	1

Connecting cable ▶ Plug - free end ▶ Strip length (outer insulation): 55 mm			
Total length	Connector color / Strain relief color		PU
	blue / black	blue / white	
1 m	771-9985/207-101	771-9985/207-102	1
2 m	771-9985/207-201	771-9985/207-202	1
3 m	771-9985/207-301	771-9985/207-302	1
4 m	771-9985/207-401	771-9985/207-402	1
5 m	771-9985/207-501	771-9985/207-502	1
6 m	771-9985/207-601	771-9985/207-602	1
7 m	771-9985/207-701	771-9985/207-702	1
8 m	771-9985/207-801	771-9985/207-802	1

2

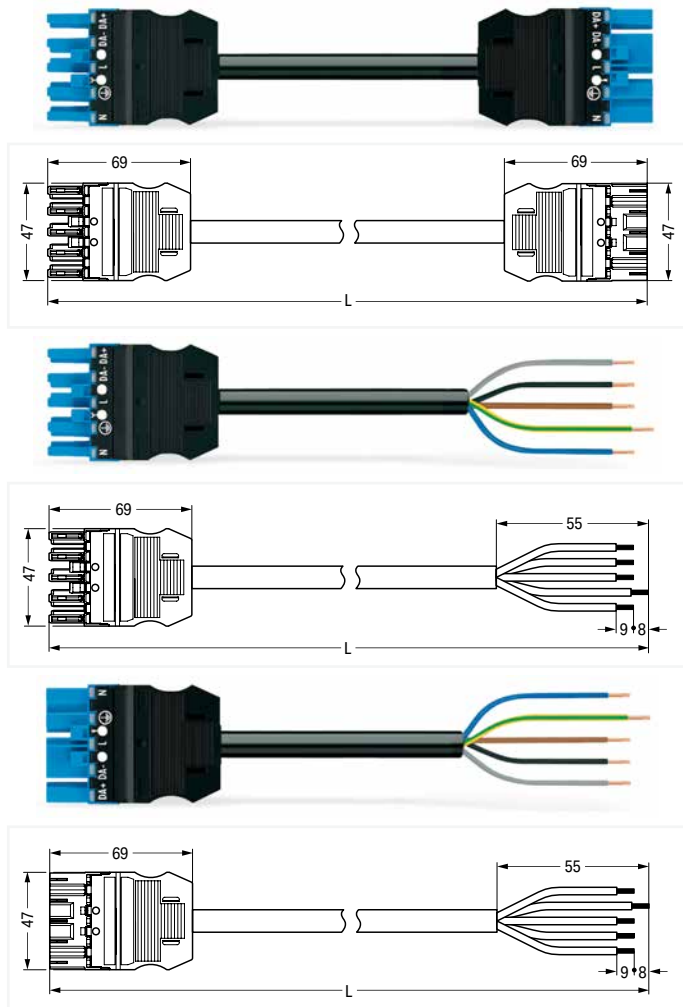
Accessories; for all products on this page

 Locking lever; for flying leads; manually operated			 Locking lever; for flying leads; tool operated			 Mounting carrier; for flying leads; 2- to 5-pole		
Color	Item No.	PU (SPU)	Color	Item No.	PU (SPU)	Color	Item No.	PU
● black	770-101	100 (25)	● black	770-111	100 (25)	● black	770-310	25
○ white	770-121	100 (25)	○ white	770-131	100 (25)			

PU = packaging unit; SPU = subpackaging unit; Dimensions in mm

Cable assembly ▶ WINSTA® MIDI ▶ 771 Series

Pole number: 5 ▶ Fire class per EN 50575: E_{ca} ▶ Protection type: IP20 ▶ Coding: I ▶ 2.5 mm² ▶ Marking: N ⊕ L DA- DA+ ▶ Halogen-free ▶ H05Z1Z1-F 5G2.5 ▶ DALI, Lighting Management






Interconnecting cable ▶ Socket - Plug			
Total length	Connector color / Strain relief color		PU
	blue / black	blue / white	
1 m	771-9985/017-101	771-9985/017-102	1
2 m	771-9985/017-201	771-9985/017-202	1
3 m	771-9985/017-301	771-9985/017-302	1
4 m	771-9985/017-401	771-9985/017-402	1
5 m	771-9985/017-501	771-9985/017-502	1
6 m	771-9985/017-601	771-9985/017-602	1
7 m	771-9985/017-701	771-9985/017-702	1
8 m	771-9985/017-801	771-9985/017-802	1

Connecting cable ▶ Socket - free end ▶ Strip length (outer insulation): 55 mm			
Total length	Connector color / Strain relief color		PU
	blue / black	blue / white	
1 m	771-9985/117-101	771-9985/117-102	1
2 m	771-9985/117-201	771-9985/117-202	1
3 m	771-9985/117-301	771-9985/117-302	1
4 m	771-9985/117-401	771-9985/117-402	1
5 m	771-9985/117-501	771-9985/117-502	1
6 m	771-9985/117-601	771-9985/117-602	1
7 m	771-9985/117-701	771-9985/117-702	1
8 m	771-9985/117-801	771-9985/117-802	1

Connecting cable ▶ Plug - free end ▶ Strip length (outer insulation): 55 mm			
Total length	Connector color / Strain relief color		PU
	blue / black	blue / white	
1 m	771-9985/217-101	771-9985/217-102	1
2 m	771-9985/217-201	771-9985/217-202	1
3 m	771-9985/217-301	771-9985/217-302	1
4 m	771-9985/217-401	771-9985/217-402	1
5 m	771-9985/217-501	771-9985/217-502	1
6 m	771-9985/217-601	771-9985/217-602	1
7 m	771-9985/217-701	771-9985/217-702	1
8 m	771-9985/217-801	771-9985/217-802	1

Accessories; for all products on this page

 Locking lever; for flying leads; manually operated			 Locking lever; for flying leads; tool operated			 Mounting carrier; for flying leads; 2- to 5-pole		
Color	Item No.	PU (SPU)	Color	Item No.	PU (SPU)	Color	Item No.	PU
● black	770-101	100 (25)	● black	770-111	100 (25)	● black	770-310	25
○ white	770-121	100 (25)	○ white	770-131	100 (25)			

PU = packaging unit; SPU = subpackaging unit; Dimensions in mm

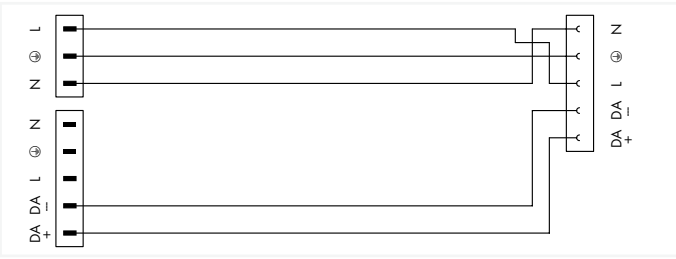
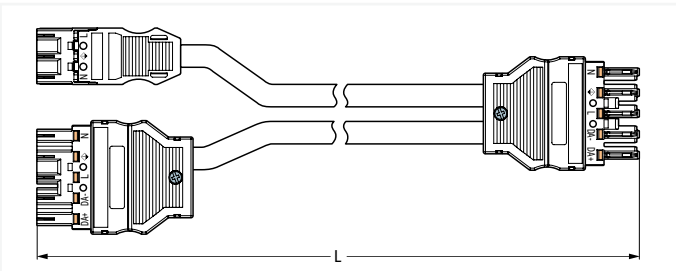
Cable assembly ▶ WINSTA® MIDI ▶ 771 Series

Pole number: 5 ▶ Fire class per EN 50575: E_{ca} ▶ Protection type: IP20 ▶ Coding: I ▶ 1.5 mm² ▶ Y-cable ▶ PVC ▶ H05VV-F 2x1.5 ▶ DALI, Lighting Management

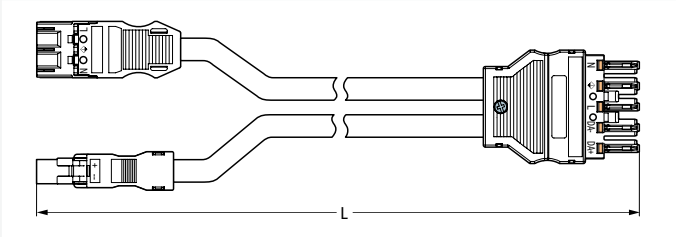
2



MIDI plug; MIDI plug - MIDI socket				
Total length	Connector color / Strain relief color			PU
	blue / black			
0.5 m	771-5001/180-000			1



MIDI plug; Plug, MINI - MIDI socket				
Total length	Connector color / Strain relief color			PU
	blue / black			
0.5 m	771-5001/182-000			1



PU = packaging unit; SPU = subpackaging unit; Dimensions in mm

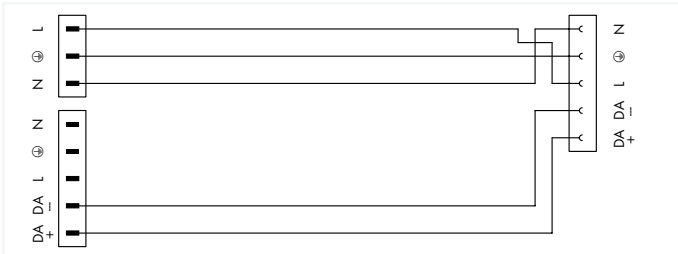
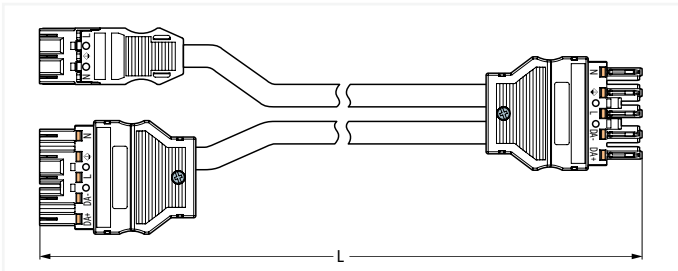
Cable assembly ▶ WINSTA® MIDI ▶ 771 Series

Pole number: 5 ▶ Fire class per EN 50575: E_{ca} ▶ Protection type: IP20 ▶ Coding: I ▶ 1.5 mm² ▶ Y-cable ▶ Halogen-free ▶ H05Z1Z1-F 2x1.5 ▶ DALI, Lighting Management

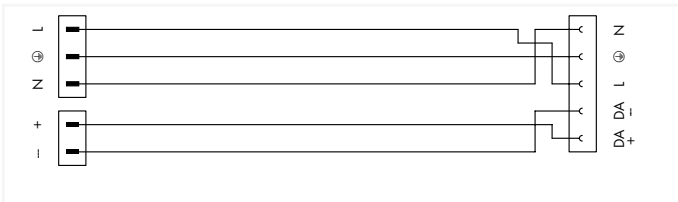
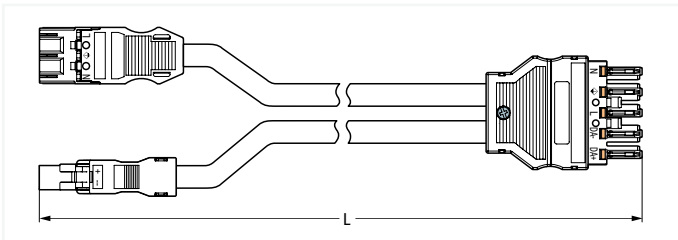


MIDI plug; MIDI plug - MIDI socket				
Total length	Connector color / Strain relief color			PU
	blue / black			
0.5 m	771-5001/181-000			1

2



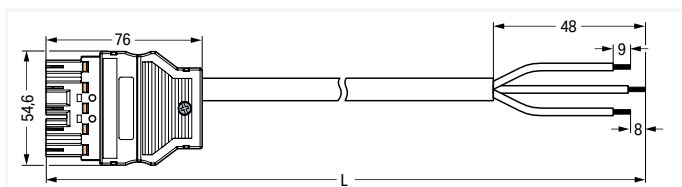
MIDI plug; Plug, MINI - MIDI socket				
Total length	Connector color / Strain relief color			PU
	blue / black			
0.5 m	771-5001/183-000			1



PU = packaging unit; SPU = subpackaging unit; Dimensions in mm

Cable assembly ▶ WINSTA® MIDI ▶ 771 Series

Pole number: 5 ▶ Fire class per EN 50575: E_{ca} ▶ Protection type: IP20 ▶ Coding: I ▶ 1.5 mm² ▶ Marking: N ⊕ L DA- DA+ ▶ Connecting cable ▶ PVC ▶ Strip length (outer insulation): 48 mm ▶ DALI, Lighting Management



H05VV-F 2x1.5 ▶ Plug - free end			
Total length	Connector color / Strain relief color		PU
	blue / black		
1 m	771-5001/164-000		1
2 m	771-5001/165-000		1
3 m	771-5001/166-000		1
4 m	771-5001/167-000		1
5 m	771-5001/168-000		1
6 m	771-5001/169-000		1
7 m	771-5001/170-000		1
8 m	771-5001/171-000		1

H05VV-F 3G1.5 ▶ Plug - free end			
Total length	Connector color / Strain relief color		PU
	blue / black		
1 m	771-5001/148-000		1
2 m	771-5001/149-000		1
3 m	771-5001/150-000		1
4 m	771-5001/151-000		1
5 m	771-5001/152-000		1
6 m	771-5001/153-000		1
7 m	771-5001/154-000		1
8 m	771-5001/155-000		1

2

Accessories; for all products on this page



Locking lever; for flying leads; manually operated



Locking lever; for flying leads; tool operated



Mounting carrier; for flying leads; 2- to 5-pole

Color	Item No.	PU (SPU)
● black	770-101	100 (25)
○ white	770-121	100 (25)

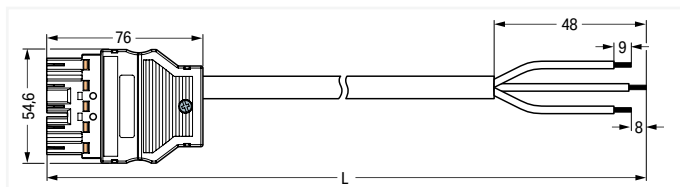
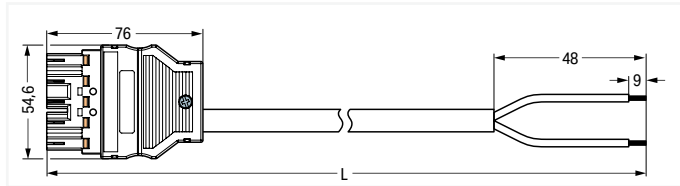
Color	Item No.	PU (SPU)
● black	770-111	100 (25)
○ white	770-131	100 (25)

Color	Item No.	PU
● black	770-310	25

PU = packaging unit; SPU = subpackaging unit; Dimensions in mm

Cable assembly ▶ WINSTA® MIDI ▶ 771 Series

Pole number: 5 ▶ Fire class per EN 50575: E_{ca} ▶ Protection type: IP20 ▶ Coding: I ▶ 1.5 mm² ▶ Marking: N ⊕ L DA- DA+ ▶ Connecting cable ▶ Halogen-free ▶ Strip length (outer insulation): 48 mm ▶ DALI, Lighting Management



H05Z1Z1-F 2x1.5 ▶ Plug - free end			
Total length	Connector color / Strain relief color		PU
	blue	black	
1 m	771-5001/172-000		1
2 m	771-5001/173-000		1
3 m	771-5001/174-000		1
4 m	771-5001/175-000		1
5 m	771-5001/176-000		1
6 m	771-5001/177-000		1
7 m	771-5001/178-000		1
8 m	771-5001/179-000		1

H05Z1Z1-F 3G1.5 ▶ Plug - free end			
Total length	Connector color / Strain relief color		PU
	blue	black	
1 m	771-5001/156-000		1
2 m	771-5001/157-000		1
3 m	771-5001/158-000		1
4 m	771-5001/159-000		1
5 m	771-5001/160-000		1
6 m	771-5001/161-000		1
7 m	771-5001/162-000		1
8 m	771-5001/163-000		1

Accessories; for all products on this page



Locking lever; for flying leads; manually operated



Locking lever; for flying leads; tool operated



Mounting carrier; for flying leads; 2- to 5-pole

Color	Item No.	PU (SPU)
● black	770-101	100 (25)
○ white	770-121	100 (25)

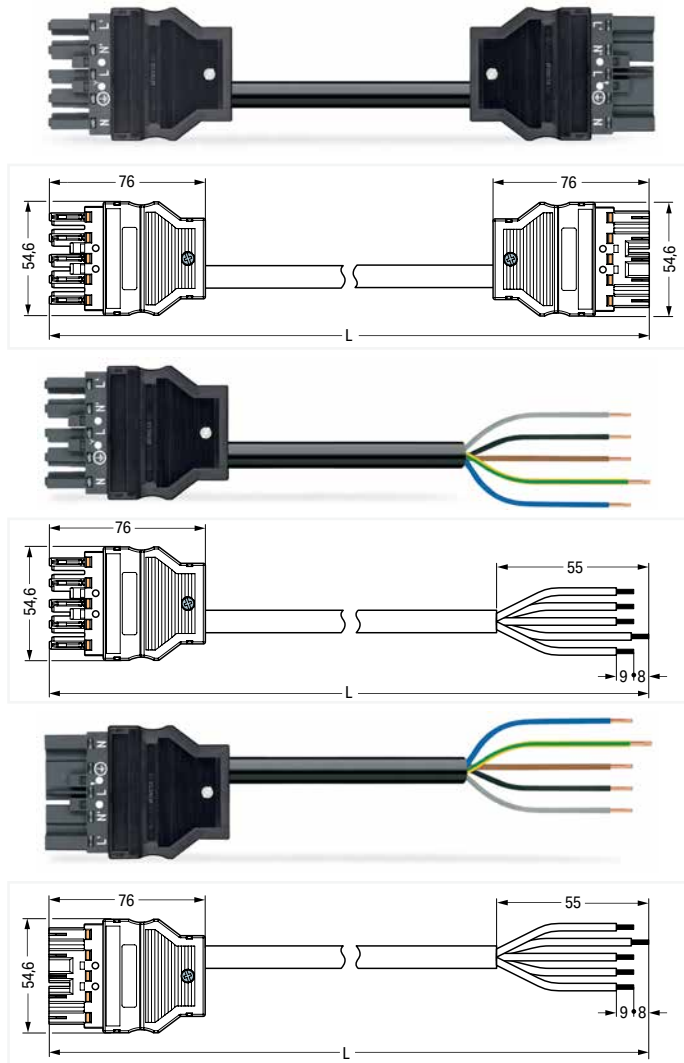
Color	Item No.	PU (SPU)
● black	770-111	100 (25)
○ white	770-131	100 (25)

Color	Item No.	PU
● black	770-310	25

PU = packaging unit; SPU = subpackaging unit; Dimensions in mm

Cable assembly ▶ WINSTA® MIDI ▶ 771 Series

Pole number: 5 ▶ Fire class per EN 50575: E_{ca} ▶ Protection type: IP20 ▶ Coding: L ▶ 1.5 mm² ▶ Marking: N ⊕ L N' L' ▶ PVC ▶ H05VV-F 5G1.5 ▶ Emergency power supply






Interconnecting cable ▶ Socket - Plug			
Total length	Connector color / Strain relief color		PU
	dark gray / black	dark gray / white	
1 m	771-8985/006-103	771-8985/006-104	1
2 m	771-8985/006-203	771-8985/006-204	1
3 m	771-8985/006-303	771-8985/006-304	1
4 m	771-8985/006-403	771-8985/006-404	1
5 m	771-8985/006-503	771-8985/006-504	1
6 m	771-8985/006-603	771-8985/006-604	1
7 m	771-8985/006-703	771-8985/006-704	1
8 m	771-8985/006-803	771-8985/006-804	1

Connecting cable ▶ Socket - free end ▶ Strip length (outer insulation): 55 mm			
Total length	Connector color / Strain relief color		PU
	dark gray / black	dark gray / white	
1 m	771-8985/106-103	771-8985/106-104	1
2 m	771-8985/106-203	771-8985/106-204	1
3 m	771-8985/106-303	771-8985/106-304	1
4 m	771-8985/106-403	771-8985/106-404	1
5 m	771-8985/106-503	771-8985/106-504	1
6 m	771-8985/106-603	771-8985/106-604	1
7 m	771-8985/106-703	771-8985/106-704	1
8 m	771-8985/106-803	771-8985/106-804	1

Connecting cable ▶ Plug - free end ▶ Strip length (outer insulation): 55 mm			
Total length	Connector color / Strain relief color		PU
	dark gray / black	dark gray / white	
1 m	771-8985/206-103	771-8985/206-104	1
2 m	771-8985/206-203	771-8985/206-204	1
3 m	771-8985/206-303	771-8985/206-304	1
4 m	771-8985/206-403	771-8985/206-404	1
5 m	771-8985/206-503	771-8985/206-504	1
6 m	771-8985/206-603	771-8985/206-604	1
7 m	771-8985/206-703	771-8985/206-704	1
8 m	771-8985/206-803	771-8985/206-804	1

2

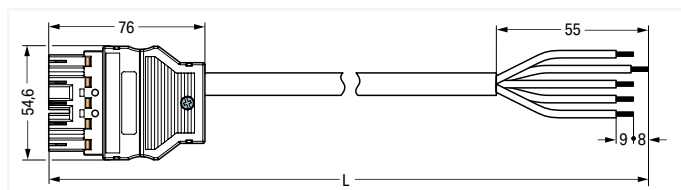
Accessories; for all products on this page

 Locking lever; for flying leads; manually operated			 Locking lever; for flying leads; tool operated			 Mounting carrier; for flying leads; 2- to 5-pole		
Color	Item No.	PU (SPU)	Color	Item No.	PU (SPU)	Color	Item No.	PU
● black	770-101	100 (25)	● black	770-111	100 (25)	● black	770-310	25
○ white	770-121	100 (25)	○ white	770-131	100 (25)			

PU = packaging unit; SPU = subpackaging unit; Dimensions in mm

Cable assembly ▶ WINSTA® MIDI ▶ 771 Series

Pole number: 5 ▶ Fire class per EN 50575: E_{ca} ▶ Protection type: IP20 ▶ Coding: L ▶ 1.5 mm² ▶ Marking: N ⊕ L N' L' ▶ Halogen-free ▶ H05Z1Z1-F 5G1.5 ▶ Emergency power supply



Interconnecting cable ▶ Socket - Plug			
Total length	Connector color / Strain relief color		PU
	dark gray / black	dark gray / white	
1 m	771-8985/016-103	771-8985/016-104	1
2 m	771-8985/016-203	771-8985/016-204	1
3 m	771-8985/016-303	771-8985/016-304	1
4 m	771-8985/016-403	771-8985/016-404	1
5 m	771-8985/016-503	771-8985/016-504	1
6 m	771-8985/016-603	771-8985/016-604	1
7 m	771-8985/016-703	771-8985/016-704	1
8 m	771-8985/016-803	771-8985/016-804	1

Connecting cable ▶ Socket - free end ▶ Strip length (outer insulation): 55 mm			
Total length	Connector color / Strain relief color		PU
	dark gray / black	dark gray / white	
1 m	771-8985/116-103	771-8985/116-104	1
2 m	771-8985/116-203	771-8985/116-204	1
3 m	771-8985/116-303	771-8985/116-304	1
4 m	771-8985/116-403	771-8985/116-404	1
5 m	771-8985/116-503	771-8985/116-504	1
6 m	771-8985/116-603	771-8985/116-604	1
7 m	771-8985/116-703	771-8985/116-704	1
8 m	771-8985/116-803	771-8985/116-804	1

Connecting cable ▶ Plug - free end ▶ Strip length (outer insulation): 55 mm			
Total length	Connector color / Strain relief color		PU
	dark gray / black	dark gray / white	
1 m	771-8985/216-103	771-8985/216-104	1
2 m	771-8985/216-203	771-8985/216-204	1
3 m	771-8985/216-303	771-8985/216-304	1
4 m	771-8985/216-403	771-8985/216-404	1
5 m	771-8985/216-503	771-8985/216-504	1
6 m	771-8985/216-603	771-8985/216-604	1
7 m	771-8985/216-703	771-8985/216-704	1
8 m	771-8985/216-803	771-8985/216-804	1

Accessories; for all products on this page



Locking lever; for flying leads; manually operated



Locking lever; for flying leads; tool operated



Mounting carrier; for flying leads; 2- to 5-pole

Color	Item No.	PU (SPU)
● black	770-101	100 (25)
○ white	770-121	100 (25)

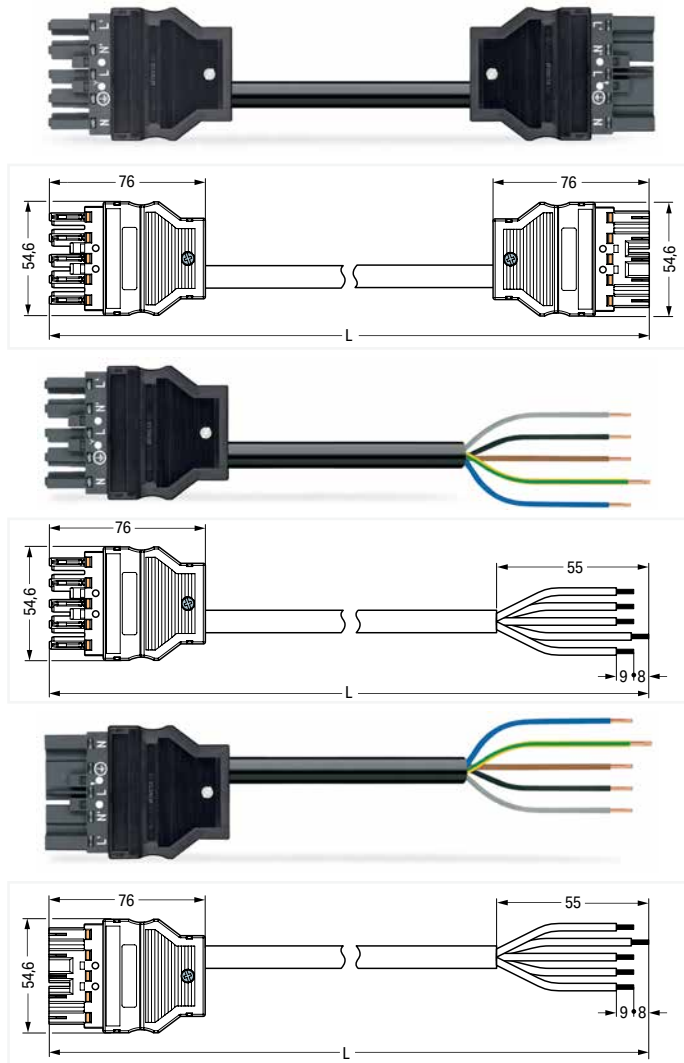
Color	Item No.	PU (SPU)
● black	770-111	100 (25)
○ white	770-131	100 (25)

Color	Item No.	PU
● black	770-310	25

PU = packaging unit; SPU = subpackaging unit; Dimensions in mm

Cable assembly ▶ WINSTA® MIDI ▶ 771 Series

Pole number: 5 ▶ Fire class per EN 50575: E_{ca} ▶ Protection type: IP20 ▶ Coding: L ▶ 2.5 mm² ▶ Marking: N ⊕ L N' L' ▶ PVC ▶ H05VV-F 5G2.5 ▶ Emergency power supply






Interconnecting cable ▶ Socket - Plug			
Total length	Connector color / Strain relief color		PU
	dark gray / black	dark gray / white	
1 m	771-8985/007-103	771-8985/007-104	1
2 m	771-8985/007-203	771-8985/007-204	1
3 m	771-8985/007-303	771-8985/007-304	1
4 m	771-8985/007-403	771-8985/007-404	1
5 m	771-8985/007-503	771-8985/007-504	1
6 m	771-8985/007-603	771-8985/007-604	1
7 m	771-8985/007-703	771-8985/007-704	1
8 m	771-8985/007-803	771-8985/007-804	1

Connecting cable ▶ Socket - free end ▶ Strip length (outer insulation): 55 mm			
Total length	Connector color / Strain relief color		PU
	dark gray / black	dark gray / white	
1 m	771-8985/107-103	771-8985/107-104	1
2 m	771-8985/107-203	771-8985/107-204	1
3 m	771-8985/107-303	771-8985/107-304	1
4 m	771-8985/107-403	771-8985/107-404	1
5 m	771-8985/107-503	771-8985/107-504	1
6 m	771-8985/107-603	771-8985/107-604	1
7 m	771-8985/107-703	771-8985/107-704	1
8 m	771-8985/107-803	771-8985/107-804	1

Connecting cable ▶ Plug - free end ▶ Strip length (outer insulation): 55 mm			
Total length	Connector color / Strain relief color		PU
	dark gray / black	dark gray / white	
1 m	771-8985/207-103	771-8985/207-104	1
2 m	771-8985/207-203	771-8985/207-204	1
3 m	771-8985/207-303	771-8985/207-304	1
4 m	771-8985/207-403	771-8985/207-404	1
5 m	771-8985/207-503	771-8985/207-504	1
6 m	771-8985/207-603	771-8985/207-604	1
7 m	771-8985/207-703	771-8985/207-704	1
8 m	771-8985/207-803	771-8985/207-804	1
9 m	771-8985/207-903		1

2

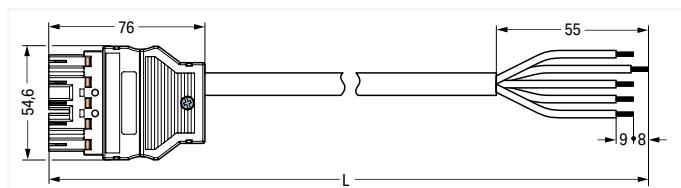
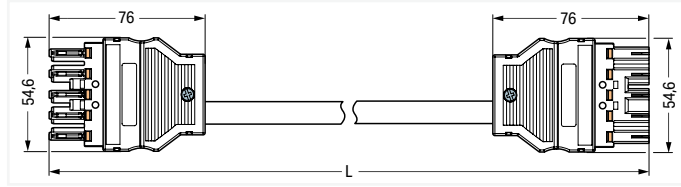
Accessories; for all products on this page

 Locking lever; for flying leads; manually operated			 Locking lever; for flying leads; tool operated			 Mounting carrier; for flying leads; 2- to 5-pole		
Color	Item No.	PU (SPU)	Color	Item No.	PU (SPU)	Color	Item No.	PU
● black	770-101	100 (25)	● black	770-111	100 (25)	● black	770-310	25
○ white	770-121	100 (25)	○ white	770-131	100 (25)			

PU = packaging unit; SPU = subpackaging unit; Dimensions in mm

Cable assembly ▶ WINSTA® MIDI ▶ 771 Series

Pole number: 5 ▶ Fire class per EN 50575: E_{ca} ▶ Protection type: IP20 ▶ Coding: L ▶ 2.5 mm² ▶ Marking: N ⊕ L N' L' ▶ Halogen-free ▶ H05Z1Z1-F 5G2.5 ▶ Emergency power supply



Interconnecting cable ▶ Socket - Plug

Total length	Connector color / Strain relief color		PU
	dark gray / black	dark gray / white	
1 m	771-8985/017-103	771-8985/017-104	1
2 m	771-8985/017-203	771-8985/017-204	1
3 m	771-8985/017-303	771-8985/017-304	1
4 m	771-8985/017-403	771-8985/017-404	1
5 m	771-8985/017-503	771-8985/017-504	1
6 m	771-8985/017-603	771-8985/017-604	1
7 m	771-8985/017-703	771-8985/017-704	1
8 m	771-8985/017-803	771-8985/017-804	1

Connecting cable ▶ Socket - free end ▶ Strip length (outer insulation): 55 mm

Total length	Connector color / Strain relief color		PU
	dark gray / black	dark gray / white	
1 m	771-8985/117-103	771-8985/117-104	1
2 m	771-8985/117-203	771-8985/117-204	1
3 m	771-8985/117-303	771-8985/117-304	1
4 m	771-8985/117-403	771-8985/117-404	1
5 m	771-8985/117-503	771-8985/117-504	1
6 m	771-8985/117-603	771-8985/117-604	1
7 m	771-8985/117-703	771-8985/117-704	1
8 m	771-8985/117-803	771-8985/117-804	1

Connecting cable ▶ Plug - free end ▶ Strip length (outer insulation): 55 mm

Total length	Connector color / Strain relief color		PU
	dark gray / black	dark gray / white	
1 m	771-8985/217-103	771-8985/217-104	1
2 m	771-8985/217-203	771-8985/217-204	1
3 m	771-8985/217-303	771-8985/217-304	1
4 m	771-8985/217-403	771-8985/217-404	1
5 m	771-8985/217-503	771-8985/217-504	1
6 m	771-8985/217-603	771-8985/217-604	1
7 m	771-8985/217-703	771-8985/217-704	1
8 m	771-8985/217-803	771-8985/217-804	1

Accessories; for all products on this page



Locking lever; for flying leads; manually operated



Locking lever; for flying leads; tool operated



Mounting carrier; for flying leads; 2- to 5-pole

Color	Item No.	PU (SPU)
● black	770-101	100 (25)
○ white	770-121	100 (25)

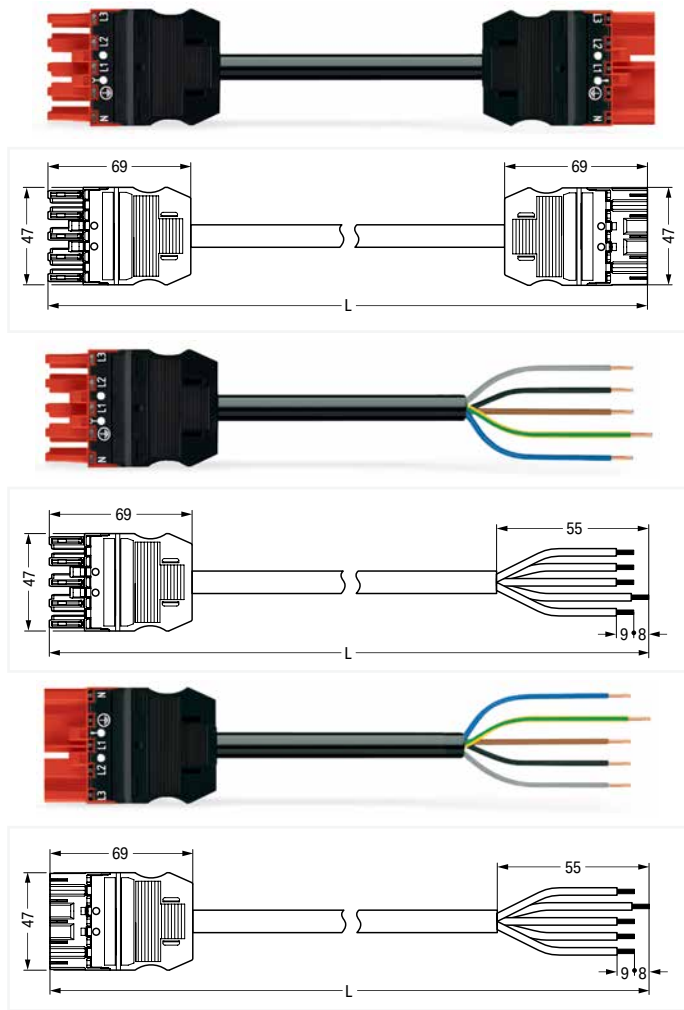
Color	Item No.	PU (SPU)
● black	770-111	100 (25)
○ white	770-131	100 (25)

Color	Item No.	PU
● black	770-310	25

PU = packaging unit; SPU = subpackaging unit; Dimensions in mm

Cable assembly ▶ WINSTA® MIDI ▶ 771 Series

Pole number: 5 ▶ Fire class per EN 50575: E_{ca} ▶ Protection type: IP20 ▶ Coding: P ▶ 1.5 mm² ▶ Marking: N ⊕ L1 L2 L3 ▶ PVC ▶ H05VV-F 5G1.5 ▶ EDV (UPS)






Interconnecting cable ▶ Socket - Plug			
Total length	Connector color / Strain relief color		PU
	red / black	red / white	
1 m	771-9975/006-101	771-9975/006-102	1
2 m	771-9975/006-201	771-9975/006-202	1
3 m	771-9975/006-301	771-9975/006-302	1
4 m	771-9975/006-401	771-9975/006-402	1
5 m	771-9975/006-501	771-9975/006-502	1
6 m	771-9975/006-601	771-9975/006-602	1
7 m	771-9975/006-701	771-9975/006-702	1
8 m	771-9975/006-801	771-9975/006-802	1

Connecting cable ▶ Socket - free end ▶ Strip length (outer insulation): 55 mm			
Total length	Connector color / Strain relief color		PU
	red / black	red / white	
1 m	771-9975/106-101	771-9975/106-102	1
2 m	771-9975/106-201	771-9975/106-202	1
3 m	771-9975/106-301	771-9975/106-302	1
4 m	771-9975/106-401	771-9975/106-402	1
5 m	771-9975/106-501	771-9975/106-502	1
6 m	771-9975/106-601	771-9975/106-602	1
7 m	771-9975/106-701	771-9975/106-702	1
8 m	771-9975/106-801	771-9975/106-802	1

Connecting cable ▶ Plug - free end ▶ Strip length (outer insulation): 55 mm			
Total length	Connector color / Strain relief color		PU
	red / black	red / white	
1 m	771-9975/206-101	771-9975/206-102	1
2 m	771-9975/206-201	771-9975/206-202	1
3 m	771-9975/206-301	771-9975/206-302	1
4 m	771-9975/206-401	771-9975/206-402	1
5 m	771-9975/206-501	771-9975/206-502	1
6 m	771-9975/206-601	771-9975/206-602	1
7 m	771-9975/206-701	771-9975/206-702	1
8 m	771-9975/206-801	771-9975/206-802	1

2

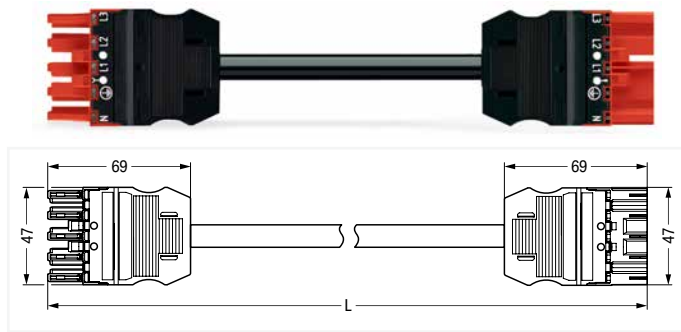
Accessories; for all products on this page

 Locking lever; for flying leads; manually operated			 Locking lever; for flying leads; tool operated			 Mounting carrier; for flying leads; 2- to 5-pole		
Color	Item No.	PU (SPU)	Color	Item No.	PU (SPU)	Color	Item No.	PU
● black	770-101	100 (25)	● black	770-111	100 (25)	● black	770-310	25
○ white	770-121	100 (25)	○ white	770-131	100 (25)			

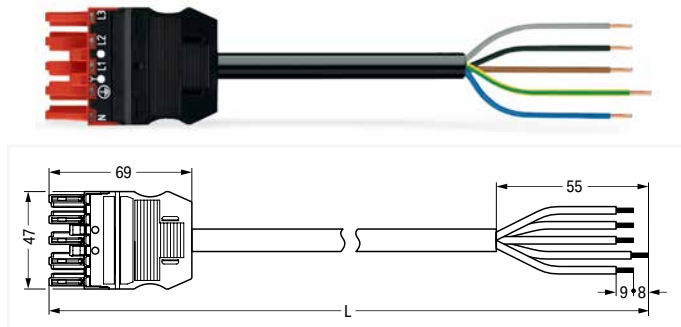
PU = packaging unit; SPU = subpackaging unit; Dimensions in mm

Cable assembly ▶ WINSTA® MIDI ▶ 771 Series

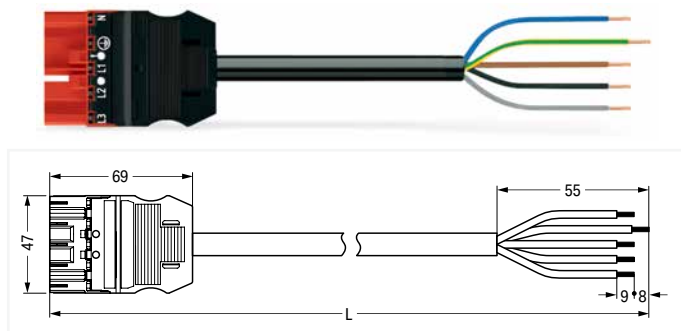
Pole number: 5 ▶ Fire class per EN 50575: E_{ca} ▶ Protection type: IP20 ▶ Coding: P ▶ 1.5 mm² ▶ Marking: N ⊕ L1 L2 L3 ▶ Halogen-free ▶ H05Z1Z1-F 5G1.5 ▶ EDV (UPS)



Total length	Connector color / Strain relief color		PU
	red / black	red / white	
1 m	771-9975/016-101	771-9975/016-102	1
2 m	771-9975/016-201	771-9975/016-202	1
3 m	771-9975/016-301	771-9975/016-302	1
4 m	771-9975/016-401	771-9975/016-402	1
5 m	771-9975/016-501	771-9975/016-502	1
6 m	771-9975/016-601	771-9975/016-602	1
7 m	771-9975/016-701	771-9975/016-702	1
8 m	771-9975/016-801	771-9975/016-802	1



Total length	Connector color / Strain relief color		PU
	red / black	red / white	
1 m	771-9975/116-101	771-9975/116-102	1
2 m	771-9975/116-201	771-9975/116-202	1
3 m	771-9975/116-301	771-9975/116-302	1
4 m	771-9975/116-401	771-9975/116-402	1
5 m	771-9975/116-501	771-9975/116-502	1
6 m	771-9975/116-601	771-9975/116-602	1
7 m	771-9975/116-701	771-9975/116-702	1
8 m	771-9975/116-801	771-9975/116-802	1



Total length	Connector color / Strain relief color		PU
	red / black	red / white	
1 m	771-9975/216-101	771-9975/216-102	1
2 m	771-9975/216-201	771-9975/216-202	1
3 m	771-9975/216-301	771-9975/216-302	1
4 m	771-9975/216-401	771-9975/216-402	1
5 m	771-9975/216-501	771-9975/216-502	1
6 m	771-9975/216-601	771-9975/216-602	1
7 m	771-9975/216-701	771-9975/216-702	1
8 m	771-9975/216-801	771-9975/216-802	1

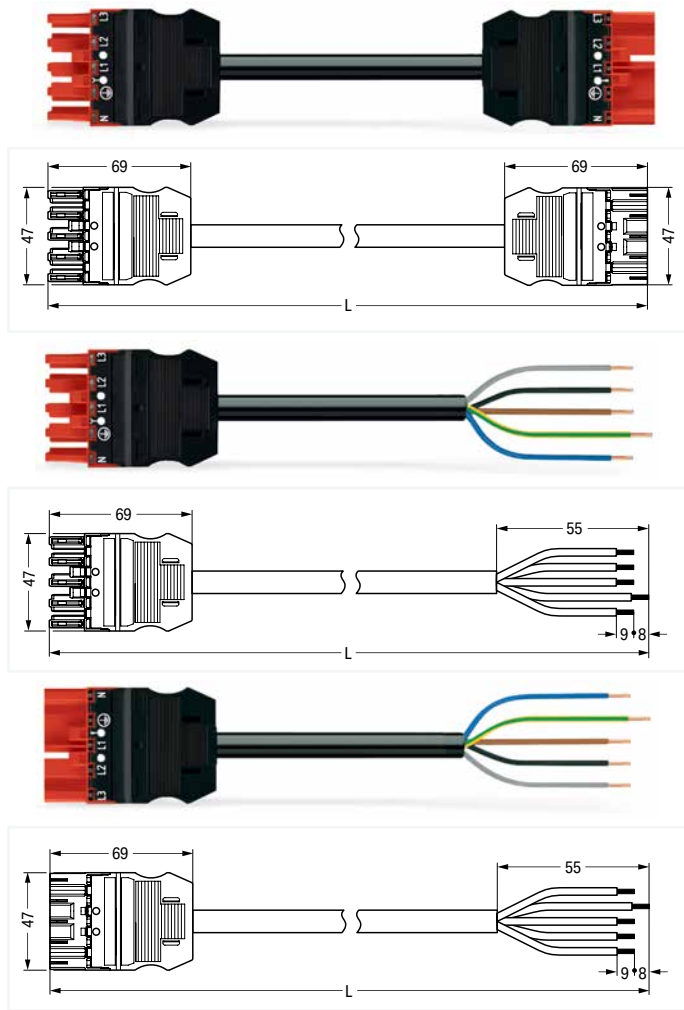
Accessories; for all products on this page

Locking lever; for flying leads; manually operated			Locking lever; for flying leads; tool operated			Mounting carrier; for flying leads; 2- to 5-pole		
Color	Item No.	PU (SPU)	Color	Item No.	PU (SPU)	Color	Item No.	PU
● black	770-101	100 (25)	● black	770-111	100 (25)	● black	770-310	25
○ white	770-121	100 (25)	○ white	770-131	100 (25)			

PU = packaging unit; SPU = subpackaging unit; Dimensions in mm

Cable assembly ▶ WINSTA® MIDI ▶ 771 Series

Pole number: 5 ▶ Fire class per EN 50575: E_{ca} ▶ Protection type: IP20 ▶ Coding: P ▶ 2.5 mm² ▶ Marking: N ⊕ L1 L2 L3 ▶ PVC ▶ H05VV-F 5G2.5 ▶ EDV (UPS)






Interconnecting cable ▶ Socket - Plug			
Total length	Connector color / Strain relief color		PU
	red / black	red / white	
1 m	771-9975/007-101	771-9975/007-102	1
2 m	771-9975/007-201	771-9975/007-202	1
3 m	771-9975/007-301	771-9975/007-302	1
4 m	771-9975/007-401	771-9975/007-402	1
5 m	771-9975/007-501	771-9975/007-502	1
6 m	771-9975/007-601	771-9975/007-602	1
7 m	771-9975/007-701	771-9975/007-702	1
8 m	771-9975/007-801	771-9975/007-802	1

Connecting cable ▶ Socket - free end ▶ Strip length (outer insulation): 55 mm			
Total length	Connector color / Strain relief color		PU
	red / black	red / white	
1 m	771-9975/107-101	771-9975/107-102	1
2 m	771-9975/107-201	771-9975/107-202	1
3 m	771-9975/107-301	771-9975/107-302	1
4 m	771-9975/107-401	771-9975/107-402	1
5 m	771-9975/107-501	771-9975/107-502	1
6 m	771-9975/107-601	771-9975/107-602	1
7 m	771-9975/107-701	771-9975/107-702	1
8 m	771-9975/107-801	771-9975/107-802	1

Connecting cable ▶ Plug - free end ▶ Strip length (outer insulation): 55 mm			
Total length	Connector color / Strain relief color		PU
	red / black	red / white	
1 m	771-9975/207-101	771-9975/207-102	1
2 m	771-9975/207-201	771-9975/207-202	1
3 m	771-9975/207-301	771-9975/207-302	1
4 m	771-9975/207-401	771-9975/207-402	1
5 m	771-9975/207-501	771-9975/207-502	1
6 m	771-9975/207-601	771-9975/207-602	1
7 m	771-9975/207-701	771-9975/207-702	1
8 m	771-9975/207-801	771-9975/207-802	1

2

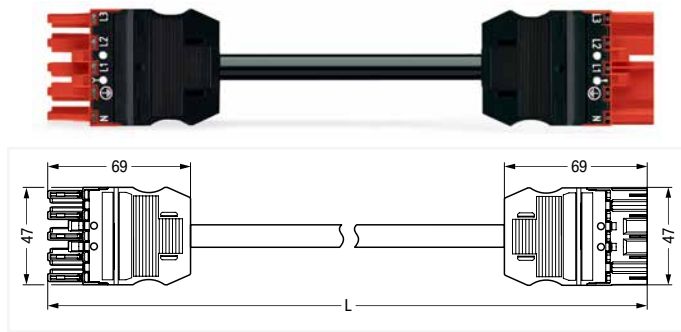
Accessories; for all products on this page

 Locking lever; for flying leads; manually operated			 Locking lever; for flying leads; tool operated			 Mounting carrier; for flying leads; 2- to 5-pole		
Color	Item No.	PU (SPU)	Color	Item No.	PU (SPU)	Color	Item No.	PU
● black	770-101	100 (25)	● black	770-111	100 (25)	● black	770-310	25
○ white	770-121	100 (25)	○ white	770-131	100 (25)			

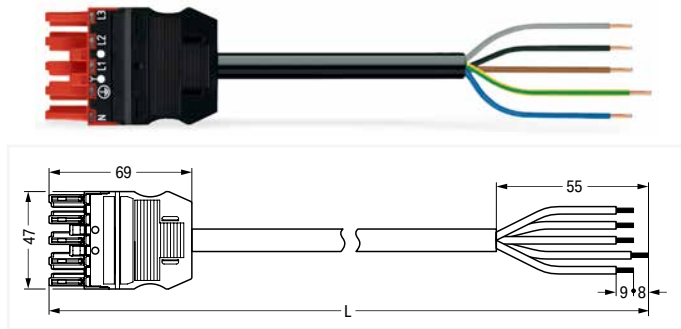
PU = packaging unit; SPU = subpackaging unit; Dimensions in mm

Cable assembly ▶ WINSTA® MIDI ▶ 771 Series

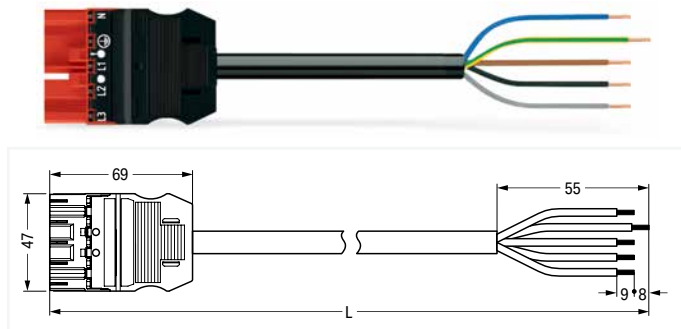
Pole number: 5 ▶ Fire class per EN 50575: E_{ca} ▶ Protection type: IP20 ▶ Coding: P ▶ 2.5 mm² ▶ Marking: N ⊕ L1 L2 L3 ▶ Halogen-free ▶ H05Z1Z1-F 5G2.5 ▶ EDV (UPS)



Interconnecting cable ▶ Socket - Plug			
Total length	Connector color / Strain relief color		PU
	red / black	red / white	
1 m	771-9975/017-101	771-9975/017-102	1
2 m	771-9975/017-201	771-9975/017-202	1
3 m	771-9975/017-301	771-9975/017-302	1
4 m	771-9975/017-401	771-9975/017-402	1
5 m	771-9975/017-501	771-9975/017-502	1
6 m	771-9975/017-601	771-9975/017-602	1
7 m	771-9975/017-701	771-9975/017-702	1
8 m	771-9975/017-801	771-9975/017-802	1






Connecting cable ▶ Socket - free end ▶ Strip length (outer insulation): 55 mm			
Total length	Connector color / Strain relief color		PU
	red / black	red / white	
1 m	771-9975/117-101	771-9975/117-102	1
2 m	771-9975/117-201	771-9975/117-202	1
3 m	771-9975/117-301	771-9975/117-302	1
4 m	771-9975/117-401	771-9975/117-402	1
5 m	771-9975/117-501	771-9975/117-502	1
6 m	771-9975/117-601	771-9975/117-602	1
7 m	771-9975/117-701	771-9975/117-702	1
8 m	771-9975/117-801	771-9975/117-802	1



Connecting cable ▶ Plug - free end ▶ Strip length (outer insulation): 55 mm			
Total length	Connector color / Strain relief color		PU
	red / black	red / white	
1 m	771-9975/217-101	771-9975/217-102	1
2 m	771-9975/217-201	771-9975/217-202	1
3 m	771-9975/217-301	771-9975/217-302	1
4 m	771-9975/217-401	771-9975/217-402	1
5 m	771-9975/217-501	771-9975/217-502	1
6 m	771-9975/217-601	771-9975/217-602	1
7 m	771-9975/217-701	771-9975/217-702	1
8 m	771-9975/217-801	771-9975/217-802	1

Accessories; for all products on this page

 Locking lever; for flying leads; manually operated			 Locking lever; for flying leads; tool operated			 Mounting carrier; for flying leads; 2- to 5-pole		
Color	Item No.	PU (SPU)	Color	Item No.	PU (SPU)	Color	Item No.	PU
● black	770-101	100 (25)	● black	770-111	100 (25)	● black	770-310	25
○ white	770-121	100 (25)	○ white	770-131	100 (25)			

PU = packaging unit; SPU = subpackaging unit; Dimensions in mm



WAGO Pluggable Connection System *WINSTA*® MAXI

WAGO Pluggable Connection System WINSTA® MAXI ▶ 831 Series

6 mm² / 35 A

- Note:**
- Installation connectors are designed for connection and disconnection while not under load.
 - There is no hazard-inducing interchangeability with systems based on IEC 60309, IEC 60320, IEC 60906 and with national connector and socket systems.
 - Compliance with the standards (IEC 61535) does not guarantee hazard-preventing, non-interchangeability with installation connector systems from various manufacturers.
 - Installation connector systems are not a substitute for residential connector/socket systems.
 - WINSTA® MAXI Connectors are not intended for installation in open or easily accessible areas.



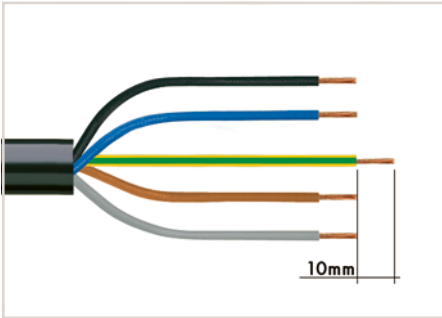
Pluggable Connectors; 831 Series
5-pole

Page

278

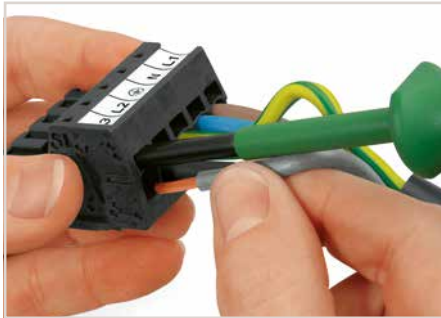
3

WINSTA® MAXI ▶ 831 Series Description and Installation



The following lengths are recommended:

1. Strip length, outer insulation = 80 mm
2. Strip length = 13 mm
3. Extended ground conductor = 10 mm



To terminate fine-stranded conductors, open the clamping unit via screwdriver (5.5 mm blade width) and insert a stripped conductor until it hits backstop.



The printed marking of the connector is clearly visible in the openings of the strain relief housing.

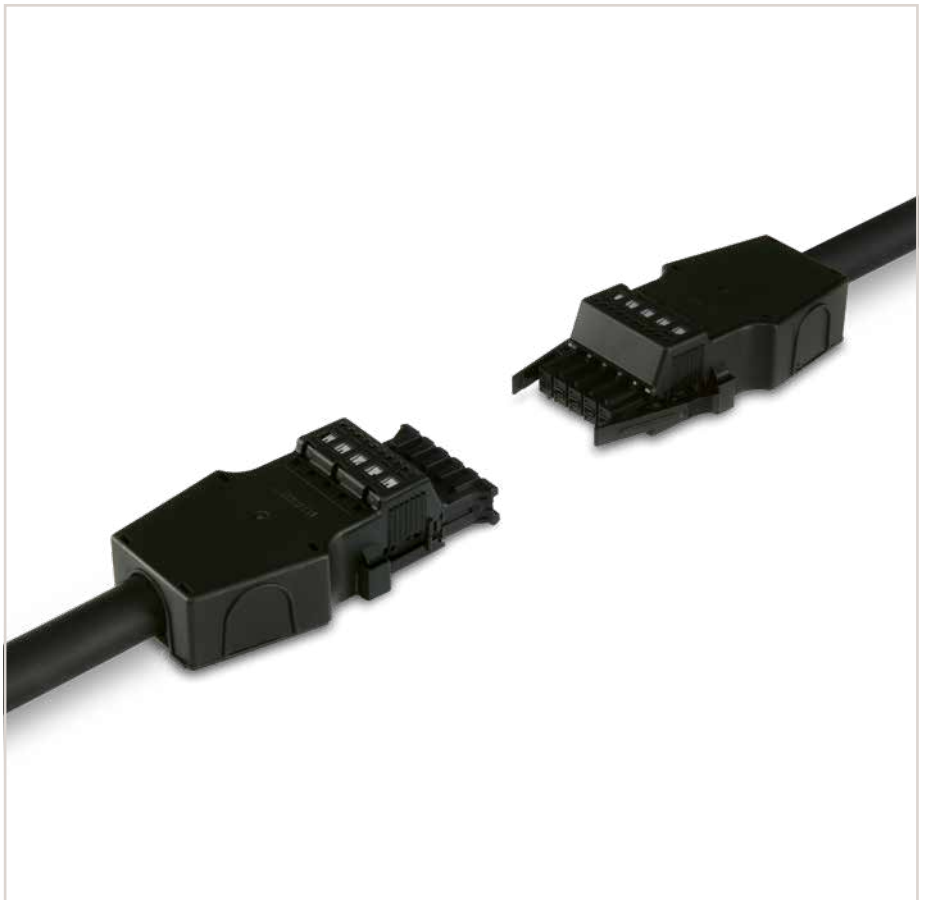
3



Unscrew base of strain relief housing.



Snap wired connector onto the base.



Tighten strain relief using a screwdriver.



Wired connector fitted in base of strain relief housing.



Latch the top of the strain relief housing.

Pluggable connectors ▶ WINSTA® MAXI ▶ 831 Series

Pole number: 5



- Protected against mismatching and maintenance-free
- Push-in CAGE CLAMP® spring pressure connection technology allows solid conductors to be simply pushed into a unit.
- Minimize voltage drop over longer cable runs.

Electrical data

Ratings per	IEC/EN 60664-1		
Overtoltage category	III	III	II
Pollution degree	3	2	2
Nominal voltage	400 V	-	-
Rated surge voltage	6 kV	-	-
Rated current	35 A	-	-

Connection data

Connection technology	Push-in CAGE CLAMP®
Strip length	13 mm / 0.51 inches
Nominal cross-section	6 mm ² / 8 AWG
Solid conductor	0.5 ... 6 mm ² / 20 ... 8 AWG
Stranded conductor	0.5 ... 4 mm ² / 20 ... 12 AWG
Fine-stranded conductor	0.5 ... 6 mm ² / 20 ... 8 AWG
Fine-stranded conductor; with insulated ferrule	0.5 ... 6 mm ²
Fine-stranded conductor; with uninsulated ferrule	0.5 ... 6 mm ²

Material data

Material group	I
Insulation material (main housing)	Polyamide (PA66)
Flammability class per UL94	V0
Clamping spring material	Chrome-nickel spring steel (CrNi)
Contact material	Copper or copper alloy; surface-treated
Contact Plating	Tin

Mechanical data

Number of mating cycles	100, without resistive load
Mating force of a plug-in connection	approx. 30 ... 70 N (depending on number of poles)
Unmating force of a plug-in connection	Unlocked: approx. 30 ... 70 N (depending on pole number)
Retention force of a plug-in connection	Locked: > 80 N
Protection type	IP20
Note on protection type	When mated and secured with a strain relief housing: IP2xC (These compact connectors are not designed for use in open, easily accessible areas!)

Environmental requirements

Processing temperature	-5 ... +40 °C
Continuous operating temperature	-35 ... +85 °C
Note on continuous operating temperature	Insulating parts for temperatures ≤ 105 °C

Note:

All WINSTA® components are 100% protected against mismatching when:

- plugging different numbers of poles
- plugging while rotated 180
- plugging while laterally staggered
- plugging one pole

See technical section for further information

Approvals and corresponding ratings, visit www.wago.com

Pluggable connectors ► WINSTA® MAXI ► 831 Series

Pole number: 5

Female connector/socket

Male connector/plug

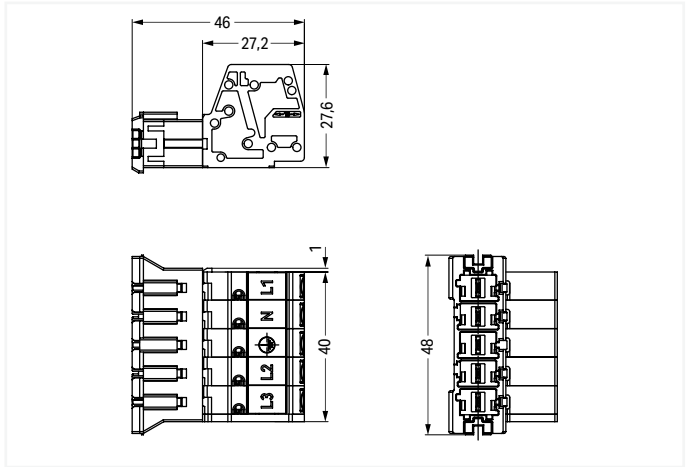
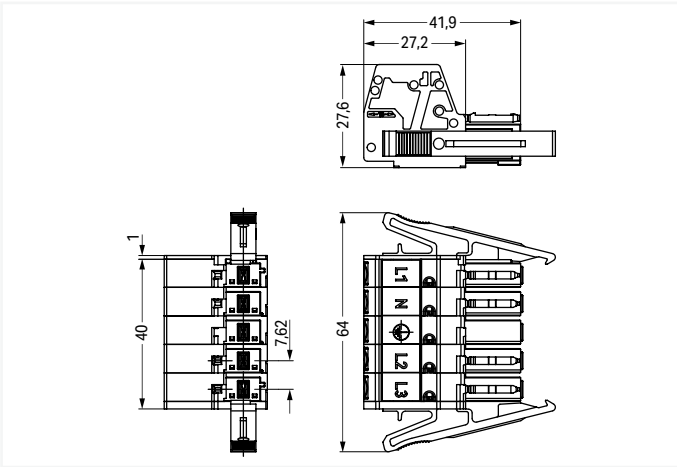


831-3105/1019-004

831-3205/1020-004

Color	Coding	Marking	Item No.	PU
● black	A	L1 N ⊕ L2 L3	831-3105/1019-004	5
○ white	A	L1 N ⊕ L2 L3	831-3105/1019-050	5

Color	Coding	Marking	Item No.	PU
● black	A	L1 N ⊕ L2 L3	831-3205/1020-004	5
○ white	A	L1 N ⊕ L2 L3	831-3205/1020-050	5



3

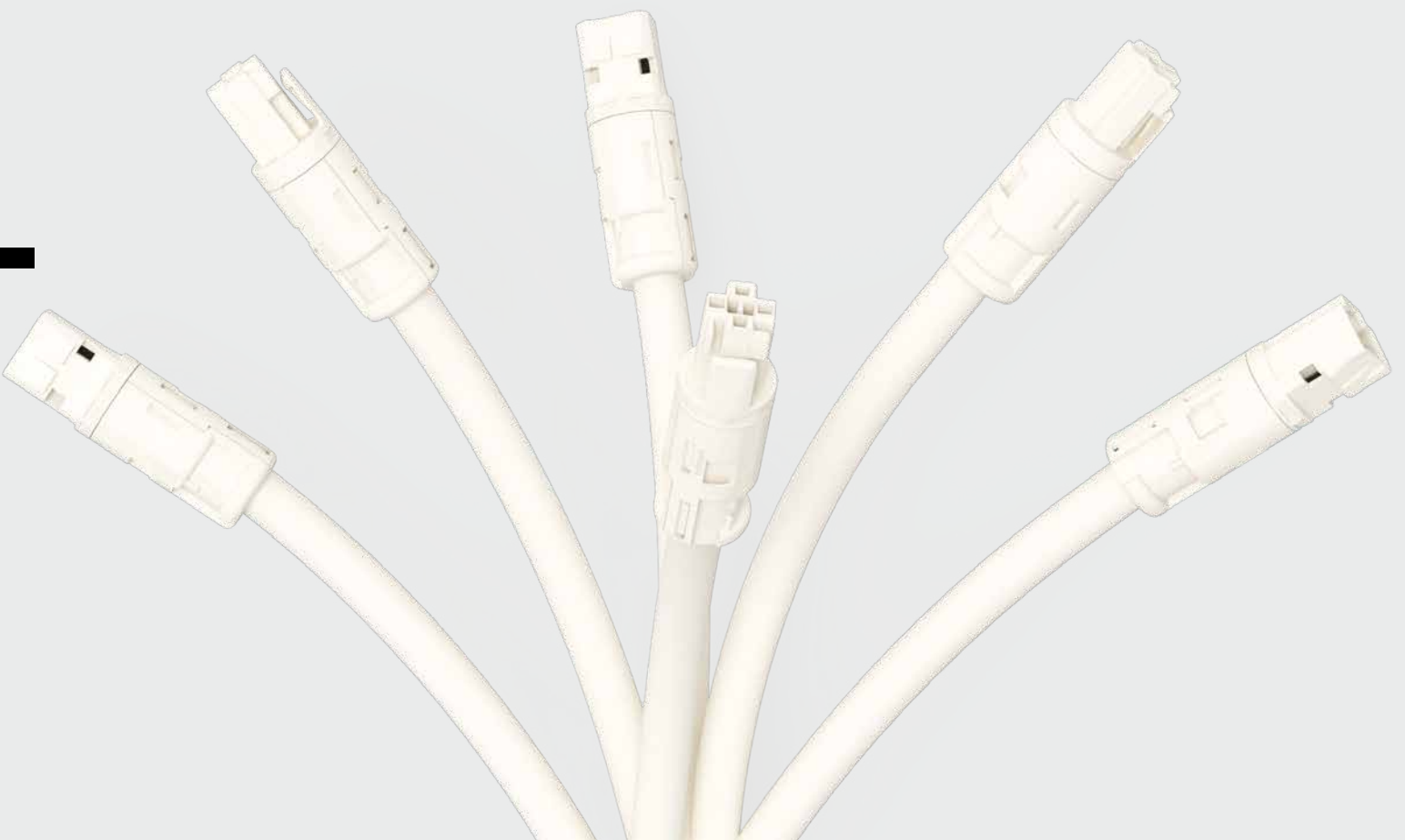
Accessories; for all products on this page



Operating tool; 1 -times

Color	Item No.	PU (SPU)
○ multi-colored	210-721	25 (1)

PU = packaging unit; SPU = subpackaging unit; Dimensions in mm



WAGO Pluggable Connection System
WINSTA® RD

WAGO Pluggable Connection System WINSTA® RD ▶ 774 Series

2.5 mm² / 20 A

- Note:**
- Installation connectors are designed for connection and disconnection while not under load.
 - There is no hazard-inducing interchangeability with systems based on IEC 60309, IEC 60320, IEC 60906 and with national connector and socket systems.
 - Compliance with the standards (IEC 61535) does not guarantee hazard-preventing, non-interchangeability with installation connector systems from various manufacturers.
 - Installation connector systems are not a substitute for residential connector/socket systems.
 - **WINSTA® RD** Connectors are not intended for installation in open or easily accessible areas.



	Page
Cable Assemblies; 774 Series	
3-pole	282
4-pole	290

Cable assembly ▶ WINSTA® RD ▶ 774 Series

Pole number: 3 ▶ Protection type: IP20 ▶ Fire class per EN 50575: E_{ca}

- For round conduits and ducts
- 3- and 4-pole pre-assembled cables with 17.5 mm (0.689 inch) outer diameter for easy plug & play
- Plug-in integration into the electrical installations of hollow-wall boxes via adapter, for example

Electrical data						
Coding	A; S			A		
Wire cross-section	1.5 mm ²			2.5 mm ²		
Ratings per	IEC/EN 60664-1			IEC/EN 60664-1		
Overtoltage category	III	III	II	III	III	II
Pollution degree	3	2	2	3	2	2
Nominal voltage	250 V	-	-	250 V	-	-
Rated surge voltage	4 kV	-	-	4 kV	-	-
Rated current	16 A	-	-	20 A	-	-
Material data						
Insulation material (main housing)	Polyamide (PA66)					
Contact material	Copper or copper alloy; surface-treated					
Contact Plating	Tin					
Fire class per EN 50575	E _{ca}					
Mechanical data						
Number of mating cycles	200, without resistive load					
Mating force of a plug-in connection	Approx. 30 ... 70 N (depending on pole number)					
Unmating force of a plug-in connection	Unlocked: approx. 30 ... 70 N (depending on pole number)					
Retention force of a plug-in connection	when locked: > 80N					
Protection type	IP20					
Note on protection type	When mated: IP2xC (These compact connectors are not designed for use in open, easily accessible areas!)					
Environmental requirements						
Processing temperature	-5 ... +40 °C					
Continuous operating temperature	-35 ... +85 °C					
Note on continuous operating temperature	Cable for temperatures ≤ 70 °C (including halogen-free) Insulating parts for temperatures ≤ 105 °C					

Note:

Cables with a different fire class can be found in the eS-hop.

All WINSTA® components are 100% protected against mismatching when:

- plugging different numbers of poles
- plugging while incorrectly rotated
- plugging while laterally staggered

Coding Page 373

Cover Page 370

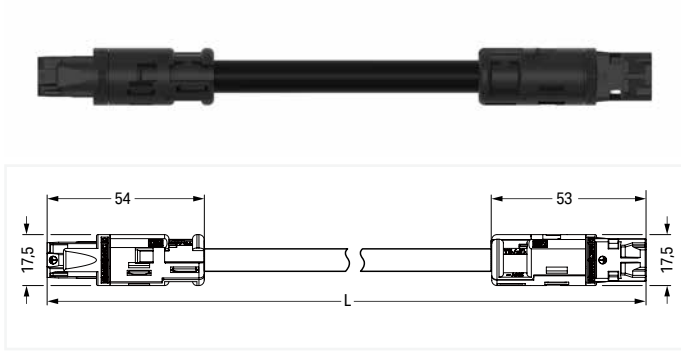
See technical section for further information

Approvals and corresponding ratings, visit www.wago.com

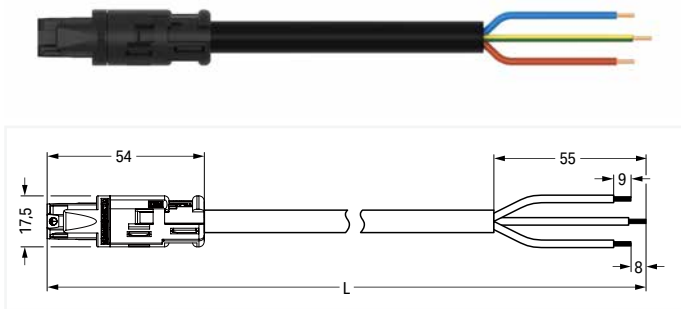
Cable assembly ▶ WINSTA® RD ▶ 774 Series

Pole number: 3 ▶ Protection type: IP20 ▶ Fire class per EN 50575: E_{ca} ▶ Coding: A ▶ 1.5 mm² ▶

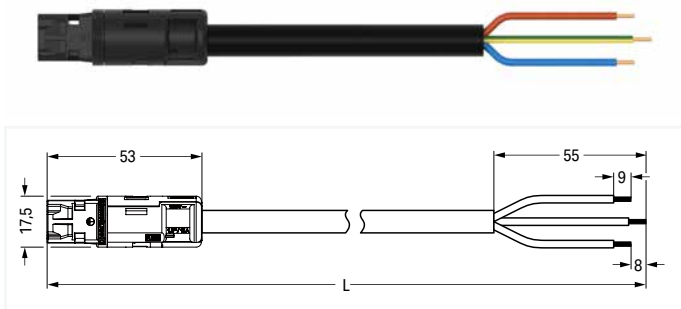
Marking: L ⊕ N ▶ PVC ▶ H05VV-F 3G1.5



Interconnecting cable ▶ Socket - Plug			
Total length	Connector color / Strain relief color		PU
	black / black	white / white	
1 m	774-9993/006-101	774-9993/006-102	1
2 m	774-9993/006-201	774-9993/006-202	1
3 m	774-9993/006-301	774-9993/006-302	1
4 m	774-9993/006-401	774-9993/006-402	1
5 m	774-9993/006-501	774-9993/006-502	1
6 m	774-9993/006-601	774-9993/006-602	1
7 m	774-9993/006-701	774-9993/006-702	1
8 m	774-9993/006-801	774-9993/006-802	1



Connecting cable ▶ Socket - free end			
Total length	Connector color / Strain relief color		PU
	black / black	white / white	
1 m	774-9993/106-101	774-9993/106-102	1
2 m	774-9993/106-201	774-9993/106-202	1
3 m	774-9993/106-301	774-9993/106-302	1
4 m	774-9993/106-401	774-9993/106-402	1
5 m	774-9993/106-501	774-9993/106-502	1
6 m	774-9993/106-601	774-9993/106-602	1
7 m	774-9993/106-701	774-9993/106-702	1
8 m	774-9993/106-801	774-9993/106-802	1



Connecting cable ▶ Plug - free end			
Total length	Connector color / Strain relief color		PU
	black / black	white / white	
1 m	774-9993/206-101	774-9993/206-102	1
2 m	774-9993/206-201	774-9993/206-202	1
3 m	774-9993/206-301	774-9993/206-302	1
4 m	774-9993/206-401	774-9993/206-402	1
5 m	774-9993/206-501	774-9993/206-502	1
6 m	774-9993/206-601	774-9993/206-602	1
7 m	774-9993/206-701	774-9993/206-702	1
8 m	774-9993/206-801	774-9993/206-802	1

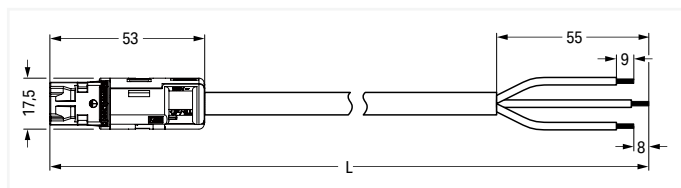
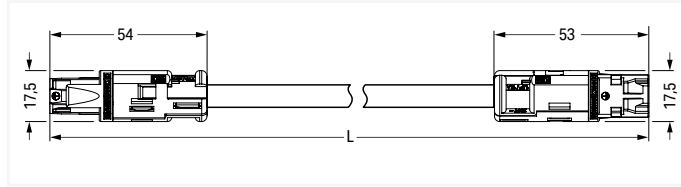
4

PU = packaging unit; SPU = subpackaging unit; Dimensions in mm

Cable assembly ▶ WINSTA® RD ▶ 774 Series

Pole number: 3 ▶ Protection type: IP20 ▶ Fire class per EN 50575: E_{ca} ▶ Coding: A ▶ 1.5 mm² ▶

Marking: L ⊕ N ▶ Halogen-free ▶ H05Z1Z1-F 3G1.5



Interconnecting cable ▶ Socket - Plug

Total length	Connector color / Strain relief color		PU
	black / black	white / white	
1 m	774-9993/016-101	774-9993/016-102	1
2 m	774-9993/016-201	774-9993/016-202	1
3 m	774-9993/016-301	774-9993/016-302	1
4 m	774-9993/016-401	774-9993/016-402	1
5 m	774-9993/016-501	774-9993/016-502	1
6 m	774-9993/016-601	774-9993/016-602	1
7 m	774-9993/016-701	774-9993/016-702	1
8 m	774-9993/016-801	774-9993/016-802	1

Connecting cable ▶ Socket - free end

Total length	Connector color / Strain relief color		PU
	black / black	white / white	
1 m	774-9993/116-101	774-9993/116-102	1
2 m	774-9993/116-201	774-9993/116-202	1
3 m	774-9993/116-301	774-9993/116-302	1
4 m	774-9993/116-401	774-9993/116-402	1
5 m	774-9993/116-501	774-9993/116-502	1
6 m	774-9993/116-601	774-9993/116-602	1
7 m	774-9993/116-701	774-9993/116-702	1
8 m	774-9993/116-801	774-9993/116-802	1

Connecting cable ▶ Plug - free end

Total length	Connector color / Strain relief color		PU
	black / black	white / white	
1 m	774-9993/216-101	774-9993/216-102	1
2 m	774-9993/216-201	774-9993/216-202	1
3 m	774-9993/216-301	774-9993/216-302	1
4 m	774-9993/216-401	774-9993/216-402	1
5 m	774-9993/216-501	774-9993/216-502	1
6 m	774-9993/216-601	774-9993/216-602	1
7 m	774-9993/216-701	774-9993/216-702	1
8 m	774-9993/216-801	774-9993/216-802	1

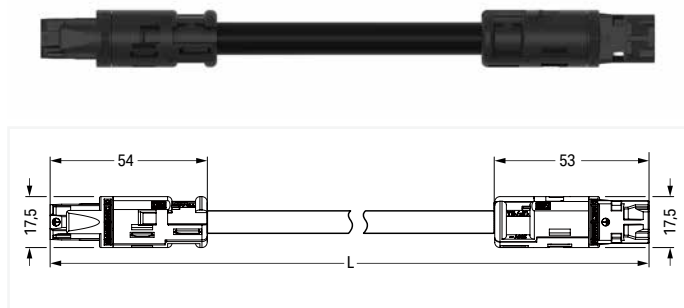
4

PU = packaging unit; SPU = subpackaging unit; Dimensions in mm

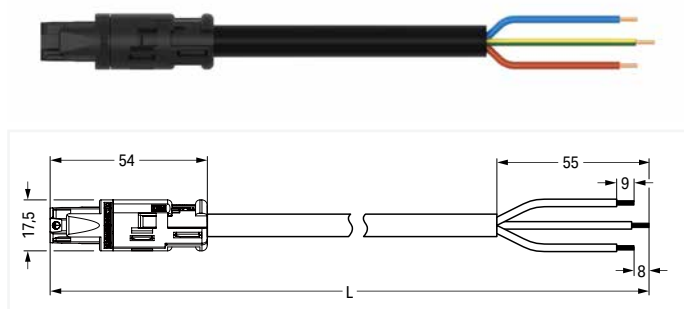
Cable assembly ▶ WINSTA® RD ▶ 774 Series

Pole number: 3 ▶ Protection type: IP20 ▶ Fire class per EN 50575: E_{ca} ▶ Coding: A ▶ 2.5 mm² ▶

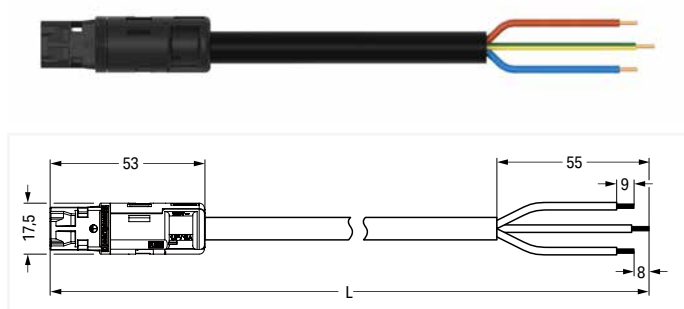
Marking: L ⊕ N ▶ PVC ▶ H05VV-F 3G2.5



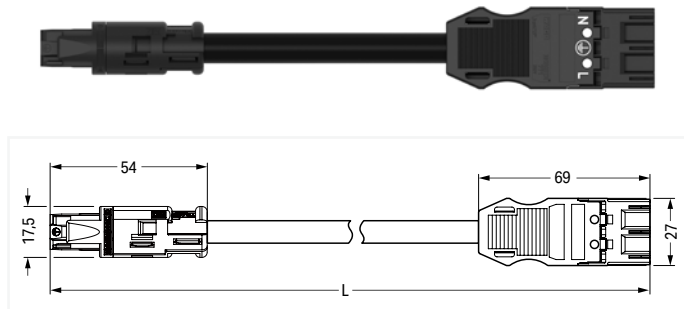
Interconnecting cable ▶ Socket - Plug			
Total length	Connector color / Strain relief color		PU
	black / black	white / white	
1 m	774-9993/007-101	774-9993/007-102	1
2 m	774-9993/007-201	774-9993/007-202	1
3 m	774-9993/007-301	774-9993/007-302	1
4 m	774-9993/007-401	774-9993/007-402	1
5 m	774-9993/007-501	774-9993/007-502	1
6 m	774-9993/007-601	774-9993/007-602	1
7 m	774-9993/007-701	774-9993/007-702	1
8 m	774-9993/007-801	774-9993/007-802	1



Connecting cable ▶ Socket - free end			
Total length	Connector color / Strain relief color		PU
	black / black	white / white	
1 m	774-9993/107-101	774-9993/107-102	1
2 m	774-9993/107-201	774-9993/107-202	1
3 m	774-9993/107-301	774-9993/107-302	1
4 m	774-9993/107-401	774-9993/107-402	1
5 m	774-9993/107-501	774-9993/107-502	1
6 m	774-9993/107-601	774-9993/107-602	1
7 m	774-9993/107-701	774-9993/107-702	1
8 m	774-9993/107-801	774-9993/107-802	1



Connecting cable ▶ Plug - free end			
Total length	Connector color / Strain relief color		PU
	black / black	white / white	
1 m	774-9993/207-101	774-9993/207-102	1
2 m	774-9993/207-201	774-9993/207-202	1
3 m	774-9993/207-301	774-9993/207-302	1
4 m	774-9993/207-401	774-9993/207-402	1
5 m	774-9993/207-501	774-9993/207-502	1
6 m	774-9993/207-601	774-9993/207-602	1
7 m	774-9993/207-701	774-9993/207-702	1
8 m	774-9993/207-801	774-9993/207-802	1



Adapter cable ▶ RD socket - MIDI plug			
Total length	Connector color / Strain relief color		PU
	black / black		
1 m	774-9993/1507-101		1
2 m	774-9993/1507-201		1
3 m	774-9993/1507-301		1
4 m	774-9993/1507-401		1
5 m	774-9993/1507-501		1
6 m	774-9993/1507-601		1
7 m	774-9993/1507-701		1
8 m	774-9993/1507-801		1

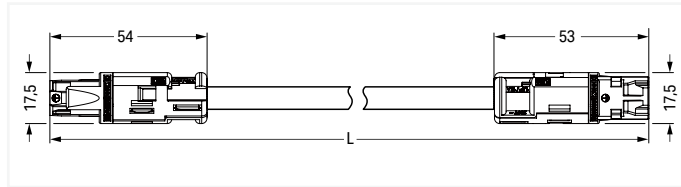
4

PU = packaging unit; SPU = subpackaging unit; Dimensions in mm

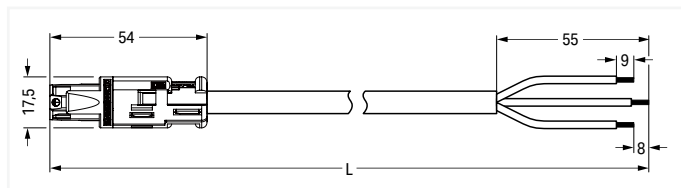
Cable assembly ▶ WINSTA® RD ▶ 774 Series

Pole number: 3 ▶ Protection type: IP20 ▶ Fire class per EN 50575: E_{ca} ▶ Coding: A ▶ 2.5 mm² ▶

Marking: L ⊕ N ▶ Halogen-free ▶ H05Z1Z1-F 3G2.5



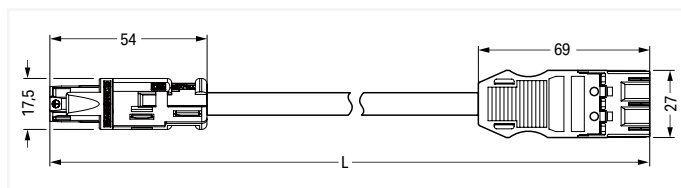
Total length	Connector color / Strain relief color		PU
	black / black	white / white	
1 m	774-9993/017-101	774-9993/017-102	1
2 m	774-9993/017-201	774-9993/017-202	1
3 m	774-9993/017-301	774-9993/017-302	1
4 m	774-9993/017-401	774-9993/017-402	1
5 m	774-9993/017-501	774-9993/017-502	1
6 m	774-9993/017-601	774-9993/017-602	1
7 m	774-9993/017-701	774-9993/017-702	1
8 m	774-9993/017-801	774-9993/017-802	1



Total length	Connector color / Strain relief color		PU
	black / black	white / white	
1 m	774-9993/117-101	774-9993/117-102	1
2 m	774-9993/117-201	774-9993/117-202	1
3 m	774-9993/117-301	774-9993/117-302	1
4 m	774-9993/117-401	774-9993/117-402	1
5 m	774-9993/117-501	774-9993/117-502	1
6 m	774-9993/117-601	774-9993/117-602	1
7 m	774-9993/117-701	774-9993/117-702	1
8 m	774-9993/117-801	774-9993/117-802	1



Total length	Connector color / Strain relief color		PU
	black / black	white / white	
1 m	774-9993/217-101	774-9993/217-102	1
2 m	774-9993/217-201	774-9993/217-202	1
3 m	774-9993/217-301	774-9993/217-302	1
4 m	774-9993/217-401	774-9993/217-402	1
5 m	774-9993/217-501	774-9993/217-502	1
6 m	774-9993/217-601	774-9993/217-602	1
7 m	774-9993/217-701	774-9993/217-702	1
8 m	774-9993/217-801	774-9993/217-802	1



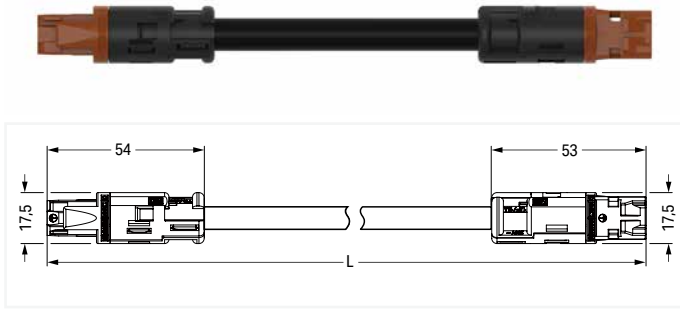
Total length	Connector color / Strain relief color		PU
	black / black	white / white	
1 m	774-9993/1517-101		1
2 m	774-9993/1517-201		1
3 m	774-9993/1517-301		1
4 m	774-9993/1517-401		1
5 m	774-9993/1517-501		1
6 m	774-9993/1517-601		1
7 m	774-9993/1517-701		1
8 m	774-9993/1517-801		1

PU = packaging unit; SPU = subpackaging unit; Dimensions in mm

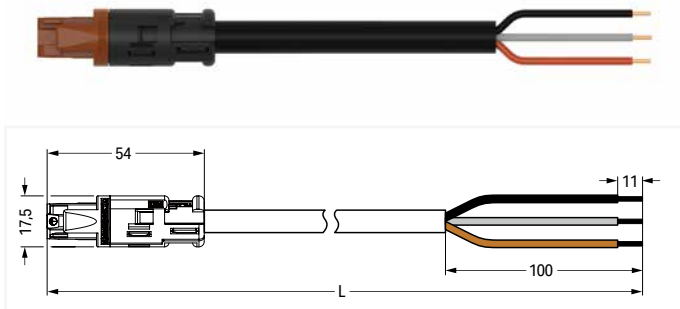
Cable assembly ▶ WINSTA® RD ▶ 774 Series

Pole number: 3 ▶ Protection type: IP20 ▶ Fire class per EN 50575: E_{ca} ▶ Coding: S ▶ 1.5 mm² ▶

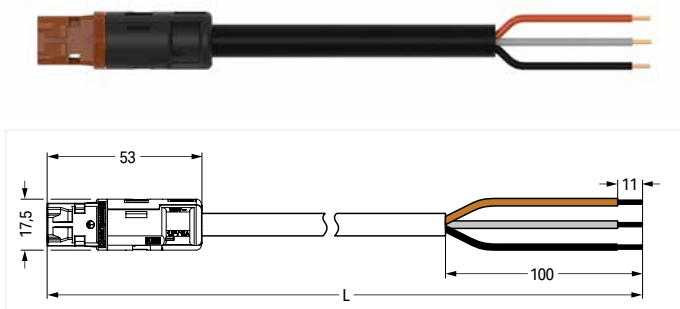
Marking: 1 2 L ▶ PVC ▶ H05VV-F 3x1.5



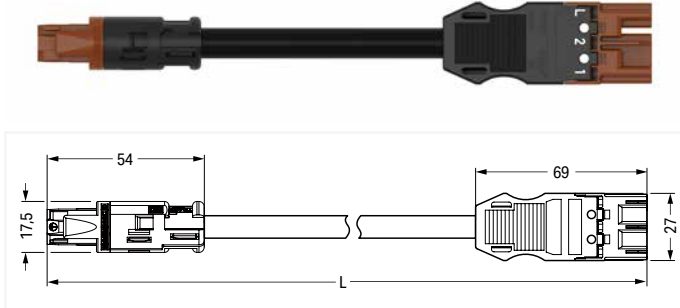
Interconnecting cable ▶ Socket - Plug				
Total length	Connector color / Strain relief color			PU
	brown / black			
1 m	774-9973/006-105			1
2 m	774-9973/006-205			1
3 m	774-9973/006-305			1
4 m	774-9973/006-405			1
5 m	774-9973/006-505			1
6 m	774-9973/006-605			1
7 m	774-9973/006-705			1
8 m	774-9973/006-805			1



Connecting cable ▶ Socket - free end				
Total length	Connector color / Strain relief color			PU
	brown / black			
1 m	774-9973/106-105			1
2 m	774-9973/106-205			1
3 m	774-9973/106-305			1
4 m	774-9973/106-405			1
5 m	774-9973/106-505			1
6 m	774-9973/106-605			1
7 m	774-9973/106-705			1
8 m	774-9973/106-805			1



Connecting cable ▶ Plug - free end				
Total length	Connector color / Strain relief color			PU
	brown / black			
1 m	774-9973/206-105			1
2 m	774-9973/206-205			1
3 m	774-9973/206-305			1
4 m	774-9973/206-405			1
5 m	774-9973/206-505			1
6 m	774-9973/206-605			1
7 m	774-9973/206-705			1
8 m	774-9973/206-805			1



Adapter cable ▶ RD socket - MIDI plug				
Total length	Connector color / Strain relief color			PU
	brown / black			
1 m	774-9973/1506-105			1
2 m	774-9973/1506-205			1
3 m	774-9973/1506-305			1
4 m	774-9973/1506-405			1
5 m	774-9973/1506-505			1
6 m	774-9973/1506-605			1
7 m	774-9973/1506-705			1
8 m	774-9973/1506-805			1

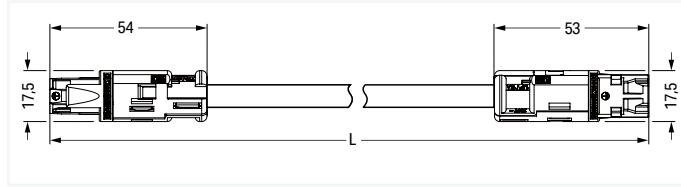
4

PU = packaging unit; SPU = subpackaging unit; Dimensions in mm

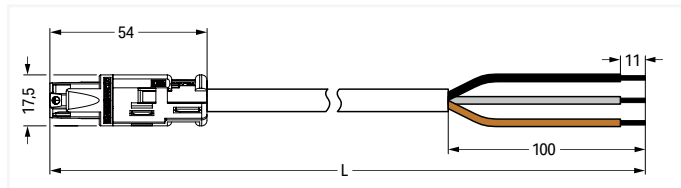
Cable assembly ▶ WINSTA® RD ▶ 774 Series

Pole number: 3 ▶ Protection type: IP20 ▶ Fire class per EN 50575: E_{ca} ▶ Coding: S ▶ 1.5 mm² ▶

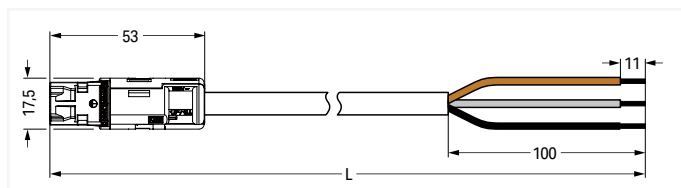
Marking: 1 2 L ▶ Halogen-free ▶ H05Z1Z1-F 3x1.5



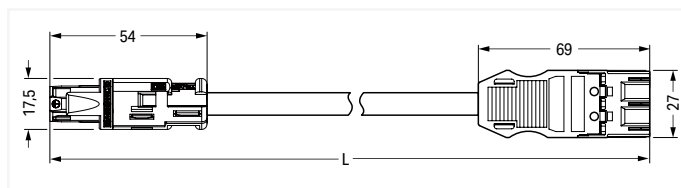
Interconnecting cable ▶ Socket - Plug				
Total length	Connector color / Strain relief color			PU
	brown / black			
1 m	774-9973/016-105			1
2 m	774-9973/016-205			1
3 m	774-9973/016-305			1
4 m	774-9973/016-405			1
5 m	774-9973/016-505			1
6 m	774-9973/016-605			1
7 m	774-9973/016-705			1
8 m	774-9973/016-805			1



Connecting cable ▶ Socket - free end				
Total length	Connector color / Strain relief color			PU
	brown / black			
1 m	774-9973/116-105			1
2 m	774-9973/116-205			1
3 m	774-9973/116-305			1
4 m	774-9973/116-405			1
5 m	774-9973/116-505			1
6 m	774-9973/116-605			1
7 m	774-9973/116-705			1
8 m	774-9973/116-805			1



Connecting cable ▶ Plug - free end				
Total length	Connector color / Strain relief color			PU
	brown / black			
1 m	774-9973/216-105			1
2 m	774-9973/216-205			1
3 m	774-9973/216-305			1
4 m	774-9973/216-405			1
5 m	774-9973/216-505			1
6 m	774-9973/216-605			1
7 m	774-9973/216-705			1
8 m	774-9973/216-805			1



Adapter cable ▶ RD socket - MIDI plug				
Total length	Connector color / Strain relief color			PU
	brown / black			
1 m	774-9973/1516-105			1
2 m	774-9973/1516-205			1
3 m	774-9973/1516-305			1
4 m	774-9973/1516-405			1
5 m	774-9973/1516-505			1
6 m	774-9973/1516-605			1
7 m	774-9973/1516-705			1
8 m	774-9973/1516-805			1

PU = packaging unit; SPU = subpackaging unit; Dimensions in mm

4

Cable assembly ▶ WINSTA® RD ▶ 774 SeriesPole number: 4 ▶ Protection type: IP20 ▶ Coding: A ▶ Fire class per EN 50575: E_{ca} ▶ 1.5 mm² ▶

Marking: N ⊕ 2 1



- For round conduits and ducts
- 3- and 4-pole pre-assembled cables with 17.5 mm (0.689 inch) outer diameter for easy plug & play
- Plug-in integration into the electrical installations of hollow-wall boxes via adapter, for example

Electrical data			
Coding	A		
Ratings per	IEC/EN 60664-1		
Overvoltage category	III	III	II
Pollution degree	3	2	2
Nominal voltage	250 V	-	-
Rated surge voltage	4 kV	-	-
Rated current	16 A	-	-
Material data			
Insulation material (main housing)	Polyamide (PA66)		
Contact material	Copper or copper alloy; surface-treated		
Contact Plating	Tin		
Fire class per EN 50575	E _{ca}		
Mechanical data			
Number of mating cycles	200, without resistive load		
Mating force of a plug-in connection	Approx. 30 ... 70 N (depending on pole number)		
Unmating force of a plug-in connection	Unlocked: approx. 30 ... 70 N (depending on pole number)		
Retention force of a plug-in connection	when locked: > 80N		
Protection type	IP20		
Note on protection type	When mated: IP2xC (These compact connectors are not designed for use in open, easily accessible areas!)		
Environmental requirements			
Processing temperature	-5 ... +40 °C		
Continuous operating temperature	-35 ... +85 °C		
Note on continuous operating temperature	Cable for temperatures ≤ 70 °C (including halogen-free) Insulating parts for temperatures ≤ 105 °C		

Note:

Cables with a different fire class can be found in the eShop.

All WINSTA® components are 100% protected against mismatching when:

- plugging different numbers of poles
- plugging while incorrectly rotated
- plugging while laterally staggered

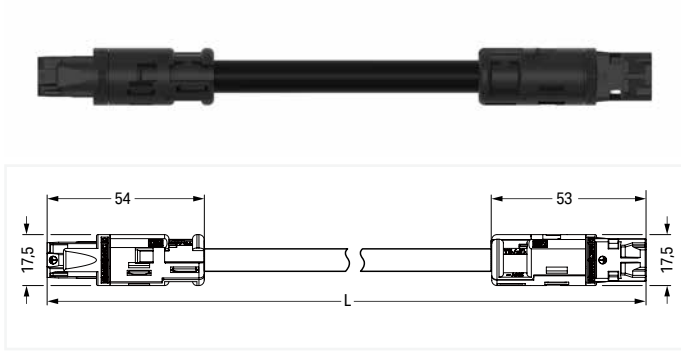
See technical section for further information

Approvals and corresponding ratings, visit www.wago.com

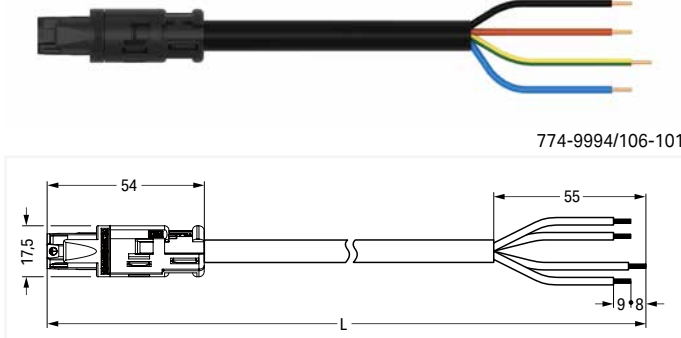
Cable assembly ▶ WINSTA® RD ▶ 774 Series

Pole number: 4 ▶ Protection type: IP20 ▶ Coding: A ▶ Fire class per EN 50575: E_{ca} ▶ 1.5 mm² ▶

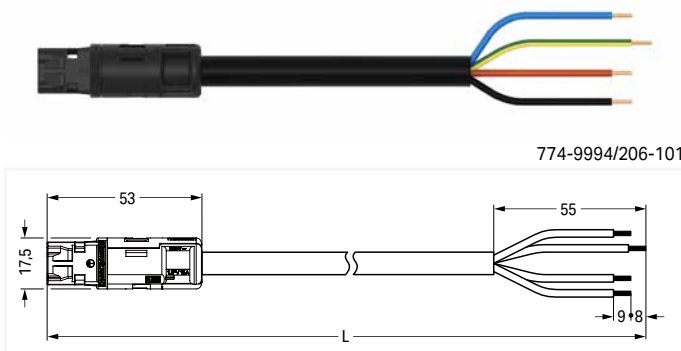
Marking: N ⊕ 2 1 ▶ PVC ▶ H05VV-F 4G1.5



Interconnecting cable ▶ Socket - Plug			
Total length	Connector color / Strain relief color		PU
	black / black	white / white	
1 m	774-9994/006-101	774-9994/006-102	1
2 m	774-9994/006-201	774-9994/006-202	1
3 m	774-9994/006-301	774-9994/006-302	1
4 m	774-9994/006-401	774-9994/006-402	1
5 m	774-9994/006-501	774-9994/006-502	1
6 m	774-9994/006-601	774-9994/006-602	1
7 m	774-9994/006-701	774-9994/006-702	1
8 m	774-9994/006-801	774-9994/006-802	1



Connecting cable ▶ Socket - free end			
Total length	Connector color / Strain relief color		PU
	black / black	white / white	
1 m	774-9994/106-101	774-9994/106-102	1
2 m	774-9994/106-201	774-9994/106-202	1
3 m	774-9994/106-301	774-9994/106-302	1
4 m	774-9994/106-401	774-9994/106-402	1
5 m	774-9994/106-501	774-9994/106-502	1
6 m	774-9994/106-601	774-9994/106-602	1
7 m	774-9994/106-701	774-9994/106-702	1
8 m	774-9994/106-801	774-9994/106-802	1



Connecting cable ▶ Plug - free end			
Total length	Connector color / Strain relief color		PU
	black / black	white / white	
1 m	774-9994/206-101	774-9994/206-102	1
2 m	774-9994/206-201	774-9994/206-202	1
3 m	774-9994/206-301	774-9994/206-302	1
4 m	774-9994/206-401	774-9994/206-402	1
5 m	774-9994/206-501	774-9994/206-502	1
6 m	774-9994/206-601	774-9994/206-602	1
7 m	774-9994/206-701	774-9994/206-702	1
8 m	774-9994/206-801	774-9994/206-802	1

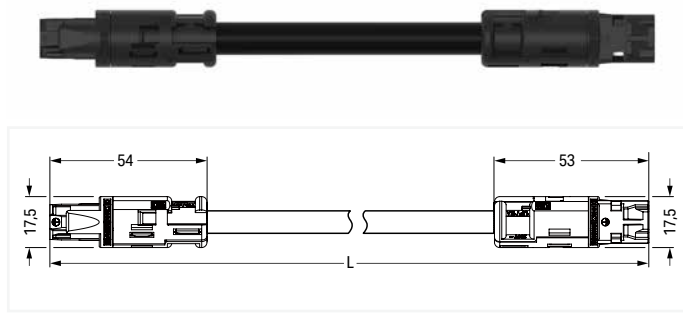
4

PU = packaging unit; SPU = subpackaging unit; Dimensions in mm

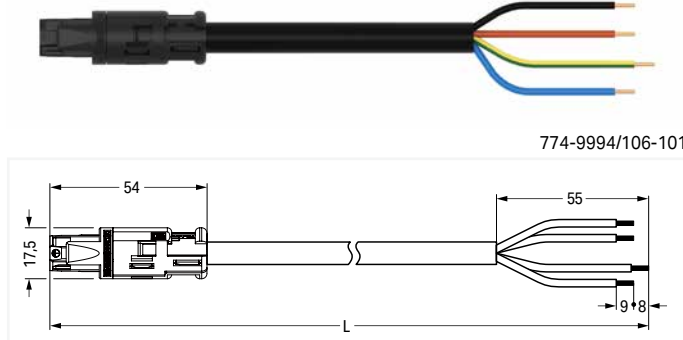
Cable assembly ▶ WINSTA® RD ▶ 774 Series

Pole number: 4 ▶ Protection type: IP20 ▶ Coding: A ▶ Fire class per EN 50575: E_{ca} ▶ 1.5 mm² ▶

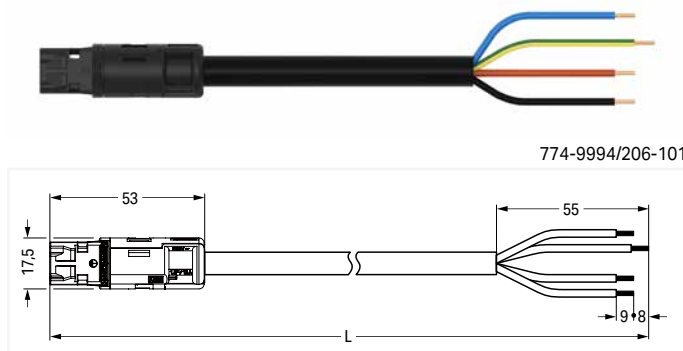
Marking: N ⊕ 2 1 ▶ Halogen-free ▶ H05Z1Z1-F 4G1.5



Interconnecting cable ▶ Socket - Plug			
Total length	Connector color / Strain relief color		PU
	black / black	white / white	
1 m	774-9994/016-101	774-9994/016-102	1
2 m	774-9994/016-201	774-9994/016-202	1
3 m	774-9994/016-301	774-9994/016-302	1
4 m	774-9994/016-401	774-9994/016-402	1
5 m	774-9994/016-501	774-9994/016-502	1
6 m	774-9994/016-601	774-9994/016-602	1
7 m	774-9994/016-701	774-9994/016-702	1
8 m	774-9994/016-801	774-9994/016-802	1



Connecting cable ▶ Socket - free end			
Total length	Connector color / Strain relief color		PU
	black / black	white / white	
1 m	774-9994/116-101	774-9994/116-102	1
2 m	774-9994/116-201	774-9994/116-202	1
3 m	774-9994/116-301	774-9994/116-302	1
4 m	774-9994/116-401	774-9994/116-402	1
5 m	774-9994/116-501	774-9994/116-502	1
6 m	774-9994/116-601	774-9994/116-602	1
7 m	774-9994/116-701	774-9994/116-702	1
8 m	774-9994/116-801	774-9994/116-802	1



Connecting cable ▶ Plug - free end			
Total length	Connector color / Strain relief color		PU
	black / black	white / white	
1 m	774-9994/216-101	774-9994/216-102	1
2 m	774-9994/216-201	774-9994/216-202	1
3 m	774-9994/216-301	774-9994/216-302	1
4 m	774-9994/216-401	774-9994/216-402	1
5 m	774-9994/216-501	774-9994/216-502	1
6 m	774-9994/216-601	774-9994/216-602	1
7 m	774-9994/216-701	774-9994/216-702	1
8 m	774-9994/216-801	774-9994/216-802	1

PU = packaging unit; SPU = subpackaging unit; Dimensions in mm





WAGO Pluggable Connection System *WINSTA*® KNX

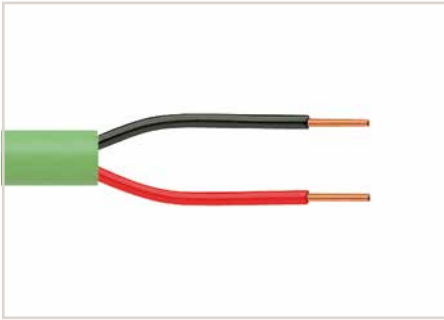
WAGO Pluggable Connection System WINSTA® KNX ▶ 893, 894 Series

Ø 0.8 mm / 3 A

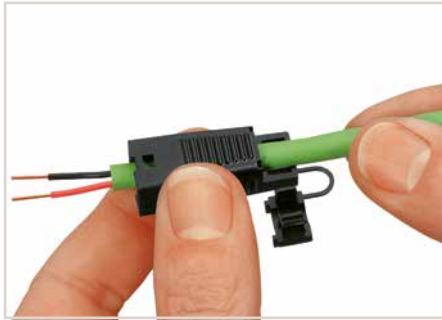
- Note:
- Installation connectors are designed for connection and disconnection while not under load.
 - There is no hazard-inducing interchangeability with systems based on IEC 60309, IEC 60320, IEC 60906 and with national connector and socket systems.
 - Installation connector systems are not a substitute for residential connector/socket systems.
 - WINSTA® KNX Connectors are not intended for installation in open or easily accessible areas.

	Page
	298
	300
	302
	304

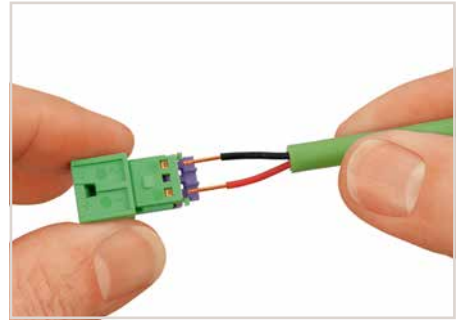
WINSTA® KNX ▶ 893, 894 Series Description and Installation



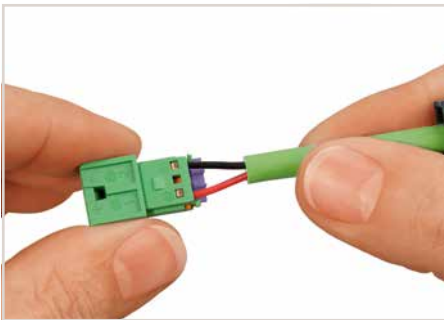
1. Strip length, outer insulation = 23 mm
2. Strip length = 9 mm



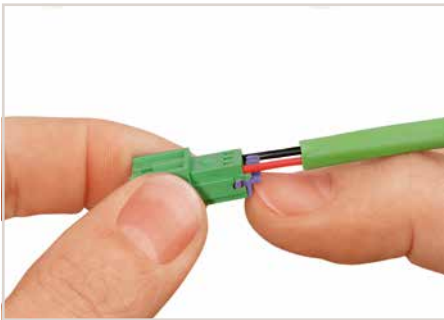
Prior to termination, pull the strain relief housing over the cable.



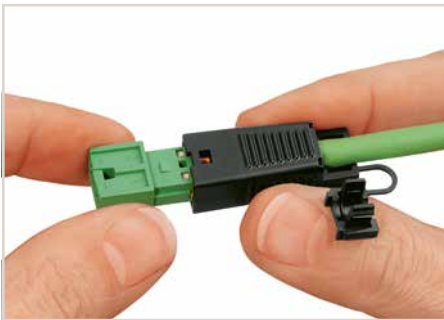
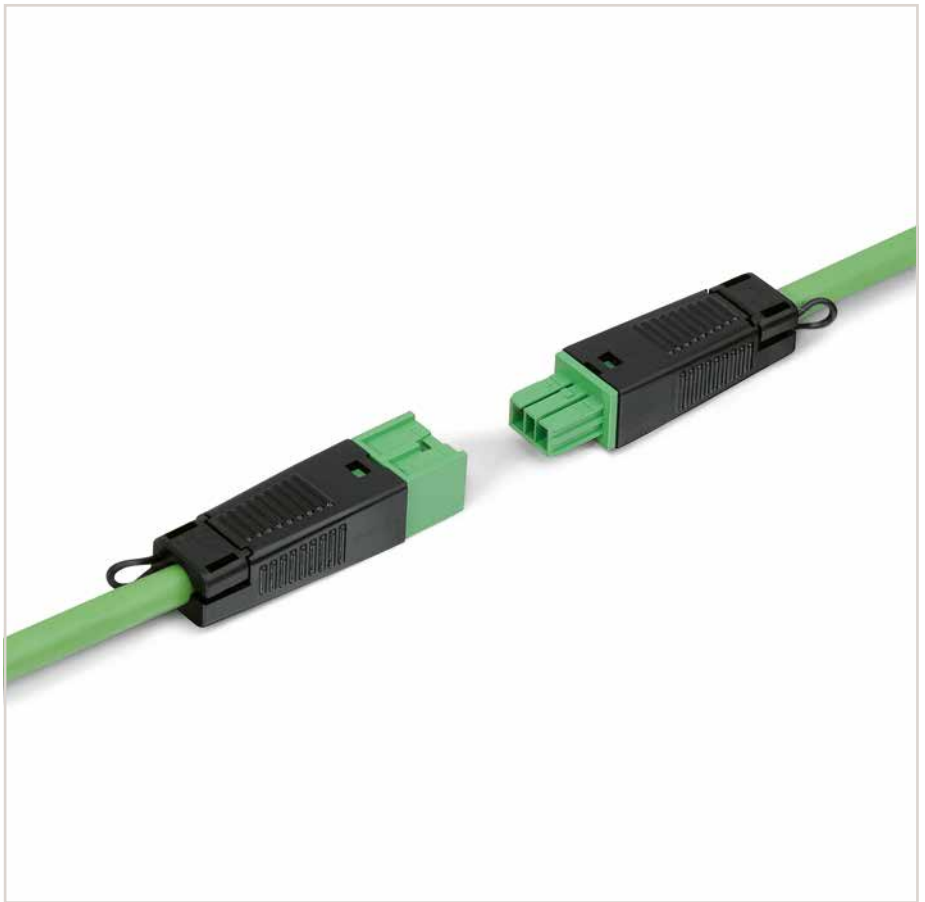
Insert stripped conductors directly into the conductor entries.



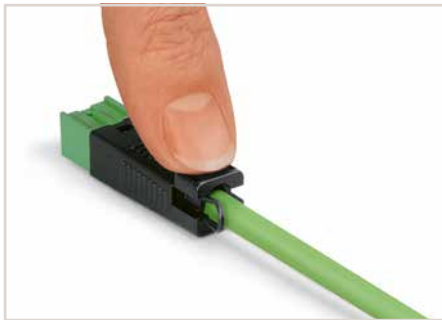
Push conductors until they hit backstop.



To disconnect, open clamping unit using the actuator and pull out the conductor.



Snap wired connector into the strain relief housing.



Press strain relief firmly on the cable.



Pre-assembled KNX connector

5

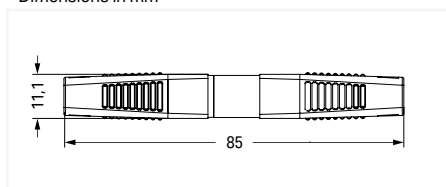
Pluggable connectors ▶ WINSTA® KNX ▶ 893 Series

Pole number: 2



- For low voltages up to 50 V
- Compact size, standardized interface
- Available in two different custom coding options with protection against mismatching

Dimensions in mm



Overall length when mated

Electrical data

Coding	E; F		
Ratings per	IEC/EN 60664-1		
Overvoltage category	III	III	II
Pollution degree	3	2	2
Nominal voltage	50 V	-	-
Rated surge voltage	0.8 kV	-	-
Rated current	3 A	-	-

Connection data

Connection technology	PUSH WIRE®
Strip length	9 mm / 0.35 inches
Conductor diameter	0.8 mm

Material data

Insulation material (main housing)	Polyamide (PA66)
Flammability class per UL94	V0
Clamping spring material	Chrome-nickel spring steel (CrNi)
Contact material	Copper alloy; surface-treated
Contact Plating	Tin

Mechanical data

Number of mating cycles	200, without resistive load
Mating force of a plug-in connection	Approx. 10 ... 15 N
Unmating force of a plug-in connection	Unlocked: approx. 15 ... 20 N
Retention force of a plug-in connection	Locked: > 80 N
Protection type	IP20
Note on protection type	Only when mated and secured with a strain relief housing (These compact connectors are not designed for use in open, easily accessible areas.)

Environmental requirements

Processing temperature	-5 ... +40 °C
Continuous operating temperature	-35 ... +85 °C
Note on continuous operating temperature	Insulating parts for temperatures ≤ 105 °C

Note:

All WINSTA® components are 100% protected against mismatching when:

- plugging different numbers of poles
- plugging while rotated 180
- plugging while laterally staggered
- plugging one pole

See technical section for further information

Approvals and corresponding ratings, visit www.wago.com

Pluggable connectors ▶ WINSTA® KNX ▶ 893 Series

Pole number: 2

Female connector/socket



Male connector/plug



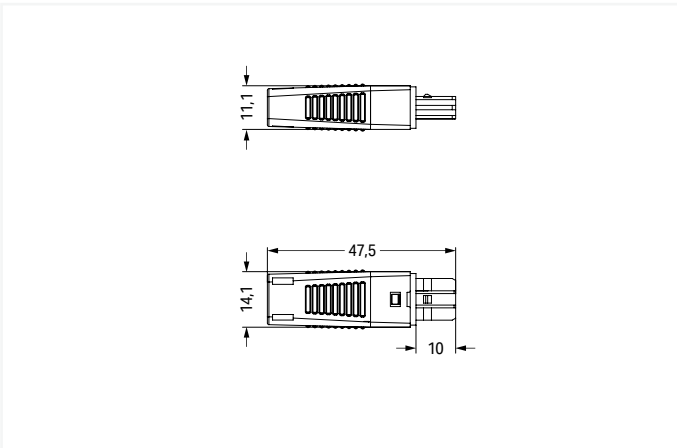
893-1002

Coding: E

Color	Coding	Marking	Item No.	PU
● green	E	1+ 2-	893-1002	50

Coding: F

Color	Coding	Marking	Item No.	PU
○ light gray	F	1+ 2-	893-1022	50



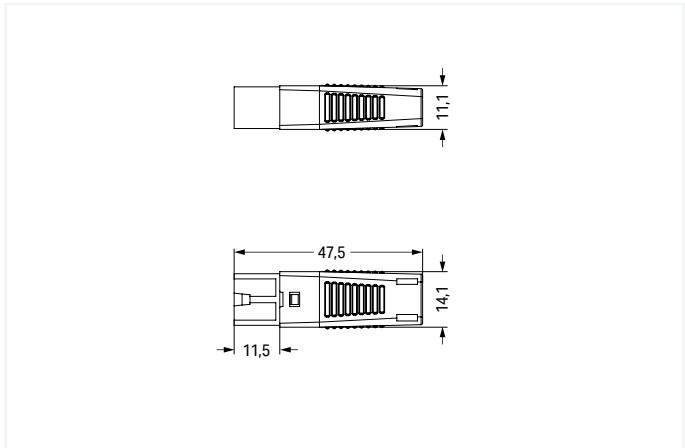
893-1012

Coding: E

Color	Coding	Marking	Item No.	PU
● green	E	1+ 2-	893-1012	50

Coding: F

Color	Coding	Marking	Item No.	PU
○ light gray	F	1+ 2-	893-1032	50



5

PU = packaging unit; SPU = subpackaging unit; Dimensions in mm

Snap-in device connector ▶ WINSTA® KNX ▶ 893 Series

Pole number: 2



- For low voltages up to 50 V
- Compact size, standardized interface
- Available in two different custom coding options with protection against mismatching

Electrical data			
Coding	E, F		
Ratings per	IEC/EN 60664-1		
Overvoltage category	III	III	II
Pollution degree	3	2	2
Nominal voltage	50 V	-	-
Rated surge voltage	0.8 kV	-	-
Rated current	3 A	-	-
Connection data			
Connection technology	PUSH WIRE®		
Strip length	9 mm / 0.35 inches		
Conductor diameter	0.8 mm		
Material data			
Insulation material (main housing)	Polyamide (PA66)		
Flammability class per UL94	V0		
Clamping spring material	Chrome-nickel spring steel (CrNi)		
Contact material	Copper alloy; surface-treated		
Contact Plating	Tin		
Mechanical data			
Number of mating cycles	200		
Mating force of a plug-in connection	Approx. 10 ... 15 N		
Unmating force of a plug-in connection	Unlocked: approx. 15 ... 20 N		
Retention force of a plug-in connection	Locked: > 80 N		
Protection type	IP20		
Note on protection type	Only when mated and secured with a strain relief housing (These compact connectors are not designed for use in open, easily accessible areas.)		
Environmental requirements			
Processing temperature	-5 ... +40 °C		
Continuous operating temperature	-35 ... +85 °C		
Note on continuous operating temperature	Insulating parts for temperatures ≤ 105 °C		

Note:

The snap-in connectors must be relieved of tensile and transverse forces.

A surface finish can influence the edge radius of the cutouts. This may affect the snap-in socket fit, so ensure an adequate fit before use. In addition, the punched edge should be on the inside for punched cutouts.

The wings of the snap-in connectors must not be mechanically stressed for a long period before use (e.g., due to a pre-locking position).

All WINSTA® components are 100% protected against mismatching when:

- plugging different numbers of poles
- plugging while rotated 180
- plugging while laterally staggered
- plugging one pole

See technical section for further information

Approvals and corresponding ratings, visit www.wago.com

Snap-in device connector ▶ WINSTA® KNX ▶ 893 Series

Pole number: 2

Female connector/socket



Male connector/plug

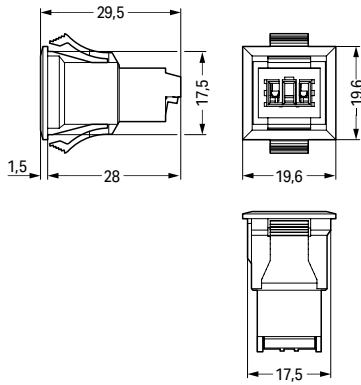


Coding: E

Color	Coding	Marking	Item No.	PU
● green	E	1+ 2-	893-2002	50

Coding: F

Color	Coding	Marking	Item No.	PU
○ light gray	F	1+ 2-	893-2022	50

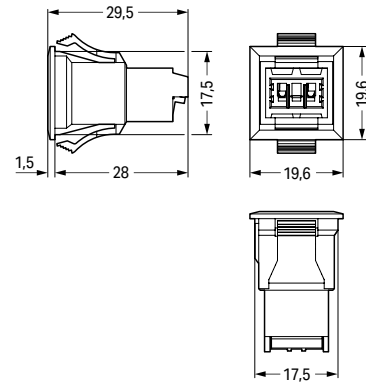


Coding: E

Color	Coding	Marking	Item No.	PU
● green	E	1+ 2-	893-2012	50

Coding: F

Color	Coding	Marking	Item No.	PU
○ light gray	F	1+ 2-	893-2032	50



5

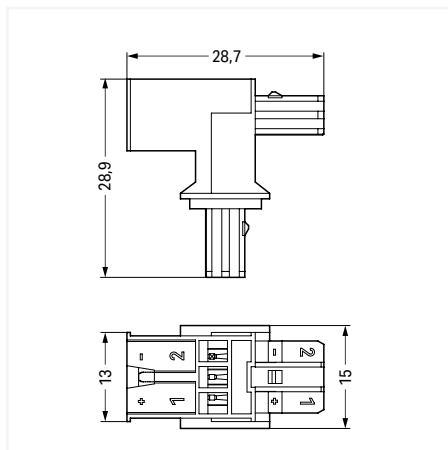
PU = packaging unit; SPU = subpackaging unit; Dimensions in mm

Distribution connector ▶ WINSTA® KNX ▶ 893 Series

Pole number: 2 ▶ T-distribution connector ▶ Number of locking levers: 2



- For low voltages up to 50 V
- Compact size, standardized interface
- Available in two different custom coding options with protection against mismatching



Electrical data			
Coding	E; F		
Ratings per	IEC/EN 60664-1		
Overvoltage category	III	III	II
Pollution degree	3	2	2
Nominal voltage	50 V	-	-
Rated surge voltage	0.8 kV	-	-
Rated current	3 A	-	-
Material data			
Insulation material (main housing)	Polyamide (PA66)		
Flammability class per UL94	V0		
Contact material	Copper alloy; surface-treated		
Contact Plating	Tin		
Mechanical data			
Number of mating cycles	200		
Mating force of a plug-in connection	Approx. 10 ... 15 N		
Unmating force of a plug-in connection	Unlocked: approx. 15 ... 20 N		
Retention force of a plug-in connection	When locked: > 80 N		
Protection type	IP20		
Note on protection type	Only when mated and secured with a strain relief housing (These compact connectors are not designed for use in open, easily accessible areas.)		
Number of inputs	1		
Number of outputs	2		
Environmental requirements			
Processing temperature	-5 ... +40 °C		
Continuous operating temperature	-35 ... +85 °C		
Note on continuous operating temperature	Insulating parts for temperatures ≤ 105 °C		

Note:

All WINSTA® components are 100% protected against mismatching when:

- plugging different numbers of poles
- plugging while rotated 180
- plugging while laterally staggered
- plugging one pole

All connectors for mounted installations (snap-in versions for lighting fixtures or devices, all types of PCB and distribution connectors) are factory-equipped with locking levers to ensure plugs and sockets are securely locked. Additional locking levers are only required for flying leads (plug/socket).

See technical section for further information

Approvals and corresponding ratings, visit www.wago.com

Distribution connector ▶ WINSTA® KNX ▶ 893 Series

Pole number: 2 ▶ T-distribution connector ▶ Number of locking levers: 2



893-1606



893-1656

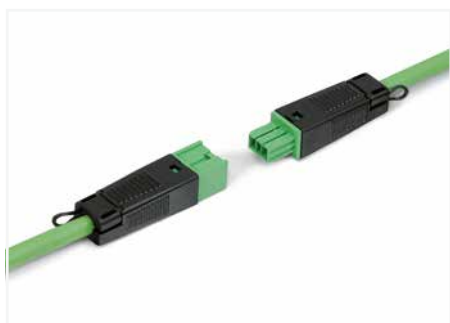
Color	Coding	Marking	Item No.	PU
● green	E	1+ 2-	893-1606	25

Color	Coding	Marking	Item No.	PU
○ light gray	F	1+ 2-	893-1656	25

PU = packaging unit; SPU = subpackaging unit; Dimensions in mm

Cable assembly ▶ WINSTA® KNX ▶ 894 Series

Pole number: 2 ▶ Coding: E ▶ Marking: 1+ 2- ▶ PVC ▶ UNITRONIC BUS EIB 2x2x0.8 ▶ Fire class per EN 50575: E_{ca}



- For low voltages up to 50 V
- Compact size, standardized interface
- Available in two different custom coding options with protection against mismatching

Electrical data			
Coding	E		
Ratings per	IEC/EN 60664-1		
Overvoltage category	III	III	II
Pollution degree	3	2	2
Nominal voltage	50 V	-	-
Rated surge voltage	0.8 kV	-	-
Rated current	3 A	-	-
Connection data			
Conductor diameter	0.8 mm		
Material data			
Insulation material (main housing)	Polyamide (PA66)		
Contact material	Copper alloy; surface-treated		
Contact Plating	Tin		
Fire class per EN 50575	E _{ca}		
Mechanical data			
Number of mating cycles	200		
Mating force of a plug-in connection	Approx. 10 ... 15 N		
Unmating force of a plug-in connection	Unlocked: approx. 15 ... 20 N		
Retention force of a plug-in connection	when locked: > 80N		
Protection type	IP20		
Note on protection type	Only when mated and secured with a strain relief housing (These compact connectors are not designed for use in open, easily accessible areas.)		
Environmental requirements			
Processing temperature	-5 ... +40 °C		
Continuous operating temperature	-35 ... +85 °C		
Note on continuous operating temperature	Cable for temperatures ≤ 70 °C (including halogen-free) Insulating parts for temperatures ≤ 105 °C		

Note:

Cables with a different fire class can be found in the eS-hop.

All WINSTA® components are 100% protected against mismatching when:

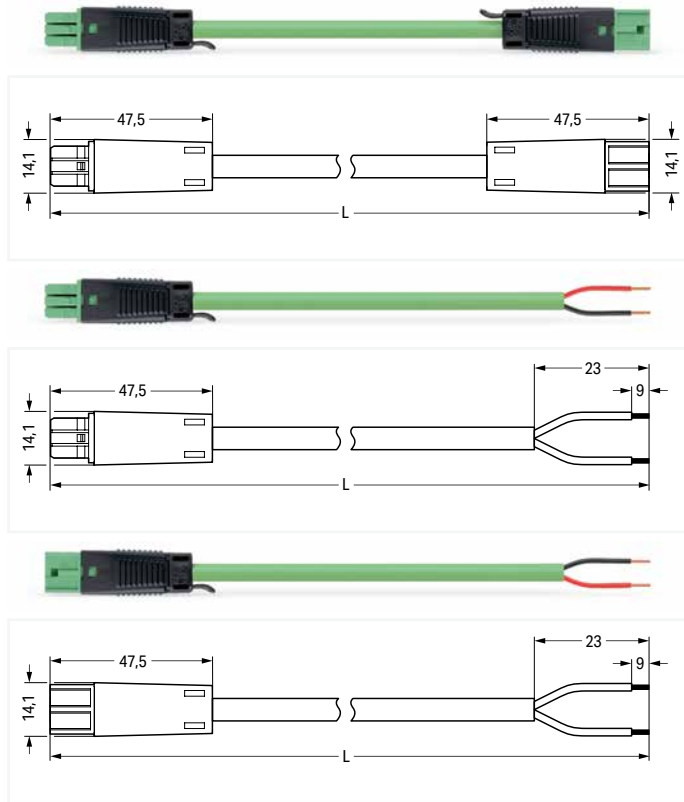
- plugging different numbers of poles
- plugging while rotated 180
- plugging while laterally staggered
- plugging one pole

See technical section for further information

Approvals and corresponding ratings, visit www.wago.com

Cable assembly ▶ WINSTA® KNX ▶ 894 Series

Pole number: 2 ▶ Coding: E ▶ Marking: 1+ 2- ▶ PVC ▶ UNITRONIC BUS EIB 2x2x0.8 ▶ Fire class per EN 50575: E_{ca}

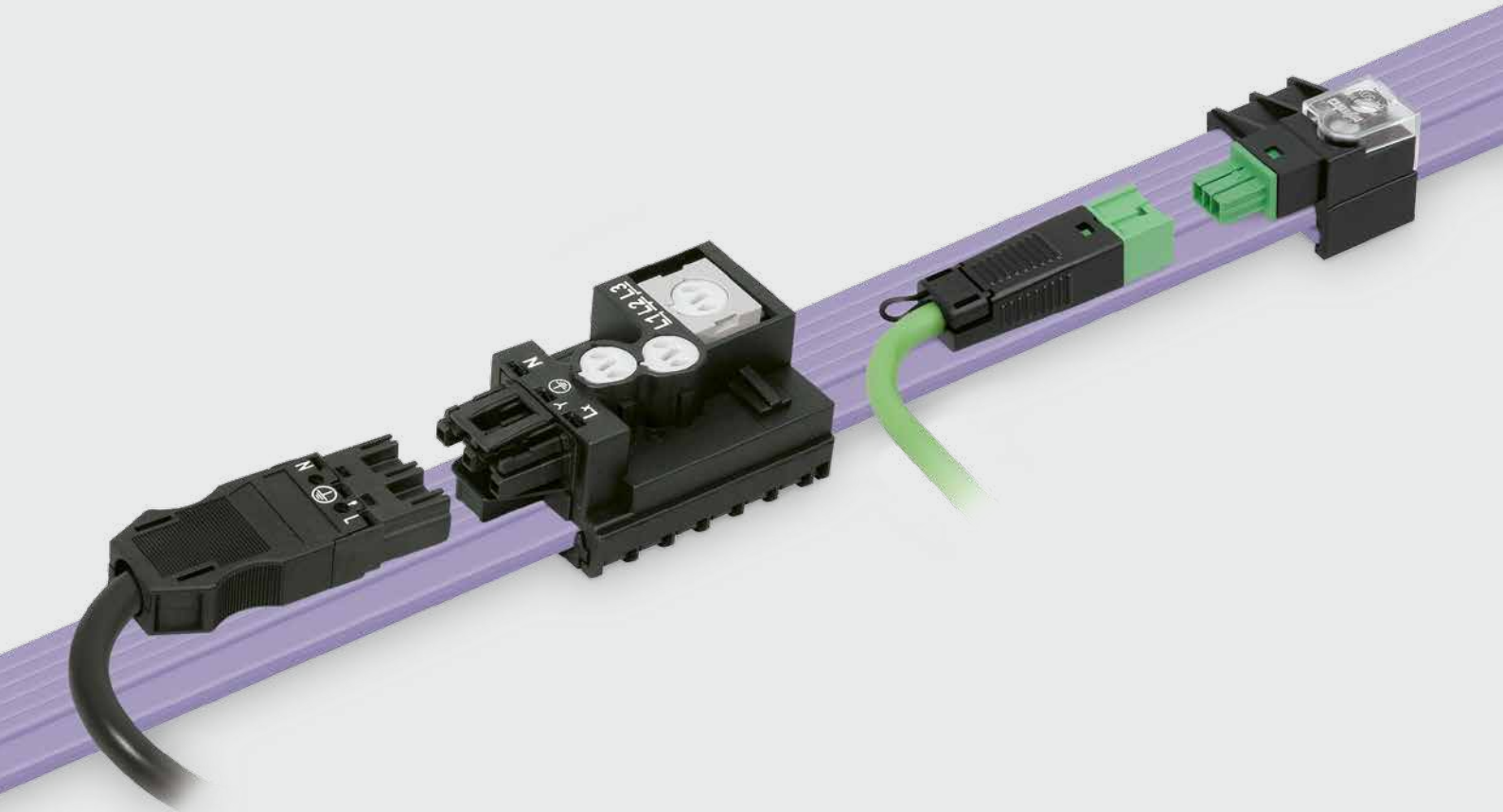


Interconnecting cable ▶ Connection type Socket - Plug				
Total length	Connector color / Strain relief color			PU
	green / black			
1 m	894-8992/033-106			1
3 m	894-8992/033-306			1
5 m	894-8992/033-506			1

Connecting cable ▶ Connection type Socket - free end				
Total length	Connector color / Strain relief color			PU
	green / black			
1 m	894-8992/133-106			1
3 m	894-8992/133-306			1
5 m	894-8992/133-506			1

Connecting cable ▶ Connection type Plug - free end				
Total length	Connector color / Strain relief color			PU
	green / black			
1 m	894-8992/233-106			1
3 m	894-8992/233-306			1
5 m	894-8992/233-506			1

PU = packaging unit; SPU = subpackaging unit; Dimensions in mm



WAGO Pluggable Connection System

WINSTA® IDC

Important note:

The *WINSTA*® IDC system consists of the flat cables and the appropriate *WINSTA*® connection components that are described in this catalog and marked with "Woertz."

WAGO warrants the fault-free function of the *WINSTA*® IDC system only where original components are utilized.

Notice:

Only use identically coded supply and tap-off modules on the same cable!

- A- and P-coding (N ⊕ L1 L2 L3) are designed for a 400 V three-phase current cable configuration.
- I-coding (N ⊕ L DA- DA+) is designed for up to 230 V and dimming cable configurations.
- B-coding (N ⊕ L1 L2 L3) is designed for custom cable configurations.

Only modules with the same pole marking shall be used within an application.

WAGO Pluggable Connection System WINSTA® IDC ▶ 772, 893, 895, 896 Series for Flat Cables up to 16 mm²

- Note:
- Installation connectors are designed for connection and disconnection while not under load.
 - There is no hazard-inducing interchangeability with systems based on IEC 60309, IEC 60320, IEC 60906 and with national connector and socket systems.
 - Installation connector systems are not a substitute for residential connector/socket systems.
 - WINSTA® IDC Connectors are not intended for installation in open or easily accessible areas.

	Page
	IDC Modules for Flat Cables 5 x 2.5 mm ² / 5 x 4 mm ² / 5 x 2.5 mm ² + 2 x 1.5 mm ² ; 772 Series Supply Modules 311 Tap-Off Modules, WINSTA® Connectors 312
	IDC Modules for Flat Cables 5 x 2.5 mm ² + 2 x 1.5 mm ² ; 893 Series Supply Modules (KNX and Special Coding) 315 Tap-Off Modules (KNX and Special Coding) 316
	IDC Modules for Flat Cables 2 x 1.5 mm ² ; 893 Series Supply Modules (KNX and Special Coding) 319 Tap-Off Modules (KNX and Special Coding) 320
	IDC Modules for Flat Cables 3 x 2.5 mm ² ; 896 Series Supply Modules 323 Tap-Off Modules 324
	POWERBLOCK 10 for Flat Cable 5 x 10 mm ² ; 895 Series Supply Modules 327 Tap-Off Modules 328
	POWERBLOCK 16 for Flat Cable 5 x 16 mm ² ; 895 Series Supply Modules 331 Tap-Off Modules 332

WINSTA® IDC ▶ 772 Series Installation



Insert flat cable into base (observe coding!).



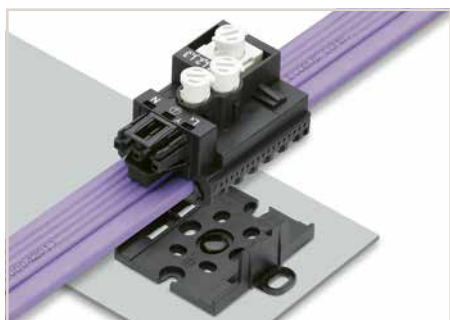
Mount IDC module flush with the base.
Should the IDC module jam during mounting, turn the upper part by 180° and remount it.



Screw down contact elements until element stops.



The mounting plate can be centrally mounted, or attached via outboard attachment points using 770-601 Mounting Pins.



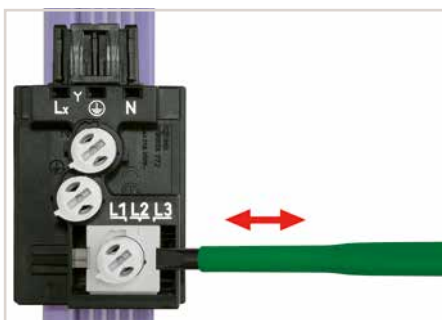
Snapping a supply or tap-off module onto a mounting plate.



6



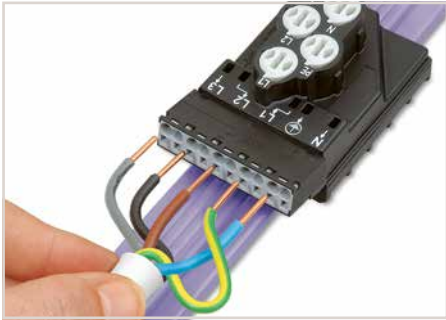
The phase selector is in position L2 (center) when delivered.



Move the phase selector into position L1 or L3 if required.



After connecting the flat cable, the IDC module is locked and can no longer be moved, even after unscrewing the contact element.



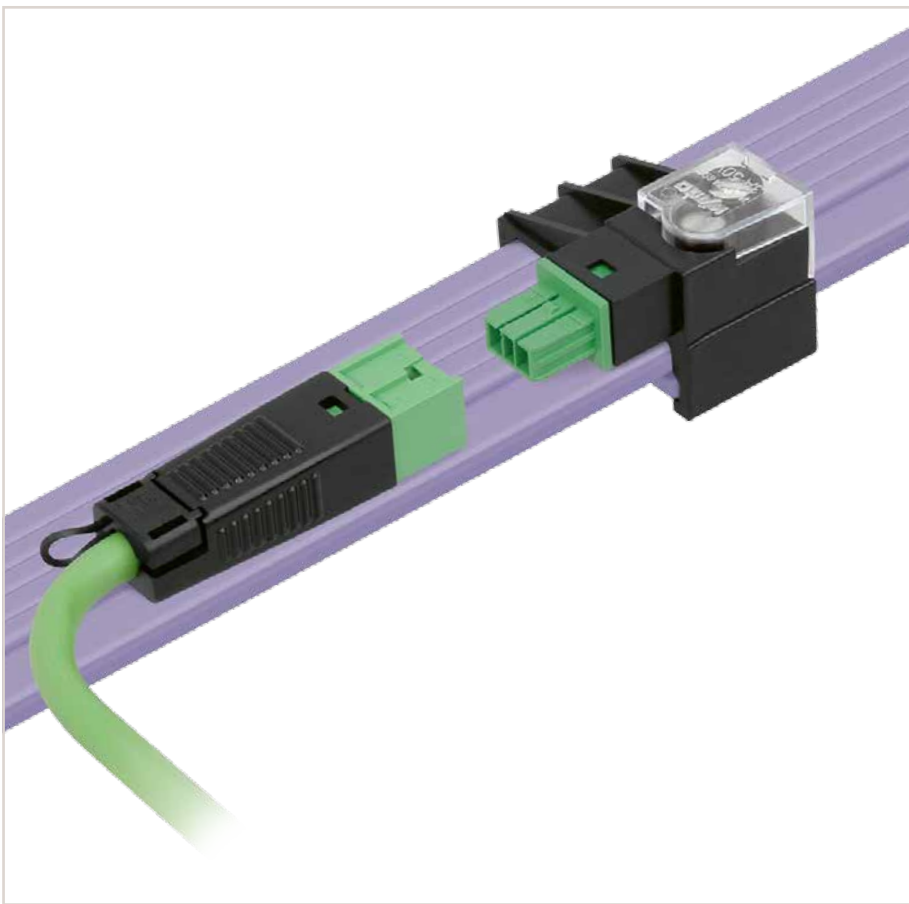
Connecting an installation cable to the supply module: Simply push stripped, solid conductors into unit. Open clamp via screwdriver to insert stripped, fine-stranded conductors.



Secure supply cable via strain relief housing.



Tighten strain relief screw using a screwdriver.



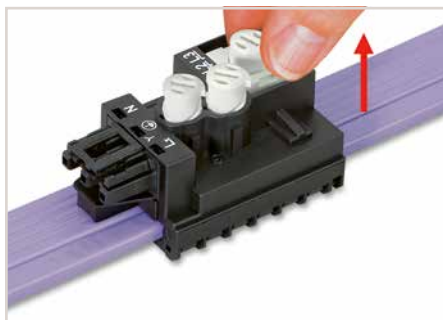
Tighten the screws to connect the flat cable. Observe 1 Nm of tightening torque!



Snap the transparent protective cover onto the module.



Notice: Should it be necessary to tap another phase, this must be done in a different location. To do so, the contact elements must be unscrewed and brought back to their original position.



Lift contact element to unlock phase selector and select the new phase. Notice: Do not reuse in the same location of the flat cable.



Use insulating tape to seal the contact holes in the flat cable after removing a module.

6

Supply/tap-off module ► WINSTA® IDC ► 772 Series

for flat cable 5 x 2.5 mm², 5 x 4 mm², 5 x 2.5 mm² + 2 x 1.5 mm²



- Suitable for bus and power lines or for bus and power combined in one cable
- Easy installation without cable interruption thanks to convenient insulation displacement connection (IDC) technology
- WINSTA® IDC Supply and Tap-Off Modules allow connection at any point along the flat cable – one rotation per pole is all that is required

Electrical data

Ratings per	IEC/EN 60664-1		
Overvoltage category	III	III	II
Pollution degree	3	2	2
Nominal voltage	400 V	-	-
Rated surge voltage	6 kV	-	-
Rated current	25 A	-	-

Material data

Insulation material (main housing)	Polyamide (PA66)
Flammability class per UL94	V0
Contact material	Copper or copper alloy; surface-treated
Contact Plating	Tin

Mechanical data

Retention force of a plug-in connection	When locked: > 80 N
Protection type	IP20
Note on protection type	When mated: IP2xC (These compact connectors are not designed for use in open, easily accessible areas!)

Environmental requirements

Processing temperature	-5 ... +40 °C
Continuous operating temperature	-35 ... +85 °C
Note on continuous operating temperature	Cable for temperatures ≤ 70 °C (including halogen-free) Flat cable for temperatures -15 °C to ≤ 70 °C (including halogen-free) Insulating parts for temperatures ≤ 105 °C

Note:

All WINSTA® components are 100% protected against mismatching when:

- plugging different numbers of poles
- plugging while rotated 180
- plugging while laterally staggered
- plugging one pole

Cables and connectors Page 392

Tool Page 394

See technical section for further information

Approvals and corresponding ratings, visit www.wago.com

Supply/tap-off module ▶ WINSTA® IDC ▶ 772 Series for flat cable 5 x 2.5 mm², 5 x 4 mm², 5 x 2.5 mm² + 2 x 1.5 mm²

Supply module ▶ Pole number: 5



772-261

General mains applications

Color	Coding	Marking	Item No.	PU
● black	A	N ⊕ L1 L2 L3	772-261	10

Control technology

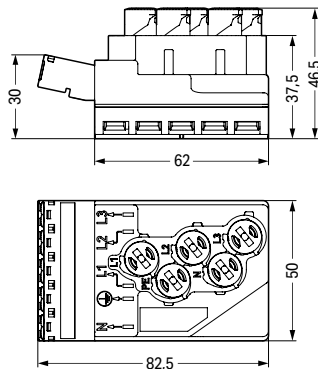
Color	Coding	Marking	Item No.	PU
○ gray	B	N ⊕ L1 L2 L3	772-264/060-000	10

DALI, Lighting Management

Color	Coding	Marking	Item No.	PU
● blue	I	N ⊕ L DA- DA+	772-271	10

EDV (UPS)

Color	Coding	Marking	Item No.	PU
● red	P	N ⊕ L1 L2 L3	772-267	10



Accessories; for all products on this page



Mounting plate; for supply and tap-off modules

Color	Item No.	PU
● black	772-260	10

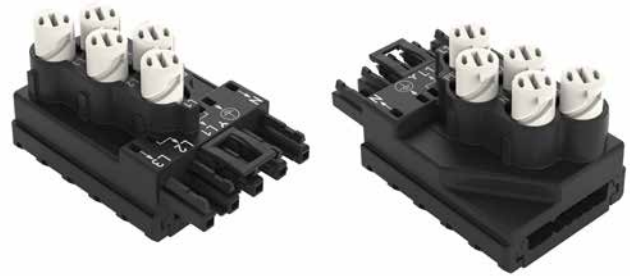
PU = packaging unit; SPU = subpackaging unit; Dimensions in mm

Supply/tap-off module ▶ WINSTA® IDC ▶ 772 Series for flat cable 5 x 2.5 mm², 5 x 4 mm², 5 x 2.5 mm² + 2 x 1.5 mm²

Tap-off module

Pole number: 3

Pole number: 5



772-263

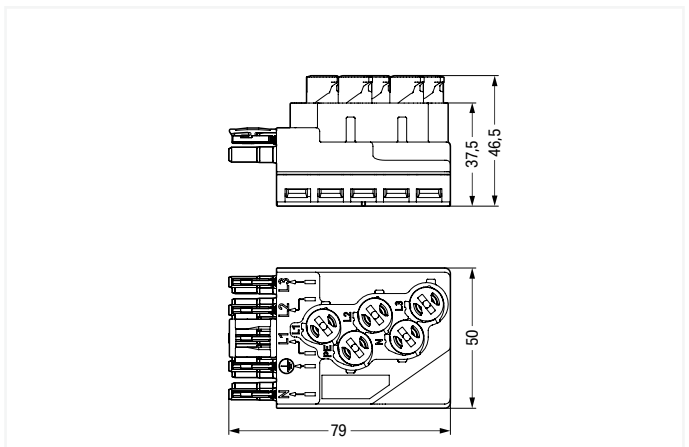
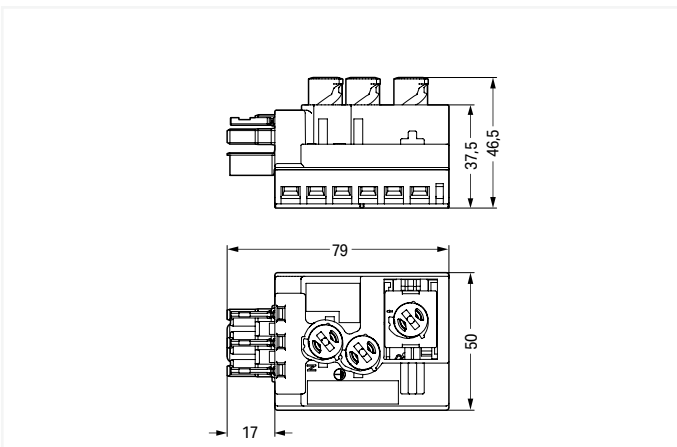
772-262

General mains applications				
Color	Coding	Marking	Item No.	PU
● black	A	L ⊕ N	772-263	10
Control technology				
Color	Coding	Marking	Item No.	PU
○ gray	B	L ⊕ N	772-266/060-000	10
EDV (UPS)				
Color	Coding	Marking	Item No.	PU
● red	P	L ⊕ N	772-269	10

General mains applications				
Color	Coding	Marking	Item No.	PU
● black	A	N ⊕ L1 L2 L3	772-262	10
Control technology				
Color	Coding	Marking	Item No.	PU
○ gray	B	N ⊕ L1 L2 L3	772-265/060-000	10
DALI, Lighting Management				
Color	Coding	Marking	Item No.	PU
● blue	I	N ⊕ L DA- DA+	772-272	10

EDV (UPS)				
Color	Coding	Marking	Item No.	PU
● red	P	N ⊕ L1 L2 L3	772-268	10

EDV (UPS)				
Color	Coding	Marking	Item No.	PU
● red	P	N ⊕ L1 L2 L3	772-268	10



6

Accessories; for all products on this page



Mounting plate; for supply and tap-off modules



Lockout cap; for socket; separable; Pole number: 12

Color	Item No.	PU
● black	772-260	10

Color	Item No.	PU
● black	770-201	100
○ white	770-221	100

PU = packaging unit; SPU = subpackaging unit; Dimensions in mm

6

Supply/tap-off module ▶ WINSTA® IDC ▶ 893 Series for flat cable 5 x 2.5 mm² + 2 x 1.5 mm² ▶ Pole number: 2



- Suitable for bus and power lines or for bus and power combined in one cable
- Easy installation without line interruption due to convenient insulation displacement technology (IDC)
- WINSTA® IDC Supply and Tap-Off Modules allow connection at any point along the flat cable – one rotation per pole is all that is required.

Electrical data			
Ratings per	IEC/EN 60664-1		
Overvoltage category	III	III	II
Pollution degree	3	2	2
Nominal voltage	50 V	-	-
Rated surge voltage	0.8 kV	-	-
Rated current	3 A	-	-
Material data			
Insulation material (main housing)	Polyamide (PA66)		
Flammability class per UL94	V0		
Contact material	Copper or copper alloy; surface-treated		
Contact Plating	Tin		
Mechanical data			
Number of mating cycles	200		
Retention force of a plug-in connection	When locked: > 80 N		
Protection type	IP20		
Note on protection type	When mated: IP2xC (These compact connectors are not designed for use in open, easily accessible areas!)		
Environmental requirements			
Processing temperature	-5 ... +40 °C		
Continuous operating temperature	-35 ... +85 °C		
Note on continuous operating temperature	Cable for temperatures ≤ 70 °C (including halogen-free) Flat cable for temperatures -15 °C to ≤ 70 °C (including halogen-free) Insulating parts for temperatures ≤ 105 °C		

Note:

All WINSTA® components are 100% protected against mismatching when:

- a.) plugging different numbers of poles
- b.) plugging while rotated 180
- c.) plugging while laterally staggered
- d.) plugging one pole

Cables and connectors Page 393

See technical section for further information

Approvals and corresponding ratings, visit www.wago.com

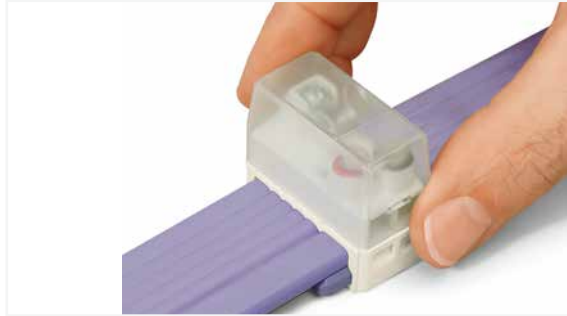
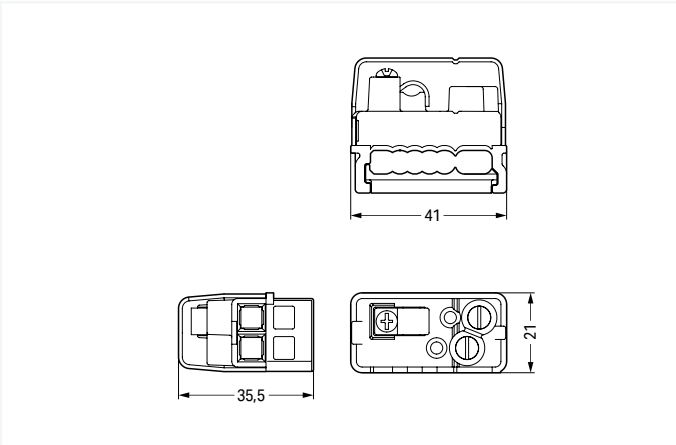
Supply/tap-off module ▶ WINSTA® IDC ▶ 893 Series
for flat cable 5 x 2.5 mm² + 2 x 1.5 mm² ▶ Pole number: 2

Supply module



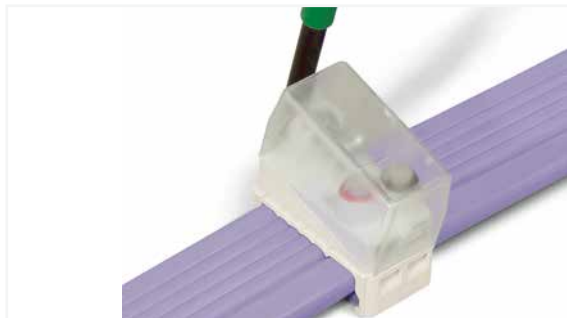
893-261

Color	Coding	Marking	Item No.	PU
○ gray	-	plain	893-261	50

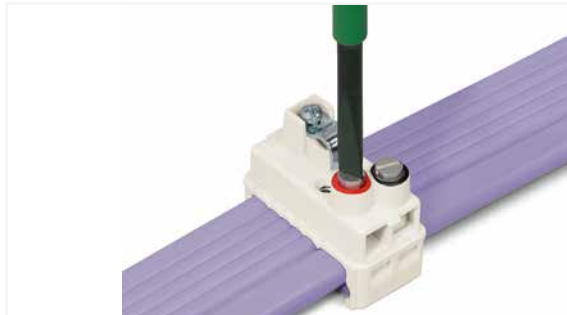


The IDC module can only be mounted if the two codings match each other.

Should the IDC module jam during mounting, turn the module by 180° and remount it, flush with the base.

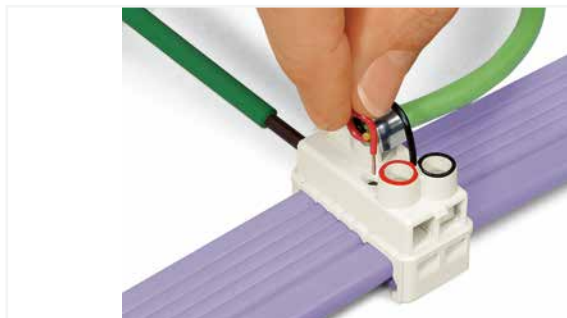


Remove transparent cover using a screwdriver.



Tighten the screws that are marked in red and black to connect the flat cable.

Observe 1 Nm of tightening torque!



Secure bus cable via strain relief and terminate stripped conductors as shown in the picture.

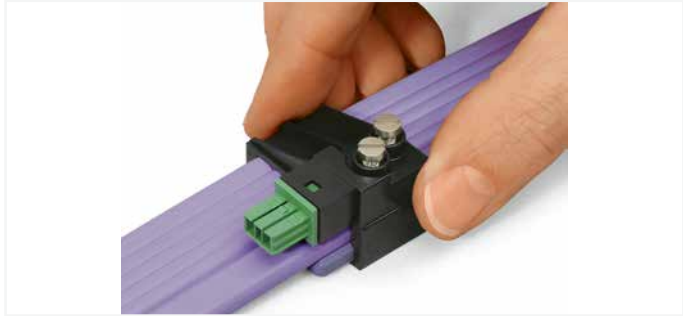
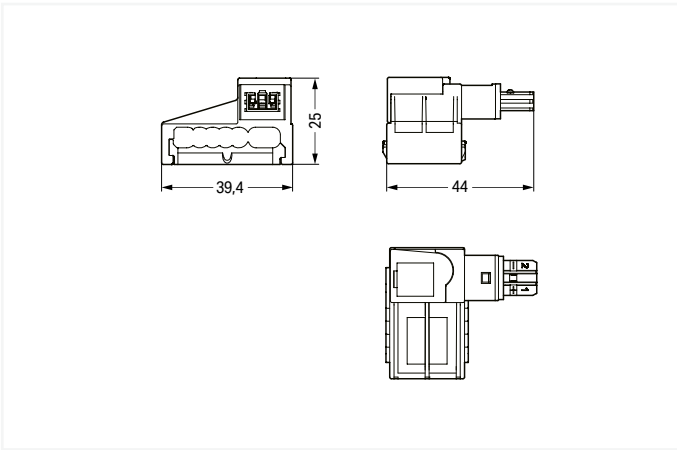
PU = packaging unit; SPU = subpackaging unit; Dimensions in mm

Supply/tap-off module ▶ WINSTA® IDC ▶ 893 Series for flat cable 5 x 2.5 mm² + 2 x 1.5 mm² ▶ Pole number: 2

Tap-off module



Color	Coding	Marking	Item No.	PU
● green	E	1+ 2-	893-262	50
Color	Coding	Marking	Item No.	PU
○ light gray	F	1+ 2-	893-269	50



The IDC module can only be mounted if the two codings match each other.

Should the IDC module jam during mounting, turn the module by 180° and remount it, flush with the base.

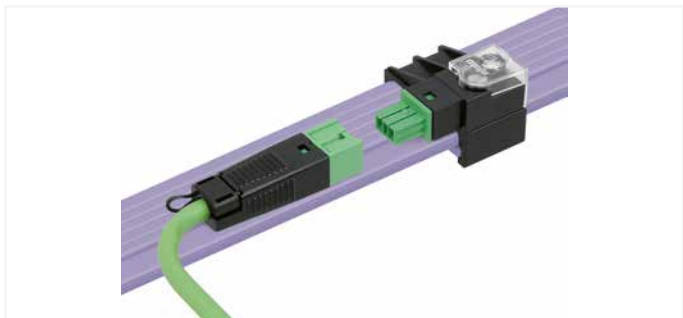


Tighten the screws to connect the flat cable.

Observe 1 Nm of tightening torque!



Snap the transparent protective cover onto the module.



Connect the cable assembly to the module.

6

Supply/tap-off module ▶ WINSTA® IDC ▶ 893 Series for flat cable 2 x 1.5 mm² ▶ Pole number: 2



- Suitable for bus and power lines or for bus and power combined in one cable
- Easy installation without line interruption due to convenient insulation displacement technology (IDC)
- WINSTA® IDC Supply and Tap-Off Modules allow connection at any point along the flat cable – one rotation per pole is all that is required.

Electrical data			
Ratings per	IEC/EN 60664-1		
Overvoltage category	III	III	II
Pollution degree	3	2	2
Nominal voltage	50 V	-	-
Rated surge voltage	0.8 kV	-	-
Rated current	3 A	-	-
Connection data			
Connection technology	IDC connection		
Material data			
Insulation material (main housing)	Polyamide (PA66)		
Flammability class per UL94	V0		
Contact material	Copper or copper alloy; surface-treated		
Contact Plating	Tin		
Mechanical data			
Number of mating cycles	200		
Retention force of a plug-in connection	When locked: > 80 N		
Protection type	IP20		
Note on protection type	When mated: IP2xC (These compact connectors are not designed for use in open, easily accessible areas!)		
Environmental requirements			
Processing temperature	-5 ... +40 °C		
Continuous operating temperature	-35 ... +85 °C		
Note on continuous operating temperature	Cable for temperatures ≤ 70 °C (including halogen-free) Flat cable for temperatures -15 °C to ≤ 70 °C (including halogen-free) Insulating parts for temperatures ≤ 105 °C		

Note:

All WINSTA® components are 100% protected against mismatching when:

- a.) plugging different numbers of poles
- b.) plugging while rotated 180
- c.) plugging while laterally staggered
- d.) plugging one pole

Cables and connectors Page 391

See technical section for further information

Approvals and corresponding ratings, visit www.wago.com

Supply/tap-off module ▶ WINSTA® IDC ▶ 893 Series for flat cable 2 x 1.5 mm² ▶ Pole number: 2

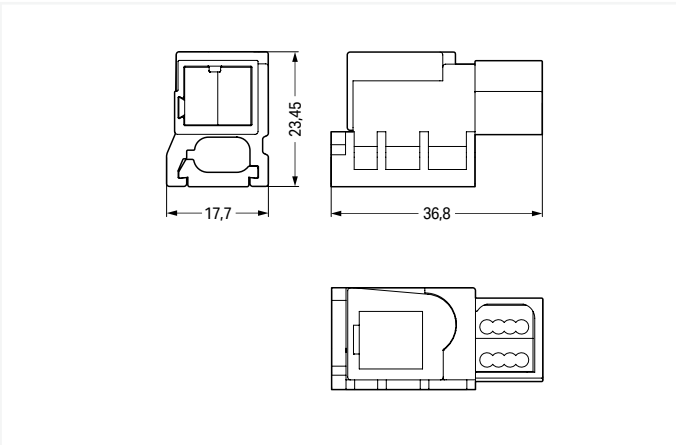
Supply module



Color	Coding	Marking	Item No.	PU
● black	-	plain	893-121	25

The IDC module can only be mounted if the two codings match each other.

Should the IDC module jam during mounting, turn the module by 180° and remount it, flush with the base.

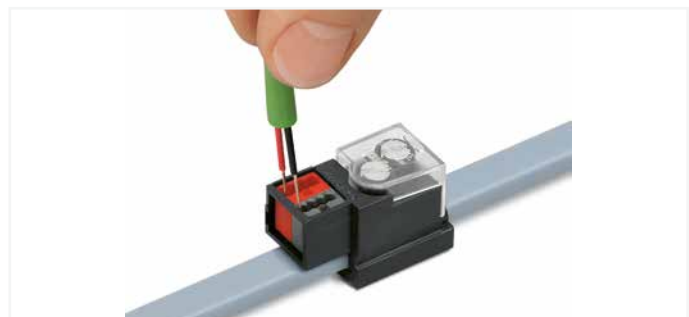


Tighten the screws to connect the flat cable.

Observe 1 Nm of tightening torque!



Snap the transparent protective cover onto the module.



Terminate stripped, solid conductors by simply pushing them into unit until they hit backstop.

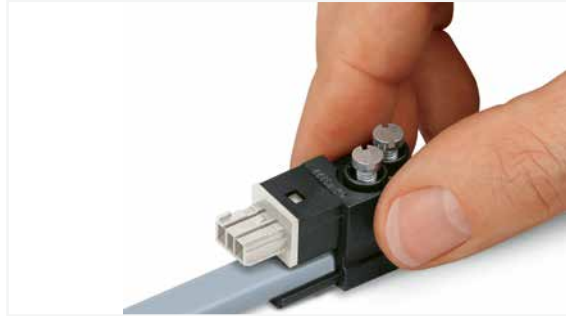
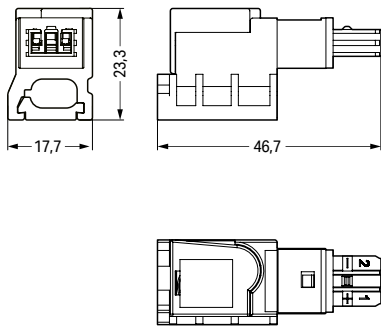
PU = packaging unit; SPU = subpackaging unit; Dimensions in mm

Supply/tap-off module ▶ WINSTA® IDC ▶ 893 Series for flat cable 2 x 1.5 mm² ▶ Pole number: 2

Tap-off module



Color	Coding	Marking	Item No.	PU
● green	E	1+ 2-	893-122	50
Color	Coding	Marking	Item No.	PU
○ light gray	F	1+ 2-	893-129	50



The IDC module can only be mounted if the two codings match each other.

Should the IDC module jam during mounting, turn the module by 180° and remount it, flush with the base.

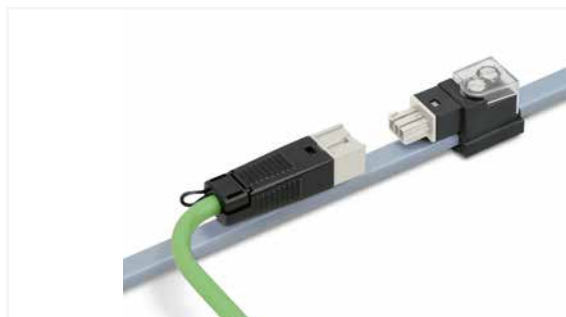


Tighten the screws to connect the flat cable.

Observe 1 Nm of tightening torque!



Snap the transparent protective cover onto the module.



Connect the cable assembly to the module.

Supply/tap-off module ► WINSTA® IDC ► 896 Series for flat cable 3 x 2.5 mm²



- Suitable for bus and power lines or for bus and power combined in one cable
- Easy installation without line interruption due to convenient insulation displacement technology (IDC)
- WINSTA® IDC Supply and Tap-Off Modules allow connection at any point along the flat cable – one rotation per pole is all that is required.

Electrical data			
Ratings per	IEC/EN 60664-1		
Overvoltage category	III	III	II
Pollution degree	3	2	2
Nominal voltage	250 V	-	-
Rated surge voltage	4 kV	-	-
Rated current	24 A	-	-
Material data			
Insulation material (main housing)	Polyamide (PA66)		
Flammability class per UL94	V0		
Contact material	Copper or copper alloy; surface-treated		
Mechanical data			
Protection type	IP20		
Environmental requirements			
Processing temperature	-5 ... +40 °C		
Continuous operating temperature	-35 ... +85 °C		

Note:

All WINSTA® components are 100% protected against mismatching when:

- plugging different numbers of poles
- plugging while rotated 180
- plugging while laterally staggered
- plugging one pole

Cables and connectors Page 392

See technical section for further information

Approvals and corresponding ratings, visit www.wago.com

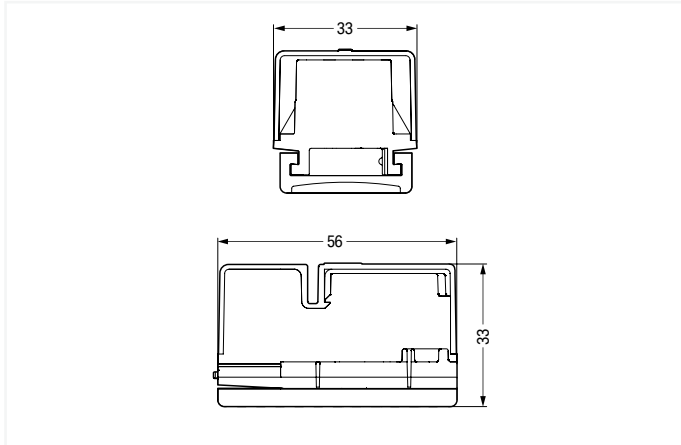
Supply/tap-off module ▶ WINSTA® IDC ▶ 896 Series for flat cable 3 x 2.5 mm²

Supply module ▶ Pole number: 3



896-231

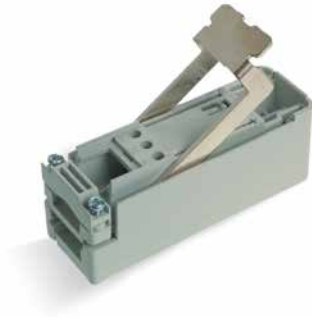
Color	Coding	Marking	Item No.	PU
○ gray	-	plain	896-231	10



PU = packaging unit; SPU = subpackaging unit; Dimensions in mm

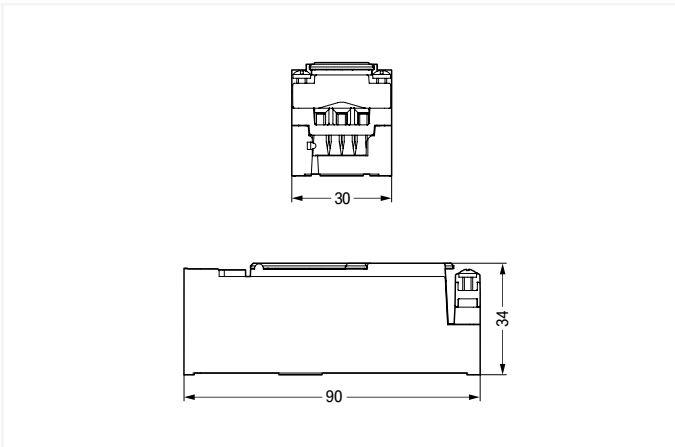
Supply/tap-off module ▶ WINSTA® IDC ▶ 896 Series for flat cable 3 x 2.5 mm²

Tap-off module ▶ Pole number: 3



896-232

Color	Coding	Marking	Item No.	PU
○ gray	-	plain	896-232	10



Position the base and tighten screw, if necessary. Insert flat cable accurately. The key in the base must match the groove in the cable insulation.



Cut outgoing feeder cable, completely strip and insert conductors. Tighten screws firmly (observe 0.7 Nm of tightening torque).



Insert upper part into base until it hits the stop (which will click when engaged). Push down and lock lever. All three cores are contacted simultaneously.

6

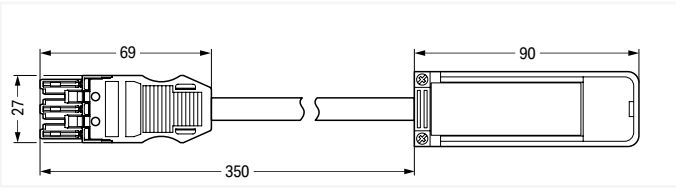
Supply/tap-off module ▶ WINSTA® IDC ▶ 896 Series for flat cable 3 x 2.5 mm²

Cable assembly ▶ General mains applications



896-233

Color	Coding	Marking	Item No.	PU
● black	A	L ⊕ N	896-233	1
○ white	A	L ⊕ N	896-234	1



Supply/tap-off module ▶ WINSTA® IDC ▶ 895 Series for flat cable 5 x 10 mm² ▶ Pole number: 5



- Suitable for bus and power lines or for bus and power combined in one cable
- Easy installation without line interruption due to convenient insulation displacement technology (IDC)
- WINSTA® IDC Supply and Tap-Off Modules allow connection at any point along the flat cable – one rotation per pole is all that is required.

Electrical data						
Ratings per	IEC/EN 60664-1			IEC/EN 60664-1		
Overvoltage category	III	III	II	III	III	II
Pollution degree	3	2	2	3	2	2
Nominal voltage	750 V	-	-	690 V	-	-
Rated surge voltage	8 kV	-	-	8 kV	-	-
Rated current	57 A	-	-	32 A	-	-
Material data						
Insulation material (main housing)	Polyamide (PA66)					
Flammability class per UL94	V0					
Contact material	Copper or copper alloy; surface-treated					
Contact Plating	Tin					
Mechanical data						
Retention force of a plug-in connection	When locked: > 80 N					
Protection type	IP20					
Note on protection type	When mated: IP2xC (These compact connectors are not designed for use in open, easily accessible areas!)					
Environmental requirements						
Processing temperature	-5 ... +40 °C					
Continuous operating temperature	-35 ... +85 °C					
Note on continuous operating temperature	Cable for temperatures ≤ 70 °C (including halogen-free) Flat cable for temperatures -15 °C to ≤ 70 °C (including halogen-free) Insulating parts for temperatures ≤ 105 °C					

Note:

All WINSTA® components are 100% protected against mismatching when:

- plugging different numbers of poles
- plugging while rotated 180
- plugging while laterally staggered
- plugging one pole

Cables and connectors Page 393

See technical section for further information

Approvals and corresponding ratings, visit www.wago.com

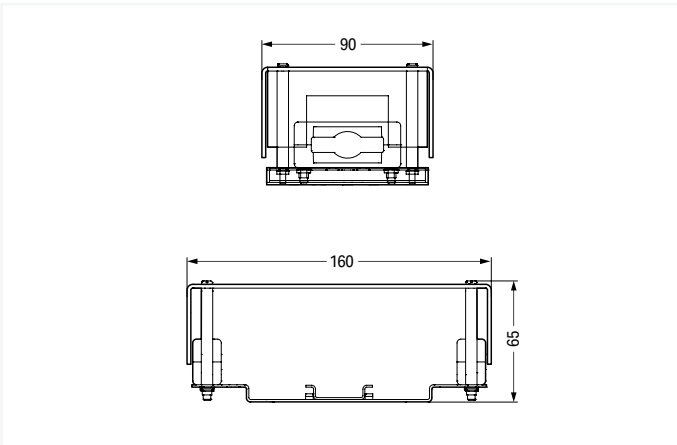
Supply/tap-off module ▶ WINSTA® IDC ▶ 895 Series for flat cable 5 x 10 mm² ▶ Pole number: 5

Supply module



895-1051

Color	Coding	Marking	Item No.	PU
○ transparent	-	plain	895-1051	1



Cut both sides of the flat cable insulation using a stripping knife (observe 30 mm of cutting length).



Cut off the flat cable insulation via cable cutter.



Push end cover fully onto the conductor ends.

PU = packaging unit; SPU = subpackaging unit; Dimensions in mm

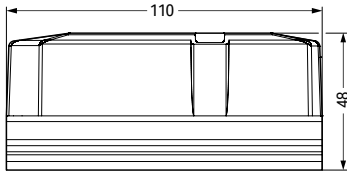
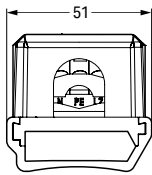
Supply/tap-off module ▶ WINSTA® IDC ▶ 895 Series for flat cable 5 x 10 mm² ▶ Pole number: 5

Tap-off module



895-1052

Color	Coding	Marking	Item No.	PU
○ transparent	-	L1 N ⊕ L2 L3	895-1052	25



Supply/tap-off module ► WINSTA® IDC ► 895 Series for flat cable 5 x 16 mm² ► Pole number: 5



- Suitable for bus and power lines or for bus and power combined in one cable
- Easy installation without line interruption due to convenient insulation displacement technology (IDC)
- WINSTA® IDC Supply and Tap-Off Modules allow connection at any point along the flat cable – one rotation per pole is all that is required.

Electrical data						
Ratings per	IEC/EN 60664-1			IEC/EN 60664-1		
Overvoltage category	III	III	II	III	III	II
Pollution degree	3	2	2	3	2	2
Nominal voltage	690 V	-	-	690 V	-	-
Rated surge voltage	8 kV	-	-	8 kV	-	-
Rated current	76 A	-	-	41 A	-	-
Connection data						
Connection technology	Screw connection					
Connection technology	IDC connection					
Material data						
Insulation material (main housing)	Polyamide (PA66)					
Flammability class per UL94	V0					
Contact material	Copper or copper alloy; surface-treated					
Contact Plating	Tin					
Mechanical data						
Retention force of a plug-in connection	When locked: > 80 N					
Protection type	IP20					
Note on protection type	IP65 with screw-type connection/blind plug					
Environmental requirements						
Processing temperature	-5 ... +40 °C					
Continuous operating temperature	-35 ... +85 °C					
Note on continuous operating temperature	Cable for temperatures ≤ 70 °C (including halogen-free) Flat cable for temperatures -15 °C to ≤ 70 °C (including halogen-free) Insulating parts for temperatures ≤ 105 °C					

Note:

To fulfill IP65 protection for this product, cable grips and/or blind plugs must be used. Note that the cable grip or the blind plug contains an O-ring. Without this sealing ring, the protection type IP65 is not met.

All WINSTA® components are 100% protected against mismatching when:

- plugging different numbers of poles
- plugging while rotated 180
- plugging while laterally staggered
- plugging one pole

Cables and connectors Page 393

Cover Page 389

Strain relief Page 389

See technical section for further information

Approvals and corresponding ratings, visit www.wago.com

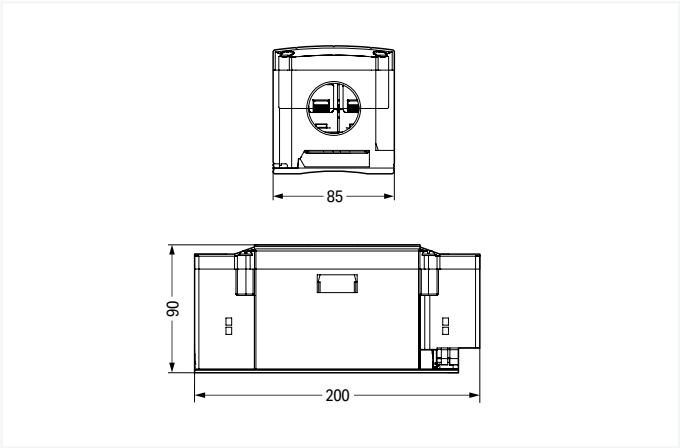
Supply/tap-off module ▶ WINSTA® IDC ▶ 895 Series for flat cable 5 x 16 mm² ▶ Pole number: 5

Supply module



895-1651

Color	Coding	Marking	Item No.	PU
● black	-	plain	895-1651	1



PU = packaging unit; SPU = subpackaging unit; Dimensions in mm

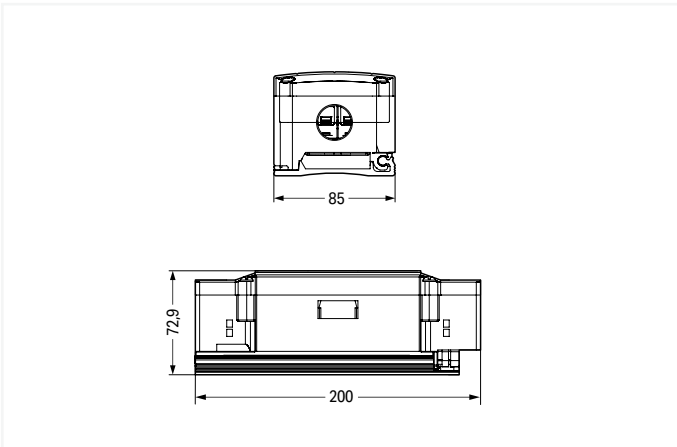
Supply/tap-off module ▶ WINSTA® IDC ▶ 895 Series for flat cable 5 x 16 mm² ▶ Pole number: 5

Tap-off module



Color	Coding	Marking	Item No.	895-1652	PU
● black	-	plain	895-1652		1

Tighten the screws to the stop to connect the flat cable (observe the tightening torque!)



Red contact clips confirm that the contacts are made correctly when they are flush with the terminals.



6

6



WAGO Pluggable Connection System WINSTA® Boxes

WAGO Pluggable Connection System WINSTA® Boxes ▶ 899 Series

	Page
	
899 Series	
Single-Phase Current (230 V)	338
Three-Phase Current (400 V)	343
Three-Phase to Single-Phase Current (400 V/230 V)	344
Supply Cable Entry	350
DALI	352
SMI	355
Motion and Presence Detectors	356
On/Off Switching	357
Series Switching	358
Changeover Switching	359
Crossover Switching	360
Cable and Device Protection	361
Latching Relay	362
Relay Switching	364
	
Distribution Box for Self-Assembly	365

WINSTA® Boxes ▶ 899 Series System Description and Installation



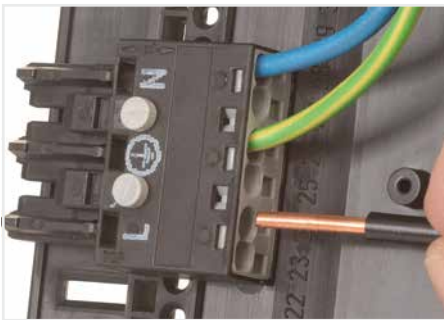
The set includes: 1 bottom, 1 lid, 2 sidewalls and 16 mounting pins.



Remove unrequired areas from the sidewalls.



Unassigned slots and spaces are closed by inserting a sidewall.



Using mounting pins to secure WINSTA® MIDI connectors in a distribution box .



Using adapters to install WINSTA® MINI connectors in a distribution box.



7



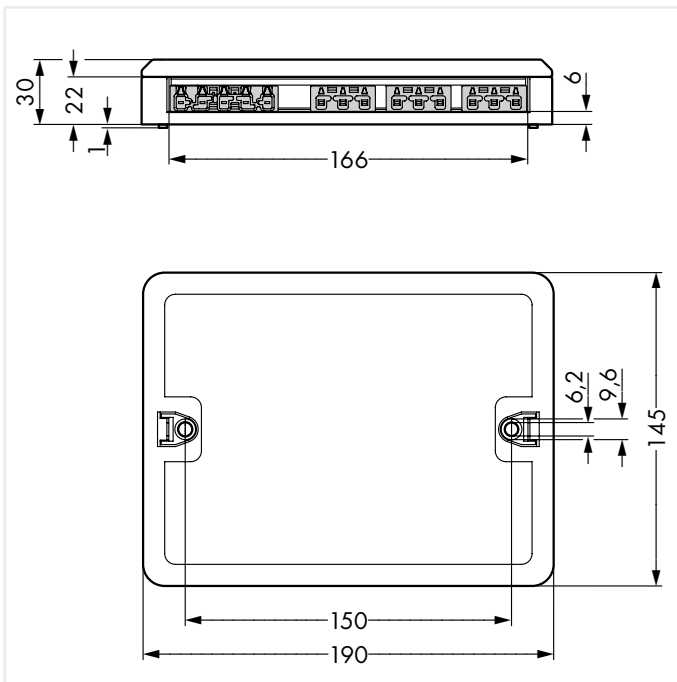
Securing the mounting plate with WINSTA® Box to the wall (e.g., via stud gun).



Custom-made WINSTA® Box

WINSTA® Boxes ▶ 899 Series

General Data



Material Data

Insulation material	Polyamide (PA66)
Flammability class per UL94	V0
Contact material	Copper or copper alloy; surface-treated
Contact plating	Tin

Mechanical Data

Protection type	IP20
Note on protection type	When mated: IP2xC (These compact connectors are not designed for use in open, easily accessible areas!)

Environmental requirements

Processing temperature	-5 ... +40 °C
Continuous operating temperature	-35 ... +85 °C
Note on continuous operating temperature	Insulating parts for temperatures ≤ 105 °C

Accessories



Mounting plate; for distribution boxes

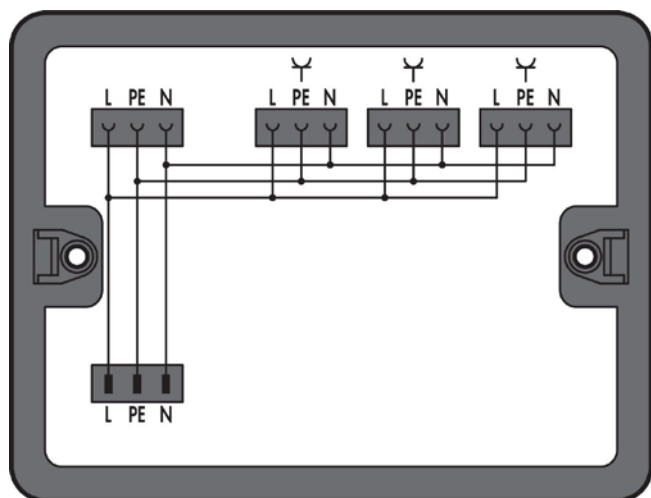
Color	Item no.	PU
○ gray	899-680	25

PU = packaging unit; SPU = subpackaging unit; Dimensions in mm

Distribution Box ▶ WINSTA® ▶ 899 Series

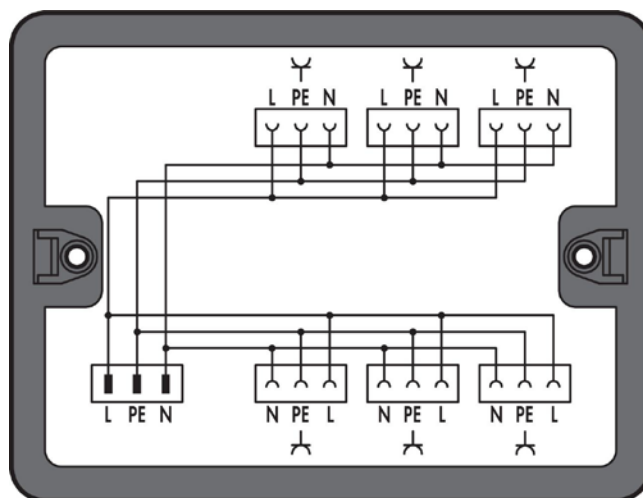
Single-phase current (230 V)

Number of inputs: 1 ▶ Number of outputs: 4 ▶ Coding: A



899-631/476-000

Number of inputs: 1 ▶ Number of outputs: 6 ▶ Coding: A



899-631/395-000

Description

This WINSTA® Distribution Box duplicates the outputs of a 3-pole, single-phase cable.

Color	Item No.	PU
● black	899-631/476-000	1

Electrical data

Ratings per	IEC/EN 60664-1		
Overvoltage category	III	III	II
Pollution degree	3	2	2
Nominal voltage	250 V	-	-
Rated surge voltage	4 kV	-	-
Rated current	20 A	-	-

Connection data

General data

Internal wiring 2.5 mm²

Connection 1

Connection type 1 Input
 Pluggable connector MIDI plug, 3-pole (770-213)

Connection 2

Connection type Output
 Connector 2 MIDI socket, 3-pole (770-203)

Description

This WINSTA® Distribution Box duplicates the outputs of a 3-pole, single-phase cable.

Color	Item No.	PU
● black	899-631/395-000	1

Electrical data

Ratings per	IEC/EN 60664-1		
Overvoltage category	III	III	II
Pollution degree	3	2	2
Nominal voltage	250 V	-	-
Rated surge voltage	4 kV	-	-
Rated current	25 A	-	-

Connection data

General data

Internal wiring 4 mm²

Connection 1

Connection type 1 Input
 Pluggable connector MIDI plug, 3-pole (770-233)

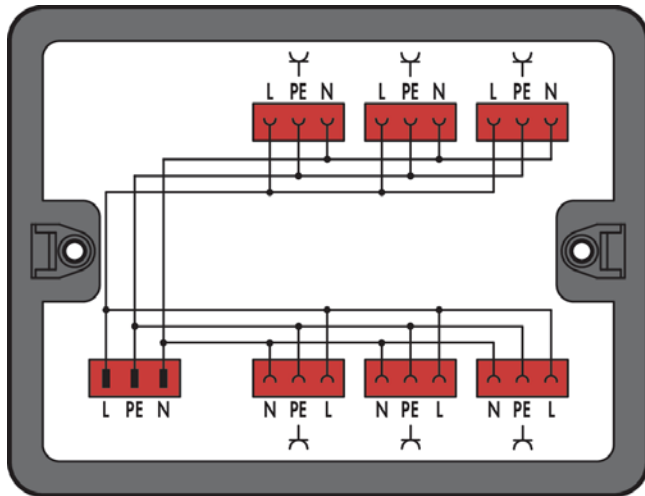
Connection 2

Connection type Output
 Connector 2 MIDI socket, 3-pole (770-223)

Distribution Box ▶ WINSTA® ▶ 899 Series

Single-phase current (230 V)

Number of inputs: 1 ▶ Number of outputs: 6 ▶ Coding: P



899-631/331-000

Description

This WINSTA® Distribution Box duplicates the outputs of a 3-pole, single-phase cable.

Color	Item No.	PU
● black	899-631/331-000	1

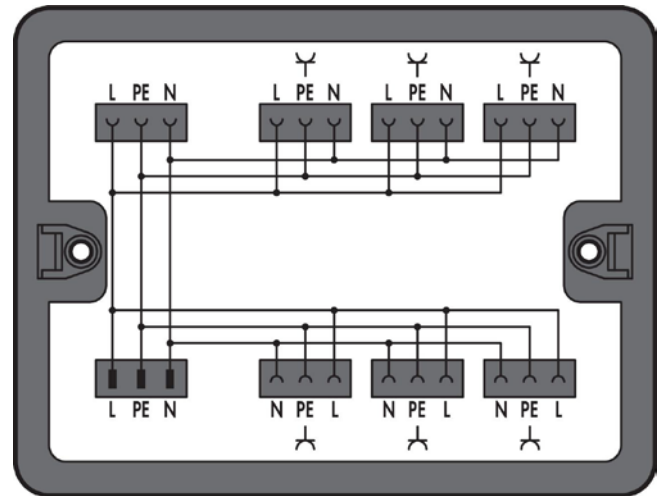
Electrical data

Ratings per	IEC/EN 60664-1		
Overvoltage category	III	III	II
Pollution degree	3	2	2
Nominal voltage	250 V	-	-
Rated surge voltage	4 kV	-	-
Rated current	25 A	-	-

Connection data

General data	
Internal wiring	4 mm ²
Connection 1	
Connection type 1	Input
Pluggable connector	MIDI plug, 3-pole (770-1313)
Connection 2	
Connection type	Output
Connector 2	MIDI socket, 3-pole (770-1303)

Number of inputs: 1 ▶ Number of outputs: 7 ▶ Coding: A



899-631/104-000

Description

This WINSTA® Distribution Box duplicates the outputs of a 3-pole, single-phase cable.

Color	Item No.	PU
● black	899-631/104-000	1

Electrical data

Ratings per	IEC/EN 60664-1		
Overvoltage category	III	III	II
Pollution degree	3	2	2
Nominal voltage	250 V	-	-
Rated surge voltage	4 kV	-	-
Rated current	25 A	-	-

Connection data

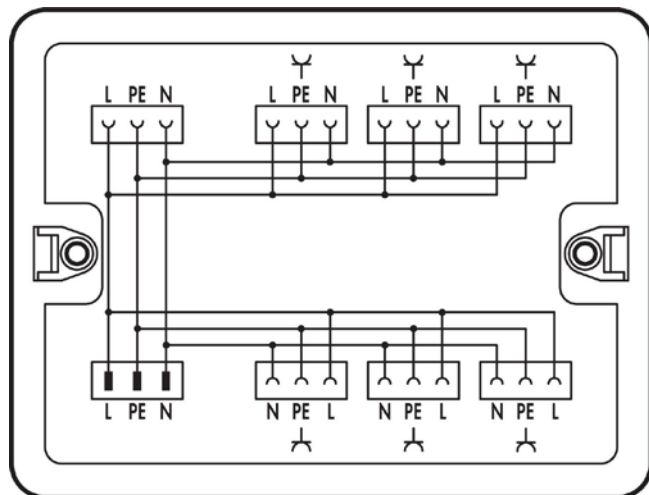
General data	
Internal wiring	4 mm ²
Connection 1	
Connection type 1	Input
Pluggable connector	MIDI plug, 3-pole (770-213)
Connection 2	
Connection type	Output
Connector 2	MIDI socket, 3-pole (770-203)

PU = packaging unit; SPU = subpackaging unit; Dimensions in mm

Distribution Box ▶ WINSTA® ▶ 899 Series

Single-phase current (230 V)

Number of inputs: 1 ▶ Number of outputs: 7 ▶ Coding: A



899-681/104-000

Description

This WINSTA® Distribution Box duplicates the outputs of a 3-pole, single-phase cable.

Color	Item No.	PU
○ white	899-681/104-000	1

Electrical data

Ratings per	IEC/EN 60664-1		
Overvoltage category	III	III	II
Pollution degree	3	2	2
Nominal voltage	250 V	-	-
Rated surge voltage	4 kV	-	-
Rated current	25 A	-	-

Connection data

General data

Internal wiring 4 mm²

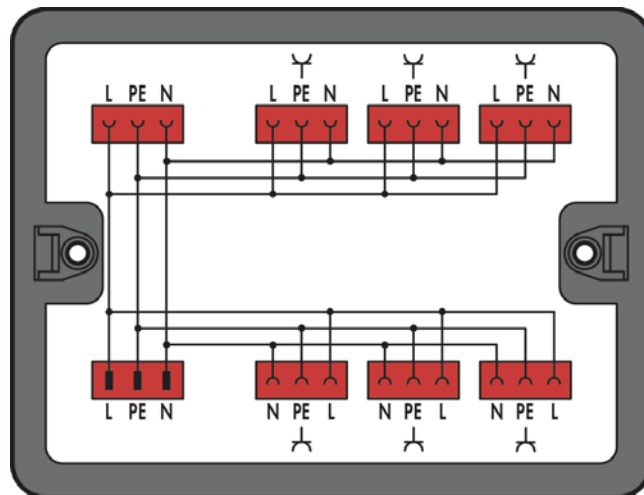
Connection 1

Connection type 1 Input
 Pluggable connector MIDI plug, 3-pole (770-233)

Connection 2

Connection type Output
 Connector 2 MIDI socket, 3-pole (770-223)

Number of inputs: 1 ▶ Number of outputs: 7 ▶ Coding: P



899-631/330-000

Description

This WINSTA® Distribution Box duplicates the outputs of a 3-pole, single-phase cable.

Color	Item No.	PU
● black	899-631/330-000	1

Electrical data

Ratings per	IEC/EN 60664-1		
Overvoltage category	III	III	II
Pollution degree	3	2	2
Nominal voltage	250 V	-	-
Rated surge voltage	4 kV	-	-
Rated current	25 A	-	-

Connection data

General data

Internal wiring 4 mm²

Connection 1

Connection type 1 Input
 Pluggable connector MIDI plug, 3-pole (770-1313)

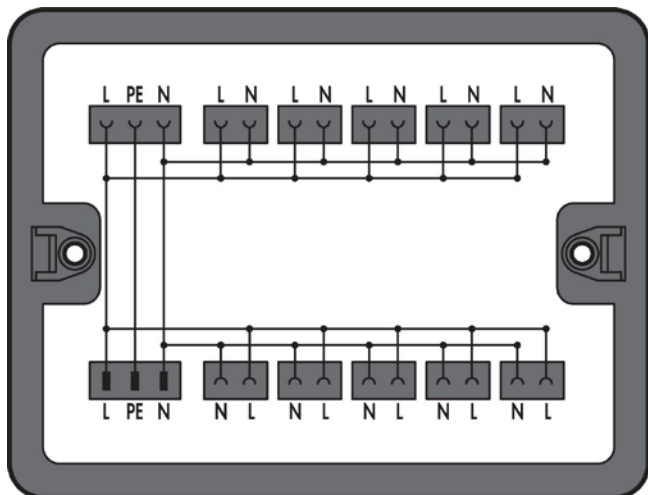
Connection 2

Connection type Output
 Connector 2 MIDI socket, 3-pole (770-1303)

Distribution Box ▶ WINSTA® ▶ 899 Series

Single-phase current (230 V)

Number of inputs: 1 ▶ Number of outputs: 11 ▶ Coding: A



899-631/477-000

Description

This WINSTA® Box features a 3-pole transmission line and ten 2-pole outputs.

Color	Item No.	PU
● black	899-631/477-000	1

Electrical data

Ratings per	IEC/EN 60664-1		
Overvoltage category	III	III	II
Pollution degree	3	2	2
Nominal voltage	250 V	-	-
Rated surge voltage	4 kV	-	-
Rated current	16 A	-	-

Connection data

General data

Internal wiring 1.5 mm²

Connection 1

Connection type 1 Input
Pluggable connector MIDI plug, 3-pole (770-213)

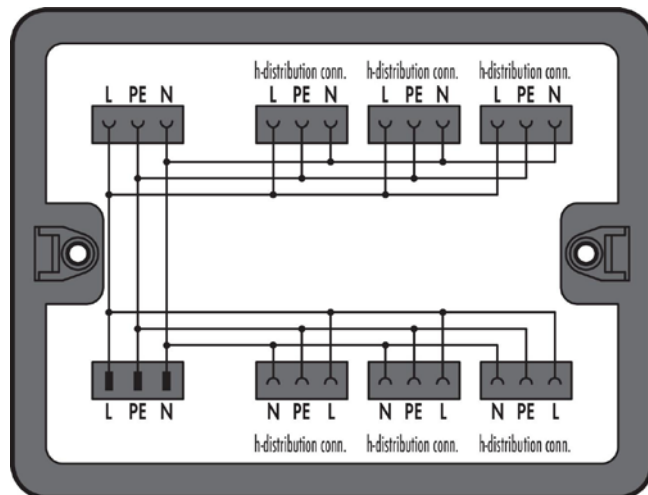
Connection 2

Connection type Output
Connector 2 MIDI socket, 3-pole (770-203)

Connection 3

Connection type Output
Connector 3 MIDI socket, 2-pole (770-202)

Number of inputs: 1 ▶ Number of outputs: 13 ▶ Coding: A



899-631/334-000

Description

This WINSTA® Distribution Box duplicates the outputs of a 3-pole, single-phase cable.

Includes: Six 770-634 h-Distribution Connectors

Color	Item No.	PU
● black	899-631/334-000	1

Electrical data

Ratings per	IEC/EN 60664-1		
Overvoltage category	III	III	II
Pollution degree	3	2	2
Nominal voltage	250 V	-	-
Rated surge voltage	4 kV	-	-
Rated current	25 A	-	-

Connection data

General data

Internal wiring 4 mm²

Connection 1

Connection type 1 Input
Pluggable connector MIDI plug, 3-pole (770-213)

Connection 2

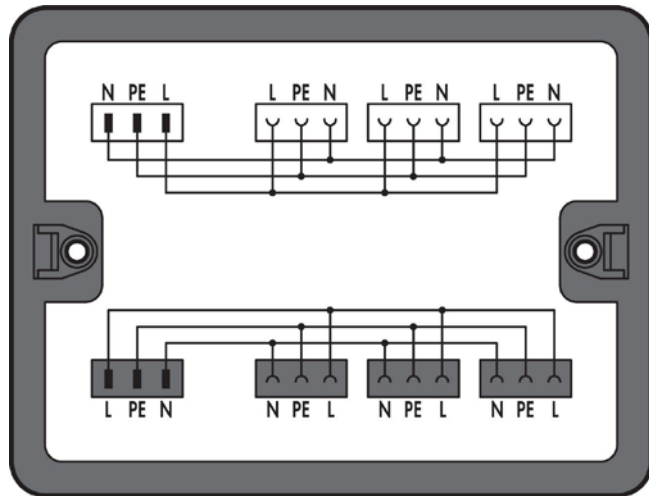
Connection type Output
Connector 2 MIDI socket, 3-pole (770-203)

PU = packaging unit; SPU = subpackaging unit; Dimensions in mm

Distribution Box ▶ WINSTA® ▶ 899 Series

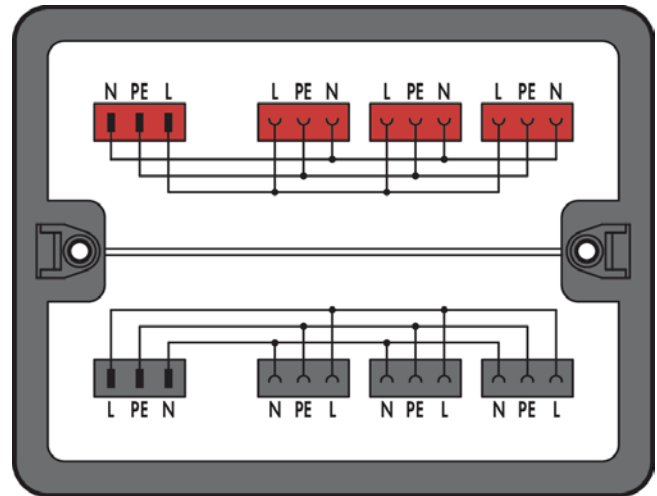
Single-phase current (230 V)

Number of inputs: 2 ▶ Number of outputs: 6 ▶ Coding: A



899-631/327-000

Number of inputs: 2 ▶ Number of outputs: 6 ▶ Coding: A ▶ Coding 2: P



899-631/311-000

Description

This WINSTA® Distribution Box features two 3-pole, single-phase circuits (e.g., for general power, EDP outlets and UPS systems). Three-pole connecting cables are provided for both power input and output.

Color	Item No.	PU
● black	899-631/327-000	1

Electrical data

Ratings per	IEC/EN 60664-1		
Overvoltage category	III	III	II
Pollution degree	3	2	2
Nominal voltage	250 V	-	-
Rated surge voltage	4 kV	-	-
Rated current	25 A	-	-

Connection data

General data	
Internal wiring	4 mm ²
Connection 1	
Connection type 1	Input
Pluggable connector	MIDI plug, 3-pole (770-213)
Connection 2	
Connection type	Output
Connector 2	MIDI socket, 3-pole (770-203)
Connection 3	
Connection type	Input
Connector 3	MIDI plug, 3-pole (770-233)
Connection 4	
Connection type	Output
Connector 4	MIDI socket, 3-pole (770-223)

Description

This WINSTA® Distribution Box features two different 3-pole, single-phase circuits (e.g., for general power, EDP outlets and UPS systems). Both networks are provided with connectors coded in different colors. Three-pole connecting cables are provided for both power input and output.

Color	Item No.	PU
● black	899-631/311-000	1

Electrical data

Ratings per	IEC/EN 60664-1		
Overvoltage category	III	III	II
Pollution degree	3	2	2
Nominal voltage	250 V	-	-
Rated surge voltage	4 kV	-	-
Rated current	25 A	-	-

Connection data

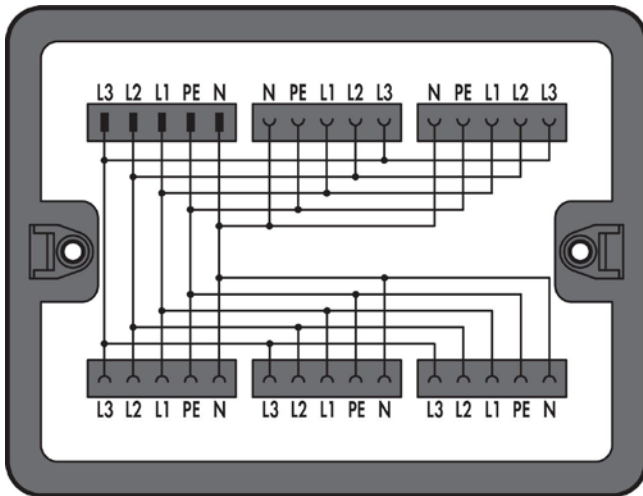
General data	
Internal wiring	4 mm ²
Connection 1	
Connection type 1	Input
Pluggable connector	MIDI plug, 3-pole (770-213)
Connection 2	
Connection type	Output
Connector 2	MIDI socket, 3-pole (770-203)
Connection 3	
Connection type	Input
Connector 3	MIDI plug, 3-pole (770-1313)
Connection 4	
Connection type	Output
Connector 4	MIDI socket, 3-pole (770-1303)

PU = packaging unit; SPU = subpackaging unit; Dimensions in mm

Distribution Box ▶ WINSTA® ▶ 899 Series

Three-phase current (400 V)

Number of inputs: 1 ▶ Number of outputs: 5 ▶ Coding: A



899-631/187-000

Description

This WINSTA® Distribution Box duplicates the outputs of a 5-pole, 3-phase cable.

Color	Item No.	PU
● black	899-631/187-000	1

Electrical data

Ratings per	IEC/EN 60664-1		
Overvoltage category	III	III	II
Pollution degree	3	2	2
Nominal voltage	400 V	-	-
Rated surge voltage	6 kV	-	-
Rated current	25 A	-	-

Connection data

General data

Internal wiring 4 mm²

Connection 1

Connection type 1 Input
Pluggable connector MIDI plug, 5-pole (770-215)

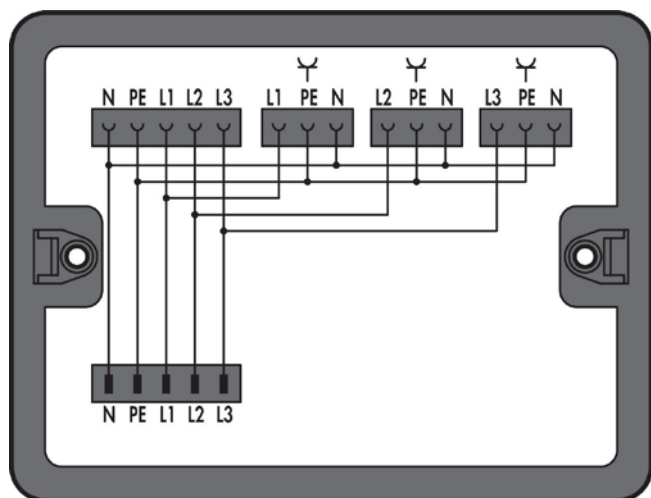
Connection 2

Connection type Output
Connector 2 MIDI socket, 5-pole (770-205)

Distribution Box ▶ WINSTA® ▶ 899 Series

Three-phase to single-phase current (400 V / 230 V)

Number of inputs: 1 ▶ Number of outputs: 4 ▶ Coding: A



899-631/346-000

Description

The phases L1, L2 and L3 of the 3-phase current are divided into three single-phase circuits.

Color	Item No.	PU
● black	899-631/346-000	1

Electrical data

Ratings per	IEC/EN 60664-1		
Overvoltage category	III	III	II
Pollution degree	3	2	2
Nominal voltage	400 V	-	-
Rated surge voltage	6 kV	-	-
Rated current	25 A	-	-

Connection data

General data

Internal wiring 4 mm²

Connection 1

Connection type 1 Input
Pluggable connector MIDI plug, 5-pole (770-215)

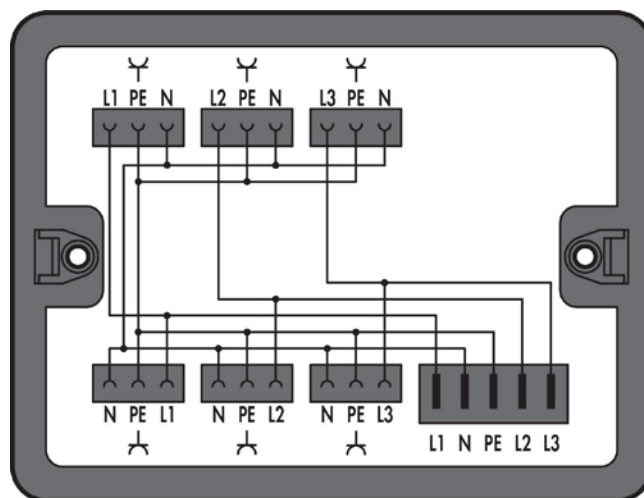
Connection 2

Connection type Output
Connector 2 MIDI socket, 5-pole (770-205)

Connection 3

Connection type Output
Connector 3 MIDI socket, 3-pole (770-203)

Number of inputs: 1 ▶ Number of outputs: 6 ▶ Coding: A



899-631/149-000

Description

This WINSTA® Distribution Box divides a 3-phase circuit into three single-phase circuits with two outputs each. Power supply is performed via 6 mm² cable equipped with a WINSTA® MAXI connector.

Color	Item No.	PU
● black	899-631/149-000	1

Electrical data

Ratings per	IEC/EN 60664-1		
Overvoltage category	III	III	II
Pollution degree	3	2	2
Nominal voltage	400 V	-	-
Rated surge voltage	6 kV	-	-
Rated current	25 A	-	-

Connection data

General data

Internal wiring 4 mm²

Connection 1

Connection type 1 Input
Pluggable connector MAXI plug, 5-pole

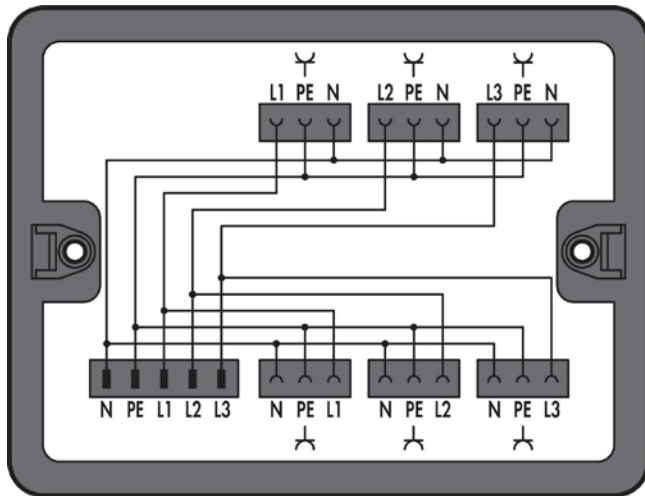
Connection 2

Connection type Output
Connector 2 MIDI socket, 3-pole (770-203)

Distribution Box ▶ WINSTA® ▶ 899 Series

Three-phase to single-phase current (400 V / 230 V)

Number of inputs: 1 ▶ Number of outputs: 6 ▶ Coding: A



899-631/105-000

Description

The phases L1, L2 and L3 of the 3-phase current are divided into three single-phase circuits with two outputs each.

Color	Item No.	PU
● black	899-631/105-000	1

Electrical data

Ratings per	IEC/EN 60664-1		
Overvoltage category	III	III	II
Pollution degree	3	2	2
Nominal voltage	400 V	-	-
Rated surge voltage	6 kV	-	-
Rated current	25 A	-	-

Connection data

General data

Internal wiring 4 mm²

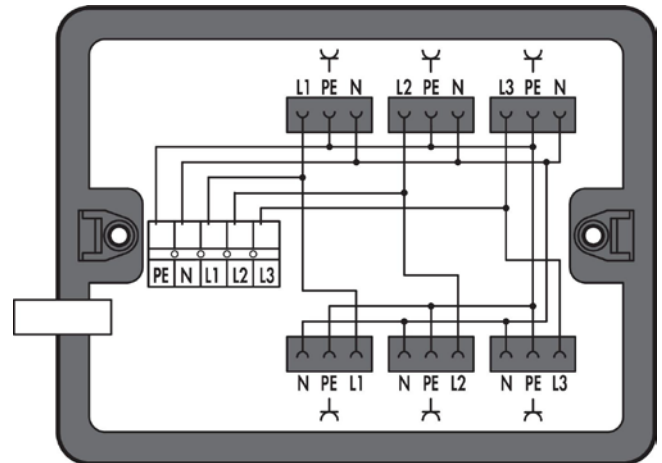
Connection 1

Connection type 1 Input
Pluggable connector MIDI plug, 5-pole (770-215)

Connection 2

Connection type Output
Connector 2 MIDI socket, 3-pole (770-203)

Number of inputs: 1 ▶ Number of outputs: 6 ▶ Coding: A



899-631/338-000

Description

Power supply is performed via standard 5-pole terminal strip. The phases L1, L2 and L3 of the 3-phase current are divided into three single-phase circuits with two outputs each. Includes: one cable clamp and two mounting screws

Color	Item No.	PU
● black	899-631/338-000	1

Electrical data

Ratings per	IEC/EN 60664-1		
Overvoltage category	III	III	II
Pollution degree	3	2	2
Nominal voltage	400 V	-	-
Rated surge voltage	6 kV	-	-
Rated current	25 A	-	-

Connection data

General data

Internal wiring 4 mm²

Connection 1

Connection type 1 Input
Design Chassis-mount terminal strip, 5-pole (862-1505)

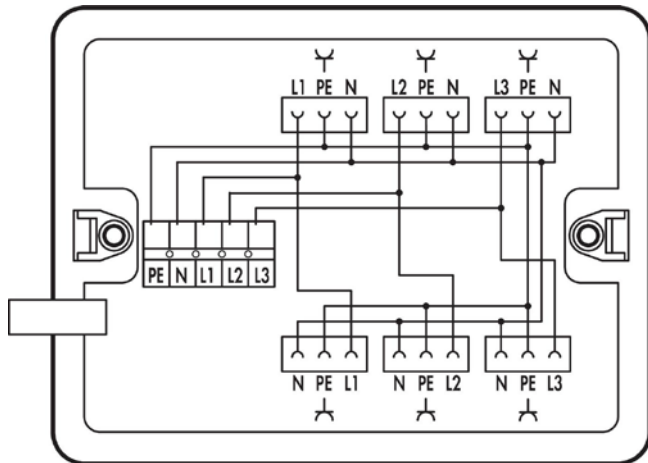
Connection 2

Connection type Output
Connector 2 MIDI socket, 3-pole (770-203)

Distribution Box ▶ WINSTA® ▶ 899 Series

Three-phase to single-phase current (400 V / 230 V)

Number of inputs: 1 ▶ Number of outputs: 6 ▶ Coding: A



899-681/123-000

Description

Power supply is performed via standard 5-pole terminal strip. The phases L1, L2 and L3 of the 3-phase current are divided into three single-phase circuits with two outputs each. Includes: one cable clamp and two mounting screws

Color	Item No.	PU
○ white	899-681/123-000	1

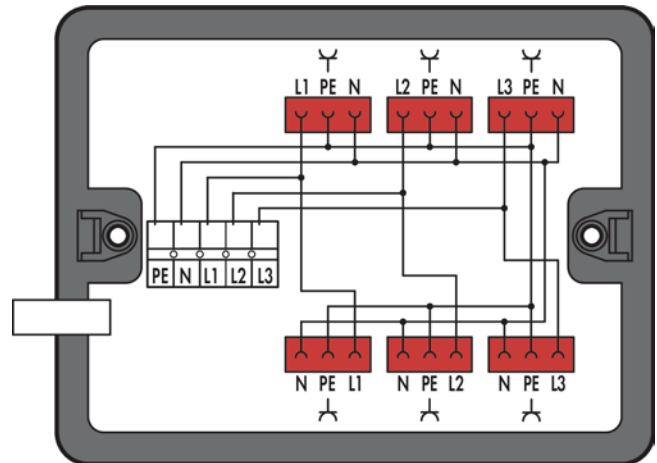
Electrical data

Ratings per	IEC/EN 60664-1		
	III	III	II
Overvoltage category	III	III	II
Pollution degree	3	2	2
Nominal voltage	400 V	-	-
Rated surge voltage	6 kV	-	-
Rated current	25 A	-	-

Connection data

General data	
Internal wiring	4 mm ²
Connection 1	
Connection type 1	Input
Design	Chassis-mount terminal strip, 5-pole (862-1605)
Connection 2	
Connection type	Output
Connector 2	MIDI socket, 3-pole (770-223)

Number of inputs: 1 ▶ Number of outputs: 6 ▶ Coding: P



899-631/339-000

Description

Power supply is performed via standard 5-pole terminal strip. The phases L1, L2 and L3 of the 3-phase current are divided into three single-phase circuits with two outputs each. Includes: One cable clamp and two mounting screws

Color	Item No.	PU
● black	899-631/339-000	1

Electrical data

Ratings per	IEC/EN 60664-1		
	III	III	II
Overvoltage category	III	III	II
Pollution degree	3	2	2
Nominal voltage	400 V	-	-
Rated surge voltage	6 kV	-	-
Rated current	25 A	-	-

Connection data

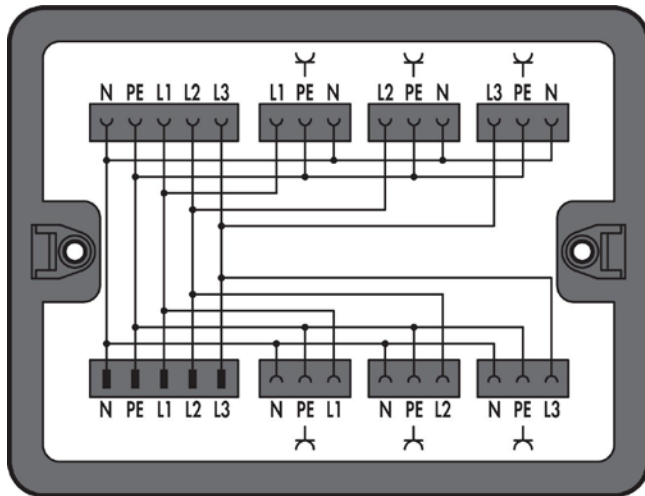
General data	
Internal wiring	4 mm ²
Connection 1	
Connection type 1	Input
Design	Chassis-mount terminal strip, 5-pole (862-1605)
Connection 2	
Connection type	Output
Connector 2	MIDI socket, 3-pole (770-1303)

7

Distribution Box ▶ WINSTA® ▶ 899 Series

Three-phase to single-phase current (400 V / 230 V)

Number of inputs: 1 ▶ Number of outputs: 7 ▶ Coding: A



899-631/100-000

Description

The phases L1, L2 and L3 of the 3-phase current are divided into three single-phase circuits with two outputs each.

Color	Item No.	PU
● black	899-631/100-000	1

Electrical data

Ratings per	IEC/EN 60664-1		
Overvoltage category	III	III	II
Pollution degree	3	2	2
Nominal voltage	400 V	-	-
Rated surge voltage	6 kV	-	-
Rated current	25 A	-	-

Ratings per	IEC/EN 60664-1		
Overvoltage category	III	III	II
Pollution degree	3	2	2
Nominal voltage	250 V	-	-
Rated surge voltage	4 kV	-	-
Rated current	16 A	-	-

Connection data

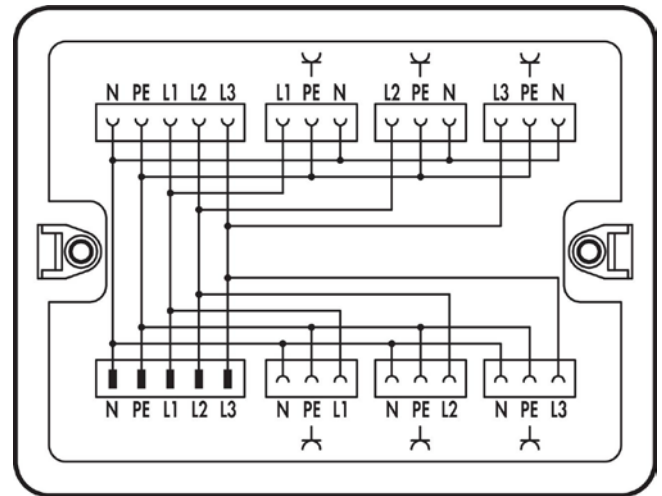
General data	
Internal wiring	4 mm ²

Connection 1	
Connection type 1	Input
Pluggable connector	MIDI plug, 5-pole (770-215)

Connection 2	
Connection type	Output
Connector 2	MIDI socket, 5-pole (770-205)

Connection 3	
Connection type	Output
Connector 3	MIDI socket, 3-pole (770-203)

Number of inputs: 1 ▶ Number of outputs: 7 ▶ Coding: A



899-681/100-000

Description

The phases L1, L2 and L3 of the 3-phase current are divided into three single-phase circuits with two outputs each.

Color	Item No.	PU
○ white	899-681/100-000	1

Electrical data

Ratings per	IEC/EN 60664-1		
Overvoltage category	III	III	II
Pollution degree	3	2	2
Nominal voltage	400 V	-	-
Rated surge voltage	6 kV	-	-
Rated current	25 A	-	-

Ratings per	IEC/EN 60664-1		
Overvoltage category	III	III	II
Pollution degree	3	2	2
Nominal voltage	250 V	-	-
Rated surge voltage	4 kV	-	-
Rated current	16 A	-	-

Connection data

General data	
Internal wiring	4 mm ²

Connection 1	
Connection type 1	Input
Pluggable connector	MIDI plug, 5-pole (770-235)

Connection 2	
Connection type	Output
Connector 2	MIDI socket, 5-pole (770-225)

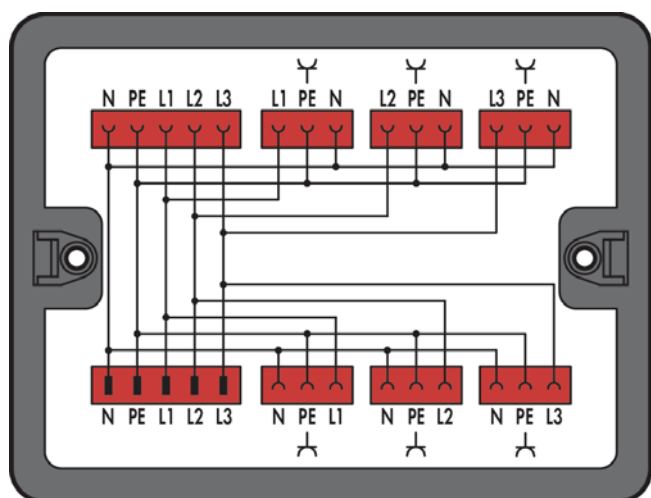
Connection 3	
Connection type	Output
Connector 3	MIDI socket, 3-pole (770-223)

PU = packaging unit; SPU = subpackaging unit; Dimensions in mm

Distribution Box ▶ WINSTA® ▶ 899 Series

Three-phase to single-phase current (400 V / 230 V)

Number of inputs: 1 ▶ Number of outputs: 7 ▶ Coding: P



899-631/186-000

Description

The phases L1, L2 and L3 of the 3-phase current are divided into three single-phase circuits with two outputs each.

Color	Item No.	PU
● black	899-631/186-000	1

Electrical data

Ratings per	IEC/EN 60664-1		
Overvoltage category	III	III	II
Pollution degree	3	2	2
Nominal voltage	400 V	-	-
Rated surge voltage	6 kV	-	-
Rated current	25 A	-	-

Connection data

General data

Internal wiring 4 mm²

Connection 1

Connection type 1 Input
Pluggable connector MIDI plug, 5-pole (770-1315)

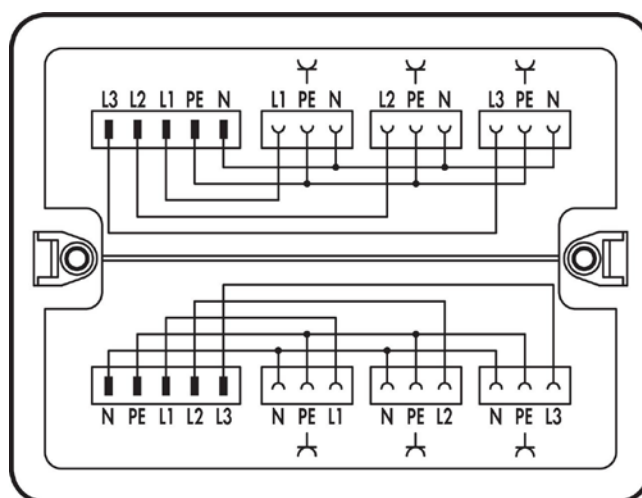
Connection 2

Connection type Output
Connector 2 MIDI socket, 5-pole (770-1305)

Connection 3

Connection type Output
Connector 3 MIDI socket, 3-pole (770-1303)

Number of inputs: 2 ▶ Number of outputs: 6 ▶ Coding: A



899-681/144-000

Description

This WINSTA® Distribution Box divides two 3-phase circuits into three single-phase circuits each (e.g., 230 V and EDP outlets).

Color	Item No.	PU
○ white	899-681/144-000	1

Electrical data

Ratings per	IEC/EN 60664-1		
Overvoltage category	III	III	II
Pollution degree	3	2	2
Nominal voltage	400 V	-	-
Rated surge voltage	6 kV	-	-
Rated current	25 A	-	-

Connection data

General data

Internal wiring 2.5 mm²

Connection 1

Connection type 1 Input
Pluggable connector MIDI plug, 5-pole (770-235)

Connection 2

Connection type Output
Connector 2 MIDI socket, 3-pole (770-223)

Connection 3

Connection type Input
Connector 3 MIDI plug, 5-pole (770-235)

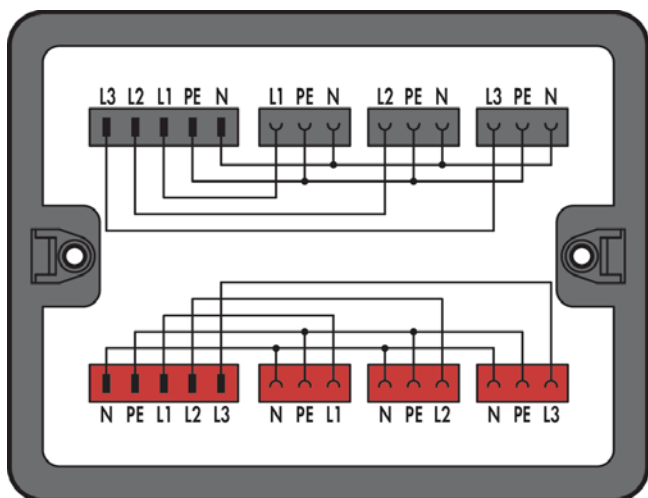
Connection 4

Connection type Output
Connector 4 MIDI socket, 3-pole (770-223)

Distribution Box ▶ WINSTA® ▶ 899 Series

Three-phase to single-phase current (400 V / 230 V)

Number of inputs: 2 ▶ Number of outputs: 6 ▶ Coding: A ▶ Coding 2: P



899-631/302-000

Description

This WINSTA® Distribution Box divides two 3-phase circuits into three single-phase circuits each (e.g., 230 V and EDP outlets).

Color	Item No.	PU
● black	899-631/302-000	1

Electrical data

Ratings per	IEC/EN 60664-1		
Overvoltage category	III	III	II
Pollution degree	3	2	2
Nominal voltage	400 V	-	-
Rated surge voltage	6 kV	-	-
Rated current	25 A	-	-

Connection data

General data

Internal wiring 4 mm²

Connection 1

Connection type 1 Input
Pluggable connector MIDI plug, 5-pole (770-1315)

Connection 2

Connection type Output
Connector 2 MIDI socket, 3-pole (770-1303)

Connection 3

Connection type Input
Connector 3 MIDI plug, 5-pole (770-215)

Connection 4

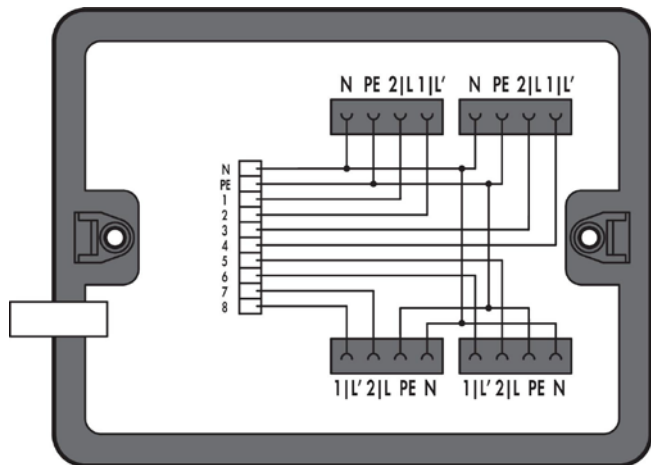
Connection type Output
Connector 4 MIDI socket, 3-pole (770-203)

PU = packaging unit; SPU = subpackaging unit; Dimensions in mm

Distribution Box ▶ WINSTA® ▶ 899 Series

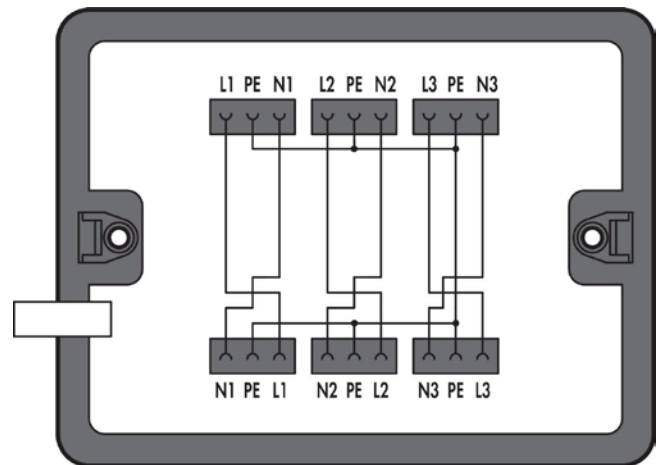
Supply cable entry

Number of outputs: 4 ▶ Coding: A



899-631/453-000

Number of outputs: 6 ▶ Coding: A



899-631/450-000

Description

Power supply is performed via 10-pole terminal strip.
Application example: blind drives control

Includes: one cable clamp and two mounting screws

Color	Item No.	PU
● black	899-631/453-000	1

Electrical data

Ratings per	IEC/EN 60664-1		
	III	III	II
Overvoltage category	III	III	II
Pollution degree	3	2	2
Nominal voltage	400 V	-	-
Rated surge voltage	6 kV	-	-
Rated current	16 A	-	-

Connection data

General data	
Internal wiring	1.5 mm ²
Connection 1	
Connection type 1	Input
Design	Terminal strip (260-110)
Connection 2	
Connection type	Output
Connector 2	MIDI socket, 4-pole (770-204)

Description

Power supply is performed directly via connectors using a 7-pole cable. Each phase of the 3-phase current are divided into two outputs. Power supply is performed to the left or to the right.

Includes: Two cable clamps and four mounting screws

Color	Item No.	PU
● black	899-631/450-000	1

Electrical data

Ratings per	IEC/EN 60664-1		
	III	III	II
Overvoltage category	III	III	II
Pollution degree	3	2	2
Nominal voltage	400 V	-	-
Rated surge voltage	6 kV	-	-
Rated current	25 A	-	-

Connection data

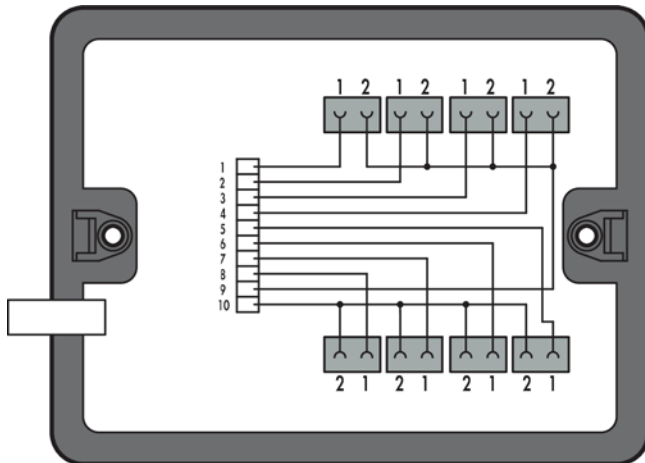
General data	
Internal wiring	4 mm ²
Connection 1	
Connection type 1	Input
Design	Supply cable entry
Connection 2	
Connection type	Output
Connector 2	MIDI socket, 3-pole (770-203)

7

Distribution Box ▶ WINSTA® ▶ 899 Series

Supply cable entry

Number of outputs: 8 ▶ Coding: B



899-631/454-000

Description

Power supply is performed via 10-pole terminal strip.

Application example:
Valves control

Includes: 1 cable clamp and 2 mounting screws

Color	Item No.	PU
● black	899-631/454-000	1

Electrical data

Ratings per	IEC/EN 60664-1		
Overvoltage category	III	III	II
Pollution degree	3	2	2
Nominal voltage	250 V	-	-
Rated surge voltage	4 kV	-	-
Rated current	6 A	-	-

Connection data

General data

Internal wiring 0.75 mm²

Connection 1

Connection type 1 Input

Design Terminal strip (260-110)

Connection 2

Connection type Output

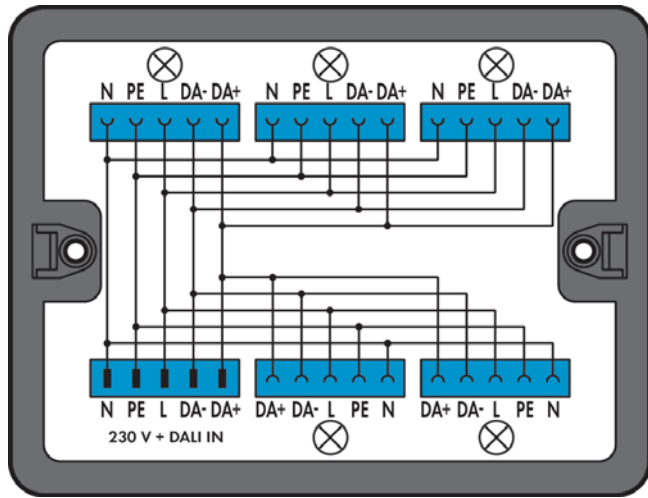
Connector 2 MINI socket, 2-pole (890-242)

PU = packaging unit; SPU = subpackaging unit; Dimensions in mm

Distribution Box ▶ WINSTA® ▶ 899 Series

DALI, Lighting Management

Number of inputs: 1 ▶ Number of outputs: 5 ▶ Coding: I



899-631/313-000

Description

This WINSTA® Distribution Box connects to 5-pole DALI lights. Both 230 V power supply and DALI bus for light scene control are combined into a single line.

Color	Item No.	PU
● black	899-631/313-000	1

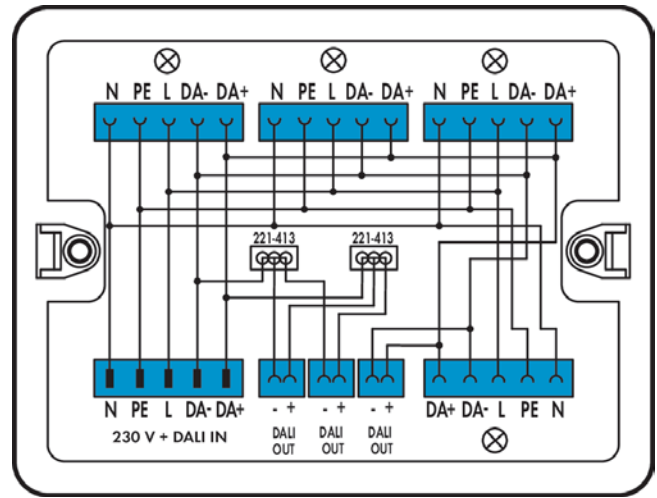
Electrical data

Ratings per	IEC/EN 60664-1		
Overvoltage category	III	III	II
Pollution degree	3	2	2
Nominal voltage	250 V	-	-
Rated surge voltage	4 kV	-	-
Rated current	25 A	-	-

Connection data

General data	
Internal wiring	2.5 mm ²
Connection 1	
Connection type 1	Input
Pluggable connector	MIDI plug, 5-pole (770-1115)
Connection 2	
Connection type	Output
Connector 2	MIDI socket, 5-pole (770-1105)

Number of inputs: 1 ▶ Number of outputs: 7 ▶ Coding: I



899-681/146-000

Description

This WINSTA® Distribution Box connects to 5-pole DALI lights. Both 230 V power supply and DALI bus for light scene control are combined into a single line. Additionally, three isolated DALI signals are available.

Color	Item No.	PU
○ white	899-681/146-000	1

Electrical data

Ratings per	IEC/EN 60664-1		
Overvoltage category	III	III	II
Pollution degree	3	2	2
Nominal voltage	400 V	-	-
Rated surge voltage	6 kV	-	-
Rated current	20 A	-	-

Ratings per

Ratings per	IEC/EN 60664-1		
Overvoltage category	III	III	II
Pollution degree	3	2	2
Nominal voltage	250 V	-	-
Rated surge voltage	4 kV	-	-
Rated current	16 A	-	-

Connection data

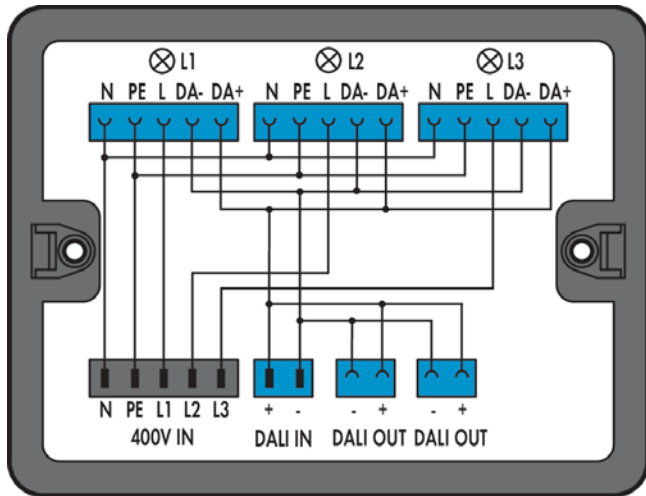
General data	
Internal wiring	2.5; 1.5 mm ²
Connection 1	
Connection type 1	Input
Pluggable connector	MIDI plug, 5-pole (770-1115)
Connection 2	
Connection type	Output
Connector 2	MIDI socket, 5-pole (770-1105)
Connection 3	
Connection type	Output
Connector 3	MINI socket, 2-pole (890-1102)

PU = packaging unit; SPU = subpackaging unit; Dimensions in mm

Distribution Box ▶ WINSTA® ▶ 899 Series

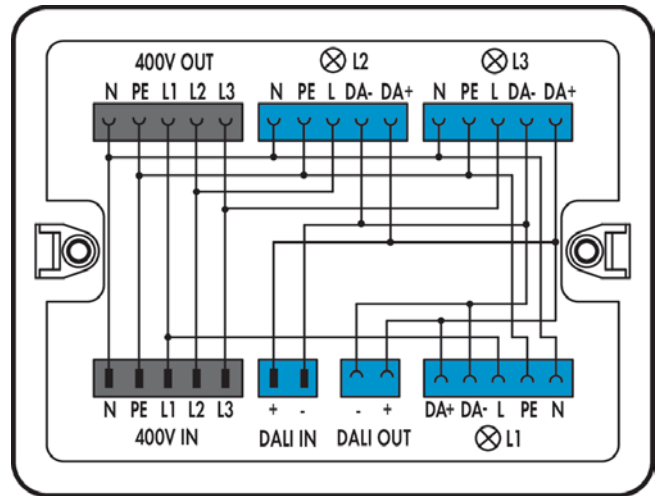
DALI, Lighting Management

Number of inputs: 2 ▶ Number of outputs: 5 ▶ Coding: A ▶ Coding 2: I



899-631/455-000

Number of inputs: 2 ▶ Number of outputs: 5 ▶ Coding: A ▶ Coding 2: I



899-681/147-000

Description

This WINSTA® Distribution Box combines the phases L1, L2 and L3 of the 3-phase current with the DALI signal (separate cable).

Color	Item No.	PU
● black	899-631/455-000	1

Electrical data

Ratings per	IEC/EN 60664-1		
Overvoltage category	III	III	II
Pollution degree	3	2	2
Nominal voltage	400 V	-	-
Rated surge voltage	6 kV	-	-
Rated current	20 A	-	-

Connection data

General data	
Internal wiring	1.5; 2.5 mm ²
Connection 1	
Connection type 1	Input
Pluggable connector	MIDI plug, 5-pole (770-215)
Connection 2	
Connection type	Output
Connector 2	MIDI socket, 5-pole (770-1105)
Connection 3	
Connection type	Input
Connector 3	MINI plug, 2-pole (890-1112)
Connection 4	
Connection type	Output
Connector 4	MINI socket, 2-pole (890-1102)

Description

This WINSTA® Distribution Box combines the L1, L2 and L3 phases of the 3-phase current with the DALI signal (separate cable).

Color	Item No.	PU
○ white	899-681/147-000	1

Electrical data

Ratings per	IEC/EN 60664-1		
Overvoltage category	III	III	II
Pollution degree	3	2	2
Nominal voltage	400 V	-	-
Rated surge voltage	6 kV	-	-
Rated current	20 A	-	-

Connection data

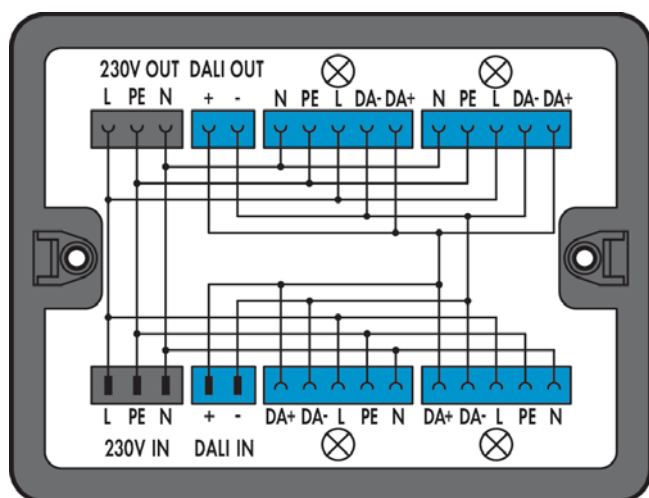
General data	
Internal wiring	2.5; 1.5 mm ²
Connection 1	
Connection type 1	Input
Pluggable connector	MIDI plug, 5-pole (770-215)
Connection 2	
Connection type	Output
Connector 2	MIDI socket, 5-pole (770-205)
Connection 3	
Connection type	Input
Connector 3	MINI plug, 2-pole (890-1112)
Connection 4	
Connection type	Output
Connector 4	MINI socket, 2-pole (890-1102)
Connection 5	
Connection type 5	Output
Connector 5	MIDI socket, 5-pole (770-1105)

PU = packaging unit; SPU = subpackaging unit; Dimensions in mm

Distribution Box ▶ WINSTA® ▶ 899 Series

DALI, Lighting Management

Number of inputs: 2 ▶ Number of outputs: 6 ▶ Coding: A ▶ Coding 2: I



899-631/181-000

Description

This WINSTA® Distribution Box connects to 5-pole DALI lights. Power supply is performed via two cables (230 V and DALI). Both cables are combined into four outputs.

Color	Item No.	PU
● black	899-631/181-000	1

Electrical data

Ratings per	IEC/EN 60664-1		
Overvoltage category	III	III	II
Pollution degree	3	2	2
Nominal voltage	250 V	-	-
Rated surge voltage	4 kV	-	-
Rated current	25 A	-	-

Connection data

General data

Internal wiring 1.5; 4 mm²

Connection 1

Connection type 1 Input
Pluggable connector MIDI plug, 3-pole (770-213)

Connection 2

Connection type Output
Connector 2 MIDI socket, 3-pole (770-203)

Connection 3

Connection type Input
Connector 3 MINI plug, 2-pole (890-1112)

Connection 4

Connection type Output
Connector 4 MINI socket, 2-pole (890-1102)

Connection 5

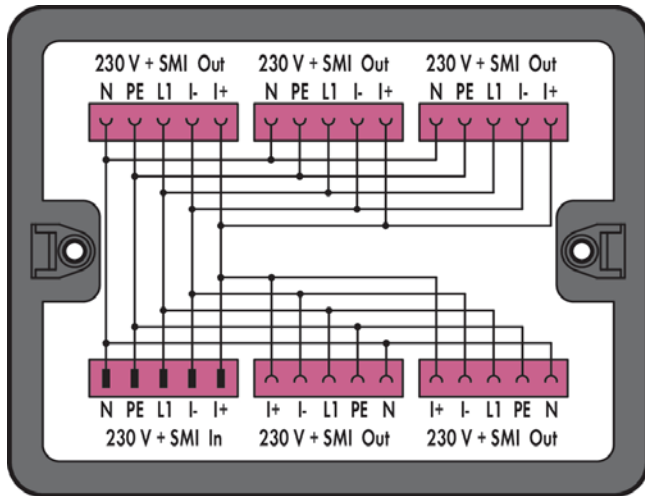
Connection type 5 Output
Connector 5 MIDI socket, 5-pole (770-1105)

PU = packaging unit; SPU = subpackaging unit; Dimensions in mm

Distribution Box ▶ WINSTA® ▶ 899 Series

SMI

Number of inputs: 1 ▶ Number of outputs: 5 ▶ Coding: B



899-631/421-000

Description

This WINSTA® Distribution Box connects to 5-pole SMI drives; 230 V power supply and SMI signal are combined into a single line.

Color	Item No.	PU
● black	899-631/421-000	1

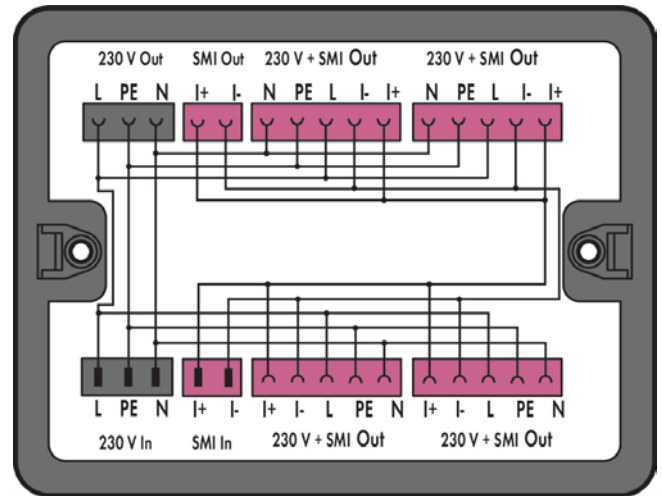
Electrical data

Ratings per	IEC/EN 60664-1		
Overvoltage category	III	III	II
Pollution degree	3	2	2
Nominal voltage	250 V	-	-
Rated surge voltage	4 kV	-	-
Rated current	20 A	-	-

Connection data

General data	
Internal wiring	1.5; 2.5 mm ²
Connection 1	
Connection type 1	Input
Pluggable connector	MIDI plug, 5-pole (770-295/080-000)
Connection 2	
Connection type	Output
Connector 2	MIDI socket, 5-pole (770-285/080-000)

Number of inputs: 2 ▶ Number of outputs: 6 ▶ Coding: A ▶ Coding 2: B



899-631/405-000

Description

This WINSTA® Distribution Box combines both single-phase circuit and SMI signal (separate cable) into four 5-pole output sockets.

Color	Item No.	PU
● black	899-631/405-000	1

Electrical data

Ratings per	IEC/EN 60664-1		
Overvoltage category	III	III	II
Pollution degree	3	2	2
Nominal voltage	250 V	-	-
Rated surge voltage	4 kV	-	-
Rated current	25 A	-	-

Connection data

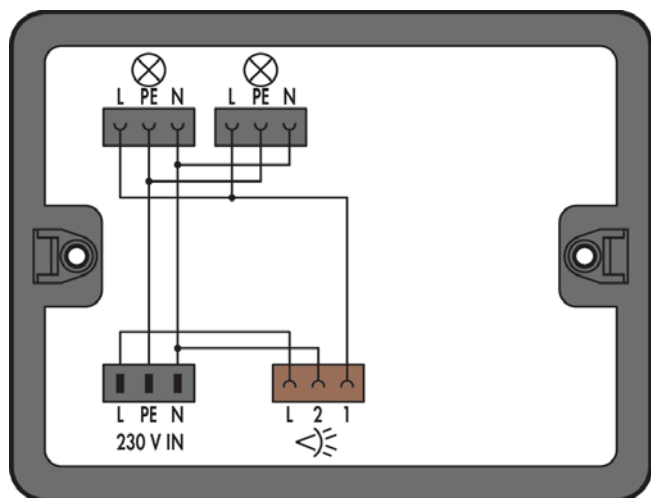
General data	
Internal wiring	1.5; 4 mm ²
Connection 1	
Connection type 1	Input
Pluggable connector	MIDI plug, 3-pole (770-213)
Connection 2	
Connection type	Output
Connector 2	MIDI socket, 3-pole (770-203)
Connection 3	
Connection type	Input
Connector 3	MINI plug, 2-pole (890-292/080-000)
Connection 4	
Connection type	Output
Connector 4	MINI socket, 2-pole (890-282/080-000)
Connection 5	
Connection type 5	Output
Connector 5	MIDI socket, 5-pole (770-285/080-000)

PU = packaging unit; SPU = subpackaging unit; Dimensions in mm

Distribution Box ▶ WINSTA® ▶ 899 Series

Motion and presence detector

Number of inputs: 1 ▶ Number of outputs: 3 ▶ Coding: A ▶ Coding 2: S



899-631/309-000

Description

This WINSTA® Distribution Box connects to one motion detector and two lights.

Color	Item No.	PU
● black	899-631/309-000	1

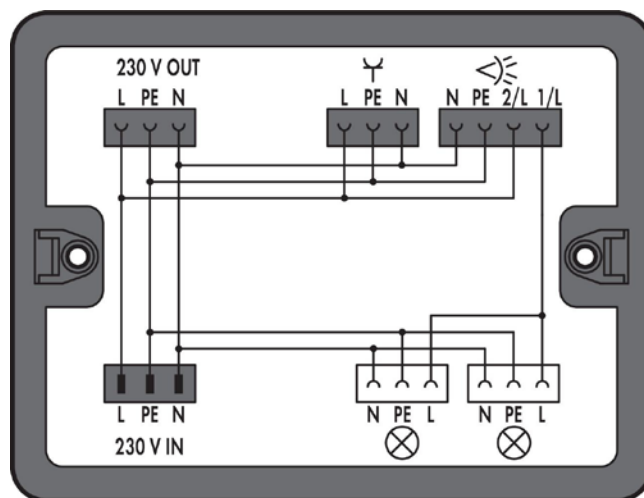
Electrical data

Ratings per	IEC/EN 60664-1		
Overvoltage category	III	III	II
Pollution degree	3	2	2
Nominal voltage	250 V	-	-
Rated surge voltage	4 kV	-	-
Rated current	25 A	-	-

Connection data

General data	
Internal wiring	4 mm ²
Connection 1	
Connection type 1	Input
Pluggable connector	MIDI plug, 3-pole (770-213)
Connection 2	
Connection type	Output
Connector 2	MIDI socket, 3-pole (770-203)
Connection 3	
Connection type	Output
Connector 3	MIDI socket, 3-pole (770-1363)

Number of inputs: 1 ▶ Number of outputs: 5 ▶ Coding: A



899-631/180-000

Description

This WINSTA® Distribution Box connects to one motion detector, two lights and one outlet.

Color	Item No.	PU
● black	899-631/180-000	1

Electrical data

Ratings per	IEC/EN 60664-1		
Overvoltage category	III	III	II
Pollution degree	3	2	2
Nominal voltage	250 V	-	-
Rated surge voltage	4 kV	-	-
Rated current	25 A	-	-

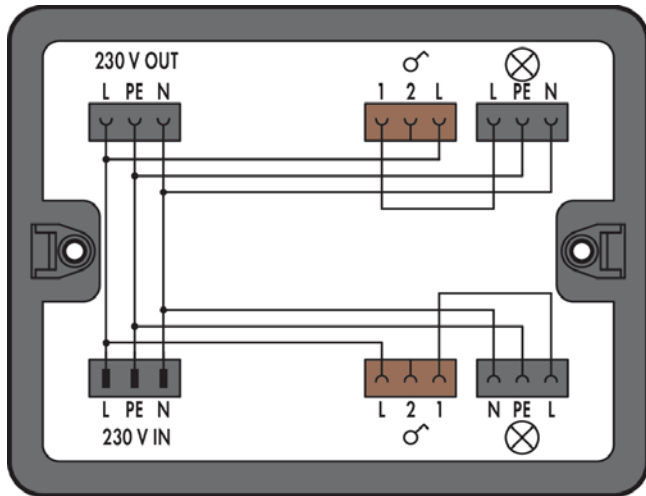
Connection data

General data	
Internal wiring	4 mm ²
Connection 1	
Connection type 1	Input
Pluggable connector	MIDI plug, 3-pole (770-213)
Connection 2	
Connection type	Output
Connector 2	MIDI socket, 3-pole (770-203)
Connection 3	
Connection type	Output
Connector 3	MIDI socket, 3-pole (770-223)
Connection 4	
Connection type	Output
Connector 4	MIDI socket, 4-pole (770-204)

Distribution Box ▶ WINSTA® ▶ 899 Series

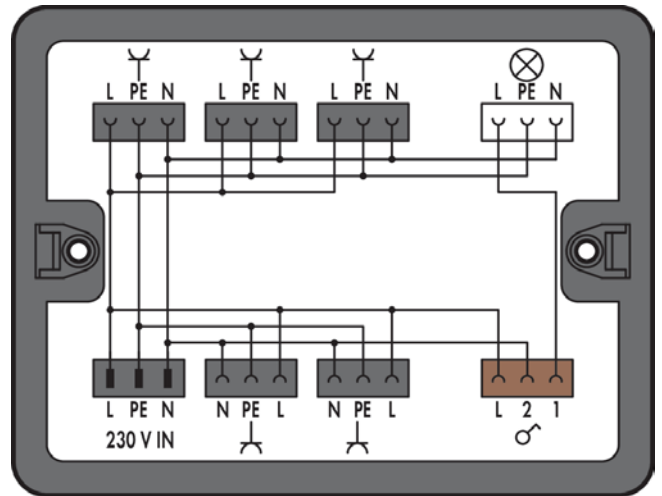
Single-pole switch circuit

Number of inputs: 1 ▶ Number of outputs: 5 ▶ Coding: A ▶ Coding 2: S



899-631/363-000

Number of inputs: 1 ▶ Number of outputs: 7



899-631/478-000

Description

This WINSTA® Distribution Box features two on/off switches for one light each.

Color	Item No.	PU
● black	899-631/363-000	1

Electrical data

Ratings per	IEC/EN 60664-1		
Overvoltage category	III	III	II
Pollution degree	3	2	2
Nominal voltage	250 V	-	-
Rated surge voltage	4 kV	-	-
Rated current	25 A	-	-

Connection data

General data	
Internal wiring	4 mm ²
Connection 1	
Connection type 1	Input
Pluggable connector	MIDI plug, 3-pole (770-213)
Connection 2	
Connection type	Output
Connector 2	MIDI socket, 3-pole (770-203)
Connection 3	
Connection type	Output
Connector 3	MIDI socket, 3-pole (770-1363)

Description

This WINSTA® Box features one on/off switch for five power outlets and one light.

The distribution box is fitted on a mounting plate (770-680).

Color	Item No.	PU
● black	899-631/478-000	1

Electrical data

Ratings per	IEC/EN 60664-1		
Overvoltage category	III	III	II
Pollution degree	3	2	2
Nominal voltage	250 V	-	-
Rated surge voltage	4 kV	-	-
Rated current	25 A	-	-

Connection data

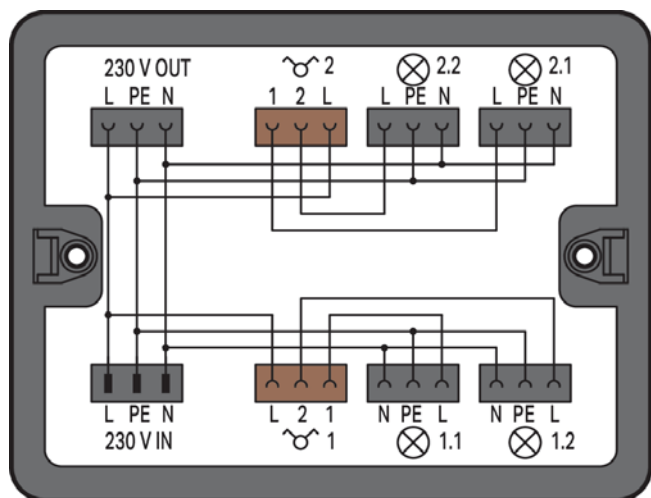
General data	
Internal wiring	2.5 mm ²
Connection 1	
Connection type 1	Input
Pluggable connector	MIDI plug, 3-pole (770-213)
Connection 2	
Connection type	Output
Connector 2	MIDI socket, 3-pole (770-203)
Connection 3	
Connection type	Output
Connector 3	MIDI socket, 3-pole (770-223)
Connection 4	
Connection type	Output
Connector 4	MIDI socket, 3-pole (770-1363)

PU = packaging unit; SPU = subpackaging unit; Dimensions in mm

Distribution Box ▶ WINSTA® ▶ 899 Series

Series circuit

Number of inputs: 1 ▶ Number of outputs: 7 ▶ Coding: A ▶ Coding 2: S



899-631/386-000

Description

This WINSTA® Distribution Box features two series switches with pluggable connectors.

Color	Item No.	PU
● black	899-631/386-000	1

Electrical data

Ratings per	IEC/EN 60664-1		
Overvoltage category	III	III	II
Pollution degree	3	2	2
Nominal voltage	250 V	-	-
Rated surge voltage	4 kV	-	-
Rated current	25 A	-	-

Connection data

General data

Internal wiring 4 mm²

Connection 1

Connection type 1 Input
Pluggable connector MIDI plug, 3-pole (770-213)

Connection 2

Connection type Output
Connector 2 MIDI socket, 3-pole (770-203)

Connection 3

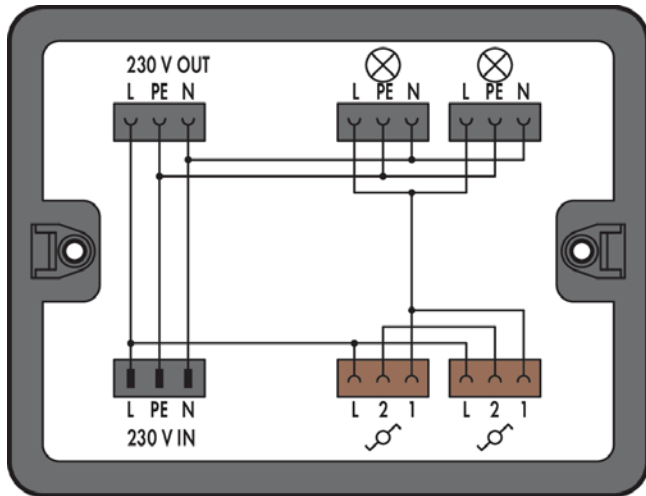
Connection type Output
Connector 3 MIDI socket, 3-pole (770-1363)

PU = packaging unit; SPU = subpackaging unit; Dimensions in mm

Distribution Box ▶ WINSTA® ▶ 899 Series

Two-way circuit

Number of inputs: 1 ▶ Number of outputs: 5 ▶ Coding: A ▶ Coding 2: S



899-631/308-000

Description

This WINSTA® Distribution Box features two economy changeover switches for two lights.

Color	Item No.	PU
● black	899-631/308-000	1

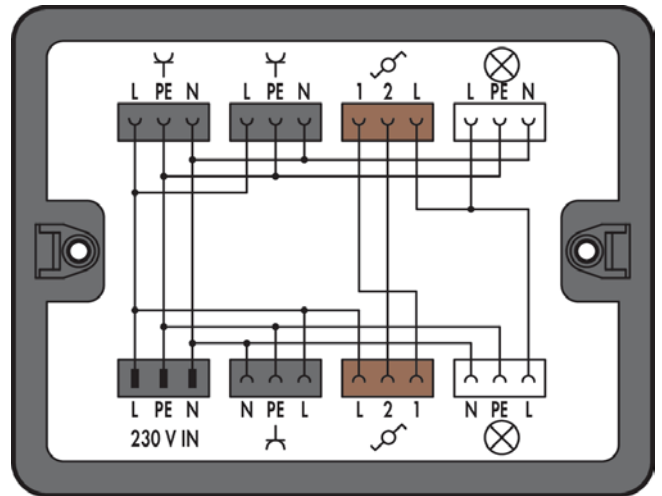
Electrical data

Ratings per	IEC/EN 60664-1		
Overvoltage category	III	III	II
Pollution degree	3	2	2
Nominal voltage	250 V	-	-
Rated surge voltage	4 kV	-	-
Rated current	25 A	-	-

Connection data

General data	
Internal wiring	4 mm ²
Connection 1	
Connection type 1	Input
Pluggable connector	MIDI plug, 3-pole (770-213)
Connection 2	
Connection type	Output
Connector 2	MIDI socket, 3-pole (770-203)
Connection 3	
Connection type	Output
Connector 3	MIDI socket, 3-pole (770-1363)

Number of inputs: 1 ▶ Number of outputs: 7 ▶ Coding: A ▶ Coding 2: S



899-631/189-000

Description

This WINSTA® Distribution Box features two changeover switches and connects to three power outlets.

Color	Item No.	PU
● black	899-631/189-000	1

Electrical data

Ratings per	IEC/EN 60664-1		
Overvoltage category	III	III	II
Pollution degree	3	2	2
Nominal voltage	250 V	-	-
Rated surge voltage	4 kV	-	-
Rated current	25 A	-	-

Connection data

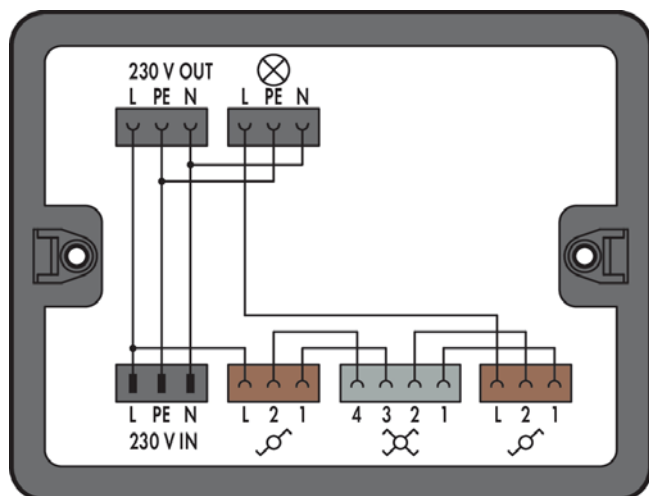
General data	
Internal wiring	4 mm ²
Connection 1	
Connection type 1	Input
Pluggable connector	MIDI plug, 3-pole (770-213)
Connection 2	
Connection type	Output
Connector 2	MIDI socket, 3-pole (770-203)
Connection 3	
Connection type	Output
Connector 3	MIDI socket, 3-pole (770-223)
Connection 4	
Connection type	Output
Connector 4	MIDI socket, 3-pole (770-1363)

PU = packaging unit; SPU = subpackaging unit; Dimensions in mm

Distribution Box ▶ WINSTA® ▶ 899 Series

Cross circuit

Number of inputs: 1 ▶ Number of outputs: 5 ▶ Coding: A ▶ Coding 2: B ▶ Coding 3: S



899-631/305-000

Description

This WINSTA® Distribution Box features one crossover switch.

Color	Item No.	PU
● black	899-631/305-000	1

Electrical data

Ratings per	IEC/EN 60664-1		
Overvoltage category	III	III	II
Pollution degree	3	2	2
Nominal voltage	250 V	-	-
Rated surge voltage	4 kV	-	-
Rated current	25 A	-	-

Connection data

General data

Internal wiring 4 mm²

Connection 1

Connection type 1 Input

Pluggable connector MIDI plug, 3-pole (770-213)

Connection 2

Connection type Output

Connector 2 MIDI socket, 3-pole (770-203)

Connection 3

Connection type Output

Connector 3 MIDI socket, 3-pole (770-1363)

Connection 4

Connection type Output

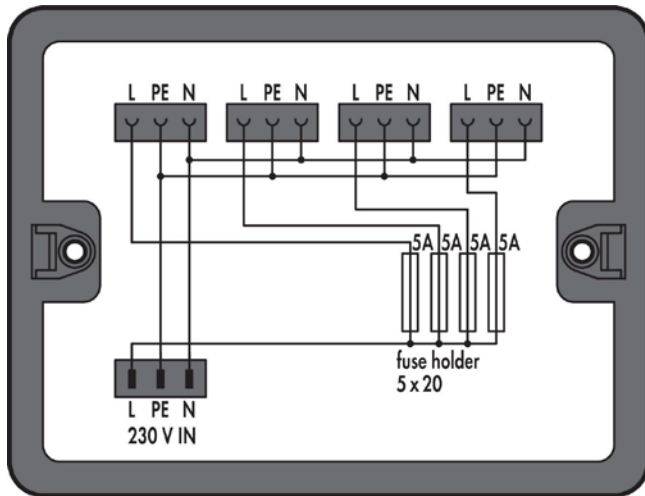
Connector 4 MIDI socket, 4-pole (770-244)

PU = packaging unit; SPU = subpackaging unit; Dimensions in mm

Distribution Box ▶ WINSTA® ▶ 899 Series

Cable and device protection

Number of inputs: 1 ▶ Number of outputs: 4 ▶ Coding: A



899-631/315-000

Description

This WINSTA® Distribution Box protects four components within a device (5 x 20 mm fuse holder).

Power supply is performed using a 3-pole connecting cable.

Color	Item No.	PU
● black	899-631/315-000	1

Electrical data

Ratings per	IEC/EN 60664-1		
Overvoltage category	III	III	II
Pollution degree	3	2	2
Nominal voltage	250 V	-	-
Rated surge voltage	4 kV	-	-
Rated current	5 A	-	-

Connection data

General data

Internal wiring 2.5 mm²

Connection 1

Connection type 1 Input

Pluggable connector MIDI plug, 3-pole (770-213)

Connection 2

Connection type Output

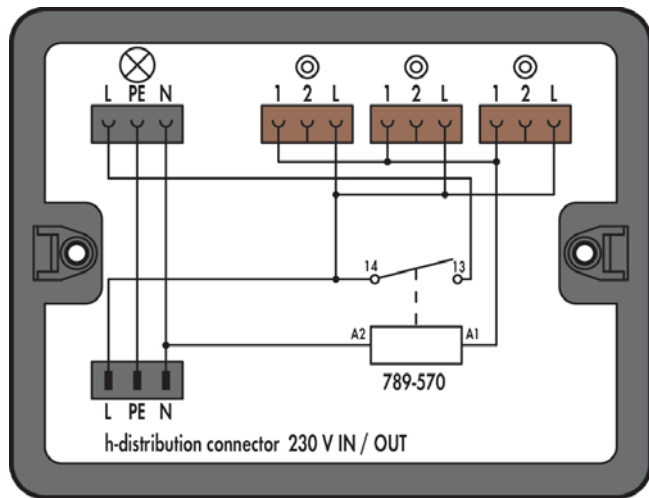
Connector 2 MIDI socket, 3-pole (770-203)

PU = packaging unit; SPU = subpackaging unit; Dimensions in mm

Distribution Box ▶ WINSTA® ▶ 899 Series

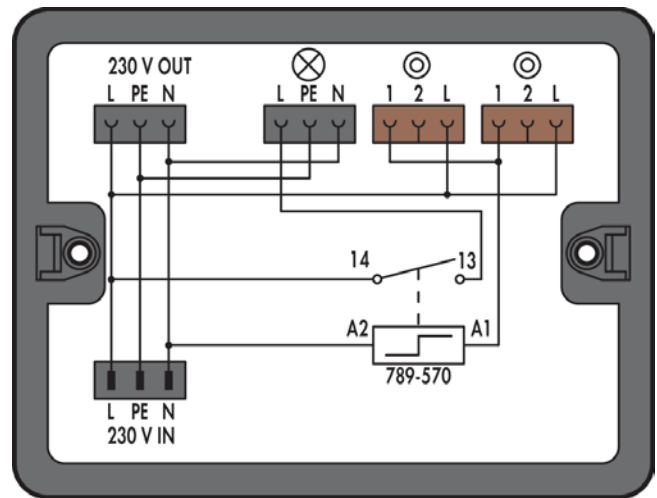
Latching relay

Number of inputs: 1 ▶ Number of outputs: 4 ▶ Coding: A ▶ Coding 2: S



899-632/101-000

Number of inputs: 1 ▶ Number of outputs: 4 ▶ Coding: A ▶ Coding 2: S



899-632/138-000

Description

This WINSTA® Distribution Box features one latching relay (three push-buttons, one light). Power supply (230 V, through wiring) is performed using the provided h-distribution connector.

Includes: One 770-633 h-Distribution Connector

Color	Item No.	PU
● black	899-632/101-000	1

Electrical data

Ratings per	IEC/EN 60664-1		
	III	III	II
Overvoltage category	III	III	II
Pollution degree	3	2	2
Nominal voltage	250 V	-	-
Rated surge voltage	4 kV	-	-
Rated current	20 A	-	-

Connection data

General data	
Internal wiring	2.5 mm ²
Connection 1	
Connection type 1	Input
Pluggable connector	MIDI plug, 3-pole (770-213)
Connection 2	
Connection type	Output
Connector 2	MIDI socket, 3-pole (770-203)
Connection 3	
Connection type	Output
Connector 3	MIDI socket, 3-pole (770-1363)

Description

This WINSTA® Distribution Box features one latching relay (two push-buttons, one light).

Color	Item No.	PU
● black	899-632/138-000	1

Electrical data

Ratings per	IEC/EN 60664-1		
	III	III	II
Overvoltage category	III	III	II
Pollution degree	3	2	2
Nominal voltage	250 V	-	-
Rated surge voltage	4 kV	-	-
Rated current	25 A	-	-

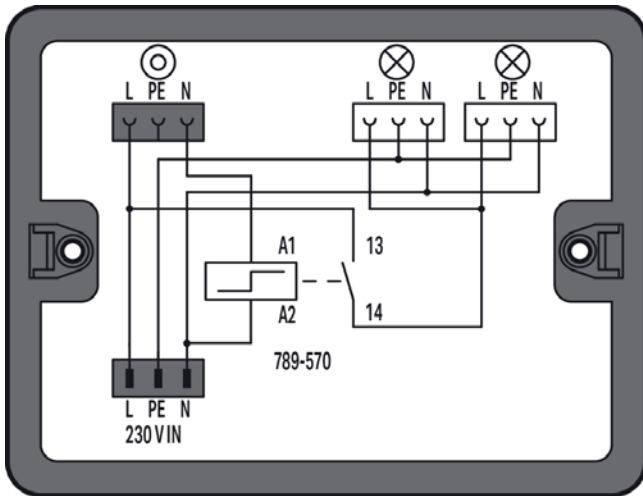
Connection data

General data	
Internal wiring	2.5; 4 mm ²
Connection 1	
Connection type 1	Input
Pluggable connector	MIDI plug, 3-pole (770-213)
Connection 2	
Connection type	Output
Connector 2	MIDI socket, 3-pole (770-203)
Connection 3	
Connection type	Output
Connector 3	MIDI socket, 3-pole (770-1363)

Distribution Box ▶ WINSTA® ▶ 899 Series

Latching relay

Number of inputs: 2 ▶ Number of outputs: 2 ▶ Coding: A



899-632/103-000

Description

This WINSTA® Box features a latching relay with one push-button and two lights.

Color	Item No.	PU
● black	899-632/103-000	1

Electrical data

Ratings per	IEC/EN 60664-1		
Overvoltage category	III	III	II
Pollution degree	3	2	2
Nominal voltage	250 V	-	-
Rated surge voltage	4 kV	-	-
Rated current	16 A	-	-

Connection data

General data

Internal wiring 2.5 mm²

Connection 1

Connection type 1 Input
Pluggable connector MIDI plug, 3-pole (770-213)

Connection 2

Connection type Input
Connector 2 MIDI socket, 3-pole (770-203)

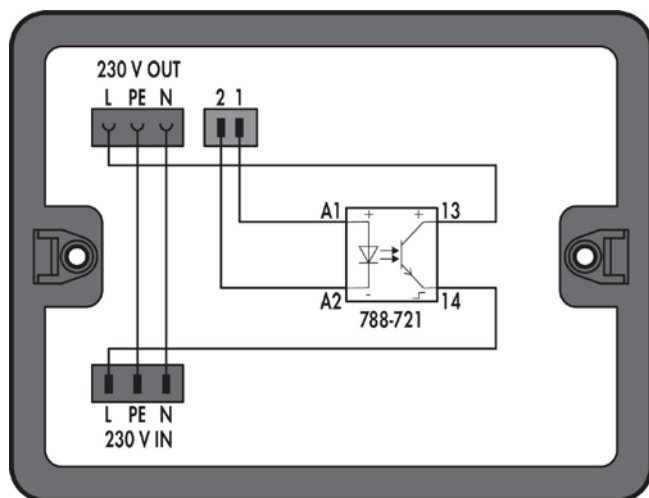
Connection 3

Connection type Output
Connector 3 MIDI socket, 3-pole (770-223)

Distribution Box ▶ WINSTA® ▶ 899 Series

Relay switching

Number of inputs: 2 ▶ Number of outputs: 1 ▶ Coding: A ▶ Coding 2: B



899-632/102-000

Description

This WINSTA® Box features one solid-state relay and switches 230 V at the zero cross.

Color	Item No.	PU
● black	899-632/102-000	1

Electrical data

Ratings per	IEC/EN 60664-1		
Overvoltage category	III	III	II
Pollution degree	3	2	2
Nominal voltage	250 V	-	-
Rated surge voltage	4 kV	-	-
Rated current	4 A	-	-

Connection data

General data

Internal wiring 1.5 mm²

Connection 1

Connection type 1 Input
Pluggable connector MIDI plug, 3-pole (770-213)

Connection 2

Connection type Output
Connector 2 MIDI socket, 3-pole (770-203)

Connection 3

Connection type Input
Connector 3 MINI plug, 2-pole (890-252)

Distribution Box ▶ WINSTA® ▶ 899 Series

Self-assembly

Standard

with integrated DIN-rail



899-631

899-632

Description

Diese WINSTA®-Verteilerbox ist zur individuellen Bestückung und Verdrahtung vorbereitet und besteht aus:

1 Untergehäuse, 1 Obergehäuse, 2 Seitenwänden und 16 MIDI-Befestigungsstiften.

Damit die Anschlussleitungen problemlos gesteckt werden können, dürfen die Steckverbinder in der Verteilerbox nicht direkt nebeneinander angeordnet werden.

Color	Item No.	PU
● black	899-631	1
○ white	899-681	1

No data found [899-631]

Description

Diese WINSTA®-Verteilerbox ist zur individuellen Verdrahtung mit einem Elektronikbaustein (1 Teilungseinheit auf Tragschiene 35) geeignet und besteht aus:

1 Untergehäuse, 1 Obergehäuse, 1 Seitenwand, 1 Seitenwand mit Tragschiene 35 und 10 MIDI-Befestigungsstiften.

Damit die Anschlussleitungen problemlos gesteckt werden können, dürfen die Steckverbinder in der Verteilerbox nicht direkt nebeneinander angeordnet werden.








Color	Item No.	PU
● black	899-632	1
○ white	899-682	1

No data found [899-632]



WAGO Accessories and WAGO Tools

WAGO Accessories and WAGO Tools

	Page
	WINSTA® MINI; 890 Series Accessories 368
	WINSTA® MIDI; 770 Series Accessories 373
	WINSTA® RD; 774 Series Accessories 386
	WINSTA® Boxes; 899 Series Accessories 387
	WINSTA® IDC; 772, 895 and 897 Series Accessories 388
	Tools
	Operating Tools 394
	Screw Drivers 396
	Wire strippers 398
	Stripping Pliers, Cable Cutters, Stripping Knives 399
	Cable cutters, Wiring Aid 400
	Marking
	Markers 401
	Self-Adhesive Marking Strips 401

Accessories ▶ WINSTA® MINI ▶ 890, 891 Series



Locking lever; for flying leads; manually operated		
Color	Item No.	PU (SPU)
black	890-101	100(50)
white	890-121	100(50)

Mounting carrier; 2- to 5-pole; for flying leads		
Color	Item No.	PU
black	890-310	100
white	890-311	100

Lockout cap; for cutout; 2-pole		
Color	Item No.	PU
black	890-642	100
white	890-692	100



Lockout cap; for cutout; 3-pole		
Color	Item No.	PU
black	890-643	100
white	890-693	100

Lockout cap; for cutout; 4-pole		
Color	Item No.	PU
black	890-644	100
white	890-694	100

Locking lever; for flying leads; tool operated		
Color	Item No.	PU (SPU)
black	890-111	100(50)
white	890-131	100(50)

Lockout cap; for cutout; 5-pole		
Color	Item No.	PU
black	770-643	100
white	770-693	100

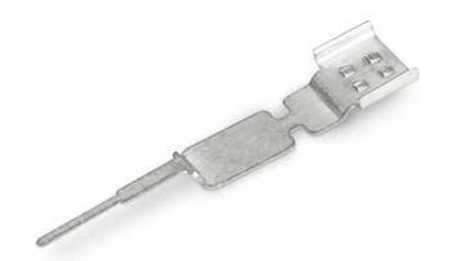


All connectors for mounted installations (snap-in versions, pluggable PCB connectors, distribution connectors) are factory-equipped with locking levers to ensure plugs and sockets are securely locked. Additional locking levers are only required for "flying leads" (plug/socket).

Locking connector via integrated lever.
Locking second connector for a secure connection.

Seal unused cutout with lockout cap.

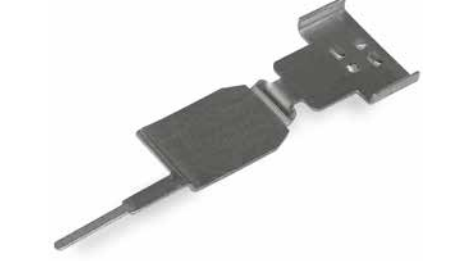
Accessories ▶ WINSTA® MINI ▶ 890 Series



Shield connecting plate; for 3-pole plugs and sockets		
Color	Item No.	PU
silver-colored	890-523	50



Shield connecting plate; for socket; 4-pole		
Color	Item No.	PU
silver-colored	890-524	50



Shield connecting plate; for socket; 5-pole		
Color	Item No.	PU
silver-colored	890-526	50



Shield connecting plate; for plug; 4-pole		
Color	Item No.	PU
silver-colored	890-525	50



Shield connecting plate; for plug; 5-pole		
Color	Item No.	PU
silver-colored	890-527	50



Connector with shield termination

Accessories ▶ WINSTA® MINI ▶ 890 / 891 Series



Mounting plate for distribution connector; 2-pole

Color	Item No.	PU
black	890-1622	100
white	890-1672	100

Mounting pin; for mounting plates;
5 mm Ø; 0.2 ... 1.2 mm plate thickness

Color	Item No.	PU
black	890-601	250

Protective cap; type 1;
for 890 series: 2- and 3-pole
for 891 series: 2- and 3-pole

Color	Item No.	PU
red	897-2001	25

Mounting plate; for distribution connector; 3-pole

Color	Item No.	PU
black	890-623	100
white	890-673	100

Mounting plate; for distribution connector; 4-pole

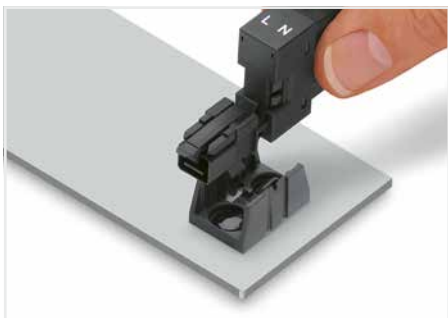
Color	Item No.	PU
black	890-624	50
white	890-674	50

Mounting plate; for distribution connector; 5-pole

Color	Item No.	PU
black	890-625	50
white	890-675	50

Protective cap; type 2;
for 890 series: 4- and 5-pole
for 891 series: 4- and 5-pole

Color	Item No.	PU
red	897-2003	25



The distribution connectors snap together when attached to the mounting plate.



Secure the mounting plate via pins.

Accessories ▶ WINSTA® MINI ▶ 890 Series

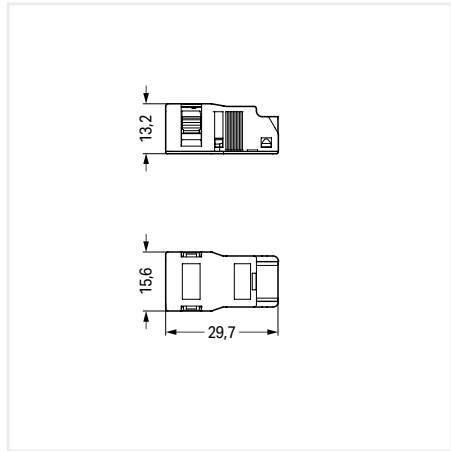
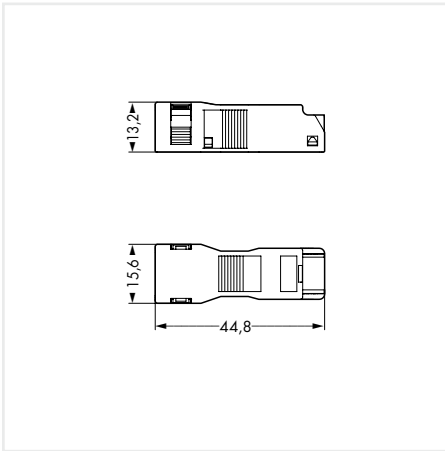


Strain relief housing;
for 3.8 ... 8.2 mm cable diameter; 32 mm strip length

Color	Item No.	PU
black	890-502	50
white	890-512	50

Strain relief housing; short;
for 3.8 ... 8.2 mm cable diameter; 17.5 mm strip length

Color	Item No.	PU
black	890-502/342-000	50
white	890-512/342-000	50



PU = Packaging Unit; SPU = Subpackaging Unit; Dimensions in mm

Accessories ▶ WINSTA® MINI ▶ 890 Series



Strain relief housing; for 4.5 ... 10 mm cable diameter; 40 mm strip length

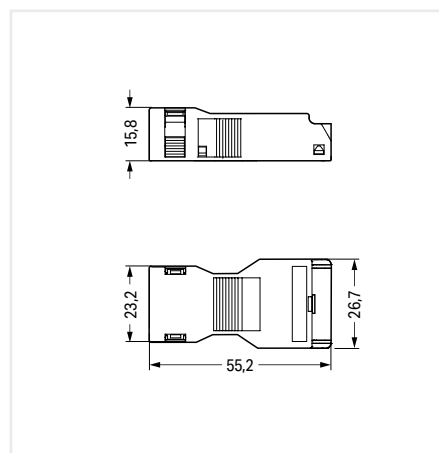
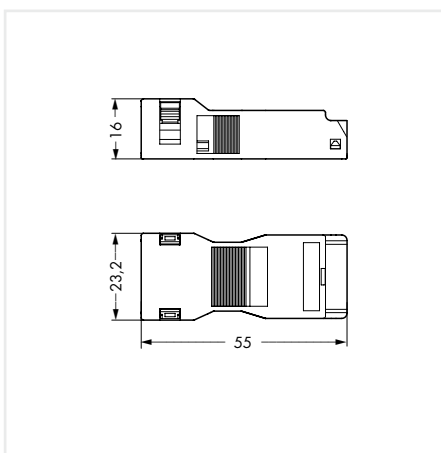
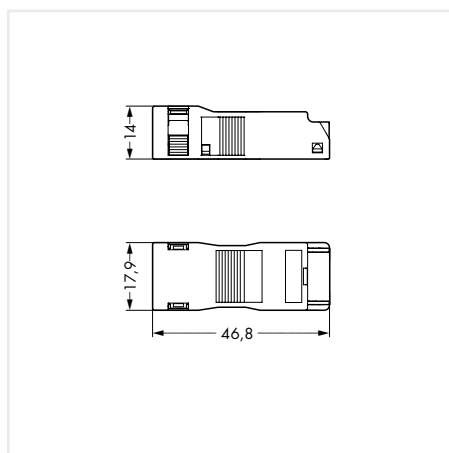
Color	Item No.	PU
black	890-503	50
white	890-513	50

Strain relief housing; for 6.5 ... 10.5 mm cable diameter; 45 mm strip length

Color	Item No.	PU
black	890-504	50
white	890-514	50

Strain relief housing; for 6.5 ... 10.5 mm cable diameter; 45 mm strip length

Color	Item No.	PU
black	890-505	50
white	890-515	50



Accessories ▶ WINSTA® MIDI ▶ 770, 771 Series



Locking lever; for flying leads; manually operated

Color	Item No.	PU (SPU)
black	770-101	100(25)
white	770-121	100(25)



Locking lever, manually operated:

- Push on locking lever
- Pull the connectors apart



Locking lever; oversized; tool operated

Color	Item No.	PU (SPU)
gray	770-140	100(25)



Snap-in connector with protruding locking lever



Coding pin; for plug (A- and B-coding)

Color	Item No.	PU
gray	770-401	100

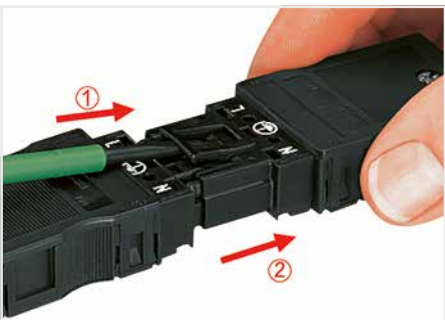


Insert coding pin into the plug.



Locking lever; for flying leads; tool operated

Color	Item No.	PU (SPU)
black	770-111	100(25)
white	770-131	100(25)



Locking lever, tool operated:

- Unlatch locking lever
- Pull the connectors apart

PU = Packaging Unit; SPU = Subpackaging Unit; Dimensions in mm

Accessories ▶ WINSTA® MIDI ▶ 770, 771 Series



Mounting carrier; 2- to 5-pole; for flying leads		
Color	Item No.	PU
black	770-310	100



Lockout cap; for socket; separable; 12-pole		
Color	Item No.	PU
black	770-201	100
white	770-221	100



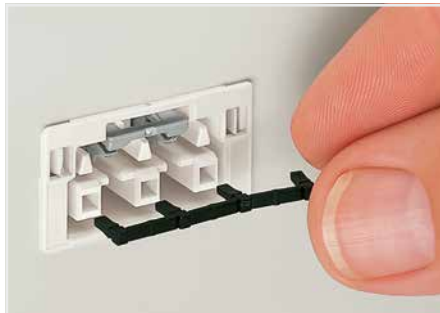
Lockout cap; for cutout; 3-pole		
Color	Item No.	PU
black	770-643	100
white	770-693	100



Lockout cap; for cutout; 4-pole		
Color	Item No.	PU
black	770-644	100
white	770-694	100

Lockout cap; for cutout; 5-pole		
Color	Item No.	PU
black	770-645	100
white	770-695	100

Lockout cap; for plug; separable; 5-pole		
Color	Item No.	PU
gelb	770-360	100



Seal an unmated socket by simply inserting a lockout cap. This prevents the smallest particles from entering the socket.



Seal unused cutout with lockout cap.

Accessories ▶ WINSTA® MIDI ▶ 770 Series



Protective cap; type 2;
for 770 series: 2-pole
for 771 series: 2- and 3-pole

Color	Item No.	PU
red	897-2003	25



Mounting plate for distribution connector; 2-pole

Color	Item No.	PU
black	770-1626	25
white	770-1627	25



Mounting pin; for mounting plates; 6 mm Ø; 1 ... 2.5 mm plate thickness

Color	Item No.	PU
black	770-601	250



Protective cap; type 4;
for 770 series: 4- and 5-pole
for 771 series: 5-pole

Color	Item No.	PU
red	897-2005	25

Mounting plate; for distribution connector; 3-pole

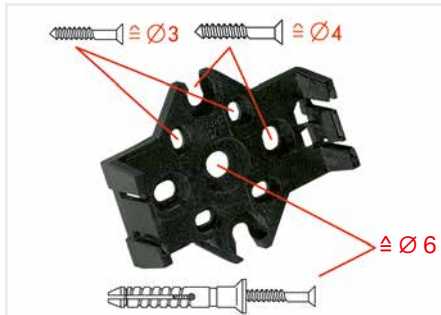
Color	Item No.	PU
black	770-623	25
white	770-673	25

Mounting plate; for distribution connector; 4-pole

Color	Item No.	PU
black	770-624	25
white	770-674	25

Mounting plate; for distribution connector; 5-pole

Color	Item No.	PU
black	770-625	25
white	770-675	25



Mounting plates can be secured using commercially available screws or nail-drive anchors.



The mounting plate can be centrally mounted, or attached via outboard attachment points using 770-601 Mounting Pins.

Accessories ▶ WINSTA® MIDI ▶ 770 Series

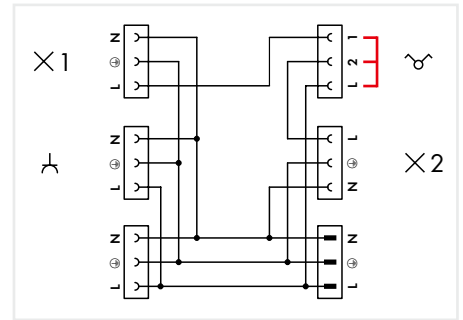
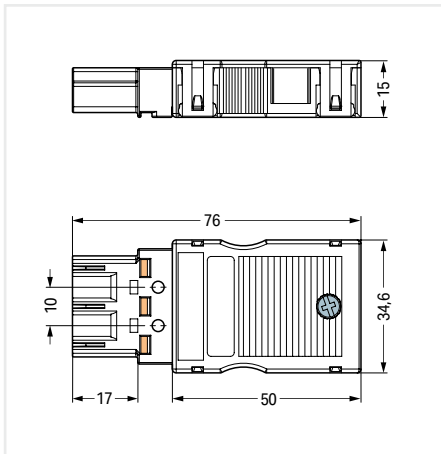
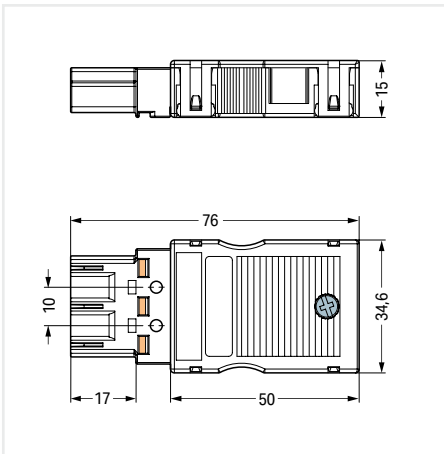


Shorting plug; S-coding; brown plug with assembled strain relief housing and bridge

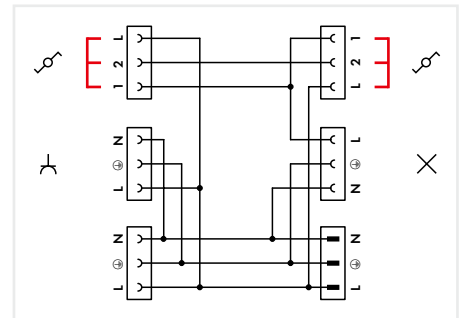
Color/Marking	Item No.	PU
	770-1373/146-000	50
	770-1373/147-000	50
	770-1373/148-000	50
	770-1373/149-000	50

Shorting plug; A-coding; black plug with assembled strain relief housing and bridge

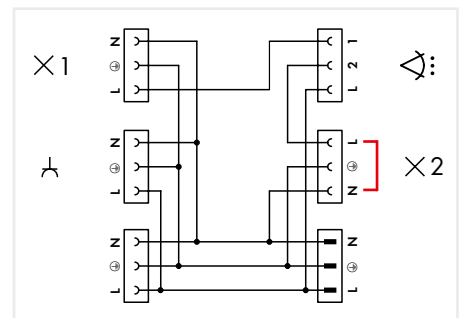
Color/Marking	Item No.	PU
	770-113/147-000	50



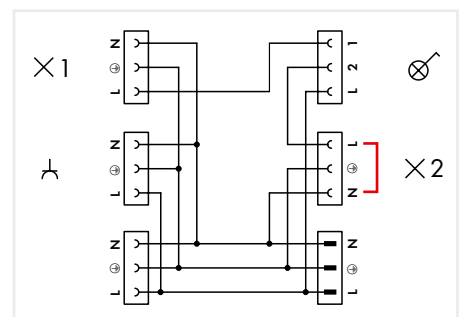
Internal circuit of 770-637 Distribution Connector with possible insertion position of 770-1373/14x-000 Shorting Plug.



Internal circuit of 770-638 Distribution Connector with possible insertion positions of 770-1373/14x-000 Shorting Plug.



Internal circuit of 770-637 Distribution Connector with insertion position of 770-113/147-000 Shorting Plug for connecting a motion sensor.



Internal circuit of 770-637 Distribution Connector with insertion position of 770-113/147-000 Shorting Plug for connecting a switch with control lamp.

Accessories ▶ WINSTA® MIDI ▶ 770 Series



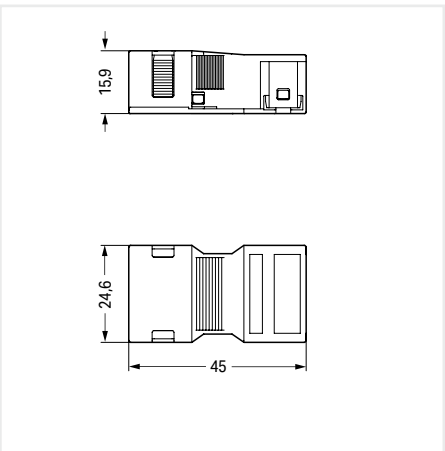
Shield connecting plate; for 3-pole plugs and sockets

Color	Item No.	PU
silver-colored	770-523	25



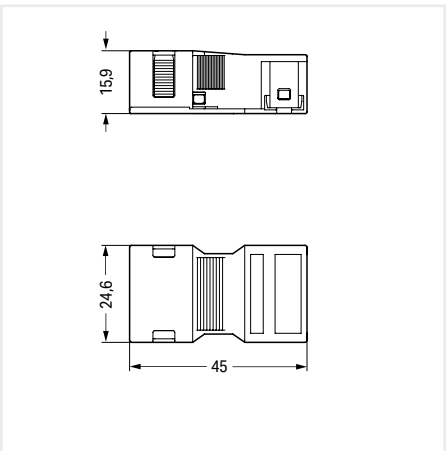
Strain relief housing; for one cable; 5 ... 9 mm cable diameter; 35 mm strip length

Color	Item No.	PU
black	770-502/042-000	50
white	770-512/042-000	50



Strain relief housing; for one cable; 7 ... 10.5 mm cable diameter; 35 mm strip length

Color	Item No.	PU
black	770-502/041-000	50
white	770-512/041-000	50



Shield connecting plate; for 5-pole sockets; for two cables

Color	Item No.	PU
silver-colored	770-526	25



Shield connecting plate; for 5-pole plugs; for two cables

Color	Item No.	PU
silver-colored	770-527	25



Connector with shield termination

PU = Packaging Unit; SPU = Subpackaging Unit; Dimensions in mm

Accessories ▶ WINSTA® MIDI ▶ 770 Series 3-Pole



Strain relief housing; for two cables;
for 4.5 ... 8 mm cable diameter; 55 mm strip length

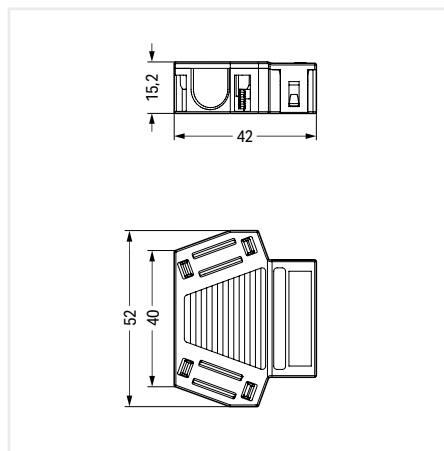
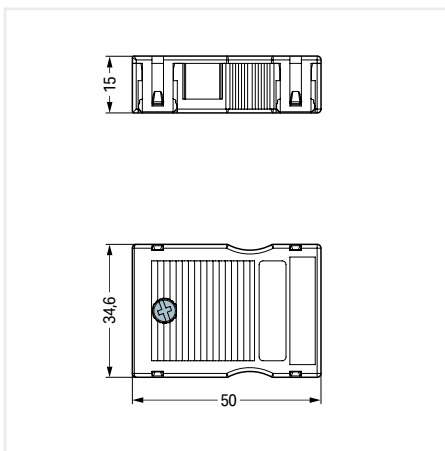
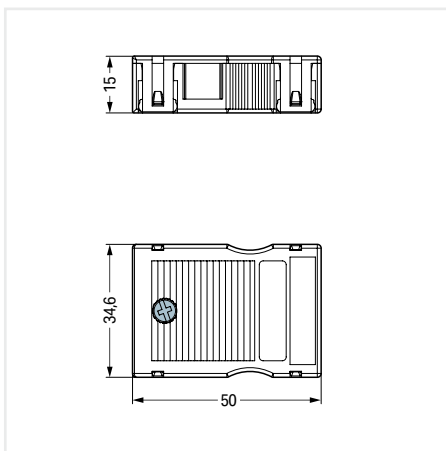
Color	Item No.	PU
black	770-503/023-000	50
white	770-513/023-000	50

Strain relief housing; for two cables;
for 8 ... 11.5 mm cable diameter; 55 mm strip length

Color	Item No.	PU
black	770-503	50
white	770-513	50

Strain relief housing; angled; for two cables;
for 8 ... 11.5 mm cable diameter; 55 mm strip length

Color	Item No.	PU
black	770-503/032-000	25
white	770-513/032-000	25



Accessories ▶ WINSTA® MIDI ▶ 770 Series 3-Pole



Strain relief housing; for 4 mm² cables; for one cable; 9 ... 13 mm cable diameter; 71 mm strip length

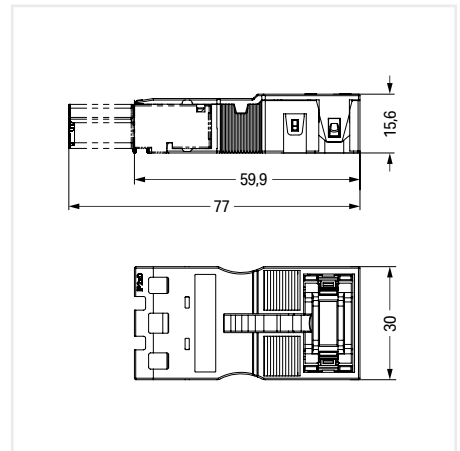
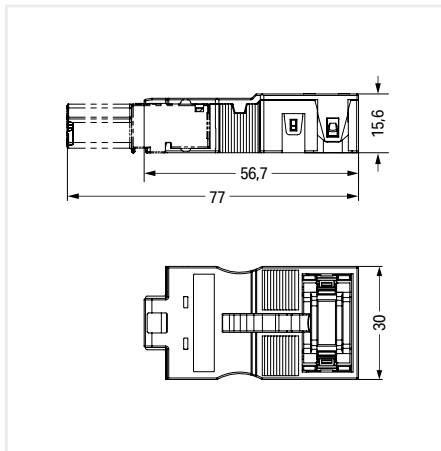
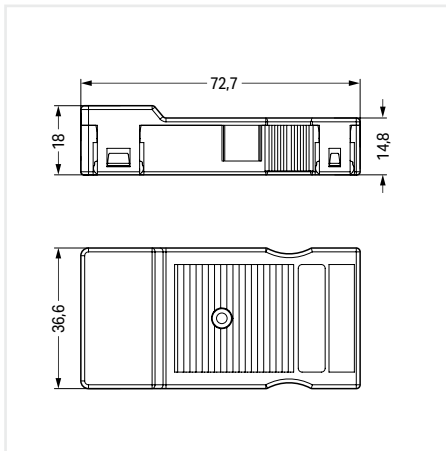
Color	Item No.	PU
black	770-503/021-000	50
white	770-513/021-000	50

Strain relief housing; for quick assembly; for one cable; 7 ... 11.5 mm cable diameter; 48 mm strip length

Color	Item No.	PU
black	770-503/035-000	50
white	770-513/035-000	50

Strain relief housing; IP 2xD; for one cable; 7 ... 11.5 mm cable diameter; 48 mm strip length

Color	Item No.	PU
black	770-503/038-000	50
white	770-513/038-000	50



PU = Packaging Unit; SPU = Subpackaging Unit; Dimensions in mm

Accessories ▶ WINSTA® MIDI ▶ 770 Series 4-Pole

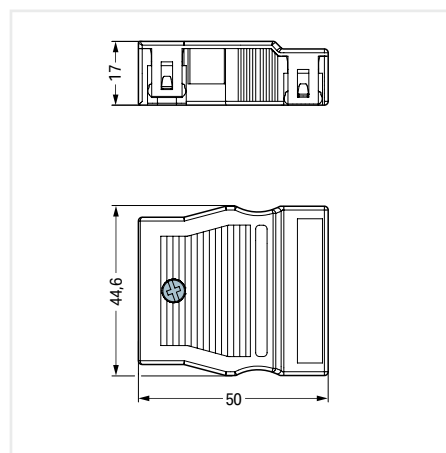
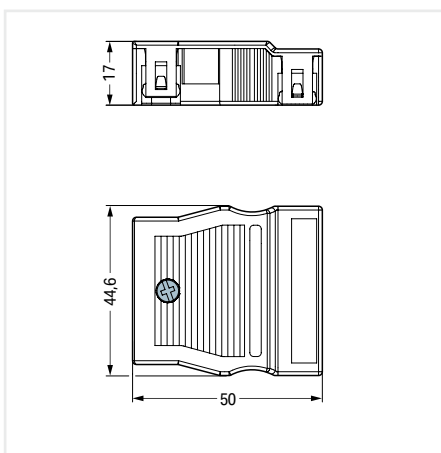


Strain relief housing; for two cables; for 5 ... 9 mm cable diameter; 55 mm strip length

Color	Item No.	PU
black	770-504/023-000	50
white	770-514/023-000	50

Strain relief housing; for two cables; for 9 ... 13 mm cable diameter; 55 mm strip length

Color	Item No.	PU
black	770-504	50
white	770-514	50



Accessories ▶ WINSTA® MIDI ▶ 770 Series 5-Pole



Strain relief housing; for two cables; for 5 ... 9 mm cable diameter; 55 mm strip length

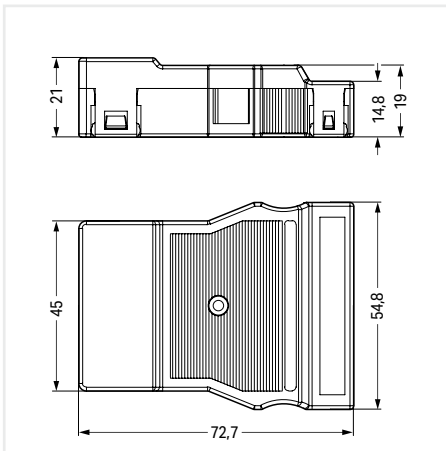
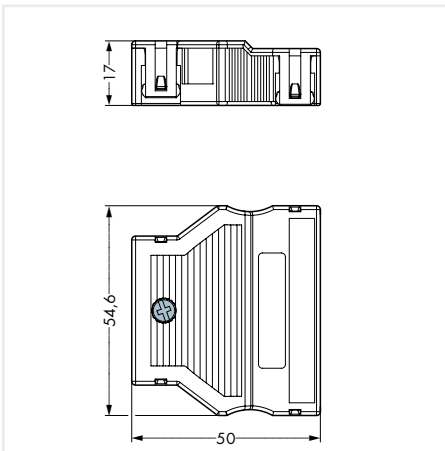
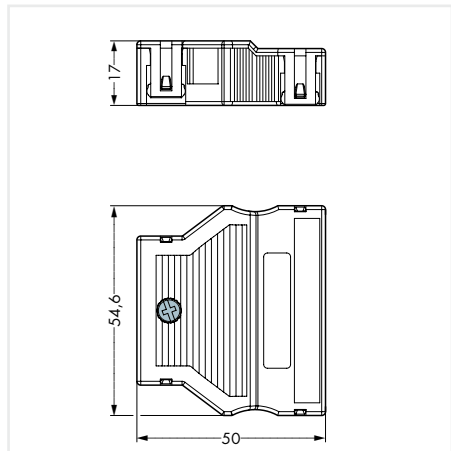
Color	Item No.	PU
black	770-505/023-000	25
white	770-515/023-000	25

Strain relief housing; for two cables; for 9 ... 13 mm cable diameter; 55 mm strip length

Color	Item No.	PU
black	770-505	25
white	770-515	25

Strain relief housing; for one cable; 11.5 ... 16.5 mm cable diameter; 71 mm strip length

Color	Item No.	PU
black	770-505/021-000	25
white	770-515/021-000	25



PU = Packaging Unit; SPU = Subpackaging Unit; Dimensions in mm

Accessories ▶ WINSTA® MIDI ▶ 770 Series 6-Pole



Snap-on type strain relief housings for:

- two 3-pole sockets
- two 3-pole plugs
- 3-pole socket and plug



Strain relief housing; for two cables;
for 8.5 ... 13.5 mm cable diameter; 55 mm strip length

Color	Item No.	PU
black	770-506/029-000	20
white	770-516/029-000	20

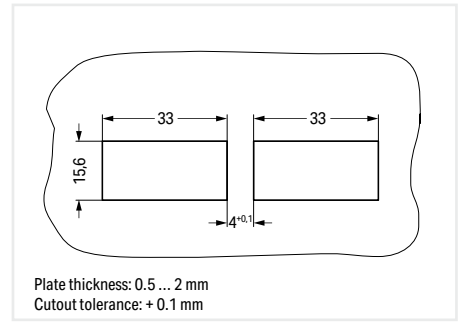
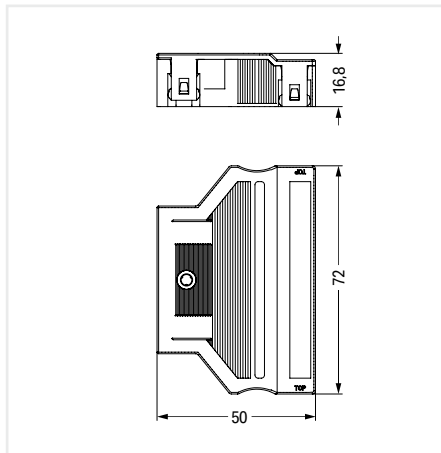
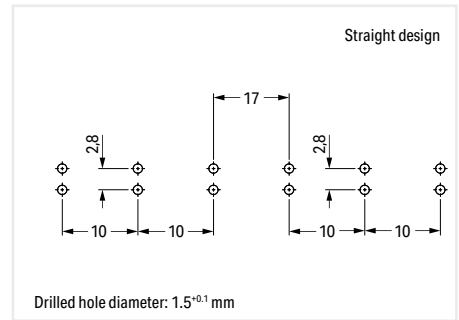


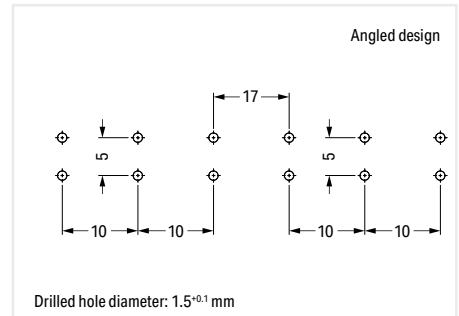
Plate thickness: 0.5 ... 2 mm
Cutout tolerance: + 0.1 mm

Using a 6-pole strain relief housing with snap-in connectors requires the cutout dimensions shown above.



Drilled hole diameter: 1.5^{+0.1} mm

Using a straight, 6-pole PCB connector requires the hole patterns shown above.



Drilled hole diameter: 1.5^{+0.1} mm

Using an angled, 6-pole PCB connector requires the hole patterns shown above.

Accessories ▶ WINSTA® MIDI ▶ 770 Series 7-Pole



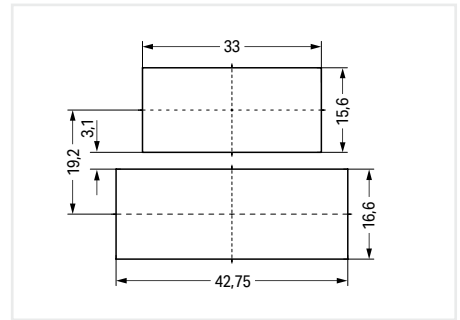
Snap-on type strain relief housings for:

- 3-pole socket or plug
- 4-pole socket or plug



Strain relief housing; for one cable; 8 ... 15 mm cable diameter; 55 mm strip length

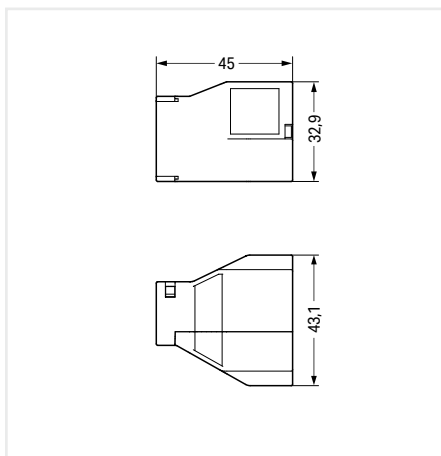
Color	Item No.	PU
black	770-507/047-000	200
white	770-517/047-000	200



Using a 7-pole strain relief housing with snap-in connectors requires the cutout dimensions shown above.



Flying leads
(NOTICE: Only use locking levers on upper position)



Flying leads

Accessories ▶ WINSTA® MIDI ▶ 770 Series



Insert the socket or plug into the frame (observe the "TOP" marking on the frame!), then snap the assembled unit into the cutout (example shows a 3-pole connector).

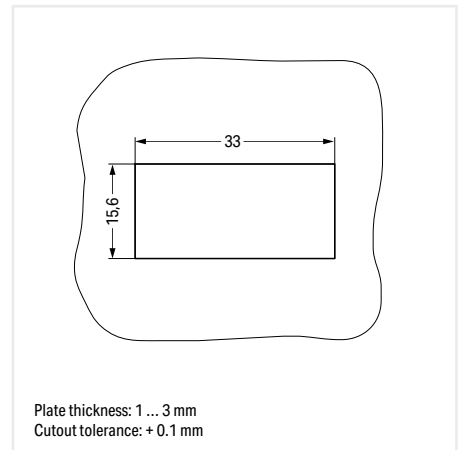
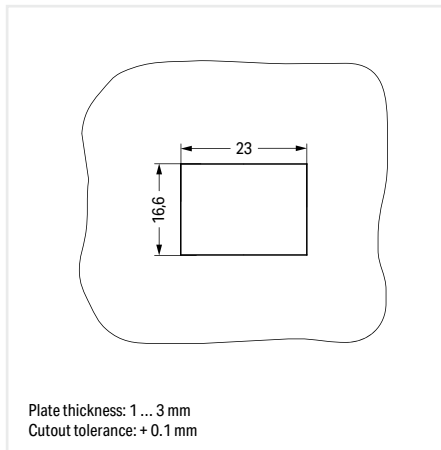
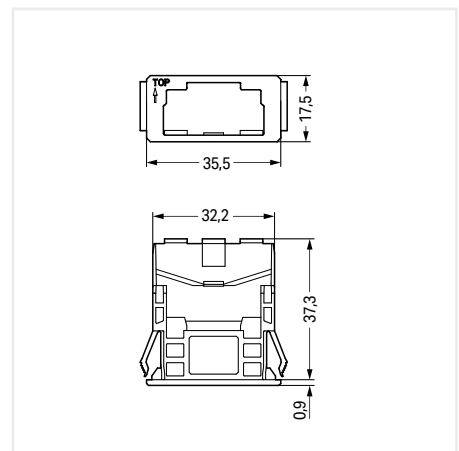
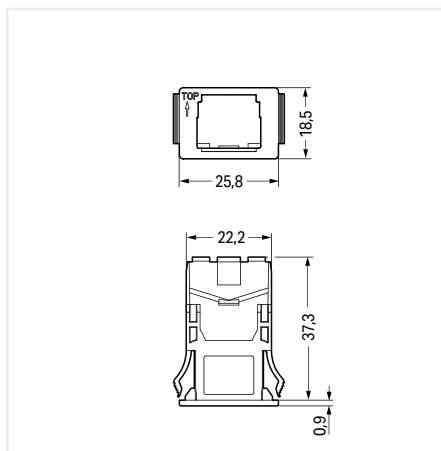


Snap-in frame; for 2-pole sockets and plugs;
for 1 ... 3 mm plate thickness

Color	Item No.	PU
black	770-317	100
white	770-337	100

Snap-in frame; for 3-pole sockets and plugs;
for 1 ... 3 mm plate thickness

Color	Item No.	PU
black	770-318	100
white	770-338	100



Accessories ▶ WINSTA® MIDI ▶ 770 Series



Snap-in frame; for 4-pole sockets and plugs;
for 1 ... 3 mm plate thickness

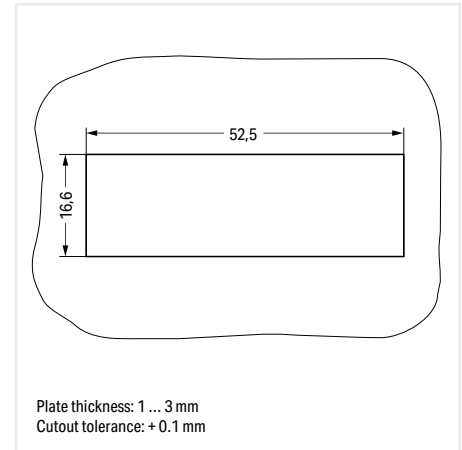
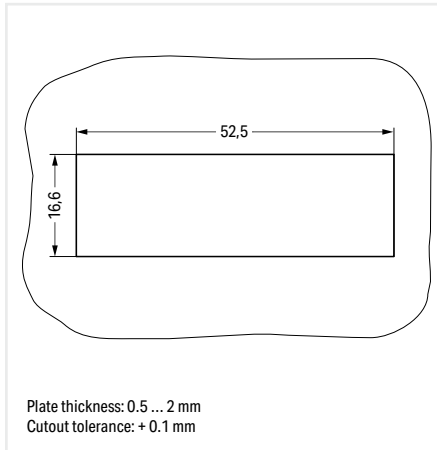
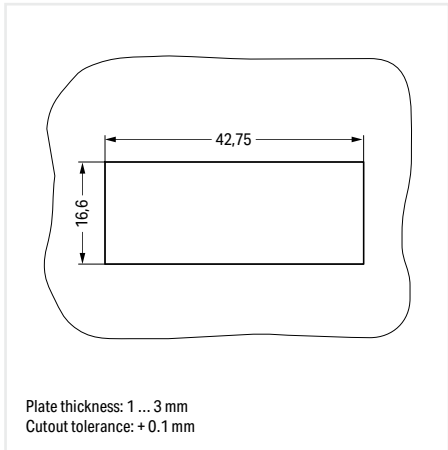
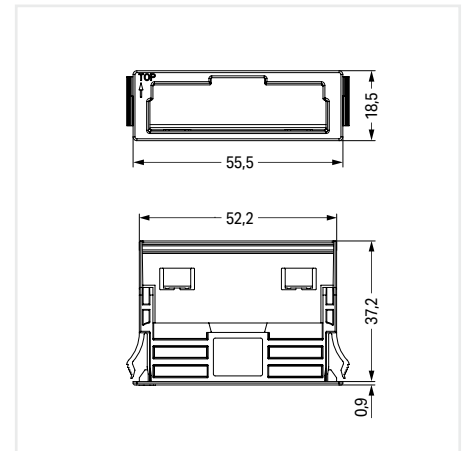
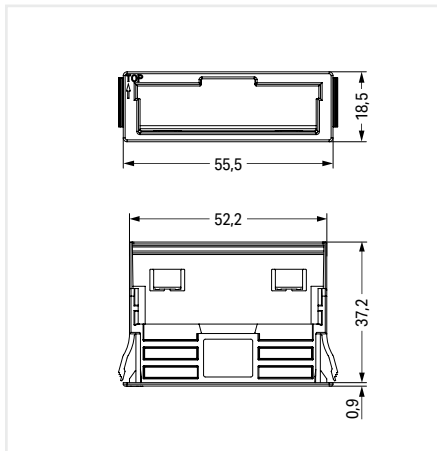
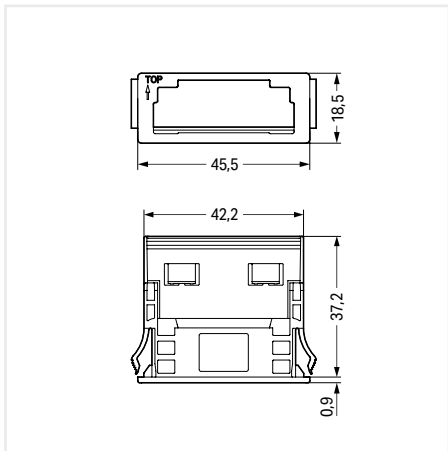
Color	Item No.	PU
black	770-319	100
white	770-339	100

Snap-in frame; for 5-pole sockets and plugs;
for 0.5 ... 2 mm plate thickness

Color	Item No.	PU
black	770-321	100
white	770-341	100

Snap-in frame; for 5-pole sockets and plugs;
for 1 ... 3 mm plate thickness; for A-coding/B//P/Q

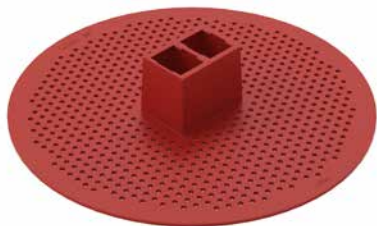
Color	Item No.	PU
black	770-320	100
white	770-340	100



PU = Packaging Unit; SPU = Subpackaging Unit; Dimensions in mm

Accessories ▶ WINSTA® MIDI ▶ 770 Series

Accessories ▶ WINSTA® RD ▶ 774 Series



Mounting plate; for Snap-in; Plastic; for detectors and sensors; Ø 200 mm

Color	Item No.	PU
red	897-2100	25

Snap-in frame; Plastic; for flexible plastic conduits; Ø 16 mm

Color	Item No.	PU
red	897-2105	25

Protective cap; type 1;
for 774 series: 3- and 4-pole

Color	Item No.	PU
red	897-2001	25

Accessories ▶ WINSTA® Boxes ▶ 899 Series



Adapter for distribution boxes; for WINSTA® MINI connectors; 2-pole		
Color	Item No.	PU
gray	890-302	50

Adapter for distribution boxes; for WINSTA® MINI connectors; 3-pole		
Color	Item No.	PU
gray	890-303	50

Adapter for distribution boxes; for WINSTA® MINI connectors; 4-pole		
Color	Item No.	PU
gray	890-304	50

Adapter for distribution boxes; for WINSTA® MINI connectors; 5-pole		
Color	Item No.	PU
gray	890-305	50



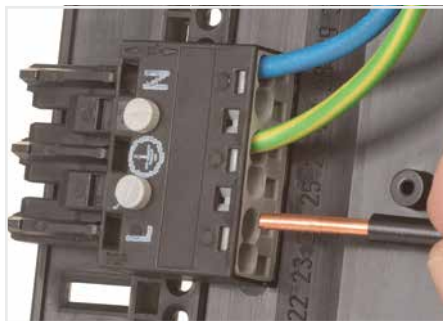
Mounting pin for distribution boxes; for WINSTA® MIDI connectors		
Color	Item No.	PU
gray	770-630	100



Mounting plate; for distribution boxes		
	Item No.	PU
	770-680	25



Using adapters to install WINSTA® MINI connectors in a distribution box.



Using mounting pins to secure WINSTA® MIDI connectors in a distribution box.



Wall-mounted WINSTA® Distribution Box

Accessories ▶ WINSTA® IDC ▶ 772 Series



Mounting plate; for supply and tap-off modules

Color	Item No.	PU
black	772-260	10



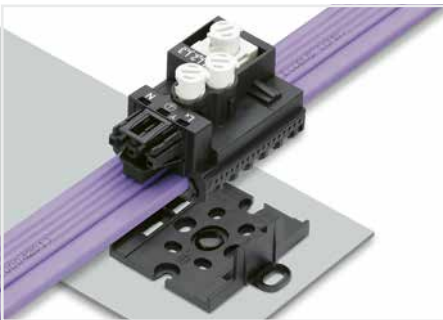
Mounting pin; for mounting plates; 6 mm Ø; 1 ... 2.5 mm plate thickness

Color	Item No.	PU
black	770-601	250



Lockout cap; for socket; separable; 12-pole

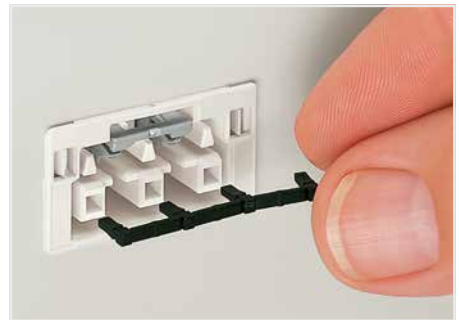
Color	Item No.	PU
black	770-201	100
white	770-221	100



Snapping a supply or tap-off module onto a mounting plate.



The mounting plate can be centrally mounted, or attached via outboard attachment points using 770-601 Mounting Pins.



Seal an unmated socket by simply inserting a lockout cap. This prevents the smallest particles from entering the socket.

Accessories ▶ WINSTA® IDC ▶ 895 Series



Cable fitting; M 40 x 1.5; clamping range: 20 ... 26 mm Ø; with O-ring gasket; plastic

Color	Item No.	PU
black	895-1601	5



Cable fitting; M 25 x 1.5; clamping range: 20 ... 26 mm Ø; with O-ring gasket; brass

Color	Item No.	PU
silver-colored	895-1604	5



Filler plug; M 25 x 1.5; with O-ring gasket; plastic

Color	Item No.	PU
black	895-1605	5

Cable fitting; M 25 x 1.5; clamping range: 9 ... 16 mm Ø; with O-ring gasket; plastic

Color	Item No.	PU
gray	895-1602	5

Cable fitting; M 25 x 1.5; clamping range: 13 ... 18 mm Ø; with O-ring gasket; plastic

Color	Item No.	PU
gray	895-1603	5



Tap-off module with brass cable fitting

Accessories ▶ WINSTA® IDC ▶ 897 Series



Mounting clamp; for screw mounting; for 2 x 1.5 mm², 5 x 2.5 mm², 5 x 4 mm² and 5 x 2.5 mm² + 2 x 1.5 mm² flat cables

Color	Item No.	PU
gray	897-878	100



Mounting clamp; for screw mounting; for 3 x 2.5 mm² flat cables

Color	Item No.	PU (SPU)
dark gray	897-839	200(25)



Mounting clamp; for screw mounting; for 5 x 10 mm² flat cables

Color	Item No.	PU
dark gray	897-859	100

Accessories ▶ WINSTA® IDC ▶ 897 Series



Flat cable end cover; for 2 x 1.5 mm² flat cables; plastic		
Color	Item No.	PU
transparent	897-120	10

Insulating tape; for 2 x 1.5 mm² to 5 x 10 mm² flat cables		
Color	Item No.	PU
black	897-900	10

Flat cable; E _{car} : 2 x 1.5 mm²; PVC		
Color	Item No.	PU
light gray	897-121	1

Flat cable end cover; for 3 x 2.5 mm² flat cables; plastic		
Color	Item No.	PU
transparent	897-230	25

Insulating tape; for 5 x 16 mm² flat cables		
Color	Item No.	PU
black	897-901	10

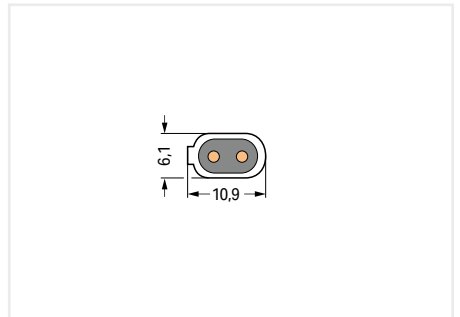
Flat cable; D _{car} : 2 x 1.5 mm²; halogen-free		
Color	Item No.	PU
light gray	897-122	1

Flat cable end cover; for 5 x 2.5 mm² and 5 x 4 mm² flat cables; plastic		
Color	Item No.	PU
transparent	897-250	25

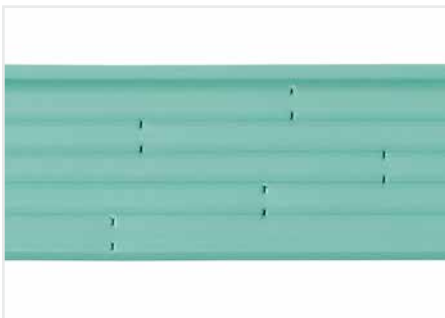
Flat cable end cover; for 5 x 2.5 mm² and 2 x 1.5 mm² flat cables; plastic		
Color	Item No.	PU
transparent	897-260	25

Flat cable end cover; for 5 x 10 mm² flat cables; plastic		
Color	Item No.	PU
transparent	897-1050	10

Flat cable end cover; for 5 x 16 mm² flat cables; plastic		
Color	Item No.	PU
transparent	897-1650	4



Fit end cover to each flat cable end.



Use insulating tape to seal the contact holes in the flat cable after removing a module.

Accessories ▶ WINSTA® IDC ▶ 897 Series



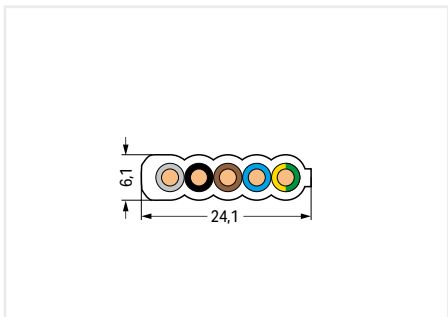
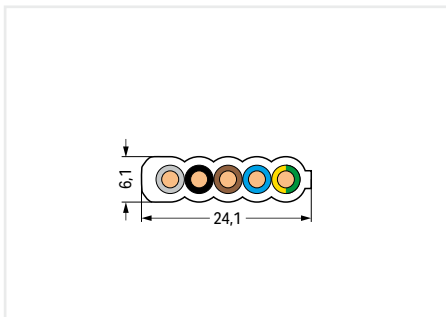
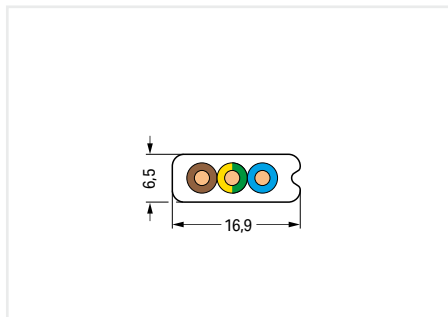
Flat cable; E _{car} : 3 x 2.5 mm ² ; PVC		
Color	Item No.	PU
light gray	897-231	1

Flat cable; E _{car} : 5 x 2.5 mm ² ; PVC		
Color	Item No.	PU
light green	897-251	1

Flat cable; E _{car} : 5 x 4 mm ² ; halogen-free		
Color	Item No.	PU
black	897-453	1

Flat cable; B2 _{car} : 3 x 2.5 mm ² ; halogen-free		
Color	Item No.	PU
light gray	897-232	1

Flat cable; B2 _{car} : 5 x 2.5 mm ² ; halogen-free		
Color	Item No.	PU
light green	897-252	1



Accessories ▶ WINSTA® IDC ▶ 897 Series



Flat cable; E_{car}: 5 x 2.5 mm² + 2 x 1.5 mm²; PVC

Color	Item No.	PU
violett	897-261	1

Flat cable; C_{car}: 5 x 2.5 mm² + 2 x 1.5 mm²; halogen-free

Color	Item No.	PU
violett	897-262	1

Flat cable; E_{car}: 5 x 10 mm²; PVC

Color	Item No.	PU
light gray	897-1051	1

Flat cable; B2_{car}: 5 x 10 mm²; halogen-free

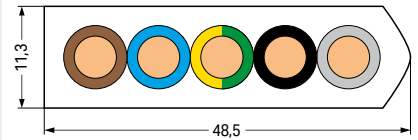
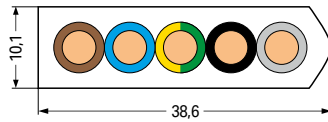
Color	Item No.	PU
light gray	897-1052	1

Flat cable; E_{car}: 5 x 16 mm²; PVC

Color	Item No.	PU
light gray	897-1651	1

Flat cable; B2_{car}: 5 x 16 mm²; halogen-free

Color	Item No.	PU
light gray	897-1652	1



Operating Tools ► WINSTA®



Operating tool with a partially insulated shaft; type 1; (2.5 x 0.4) mm blade

Color	Item No.	PU
multicoloured	210-719	50



Operating tool set; with a partially insulated shaft; includes 210-719, 210-720 and 210-721

Color	Item No.	PU
multicoloured	210-722	1



Operating tool with a partially insulated shaft; type 2; (3.5 x 0.5) mm blade

Color	Item No.	PU
multicoloured	210-720	50

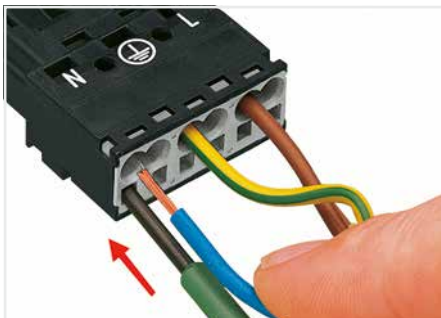


Set of operating tools in a box



Operating tool with a partially insulated shaft; type 3; (5.5 x 0.8) mm blade

Color	Item No.	PU
multicoloured	210-721	25



The blade dimensions of the above-listed operating tools are ideal for operating both WINSTA® Plugs and Sockets.

Operating Tools ► WINSTA®



Operating tool with a partially insulated shaft; (6.5 x 1.4) mm blade		
Color	Item No.	PU
multicoloured	210-636	50



Operating tool; partially insulated; for WINSTA® MINI connectors; 2-pole		
Color	Item No.	PU
green	890-382	50



Operating tool; partially insulated; for WINSTA® MIDI connectors; 2-pole		
Color	Item No.	PU
green	770-382	50



Operating tool; short version; (6.5 x 1.4) mm		
Color	Item No.	PU
multicoloured	210-635	30



Operating tool; partially insulated; for WINSTA® MINI connectors; 3-pole		
Color	Item No.	PU
green	890-383	50



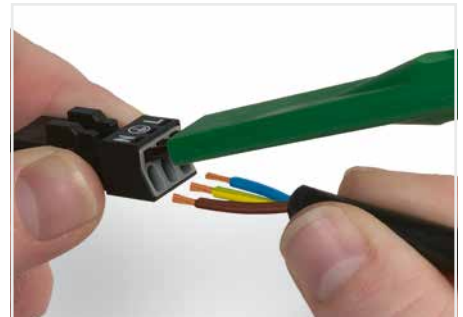
Operating tool; partially insulated; for WINSTA® MIDI connectors; 3-pole		
Color	Item No.	PU
green	770-383	50



Operating tools are ideally suited to operate IDC modules (772 Series).



Operating tool; partially insulated; for WINSTA® MINI connectors; 4-pole		
Color	Item No.	PU
green	890-384	50



To terminate fine-stranded conductors, open clamping units via operating tool (890-383) and insert stripped conductors until they hit backstop.

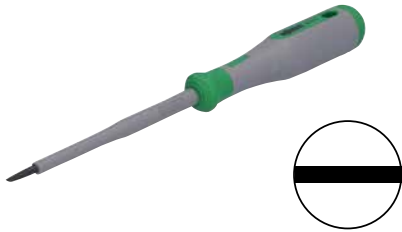


Operating tool; partially insulated; for WINSTA® MINI connectors; 5-pole		
Color	Item No.	PU
green	890-385	50

PU = Packaging Unit; SPU = Subpackaging Unit; Dimensions in mm

Screw Drivers ▶ WINSTA®

VDE tested ▶ 1000 V ▶ insulated



Slot screwdriver ▶ (2,5 x 0,4) mm ▶ 75 mm long		
Color	Item No.	Pack. Unit
green/gray	206-2111	1

Slot screwdriver ▶ (3,0 x 0,5) mm ▶ 100 mm long		
Color	Item No.	Pack. Unit
green/gray	206-2112	1

Slot screwdriver ▶ (3,5 x 0,6) mm ▶ 100 mm long		
Color	Item No.	Pack. Unit
green/gray	206-2113	1

Slot screwdriver ▶ (4,0 x 0,8) mm ▶ 100 mm long		
Color	Item No.	Pack. Unit
green/gray	206-2114	1

Slot screwdriver ▶ (5,5 x 1,0) mm ▶ 125 mm long		
Color	Item No.	Pack. Unit
green/gray	206-2115	1

Slot screwdriver ▶ (6,5 x 1,2) mm ▶ 150 mm long		
Color	Item No.	Pack. Unit
green/gray	206-2116	1

Slot screwdriver ▶ (8,0 x 1,2) mm ▶ 175 mm long		
Color	Item No.	Pack. Unit
green/gray	206-2117	1



Crosshead screwdriver ▶ PH0 ▶ 60 mm long		
Color	Item No.	Pack. Unit
green/gray	206-2120	1

Crosshead screwdriver ▶ PH1 ▶ 80 mm long		
Color	Item No.	Pack. Unit
green/gray	206-2121	1

Crosshead screwdriver ▶ PH2 ▶ 100 mm long		
Color	Item No.	Pack. Unit
green/gray	206-2122	1

Crosshead screwdriver ▶ PH3 ▶ 150 mm long		
Color	Item No.	Pack. Unit
green/gray	206-2123	1



Crosshead screwdriver ▶ PZ0 ▶ 60 mm long		
Color	Item No.	Pack. Unit
green/gray	206-2130	1

Crosshead screwdriver ▶ PZ1 ▶ 80 mm long		
Color	Item No.	Pack. Unit
green/gray	206-2131	1

Crosshead screwdriver ▶ PZ2 ▶ 100 mm long		
Color	Item No.	Pack. Unit
green/gray	206-2132	1

Crosshead screwdriver ▶ PZ3 ▶ 150 mm long		
Color	Item No.	Pack. Unit
green/gray	206-2133	1

Screw Drivers ▶ WINSTA®

VDE tested ▶ 1000 V ▶ insulated



Torx® screwdriver ▶ T8 ▶ 180 mm long		
Color	Item No.	Pack. Unit
green/gray	206-2163	1

Torx® screwdriver ▶ T10 ▶ 180 mm long		
Color	Item No.	Pack. Unit
green/gray	206-2164	1

Torx® screwdriver ▶ T15 ▶ 190 mm long		
Color	Item No.	Pack. Unit
green/gray	206-2165	1

Torx® screwdriver ▶ T20 ▶ 190 mm long		
Color	Item No.	Pack. Unit
green/gray	206-2166	1

Torx® screwdriver ▶ T25 ▶ 190 mm long		
Color	Item No.	Pack. Unit
green/gray	206-2167	1

Torx® screwdriver ▶ T30 ▶ 215 mm long		
Color	Item No.	Pack. Unit
green/gray	206-2169	1



Combination screwdriver ▶ Cross and slot ▶ +/- PH1/S ▶ 190 mm long		
Color	Item No.	Pack. Unit
green/gray	206-2141	1

Combination screwdriver ▶ Cross and slot ▶ +/- PH2/S ▶ 215 mm long		
Color	Item No.	Pack. Unit
green/gray	206-2142	1



Combination screwdriver ▶ Cross and slot ▶ +/- PZ1/S ▶ 190 mm long		
Color	Item No.	Pack. Unit
green/gray	206-2151	1

Combination screwdriver ▶ Cross and slot ▶ +/- PZ2/S ▶ 215 mm long		
Color	Item No.	Pack. Unit
green/gray	206-2152	1



Screwdriver set ▶ PH1; PH2; PZ1; 2,5 x 0,4; 3,5 x 0,6; 5,5 x 0,8		
Color	Item No.	Pack. Unit
green/gray	206-2101	1



Torx® screwdriver set ▶ T8; T10; T15; T20; T25; T30		
Color	Item No.	Pack. Unit
green/gray	206-2102	1

PU = Packaging Unit; SPU = Subpackaging Unit; Dimensions in mm


Stripping Tools ▶ WINSTA®





Cable knife; for Ø 8 ... 28 mm / 0.31 ... 1.10 inch; with a unique, changeable cable bracket system; including cable bracket


	Item No.	Pack. Unit
	206-1403	1


Item-Specific Accessories


Cable bracket; for Ø 4 ... 16 mm / 0.16 ... 0.63 inch		
	206-1411	1

Cable bracket; for Ø 8 ... 28 mm / 0.31 ... 1.10 inch		
	206-1412	1

Cable bracket; for Ø 27 ... 35 mm / 1.06 ... 1.38 inch		
	206-1413	1

Cable bracket; for Ø 35 ... 50 mm / 1.38 ... 1.97 inch		
	206-1414	1

Cable bracket; for Ø 50 ... 70 mm / 1.97 ... 2.75 inch		
	206-1415	1


Accessories		
Spare inside blade		
	206-1418	3





Wire stripper "Quickstrip Vario"; 0.03 ... 16 mm² / 34 ... 6 AWG; with wire cutter


	Item No.	Pack. Unit
	206-1125	1


Accessories


Blade set; Standard; 0.03 ... 16 mm ² / 34 ... 6 AWG		
	206-1126	1

Blade set; V-blade; 0.14 ... 4 mm ² / 24 ... 12 AWG		
	206-1127	1

Blade set; Oval blade; 10 ... 16 mm ² / 8 ... 6 AWG		
	206-1128	1

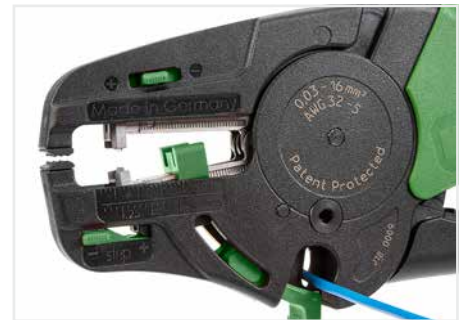
Spare stripping stop		
	206-1129	1

Spare cut protector		
	206-1131	1

Spare clamping jaws		
	206-1132	1



Partially stripping a conductor.



Cutting a conductor.

Wire Stripper:

- Automatically adjust to conductor size
- Stripping blades cause no damage to conductor strands
- Gripping pressure of jaws adjusts automatically to conductor insulation diameter
- Clamping jaws and stripping blades automatically open once the stripping process is completed – no splaying of the conductor strands
- Exact strip length may be set by sliding black setting stop
- Stripping blades can be replaced
- Self-sharpening, fully protected cutter (replaceable)
- Entire body made of glass-fiber-reinforced polyamide
- Cutting capacity of the wire cutter of fine-stranded conductors up to 16 mm² (6 AWG)



Cable Cutter, Stripping Knives ▶ WINSTA®



Cable cutter; with partially insulated handles; for 5 x 6 mm² flat cables

Color	Item No.	PU
red	897-960	1



Stripping knife; for 5 x 10 mm² flat cable

Color	Item No.	PU
light gray	897-951	1



Stripping knife; for 5 x 16 mm² flat cable

Color	Item No.	PU
light gray	897-952	1



Cut both flat cable insulation sides via stripping knife.

Cable Cutter and Wiring Aid ► WINSTA®



Cable cutter; per VDE; for copper and aluminum cables; 0.25 ... 35 mm²

Color	Item No.	PU (SPU)
green	206-118	10(1)

Wiring aid; for 5-pole connectors; distribution connectors with phase selection and IDC supply modules; suitable for solid and stranded conductors

Color	Item No.	PU (SPU)
orange	770-100	20(1)



Cutting a cable.



Strip outer insulation, insert cable into the wiring aid and arrange the single conductors according to the marking, starting with N. Cut conductor ends to the proper length.



Strip conductor ends to a length of 9 mm (see marking). Slide connector to the stop over conductor ends.

Markers and Marking Strips ▶ WINSTA®



Marker; for manual marking		
Color	Item No.	PU
white	770-450	50
green	770-450/000-001	50
yellow	770-450/000-002	50
red	770-450/000-005	50
blue	770-450/000-006	50
orange	770-450/000-012	50

Self-adhesive marking strips; on DIN A4 cards; 182 mm long; 6 mm (40 x) high; for 770 Series		
Color	Item No.	PU (SPU)
white	210-333	100(1)

Self-adhesive marking strips; on DIN A4 cards; 182 mm long; 5 mm (48 x) high; for 771 Series		
Color	Item No.	PU (SPU)
white	210-334	100(1)



Distribution connector with marked cables



Marking area:
 Strain relief; 3-pole; 28 x 6.5 mm
 Strain relief; 4-pole; 38 x 6.5 mm
 Strain relief; 5-pole; 48 x 6.5 mm
 Strain relief; 6-pole; 62 x 6.5 mm

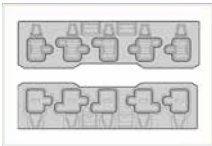

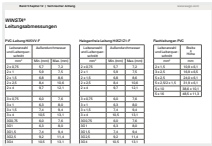





Marking area:
 Strain relief; 3-pole; 22 x 5.2 mm
 Strain relief; 4-pole; 32 x 5.2 mm
 Strain relief; 5-pole; 42 x 5.2 mm



Technical Section


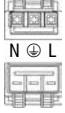



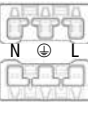
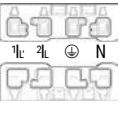
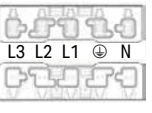


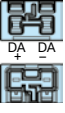
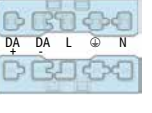

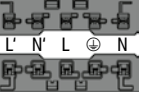





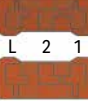
Technical Section

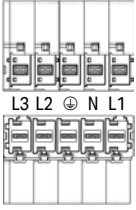

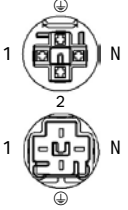
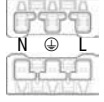
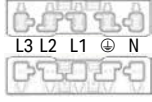






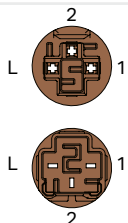
	Page	
	Coding Overview	404
	Pole Markings	406
	Connection Technology	408
	Cable Dimensions	410
	Electrical Engineering Laboratory	412
	Seminars	414
	Environmental Protection	416

WINSTA®

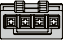


















Coding Configurations

770, 771, 772, 831, 890, 891, 893, 894 and 899 Series

Description	WINSTA® MINI				WINSTA® MIDI			
	2-pole	3-pole	4-pole	5-pole	2-pole	3-pole	4-pole	5-pole
Series	890/891	890/891	890/891	890/891	770/771	770/771	770/771	770/771
A-coding black white e.g., general applications	 N L	 N ⊕ L	 1L 2L ⊕ N	 3 2 1 ⊕ N	 N L	 N ⊕ L	 1L 2L ⊕ N	 L3 L2 L1 ⊕ N
E-coding green KNX applications								
F-coding light gray specialty coding								
I-coding blue for dimming function (e.g., DALI)	 - +			 + - L ⊕ N	 DA DA			 DA DA L ⊕ N
L-coding dark gray e.g., emergency power supply					 N' L'			 L' N' L ⊕ N
P-coding red e.g., computer applications (UPS)						 N ⊕ L		 L3 L2 L1 ⊕ N
Q-coding green Clean ground applications							 L PE2 PE1 N	 L PE3 PE2 PE1 N
R-coding orange e.g., LON® Bus						 S LON LON		
S-coding brown e.g., switching applications						 L 2 1		

Description	WINSTA® MAXI	WINSTA® RD		WINSTA® KNX		WINSTA® IDC	
	5-pole	3-pole	4-pole	2-pole	2-pole	3-pole	5-pole
Series	831	774	774	893/894	893/894	772	772
A-coding black white e.g., general applications							
E-coding green KNX applications							
F-coding light gray specialty coding							
I-coding blue for dimming function (e.g., DALI)							
L-coding dark gray e.g., emergency power supply							
P-coding red e.g., computer applications (UPS)							
Q-coding green Clean ground applications							
R-coding orange e.g., LON® Bus							
S-coding brown e.g., switching applications							

WINSTA® MINI and MIDI B-Coding

Description	WINSTA® MINI				WINSTA® MIDI / WINSTA® IDC			
	2-pole	3-pole	4-pole	5-pole	2-pole	3-pole	4-pole	5-pole
Series	890/891	890/891	890/891	890/891	770/771	770/771/772	770/771	770/771/772
B-coding gray								
Control and general applications (110 ... 400 V mains applications)	2 1 	3 2 1 	4 3 2 1 	5 4 3 2 1 	2 1 	3 2 1 	4 3 2 1 	5 4 3 2 1 
B-coding light green								
Control and general applications (0 ... 48 V low voltages)	2 1 	3 2 1 	4 3 2 1 	5 4 3 2 1 	2 1 	3 2 1 	4 3 2 1 	5 4 3 2 1 
B-coding pink								
Control and general applications (bus applications)	2 1 	3 2 1 	4 3 2 1 	5 4 3 2 1 	2 1 	3 2 1 	4 3 2 1 	5 4 3 2 1 

9

Important note:

B-Coded components within the WINSTA® MINI and WINSTA® MIDI families are designed for specialty applications (e.g., measurement, control and regulation technology) and certified per DIN EN 61984. In addition to the gray models rated from 110 to 400 V, there is now also a variant in light green for low voltages up to 48 V, as well as a pink one for bus applications.

Each of the three versions is available in 2-, 3- or 4- and 5-pole configurations. Pole marking can be printed at the factory to suit customer requirements. B-coded products are protected against mismatching with all other coding types found in the WINSTA® system. Within B-coding, all variants can mate with each other. The variable coding system provides clear circuit identification. All variants can be clearly differentiated according to color and pole marking. They can be coded on-site or delivered with factory-installed custom coding.

WINSTA® MINI and MIDI ▶ Coding: B Pole Markings

Suffix Number	Marking				Application
	2-pole	3-pole	4-pole	5-pole	
without	1 2	1 2 3	1 2 3 4	1 2 3 4 5	General
/060-000 MINI MIDI	L N	L ⊕ N	N ⊕ ² IL ¹ IL'	N ⊕ 1 2 3 N ⊕ L1 L2 L3	Standard 230 V/400 V network application
/062-000		2 PE 1	3 PE 2 1	N PE 3 2 1	Fan Step switching
/064-000			2L ⊕ 1L L	N ⊕ L 2L 1L	230 V + switched
without	1 2	1 2 3	1 2 3 4	1 2 3 4 5	General
/071-000		U+ X/Y U-	U- S U+ X/Y		AI / AO 0 ... 10 V
/072-000			U- U+ DI AI		Presence detector incl. light sensor
/073-000		1 ⊕ 2	1 ⊕ 2 3	1 ⊕ 2 3 4	Control Signal incl. Ground
without	1 2	1 2 3	1 2 3 4	1 2 3 4 5	General
/080-000	I+ I-			N ⊕ L I- I+	SMI bus
/081-000		1 2 5	1 2 5 3		MP-Bus
/082-000	+ -	+ S -		N ⊕ L - +	Standard fieldbus applications

Distribution connectors and cable assemblies with above-mentioned pole markings are available upon request.

Item number example:

WINSTA® MIDI, plug, 4-pole, light green, with U- U+ DI AI pole marking 770-274/072-000

Operating WAGO Connection Technologies

Please follow the applicable product-specific termination instructions.

PUSH-IN CAGE CLAMP®



Push-in CAGE CLAMP® terminates the following copper conductors: solid



stranded



fine-stranded, also with tinned single strands



fine-stranded, tip-bonded



fine-stranded, with ferrule (gastight crimped)



fine-stranded, with pin terminal (gastight crimped)

The universal connection with an additional advantage:

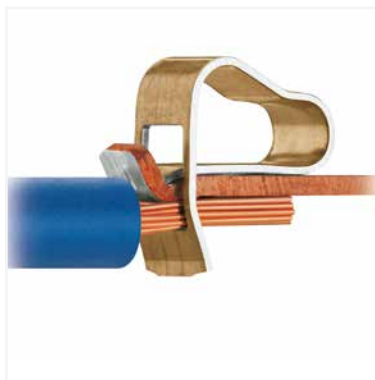
Push-in connection

Terminate solid and stranded (Class B 7 strands or less), as well as ferruled conductors, by simply pushing them in – no tools required.

Termination for all conductor types:

- Open clamping unit.
- Insert the conductor.
- Release clamp – done!

CAGE CLAMP®



CAGE CLAMP® terminates the following copper conductors: solid



stranded



fine-stranded, also with tinned single strands



fine-stranded, tip-bonded



fine-stranded, with ferrule (gastight crimped)



fine-stranded, with pin terminal (gastight crimped)

The universal connection for solid, stranded and fine-stranded conductors

Termination:

- Open clamping unit.
- Insert the conductor.
- Release clamp – done!

Operating WAGO Connection Technologies

Please follow the applicable product-specific termination instructions.

POWER CAGE CLAMP®



POWER CAGE CLAMP terminates the following copper conductors: solid



stranded



fine-stranded, also with tinned single strands



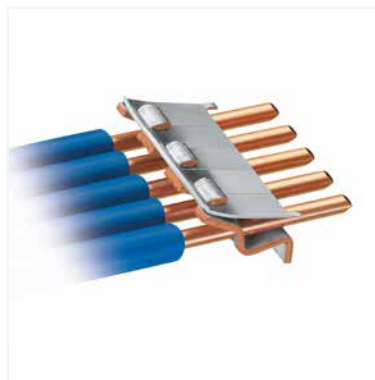
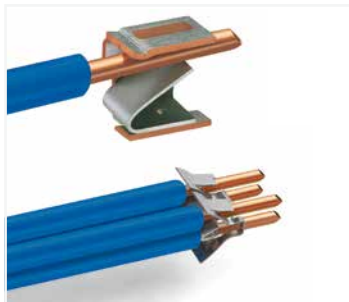
fine-stranded, with ferrule (gastight crimped)

The universal connection for conductors larger than 35 mm² (2 AWG)

Termination:

- Open clamp by turning a T-wrench counter-clockwise.
- Press the integrated latch to open clamping unit for hands-free wiring.
- Insert the conductor.
- A small counter-clockwise rotation closes the clamp, securing conductor.

PUSH WIRE®



PUSH WIRE® terminates the following copper conductors: solid

PUSH WIRE® connection for solid and stranded conductors (depending on the model used)

Termination:

Tool-free, twist-free terminations for solid and rigid stranded conductors – simply push into the unit.

WINSTA®

Cable Dimensions

H05VV-F PVC Cables

Number and Size of Conductors	Outer Diameter	
	Min. (mm)	Max. (mm)
mm ²		
2 x 0.75	5.7	7.2
2 x 1	5.9	7.5
2 x 1.5	6.8	8.6
2 x 2.5	8.4	10.6
2 x 4	9.7	12.1
3 x 0.75	6.0	7.6
3 x 1	6.3	8.0
3 x 1.5	7.4	9.4
3 x 4	10.5	13.1
3G0.75	6.0	7.6
3G1	6.3	8.0
3G1.5	7.4	9.4
3G2.5	9.2	11.4
3G4	10.5	13.1
4 x 1	7.1	9.0
4 x 1.5	8.4	10.5
4G0.75	6.6	8.3
4G1	7.1	9.0
4G1.5	8.4	10.5
4G2.5	10.1	12.5
4G4	11.5	14.3
5G0.75	7.4	9.3
5G1	7.8	9.3
5G1.5	9.3	11.6
5G2.5	11.2	13.9

H05Z1Z1-F Halogen-Free Cables

Number and Size of Conductors	Outer Diameter	
	Min. (mm)	Max. (mm)
mm ²		
2 x 0.75	5.7	7.2
2 x 1	5.9	7.5
2 x 1.5	6.8	8.6
2 x 2.5	8.4	10.6
2 x 4	9.7	12.1
3 x 0.75	6.0	7.6
3 x 1	6.3	8.0
3 x 1.5	7.4	9.4
3 x 4	10.5	13.1
3G0.75	6.0	7.6
3G1	6.3	8.0
3G1.5	7.4	9.4
3G2.5	9.2	11.4
3G4	10.5	13.1
4 x 1	7.1	9.0
4 x 1.5	8.4	10.5
4G1	7.1	9.0
4G1.5	8.4	10.5
4G2.5	10.1	12.5
5G1	7.8	9.3
5G1.5	9.3	11.6
5G2.5	11.2	13.9
5G4	13.0	16.1

PVC Flat Cables

Number and Size of Conductors	Width x Height
	mm
mm ²	
2 x 1.5	10.9 x 6.1
3 x 2.5	16.9 x 6.5
5 x 2.5	24.0 x 6.1
5 x 2.5/2 x 1.5	31.9 x 6.1
5 x 10	38.6 x 10.1
5 x 16	48.5 x 11.3

Halogen-Free Flat Cables

Number and Size of Conductors	Width x Height
	mm
mm ²	
2 x 1.5	10.9 x 6.1
3 x 2.5	16.4 x 6.3
5 x 2.5	24.1 x 6.1
5 x 4	24.1 x 6.1
5 x 2.5/2 x 1.5	31.9 x 6.1
5 x 10	38.6 x 10.1
5 x 16	48.5 x 11.3

Electrical Engineering Laboratory

Product Safety for Our Customers

To use terminal blocks globally, they must satisfy certain standards and obtain test certificates. These requirements apply to every manufacturer. WAGO also conducts its own tests to increase standards and offer greater reliability with its products. Products undergo a full range of mechanical, electrical and climatic testing, and we'll share a few of those processes with you.

Pull-Out Test (per EN 60947-7-1, EN 60998-2-2)

During the pull-out force test, a conductor is pulled on until it is removed from the clamping unit. The design of the terminals means that extraction only occurs after the standard pull-out force has been exceeded many times over.

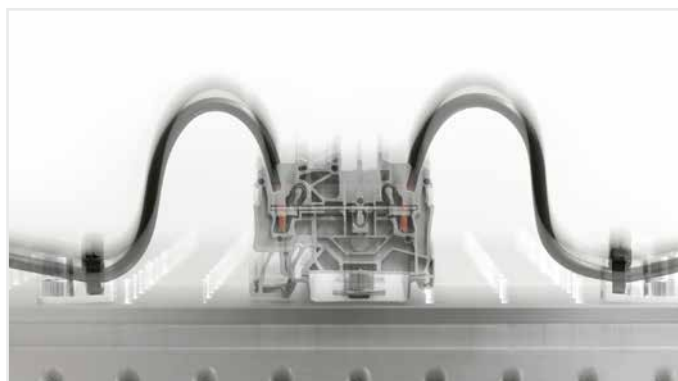
WAGO Test Lab

This means that WAGO's products can be used safely and reliably both in Europe and anywhere globally for a wide variety of applications. We heavily emphasize the importance of global acceptance during development. As a result, we can present documentation that verifies our high levels of product safety and reliability while ensuring the fulfillment and accuracy of technical data, which are the highest priorities for our customers and users worldwide. On December 22, 2009, our test lab was accredited by the German Accreditation Association (Deutsche Gesellschaft für Akkreditierung GmbH) in accordance with DIN EN ISO/IEC 17025.



Vibration Test (per IEC/EN 60068-2-6)

Depending on the application, such as railway (per EN 61373) or marine (per GL, LR, DNV), there are various testing requirements to determine if the long-term effects of vibrations degrade electrical connections. The test specimen is subjected to different loads on three axes in an electrodynamic vibration system. The amplitude, the acceleration, and particularly the frequency of the vibration vary during the test. The test values are increased many times over the standard values to meet special customer requirements.



Shock Test (per IEC/EN 60068-2-27)

The shock test is very similar to the vibration test except that, instead of continuous vibrations, single shocks are applied to the test specimen. Shock tests are usually performed, for example, at an acceleration of 20g over a period of 11 ms. Tests for special requirements often call for much higher values and are also conducted in our laboratory. Single-deck TOPJOB® S Rail-Mount Terminal Blocks, for example, pass shock tests up to 500g.



Voltage Drop Test under Bending Stress (per EN 60947-7-1, EN 60999-1)

The voltage drop test under bending stress simulates mechanical stress on the clamping unit. In everyday use, this stress can occur during installation, for example, when an electrician shoves connected conductors to the side in order to access a specific component. The quality of the clamping unit when moving a connected conductor can be validated by the constantly stable measured value of the voltage drop.





Deutsche Akkreditierungsstelle GmbH

Entrusted according to Section 8 subsection 1 AkkStelleG in connection with Section 1 subsection 1 AkkStelleGBV
Signatory to the Multilateral Agreements of EA, ILAC and IAF for Mutual Recognition

Accreditation



The Deutsche Akkreditierungsstelle GmbH attests that the testing laboratory

WAGO GmbH & Co. KG
Hansastraße 27, 32423 Minden

is competent under the terms of DIN EN ISO/IEC 17025:2018 to carry out tests in the following fields:

Electrical and mechanical testing of terminals and connectors and environmental simulation

The accreditation certificate shall only apply in connection with the notice of accreditation of 18.05.2022 with the accreditation number D-PL-19704-01. It comprises the cover sheet, the reverse side of the cover sheet and the following annex with a total of 9 pages.

Registration number of the certificate: **D-PL-19704-01-00**

Berlin,
29.06.2022

Florian Burkart
Head of Technical Unit

Translation issued:
29.06.2022


Head of Technical Unit

The certificate together with the annex reflects the status as indicated by the date of issue.

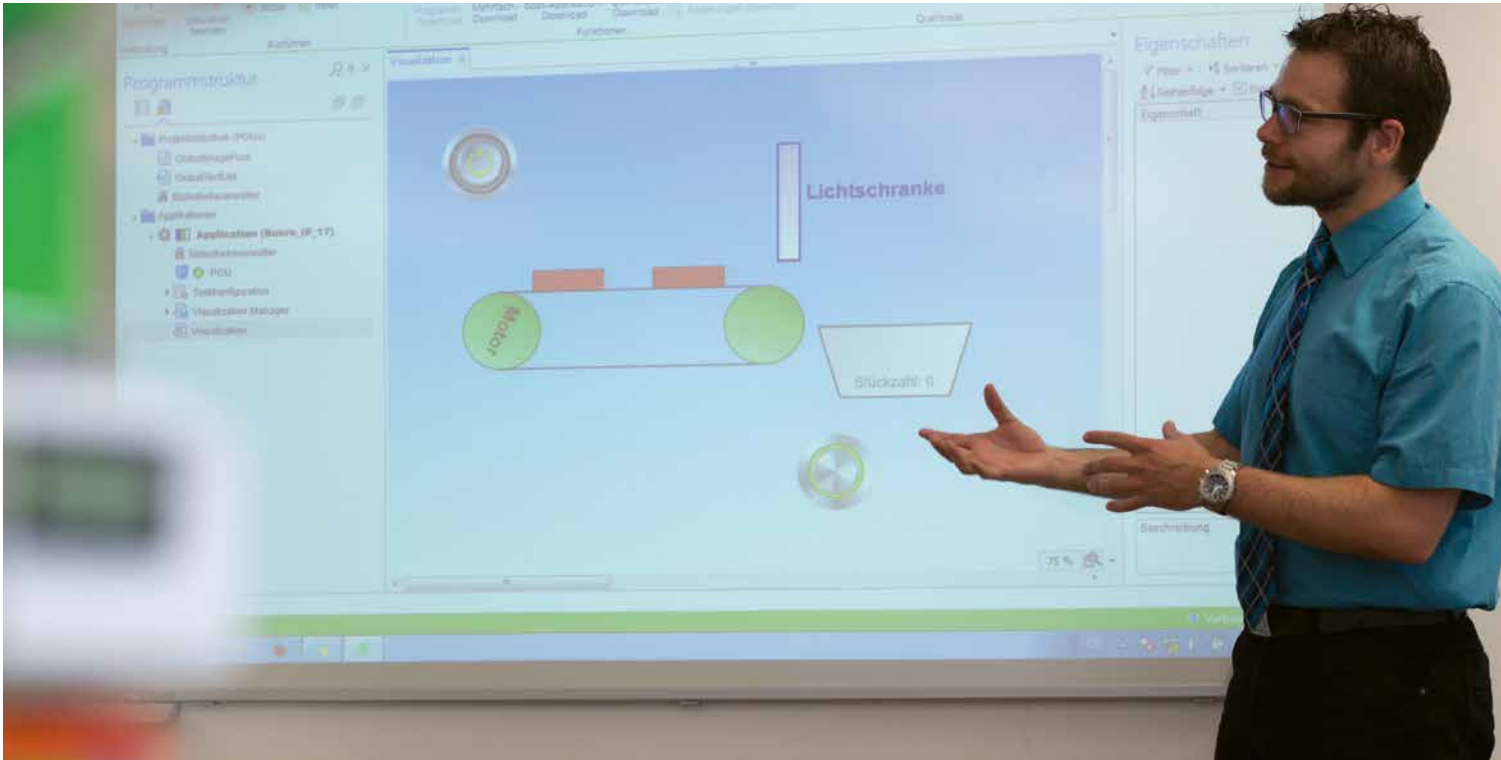
The current status of any given scope of accreditation can be found in the directory of accredited bodies maintained by Deutsche Akkreditierungsstelle GmbH at <https://www.dakks.de/en/accredited-bodies-search.html>.

This document is a translation. The definitive version is the original German accreditation certificate.

See notes overleaf.

WAGO Seminars

Learn Today – Benefit Tomorrow



Setting the Bar with Your Goals

Product-Related and Customer-Specific Seminars



Small Groups

The small class sizes of WAGO training seminars ensures that no question goes unanswered and no one is overlooked.



Teamwork

Learning as a group is very effective. Ideas can be discussed and exchanged while experiences can be shared – all for the benefit of the participants.



Practical Topics

Experience has shown that practice makes perfect. This is why the focus of every WAGO training seminar is on practical, hands-on learning.

WAGO Seminars

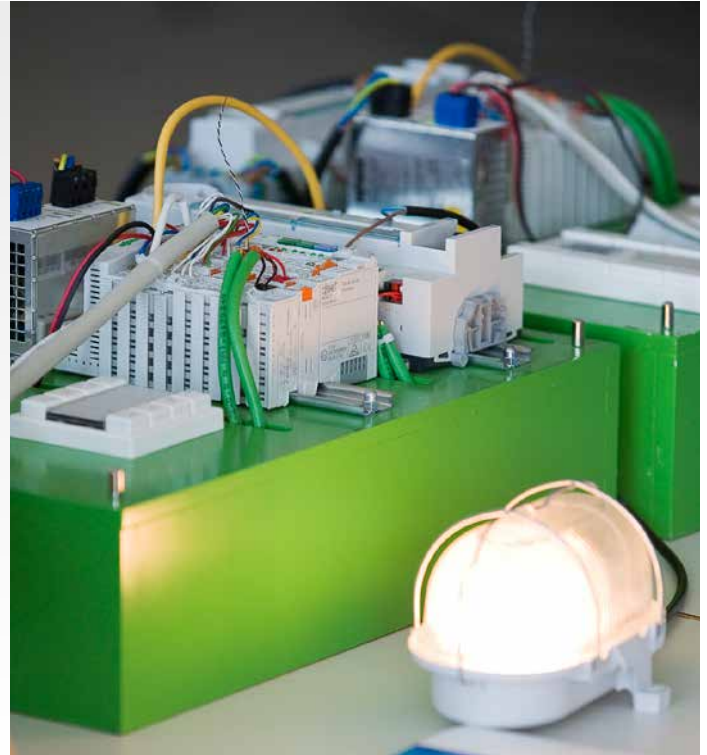
Experience the Benefits of First-Hand Knowledge and Expertise – Straight from the Source!

Our instructors are specialists who know all the ins and outs of WAGO's products. This ensures that the time devoted to each WAGO training seminar is an effective investment in expanding your own expertise.

Request your registration form by e-mail:

training@wago.com

**Contact your local
WAGO office.**



Product-Related Seminars

We regularly offer product-related seminars on the following topics:

- Building and industrial automation
- Programming of automation components
- Fieldbus systems

**Current seminars:
www.wago.com**

Customer-Specific Seminars

In addition to these "open" seminars, we also offer seminars specially tailored to your organization and its particular needs. that are specifically tailored to your organization.

Upon request, we can also conduct these seminars at your location.

**Special
corporate seminars**

Success for Generations: Environmental Protection at WAGO



At WAGO, we see environmental protection not only as compliance with environmental protection requirements.

As a growing company, our commitment to the environment drives our efforts to deliver new ideas, new concepts and new technologies along the product lifecycle. Here our employees and business partners support us.

Corporate environmental protection

Business growth also leads to higher consumption of resources. We have realized that the economic success of a company also depends on the achievement of environmental goals.

As a manufacturing company, we therefore support developments that make a contribution to environmental protection. In doing so, we always pursue individual material flows along the value chain, because we see resources, product design, production and consumption as a whole.

With our environmental management system certified in accordance with DIN EN ISO 14001, we ensure that the required national and international requirements are complied with in all areas of the company and that the concept of environmental protection is practiced in all corporate processes. In addition, WAGO is pursuing further efforts in the field of environmental protection that go far beyond the requirements of ISO

Some examples include the recycling of plastics, resource savings on product and packaging materials, the use of recycled paper throughout the company, the introduction of e-filling stations and the use of waste heat from production processes.

Product-related environmental protection

Product-related environmental protection is an important part of sustainable environmental management at WAGO. Ensuring compliance with substance bans / restrictions worldwide, such as: As REACH, RoHS has a high priority.

RoHS – Restriction of the use of certain Hazardous Substances

It is an EC directive that regulates the use of certain hazardous substances in electrical and electronic equipment. In addition to reducing the harmful effects on humans and the environment, legislation aims to improve recycling possibilities. WAGO closely monitors the development regarding RoHS and reacts promptly to specifications accordingly. For more information about RoHS please contact us via ehs-product-compliance@wago.com.

RoHS 
Compliant

Success for Generations: Environmental Protection at WAGO

REACH – Registration, Evaluation and Authorisation of Chemicals

On 01.06.2007 the regulation (EC) no. 1907/2006 (REACH regulation) came into force and since then forms a valid legal basis for all EU member states. To protect human health and the environment, this EU Chemicals Regulation aims to classify and identify all chemicals, including their effects.

The REACH Regulation creates specific obligations for each actor in the supply chain. The products manufactured by WAGO are to be designated as products in the sense of the regulation. Since products are not subject to registration, WAGO usually assumes the role of the downstream user in the supply chain. WAGO therefore has an obligation to provide information along the supply chain in accordance with REACH Article 33. WAGO is naturally aware of this obligation.

BOMcheck.net

For more information about our reporting requirements according to REACH Article 33 please visit our website "REACH SVHC Declaration" via www.wago.com/svhc

BOMcheck

European legislation such as REACH or RoHS requires the provision of information on restricted ingredients in products. This information must be shared by manufacturers and suppliers in the supply chain. WAGO meets this challenge in product-related environmental protection successfully and efficiently with BOMcheck.

BOMcheck is a centralized database for the declaration of ingredients. It is a compliance tool specifically designed to enable manufacturers and suppliers to produce their substance declarations under REACH, RoHS, and other restrictions on ingredients in an efficient and structured manner. This Internet database system increases data quality in the area of product-related environmental protection.

Further information on BOMcheck can be found at the following link: <http://www.bomcheck.net>

WEEE – Waste of Electrical and Electronic Equipment

The WEEE Directive 2012/19/EU regulates the take-back and recycling of electrical and electronic equipment. Manufacturers and importers of electrical and electronic equipment are obliged to register as a 'WEEE producer' and to comply with the reporting and take-back obligations. As a matter of course, we have taken compliance with legal WEEE requirements very seriously all the time - in our own interest as well as in the well-understood interest of our customers.

Only some of our products fall within the scope of the WEEE Directive and the Member State's implementation laws. These products are WEEE-compliant marked by us, as far as such a marking is legally required (which is not required for the B2B area Europe-wide).

For more information about WEEE please contact us via ehs-product-compliance@wago.com.

Less is more: our packaging

Recycling is the basis for choosing our packaging materials. All packaging used by WAGO can be recycled in the economic cycle without further pretreatment. In addition to the aspect of recycling, emphasis is placed on resource conservation. For this reason, our cardboard boxes consist of 80% recycled paper and are marked with the Resy symbol. The Resy symbol guarantees compliance with the Packaging Ordinance for transport packaging. The labeling is partly done by perforation. This process enables the colorless printing of WAGO cardboard boxes. This avoids unnecessary environmental pollution.



Indexes

Indexes

	Page
Item Number Index	420

Item Number Index

Item No.	Page	Item No.	Page	Item No.	Page	Item No.	Page
206 Series		770 Series		770 Series		770 Series	
206-118	400	770-204	198	770-292/082-000	126	770-608	171
206-1125	398	770-205	224	770-293	152	770-609	242
206-1126	398	770-212	126	770-293/081-000	152	770-611	245
206-1127	398	770-213	152	770-293/082-000	152	770-615	167
206-1128	398	770-213/002-000	153	770-294	199	770-617	240
206-1129	398	770-213/035-000	149	770-294/081-000	199	770-618	242
206-1131	398	770-214	199	770-295	225	770-619	237
206-1132	398	770-215	225	770-295/080-000	225	770-620	240
206-1403	398	770-221	133	770-295/082-000	225	770-621	240
206-1411	398	770-222	126	770-305	226	770-622	240
206-1412	398	770-223	151	770-310	135	770-623	168
206-1413	398	770-223/035-050	149	770-315	226	770-624	211
206-1414	398	770-224	198	770-317	384	770-625	241
206-1415	398	770-225	224	770-318	384	770-626	210
206-1418	398	770-232	126	770-319	385	770-627	210
206-2101	397	770-233	152	770-320	385	770-630	387
206-2102	397	770-233/002-000	153	770-321	385	770-633	168
206-2111	396	770-233/035-050	149	770-325	226	770-634	169
206-2112	396	770-234	199	770-335	226	770-635	168
206-2113	396	770-235	225	770-337	384	770-636	169
206-2114	396	770-242	126	770-338	384	770-637	172
206-2115	396	770-242/060-000	126	770-339	385	770-638	173
206-2116	396	770-243	151	770-340	385	770-640	244
206-2117	396	770-243/060-000	151	770-341	385	770-643	101
206-2120	396	770-243/062-000	151	770-354	167	770-644	201
206-2121	396	770-243/081-000	151	770-360	125	770-645	229
206-2122	396	770-244	198	770-382	125	770-653	165
206-2123	396	770-244/060-000	198	770-383	149	770-655	237
206-2130	396	770-244/062-000	198	770-401	373	770-656	167
206-2131	396	770-244/064-000	198	770-405	227	770-657	170
206-2132	396	770-245	224	770-408	159	770-658	171
206-2133	396	770-245/060-000	224	770-415	227	770-659	242
206-2141	397	770-245/062-000	224	770-418	159	770-661	245
206-2142	397	770-245/064-000	224	770-425	227	770-665	167
206-2151	397	770-252	126	770-428	159	770-667	167
206-2152	397	770-252/060-000	126	770-435	227	770-670	167
206-2163	397	770-253	152	770-438	159	770-671	240
206-2164	397	770-253/060-000	152	770-450	401	770-672	240
206-2165	397	770-253/062-000	152	770-450/000-001	401	770-673	168
206-2166	397	770-253/081-000	152	770-450/000-002	401	770-674	211
206-2167	397	770-254	199	770-450/000-005	401	770-675	241
206-2169	397	770-254/060-000	199	770-450/000-006	401	770-676	210
		770-254/062-000	199	770-450/000-012	399	770-677	210
		770-254/064-000	199	770-502/041-000	126	770-680	387
		770-255	225	770-502/042-000	126	770-683	168
		770-255/060-000	225	770-503	151	770-684	169
		770-255/062-000	225	770-503/020-000	379	770-685	168
		770-255/064-000	225	770-503/021-000	379	770-686	169
		770-262	126	770-503/023-000	378	770-687	172
		770-263	151	770-503/032-000	378	770-688	173
		770-263/071-000	151	770-503/035-000	379	770-690	244
		770-263/073-000	151	770-503/038-000	379	770-693	101
		770-264	198	770-504	198	770-694	201
		770-264/071-000	198	770-504/023-000	198	770-695	229
		770-264/072-000	198	770-505	224	770-703	155
		770-264/073-000	198	770-505/021-000	224	770-703/009-000	156
		770-265	224	770-505/023-000	224	770-704	201
		770-265/073-000	224	770-506/029-000	382	770-704/009-000	202
		770-272	126	770-507/047-000	383	770-705	229
		770-273	152	770-512/041-000	126	770-705/009-000	231
		770-273/071-000	152	770-512/042-000	126	770-713	156
		770-273/073-000	152	770-513	151	770-713/007-000	157
		770-274	199	770-513/021-000	379	770-714	201
		770-274/071-000	199	770-513/023-000	378	770-714/007-000	202
		770-274/072-000	199	770-513/032-000	378	770-715	230
		770-274/073-000	199	770-513/035-000	379	770-715/007-000	231
		770-275	225	770-513/038-000	379	770-723	155
		770-275/073-000	225	770-514	198	770-723/009-000	156
		770-282	126	770-514/023-000	198	770-724	201
		770-282/080-000	126	770-515	224	770-724/009-000	202
		770-282/082-000	126	770-515/021-000	224	770-725	229
		770-283	151	770-515/023-000	224	770-725/009-000	231
		770-283/081-000	151	770-516/029-000	382	770-733	156
		770-283/082-000	151	770-517/047-000	383	770-733/007-000	157
		770-284	198	770-523	377	770-734	201
		770-284/081-000	198	770-526	377	770-734/007-000	202
		770-285	224	770-601	375	770-735	230
		770-285/080-000	224	770-603	165	770-735/007-000	231
		770-285/082-000	224	770-605	237	770-743	155
		770-292	126	770-606	167	770-743/060-000	155
		770-292/080-000	126	770-607	170	770-743/062-000	155

Item No.	Page	Item No.	Page	Item No.	Page	Item No.	Page
770 Series							
770-744	201	770-843/060-000	161	770-884	205	770-1612	167
770-744/060-000	201	770-843/062-000	161	770-884/011-000	206	770-1613	167
770-744/062-000	201	770-844	205	770-884/011-000/081-000	206	770-1615	130
770-744/064-000	201	770-844/011-000	206	770-884/081-000	205	770-1626	131
770-745	229	770-844/011-000/060-000	206	770-885	233	770-1627	131
770-745/060-000	229	770-844/011-000/062-000	206	770-885/011-000	234	770-1631	210
770-745/062-000	229	770-844/011-000/064-000	206	770-885/011-000/080-000	234	770-1632	210
770-745/064-000	229	770-844/060-000	205	770-885/011-000/082-000	234	770-1633	210
770-753	156	770-844/062-000	205	770-885/080-000	233	770-1634	132
770-753/060-000	156	770-844/064-000	205	770-885/082-000	233	770-1636	132
770-753/062-000	156	770-845	233	770-893	161	770-1641	240
770-754	201	770-845/011-000	234	770-893/011-000	162	770-1642	240
770-754/060-000	201	770-845/011-000/060-000	234	770-893/011-000/081-000	162	770-1643	240
770-754/062-000	201	770-845/011-000/062-000	234	770-893/011-000/082-000	162	770-1651	132
770-754/064-000	201	770-845/011-000/064-000	234	770-893/081-000	161	770-1652	132
770-755	230	770-845/060-000	233	770-893/082-000	161	770-1653	132
770-755/060-000	230	770-845/062-000	233	770-894	205	770-1656	130
770-755/062-000	230	770-845/064-000	233	770-894/011-000	206	770-1658	131
770-755/064-000	230	770-853	161	770-894/011-000/081-000	206	770-1659	131
770-763	155	770-853/011-000	162	770-894/081-000	205	770-1660	131
770-763/071-000	155	770-853/011-000/060-000	162	770-895	233	770-1661	169
770-763/073-000	155	770-853/011-000/062-000	162	770-895/011-000	234	770-1662	169
770-764	201	770-853/060-000	161	770-895/011-000/080-000	234	770-1663	169
770-764/071-000	201	770-853/062-000	161	770-895/011-000/082-000	234	770-1665	130
770-764/072-000	201	770-854	205	770-895/080-000	233	770-1681	211
770-764/073-000	201	770-854/011-000	206	770-895/082-000	233	770-1682	211
770-765	229	770-854/011-000/060-000	206	770-901	237	770-1683	211
770-765/073-000	229	770-854/011-000/062-000	206	770-902	238	770-1684	132
770-773	156	770-854/011-000/064-000	206	770-903	238	770-1686	132
770-773/071-000	156	770-854/060-000	205	770-907	170	770-1701	130
770-773/073-000	156	770-854/062-000	205	770-909	242	770-1702	130
770-774	201	770-854/064-000	205	770-911	237	770-1703	130
770-774/071-000	201	770-855	233	770-912	238	770-1704	133
770-774/072-000	201	770-855/011-000	234	770-913	238	770-1705	133
770-774/073-000	201	770-855/011-000/060-000	234	770-921	240	770-1706	133
770-775	230	770-855/011-000/062-000	234	770-922	240	770-1712	167
770-775/073-000	230	770-855/011-000/064-000	234	770-934	169	770-1713	167
770-783	155	770-855/060-000	233	770-936	169	770-1714	170
770-783/081-000	155	770-855/062-000	233	770-940	244	770-1715	170
770-783/082-000	155	770-855/064-000	233	770-944	211	770-1716	170
770-784	201	770-863	161	770-945	211	770-1731	210
770-784/081-000	201	770-863/011-000	162	770-951	237	770-1732	210
770-785	229	770-863/011-000/071-000	162	770-952	238	770-1733	210
770-785/080-000	229	770-863/011-000/073-000	162	770-953	238	770-1734	212
770-785/082-000	229	770-863/071-000	161	770-967	167	770-1735	212
770-793	156	770-863/073-000	161	770-970	167	770-1736	212
770-793/081-000	156	770-864	205	770-992	241	770-1741	240
770-793/082-000	156	770-864/011-000	206	770-993	241	770-1742	240
770-794	201	770-864/011-000/071-000	206	770-994	211	770-1743	240
770-794/081-000	201	770-864/011-000/072-000	206	770-995	211	770-1744	242
770-795	230	770-864/011-000/073-000	206	770-1102	126	770-1745	242
770-795/080-000	230	770-864/071-000	205	770-1105	224	770-1746	242
770-795/082-000	230	770-864/072-000	205	770-1112	126	770-1751	132
770-803	161	770-864/073-000	205	770-1115	225	770-1752	132
770-803/011-000	162	770-865	233	770-1162	126	770-1753	132
770-804	205	770-865/011-000	234	770-1165	224	770-1761	169
770-804/011-000	206	770-865/073-000	233	770-1172	126	770-1762	169
770-805	233	770-873	161	770-1175	225	770-1763	169
770-805/011-000	234	770-873/011-000	162	770-1303	151	770-1764	168
770-813	161	770-873/011-000/071-000	162	770-1305	224	770-1765	168
770-813/011-000	162	770-873/011-000/073-000	162	770-1313	152	770-1766	168
770-814	205	770-873/071-000	161	770-1315	225	770-1767	168
770-814/011-000	206	770-873/073-000	161	770-1324	198	770-1768	168
770-815	233	770-874	205	770-1325	224	770-1769	168
770-815/011-000	234	770-874/011-000	206	770-1334	199	770-1781	211
770-823	161	770-874/011-000/071-000	206	770-1335	225	770-1782	211
770-823/011-000	162	770-874/011-000/072-000	206	770-1343	151	770-1783	211
770-824	205	770-874/011-000/073-000	206	770-1353	152	770-1947	243
770-824/011-000	206	770-874/071-000	205	770-1363	151	770-2105	229
770-825	233	770-874/072-000	205	770-1373	152	770-2115	230
770-825/011-000	234	770-874/073-000	205	770-1373/146-000	172	770-2115/007-000	231
770-833	161	770-875	233	770-1373/147-000	172	770-2303	155
770-833/011-000	162	770-875/011-000	234	770-1373/148-000	172	770-2305	229
770-834	205	770-875/011-000/073-000	234	770-1373/149-000	172	770-2313	156
770-834/011-000	206	770-875/073-000	233	770-1601	130	770-2313/007-000	157
770-835	233	770-883	161	770-1602	130	770-2315	230
770-835/011-000	234	770-883/011-000	162	770-1603	130	770-2324	201
770-843	161	770-883/011-000/081-000	162	770-1606	130	770-2325	229
770-843/011-000	162	770-883/011-000/082-000	162	770-1608	131	770-2334	201
770-843/011-000/060-000	162	770-883/081-000	161	770-1609	131	770-2334/007-000	202
770-843/011-000/062-000	162	770-883/082-000	161	770-1610	131	770-2335	230

Item Number Index

Item No.	Page	Item No.	Page	Item No.	Page	Item No.	Page
770 Series		771 Series		771 Series		771 Series	
770-2335/007-000	231	771-6993/007-302	177	771-6993/116-401	176	771-6993/217-402	178
770-2343	155	771-6993/007-401	177	771-6993/116-402	176	771-6993/217-501	178
770-2353	156	771-6993/007-402	177	771-6993/116-501	176	771-6993/217-502	178
770-2363	155	771-6993/007-501	177	771-6993/116-502	176	771-6993/217-601	178
770-3105	233	771-6993/007-502	177	771-6993/116-601	176	771-6993/217-602	178
770-3105/011-000	234	771-6993/007-601	177	771-6993/116-602	176	771-6993/217-701	178
770-3115	233	771-6993/007-602	177	771-6993/116-701	176	771-6993/217-702	178
770-3115/011-000	234	771-6993/007-701	177	771-6993/116-702	176	771-6993/217-801	178
770-6223	166	771-6993/007-702	177	771-6993/116-801	176	771-6993/217-802	178
770-6224	209	771-6993/007-801	177	771-6993/116-802	176	771-8965/007-101	253
770-6225	239	771-6993/007-802	177	771-6993/117-101	178	771-8965/007-102	253
770-7102	129	771-6993/016-101	176	771-6993/117-102	178	771-8965/007-201	253
770-7105	239	771-6993/016-102	176	771-6993/117-201	178	771-8965/007-202	253
770-7502	129	771-6993/016-201	176	771-6993/117-202	178	771-8965/017-101	254
770-7505	239	771-6993/016-202	176	771-6993/117-301	178	771-8965/017-102	254
		771-6993/016-301	176	771-6993/117-302	178	771-8965/017-201	254
		771-6993/016-302	176	771-6993/117-401	178	771-8965/017-202	254
		771-6993/016-401	176	771-6993/117-402	178	771-8965/107-101	253
		771-6993/016-402	176	771-6993/117-501	178	771-8965/107-102	253
		771-6993/016-501	176	771-6993/117-502	178	771-8965/107-201	253
		771-6993/016-502	176	771-6993/117-601	178	771-8965/107-202	253
		771-6993/016-601	176	771-6993/117-602	178	771-8965/117-101	254
		771-6993/016-602	176	771-6993/117-701	178	771-8965/117-102	254
		771-6993/016-701	176	771-6993/117-702	178	771-8965/117-201	254
		771-6993/016-702	176	771-6993/117-801	178	771-8965/117-202	254
		771-6993/016-801	176	771-6993/117-802	178	771-8982/006-101	141
		771-6993/016-802	176	771-6993/206-101	175	771-8982/006-102	141
		771-6993/017-101	178	771-6993/206-102	175	771-8982/006-103	143
		771-6993/017-102	178	771-6993/206-201	175	771-8982/006-104	143
		771-6993/017-201	178	771-6993/206-202	175	771-8982/006-201	141
		771-6993/017-202	178	771-6993/206-301	175	771-8982/006-202	141
		771-6993/017-301	178	771-6993/206-302	175	771-8982/006-203	143
		771-6993/017-302	178	771-6993/206-401	175	771-8982/006-204	143
		771-6993/017-401	178	771-6993/206-402	175	771-8982/006-301	141
		771-6993/017-402	178	771-6993/206-501	175	771-8982/006-302	141
		771-6993/017-501	178	771-6993/206-502	175	771-8982/006-303	143
		771-6993/017-502	178	771-6993/206-601	175	771-8982/006-304	143
		771-6993/017-601	178	771-6993/206-602	175	771-8982/006-401	141
		771-6993/017-602	178	771-6993/206-701	175	771-8982/006-402	141
		771-6993/017-701	178	771-6993/206-702	175	771-8982/006-403	143
		771-6993/017-702	178	771-6993/206-801	175	771-8982/006-404	143
		771-6993/017-801	178	771-6993/206-802	175	771-8982/006-501	141
		771-6993/017-802	178	771-6993/207-101	177	771-8982/006-502	141
		771-6993/106-101	175	771-6993/207-102	177	771-8982/006-503	143
		771-6993/106-102	175	771-6993/207-201	177	771-8982/006-504	143
		771-6993/106-201	175	771-6993/207-202	177	771-8982/006-601	141
		771-6993/106-202	175	771-6993/207-301	177	771-8982/006-602	141
		771-6993/106-301	175	771-6993/207-302	177	771-8982/006-603	143
		771-6993/106-302	175	771-6993/207-401	177	771-8982/006-604	143
		771-6993/106-401	175	771-6993/207-402	177	771-8982/006-701	141
		771-6993/106-402	175	771-6993/207-501	177	771-8982/006-702	141
		771-6993/106-501	175	771-6993/207-502	177	771-8982/006-703	143
		771-6993/106-502	175	771-6993/207-601	177	771-8982/006-704	143
		771-6993/106-601	175	771-6993/207-602	177	771-8982/006-801	141
		771-6993/106-602	175	771-6993/207-701	177	771-8982/006-802	141
		771-6993/106-701	175	771-6993/207-702	177	771-8982/006-803	143
		771-6993/106-702	175	771-6993/207-801	177	771-8982/006-804	143
		771-6993/106-801	175	771-6993/207-802	177	771-8982/007-103	145
		771-6993/106-802	175	771-6993/216-101	176	771-8982/007-104	145
		771-6993/107-101	177	771-6993/216-102	176	771-8982/007-203	145
		771-6993/107-102	177	771-6993/216-201	176	771-8982/007-204	145
		771-6993/107-201	177	771-6993/216-202	176	771-8982/007-303	145
		771-6993/107-202	177	771-6993/216-301	176	771-8982/007-304	145
		771-6993/107-301	177	771-6993/216-302	176	771-8982/007-403	145
		771-6993/107-302	177	771-6993/216-401	176	771-8982/007-404	145
		771-6993/107-401	177	771-6993/216-402	176	771-8982/007-503	145
		771-6993/107-402	177	771-6993/216-501	176	771-8982/007-504	145
		771-6993/107-501	177	771-6993/216-502	176	771-8982/007-603	145
		771-6993/107-502	177	771-6993/216-601	176	771-8982/007-604	145
		771-6993/107-601	177	771-6993/216-602	176	771-8982/007-703	145
		771-6993/107-602	177	771-6993/216-701	176	771-8982/007-704	145
		771-6993/107-701	177	771-6993/216-702	176	771-8982/007-803	145
		771-6993/107-702	177	771-6993/216-801	176	771-8982/007-804	145
		771-6993/107-801	177	771-6993/216-802	176	771-8982/016-101	142
		771-6993/107-802	177	771-6993/217-101	178	771-8982/016-102	142
		771-6993/116-101	176	771-6993/217-102	178	771-8982/016-103	144
		771-6993/116-102	176	771-6993/217-201	178	771-8982/016-104	144
		771-6993/116-201	176	771-6993/217-202	178	771-8982/016-201	142
		771-6993/116-202	176	771-6993/217-301	178	771-8982/016-202	142
		771-6993/116-301	176	771-6993/217-302	178	771-8982/016-203	144
		771-6993/116-302	176	771-6993/217-401	178	771-8982/016-204	144

Item No.	Page	Item No.	Page	Item No.	Page	Item No.	Page
771 Series		771 Series		771 Series		771 Series	
771-8982/016-301	142	771-8982/107-504	145	771-8982/206-703	143	771-8985/006-604	265
771-8982/016-302	142	771-8982/107-603	145	771-8982/206-704	143	771-8985/006-703	265
771-8982/016-303	144	771-8982/107-604	145	771-8982/206-801	141	771-8985/006-704	265
771-8982/016-304	144	771-8982/107-703	145	771-8982/206-802	141	771-8985/006-803	265
771-8982/016-401	142	771-8982/107-704	145	771-8982/206-803	143	771-8985/006-804	265
771-8982/016-402	142	771-8982/107-803	145	771-8982/206-804	143	771-8985/007-103	267
771-8982/016-403	144	771-8982/107-804	145	771-8982/207-103	145	771-8985/007-104	267
771-8982/016-404	144	771-8982/116-101	142	771-8982/207-104	145	771-8985/007-203	267
771-8982/016-501	142	771-8982/116-102	142	771-8982/207-203	145	771-8985/007-204	267
771-8982/016-502	142	771-8982/116-103	144	771-8982/207-204	145	771-8985/007-303	267
771-8982/016-503	144	771-8982/116-104	144	771-8982/207-303	145	771-8985/007-304	267
771-8982/016-504	144	771-8982/116-201	142	771-8982/207-304	145	771-8985/007-403	267
771-8982/016-601	142	771-8982/116-202	142	771-8982/207-403	145	771-8985/007-404	267
771-8982/016-602	142	771-8982/116-203	144	771-8982/207-404	145	771-8985/007-503	267
771-8982/016-603	144	771-8982/116-204	144	771-8982/207-503	145	771-8985/007-504	267
771-8982/016-604	144	771-8982/116-301	142	771-8982/207-504	145	771-8985/007-603	267
771-8982/016-701	142	771-8982/116-302	142	771-8982/207-603	145	771-8985/007-604	267
771-8982/016-702	142	771-8982/116-303	144	771-8982/207-604	145	771-8985/007-703	267
771-8982/016-703	144	771-8982/116-304	144	771-8982/207-703	145	771-8985/007-704	267
771-8982/016-704	144	771-8982/116-401	142	771-8982/207-704	145	771-8985/007-803	267
771-8982/016-801	142	771-8982/116-402	142	771-8982/207-803	145	771-8985/007-804	267
771-8982/016-802	142	771-8982/116-403	144	771-8982/207-804	145	771-8985/016-103	266
771-8982/016-803	144	771-8982/116-404	144	771-8982/216-101	142	771-8985/016-104	266
771-8982/016-804	144	771-8982/116-501	142	771-8982/216-102	142	771-8985/016-203	266
771-8982/017-103	146	771-8982/116-502	142	771-8982/216-103	144	771-8985/016-204	266
771-8982/017-104	146	771-8982/116-503	144	771-8982/216-104	144	771-8985/016-303	266
771-8982/017-203	146	771-8982/116-504	144	771-8982/216-201	142	771-8985/016-304	266
771-8982/017-204	146	771-8982/116-601	142	771-8982/216-202	142	771-8985/016-403	266
771-8982/017-303	146	771-8982/116-602	142	771-8982/216-203	144	771-8985/016-404	266
771-8982/017-304	146	771-8982/116-603	144	771-8982/216-204	144	771-8985/016-503	266
771-8982/017-403	146	771-8982/116-604	144	771-8982/216-301	142	771-8985/016-504	266
771-8982/017-404	146	771-8982/116-701	142	771-8982/216-302	142	771-8985/016-603	266
771-8982/017-503	146	771-8982/116-702	142	771-8982/216-303	144	771-8985/016-604	266
771-8982/017-504	146	771-8982/116-703	144	771-8982/216-304	144	771-8985/016-703	266
771-8982/017-603	146	771-8982/116-704	144	771-8982/216-401	142	771-8985/016-704	266
771-8982/017-604	146	771-8982/116-801	142	771-8982/216-402	142	771-8985/016-803	266
771-8982/017-703	146	771-8982/116-802	142	771-8982/216-403	144	771-8985/016-804	266
771-8982/017-704	146	771-8982/116-803	144	771-8982/216-404	144	771-8985/017-103	268
771-8982/017-803	146	771-8982/116-804	144	771-8982/216-501	142	771-8985/017-104	268
771-8982/017-804	146	771-8982/117-103	146	771-8982/216-502	142	771-8985/017-203	268
771-8982/106-101	141	771-8982/117-104	146	771-8982/216-503	144	771-8985/017-204	268
771-8982/106-102	141	771-8982/117-203	146	771-8982/216-504	144	771-8985/017-303	268
771-8982/106-103	143	771-8982/117-204	146	771-8982/216-601	142	771-8985/017-304	268
771-8982/106-104	143	771-8982/117-303	146	771-8982/216-602	142	771-8985/017-403	268
771-8982/106-201	141	771-8982/117-304	146	771-8982/216-603	144	771-8985/017-404	268
771-8982/106-202	141	771-8982/117-403	146	771-8982/216-604	144	771-8985/017-503	268
771-8982/106-203	143	771-8982/117-404	146	771-8982/216-701	142	771-8985/017-504	268
771-8982/106-204	143	771-8982/117-503	146	771-8982/216-702	142	771-8985/017-603	268
771-8982/106-301	141	771-8982/117-504	146	771-8982/216-703	144	771-8985/017-604	268
771-8982/106-302	141	771-8982/117-603	146	771-8982/216-704	144	771-8985/017-703	268
771-8982/106-303	143	771-8982/117-604	146	771-8982/216-801	142	771-8985/017-704	268
771-8982/106-304	143	771-8982/117-703	146	771-8982/216-802	142	771-8985/017-803	268
771-8982/106-401	141	771-8982/117-704	146	771-8982/216-803	144	771-8985/017-804	268
771-8982/106-402	141	771-8982/117-803	146	771-8982/216-804	144	771-8985/106-103	265
771-8982/106-403	143	771-8982/117-804	146	771-8982/217-103	146	771-8985/106-104	265
771-8982/106-404	143	771-8982/206-101	141	771-8982/217-104	146	771-8985/106-203	265
771-8982/106-501	141	771-8982/206-102	141	771-8982/217-203	146	771-8985/106-204	265
771-8982/106-502	141	771-8982/206-103	143	771-8982/217-204	146	771-8985/106-303	265
771-8982/106-503	143	771-8982/206-104	143	771-8982/217-303	146	771-8985/106-304	265
771-8982/106-504	143	771-8982/206-201	141	771-8982/217-304	146	771-8985/106-403	265
771-8982/106-601	141	771-8982/206-202	141	771-8982/217-403	146	771-8985/106-404	265
771-8982/106-602	141	771-8982/206-203	143	771-8982/217-404	146	771-8985/106-503	265
771-8982/106-603	143	771-8982/206-204	143	771-8982/217-503	146	771-8985/106-504	265
771-8982/106-604	143	771-8982/206-301	141	771-8982/217-504	146	771-8985/106-603	265
771-8982/106-701	141	771-8982/206-302	141	771-8982/217-603	146	771-8985/106-604	265
771-8982/106-702	141	771-8982/206-303	143	771-8982/217-604	146	771-8985/106-703	265
771-8982/106-703	143	771-8982/206-304	143	771-8982/217-703	146	771-8985/106-704	265
771-8982/106-704	143	771-8982/206-401	141	771-8982/217-704	146	771-8985/106-803	265
771-8982/106-801	141	771-8982/206-402	141	771-8982/217-803	146	771-8985/106-804	265
771-8982/106-802	141	771-8982/206-403	143	771-8982/217-804	146	771-8985/107-103	267
771-8982/106-803	143	771-8982/206-404	143	771-8985/006-103	265	771-8985/107-104	267
771-8982/106-804	143	771-8982/206-501	141	771-8985/006-104	265	771-8985/107-203	267
771-8982/107-103	145	771-8982/206-502	141	771-8985/006-203	265	771-8985/107-204	267
771-8982/107-104	145	771-8982/206-503	143	771-8985/006-204	265	771-8985/107-303	267
771-8982/107-203	145	771-8982/206-504	143	771-8985/006-303	265	771-8985/107-304	267
771-8982/107-204	145	771-8982/206-601	141	771-8985/006-304	265	771-8985/107-403	267
771-8982/107-303	145	771-8982/206-602	141	771-8985/006-403	265	771-8985/107-404	267
771-8982/107-304	145	771-8982/206-603	143	771-8985/006-404	265	771-8985/107-503	267
771-8982/107-403	145	771-8982/206-604	143	771-8985/006-503	265	771-8985/107-504	267
771-8982/107-404	145	771-8982/206-701	141	771-8985/006-504	265	771-8985/107-603	267
771-8982/107-503	145	771-8982/206-702	141	771-8985/006-603	265	771-8985/107-604	267

Item No.	Page
771 Series	
771-8992/117-802	138
771-8992/205-103	139
771-8992/205-105	139
771-8992/205-107	139
771-8992/205-203	139
771-8992/205-205	139
771-8992/205-207	139
771-8992/205-303	139
771-8992/205-305	139
771-8992/205-307	139
771-8992/205-403	139
771-8992/205-405	139
771-8992/205-407	139
771-8992/205-503	139
771-8992/205-505	139
771-8992/205-507	139
771-8992/205-603	139
771-8992/205-605	139
771-8992/205-607	139
771-8992/205-703	139
771-8992/205-705	139
771-8992/205-707	139
771-8992/205-803	139
771-8992/205-805	139
771-8992/205-807	139
771-8992/206-101	135
771-8992/206-102	135
771-8992/206-103	140
771-8992/206-105	140
771-8992/206-107	140
771-8992/206-201	135
771-8992/206-202	135
771-8992/206-203	140
771-8992/206-205	140
771-8992/206-207	140
771-8992/206-301	135
771-8992/206-302	135
771-8992/206-303	140
771-8992/206-305	140
771-8992/206-307	140
771-8992/206-401	135
771-8992/206-402	135
771-8992/206-403	140
771-8992/206-405	140
771-8992/206-407	140
771-8992/206-501	135
771-8992/206-502	135
771-8992/206-503	140
771-8992/206-505	140
771-8992/206-507	140
771-8992/206-601	135
771-8992/206-602	135
771-8992/206-603	140
771-8992/206-605	140
771-8992/206-607	140
771-8992/206-701	135
771-8992/206-702	135
771-8992/206-703	140
771-8992/206-705	140
771-8992/206-707	140
771-8992/206-801	135
771-8992/206-802	135
771-8992/206-803	140
771-8992/206-805	140
771-8992/206-807	140
771-8992/207-101	137
771-8992/207-102	137
771-8992/207-201	137
771-8992/207-202	137
771-8992/207-301	137
771-8992/207-302	137
771-8992/207-401	137
771-8992/207-402	137
771-8992/207-501	137
771-8992/207-502	137
771-8992/207-601	137
771-8992/207-602	137
771-8992/207-701	137
771-8992/207-702	137
771-8992/207-801	137
771-8992/207-802	137

Item No.	Page
771 Series	
771-8992/216-101	136
771-8992/216-102	136
771-8992/216-201	136
771-8992/216-202	136
771-8992/216-301	136
771-8992/216-302	136
771-8992/216-401	136
771-8992/216-402	136
771-8992/216-501	136
771-8992/216-502	136
771-8992/216-601	136
771-8992/216-602	136
771-8992/216-701	136
771-8992/216-702	136
771-8992/216-801	136
771-8992/216-802	136
771-8992/217-101	138
771-8992/217-102	138
771-8992/217-201	138
771-8992/217-202	138
771-8992/217-301	138
771-8992/217-302	138
771-8992/217-401	138
771-8992/217-402	138
771-8992/217-501	138
771-8992/217-502	138
771-8992/217-601	138
771-8992/217-602	138
771-8992/217-701	138
771-8992/217-702	138
771-8992/217-801	138
771-8992/217-802	138
771-8993/1004-051	183
771-8995/008-101	251
771-8995/008-201	251
771-8995/008-301	251
771-8995/008-401	251
771-8995/008-501	251
771-8995/008-601	251
771-8995/008-701	251
771-8995/008-801	251
771-8995/018-101	252
771-8995/018-201	252
771-8995/018-301	252
771-8995/018-401	252
771-8995/018-501	252
771-8995/018-601	252
771-8995/018-701	252
771-8995/018-801	252
771-8995/108-101	251
771-8995/108-201	251
771-8995/108-301	251
771-8995/108-401	251
771-8995/108-501	251
771-8995/108-601	251
771-8995/108-701	251
771-8995/108-801	251
771-8995/118-101	252
771-8995/118-201	252
771-8995/118-301	252
771-8995/118-401	252
771-8995/118-501	252
771-8995/118-601	252
771-8995/118-701	252
771-8995/118-801	252
771-8995/208-101	251
771-8995/208-201	251
771-8995/208-301	251
771-8995/208-401	251
771-8995/208-501	251
771-8995/208-601	251
771-8995/208-701	251
771-8995/208-801	251
771-8995/218-101	252
771-8995/218-201	252
771-8995/218-301	252
771-8995/218-401	252
771-8995/218-501	252
771-8995/218-601	252
771-8995/218-701	252
771-8995/218-801	252

Item No.	Page
771 Series	
771-9973/006-101	187
771-9973/006-102	187
771-9973/006-105	191
771-9973/006-201	187
771-9973/006-202	187
771-9973/006-205	191
771-9973/006-301	187
771-9973/006-302	187
771-9973/006-305	191
771-9973/006-401	187
771-9973/006-402	187
771-9973/006-405	191
771-9973/006-501	187
771-9973/006-502	187
771-9973/006-505	191
771-9973/006-601	187
771-9973/006-602	187
771-9973/006-605	191
771-9973/006-701	187
771-9973/006-702	187
771-9973/006-705	191
771-9973/006-801	187
771-9973/006-802	187
771-9973/006-805	191
771-9973/007-101	189
771-9973/007-102	189
771-9973/007-201	189
771-9973/007-202	189
771-9973/007-301	189
771-9973/007-302	189
771-9973/007-401	189
771-9973/007-402	189
771-9973/007-501	189
771-9973/007-502	189
771-9973/007-601	189
771-9973/007-602	189
771-9973/007-701	189
771-9973/007-702	189
771-9973/007-801	189
771-9973/016-101	188
771-9973/016-102	188
771-9973/016-105	192
771-9973/016-201	188
771-9973/016-202	188
771-9973/016-205	192
771-9973/016-301	188
771-9973/016-302	188
771-9973/016-305	192
771-9973/016-401	188
771-9973/016-402	188
771-9973/016-405	192
771-9973/016-501	188
771-9973/016-502	188
771-9973/016-505	192
771-9973/016-601	188
771-9973/016-602	188
771-9973/016-605	192
771-9973/016-701	188
771-9973/016-702	188
771-9973/016-705	192
771-9973/016-801	188
771-9973/016-802	188
771-9973/016-805	192
771-9973/017-101	190
771-9973/017-102	190
771-9973/017-201	190
771-9973/017-202	190
771-9973/017-301	190
771-9973/017-302	190
771-9973/017-401	190
771-9973/017-402	190
771-9973/017-501	190
771-9973/017-502	190
771-9973/017-601	190
771-9973/017-602	190
771-9973/017-701	190
771-9973/017-702	190
771-9973/017-801	190
771-9973/017-802	190
771-9973/106-101	187

Item No.	Page
771 Series	
771-9973/106-102	187
771-9973/106-201	187
771-9973/106-202	187
771-9973/106-301	187
771-9973/106-302	187
771-9973/106-401	187
771-9973/106-402	187
771-9973/106-501	187
771-9973/106-502	187
771-9973/106-601	187
771-9973/106-602	187
771-9973/106-701	187
771-9973/106-702	187
771-9973/106-801	187
771-9973/106-802	187
771-9973/107-101	189
771-9973/107-102	189
771-9973/107-201	189
771-9973/107-202	189
771-9973/107-301	189
771-9973/107-302	189
771-9973/107-401	189
771-9973/107-402	189
771-9973/107-501	189
771-9973/107-502	189
771-9973/107-601	189
771-9973/107-602	189
771-9973/107-701	189
771-9973/107-702	189
771-9973/107-801	189
771-9973/107-802	189
771-9973/116-101	188
771-9973/116-102	188
771-9973/116-201	188
771-9973/116-202	188
771-9973/116-301	188
771-9973/116-302	188
771-9973/116-401	188
771-9973/116-402	188
771-9973/116-501	188
771-9973/116-502	188
771-9973/116-601	188
771-9973/116-602	188
771-9973/116-701	188
771-9973/116-702	188
771-9973/116-801	188
771-9973/116-802	188
771-9973/117-101	190
771-9973/117-102	190
771-9973/117-201	190
771-9973/117-202	190
771-9973/117-301	190
771-9973/117-302	190
771-9973/117-401	190
771-9973/117-402	190
771-9973/117-501	190
771-9973/117-502	190
771-9973/117-601	190
771-9973/117-602	190
771-9973/117-701	190
771-9973/117-702	190
771-9973/117-801	190
771-9973/117-802	190
771-9973/206-101	187
771-9973/206-102	187
771-9973/206-105	191
771-9973/206-201	187
771-9973/206-202	187
771-9973/206-204	191
771-9973/206-205	191
771-9973/206-301	187
771-9973/206-302	187
771-9973/206-304	191
771-9973/206-305	191
771-9973/206-401	187
771-9973/206-402	187
771-9973/206-404	191
771-9973/206-405	191
771-9973/206-501	187
771-9973/206-502	187

Item No.	Page	Item No.	Page	Item No.	Page	Item No.	Page
771 Series		771 Series		771 Series		771 Series	
771-9985/017-401	260	771-9985/206-401	257	771-9993/005-807	185	771-9993/017-202	182
771-9985/017-402	260	771-9985/206-402	257	771-9993/006-101	179	771-9993/017-301	182
771-9985/017-501	260	771-9985/206-501	257	771-9993/006-102	179	771-9993/017-302	182
771-9985/017-502	260	771-9985/206-502	257	771-9993/006-103	186	771-9993/017-401	182
771-9985/017-601	260	771-9985/206-601	257	771-9993/006-105	186	771-9993/017-402	182
771-9985/017-602	260	771-9985/206-602	257	771-9993/006-107	186	771-9993/017-501	182
771-9985/017-701	260	771-9985/206-701	257	771-9993/006-201	179	771-9993/017-502	182
771-9985/017-702	260	771-9985/206-702	257	771-9993/006-202	179	771-9993/017-601	182
771-9985/017-801	260	771-9985/206-801	257	771-9993/006-203	186	771-9993/017-602	182
771-9985/017-802	260	771-9985/206-802	257	771-9993/006-205	186	771-9993/017-701	182
771-9985/106-101	257	771-9985/207-101	259	771-9993/006-207	186	771-9993/017-702	182
771-9985/106-102	257	771-9985/207-102	259	771-9993/006-301	179	771-9993/017-801	182
771-9985/106-201	257	771-9985/207-201	259	771-9993/006-302	179	771-9993/017-802	182
771-9985/106-202	257	771-9985/207-202	259	771-9993/006-303	186	771-9993/105-103	185
771-9985/106-301	257	771-9985/207-301	259	771-9993/006-305	186	771-9993/105-105	185
771-9985/106-302	257	771-9985/207-302	259	771-9993/006-307	186	771-9993/105-107	185
771-9985/106-401	257	771-9985/207-401	259	771-9993/006-401	179	771-9993/105-203	185
771-9985/106-402	257	771-9985/207-402	259	771-9993/006-402	179	771-9993/105-205	185
771-9985/106-501	257	771-9985/207-501	259	771-9993/006-403	186	771-9993/105-207	185
771-9985/106-502	257	771-9985/207-502	259	771-9993/006-405	186	771-9993/105-303	185
771-9985/106-601	257	771-9985/207-601	259	771-9993/006-407	186	771-9993/105-305	185
771-9985/106-602	257	771-9985/207-602	259	771-9993/006-501	179	771-9993/105-307	185
771-9985/106-701	257	771-9985/207-701	259	771-9993/006-502	179	771-9993/105-403	185
771-9985/106-702	257	771-9985/207-702	259	771-9993/006-503	186	771-9993/105-405	185
771-9985/106-801	257	771-9985/207-801	259	771-9993/006-505	186	771-9993/105-407	185
771-9985/106-802	257	771-9985/207-802	259	771-9993/006-507	186	771-9993/105-503	185
771-9985/107-101	259	771-9985/216-101	258	771-9993/006-601	179	771-9993/105-505	185
771-9985/107-102	259	771-9985/216-102	258	771-9993/006-602	179	771-9993/105-507	185
771-9985/107-201	259	771-9985/216-201	258	771-9993/006-603	186	771-9993/105-603	185
771-9985/107-202	259	771-9985/216-202	258	771-9993/006-605	186	771-9993/105-605	185
771-9985/107-301	259	771-9985/216-301	258	771-9993/006-607	186	771-9993/105-607	185
771-9985/107-302	259	771-9985/216-302	258	771-9993/006-701	179	771-9993/105-703	185
771-9985/107-401	259	771-9985/216-401	258	771-9993/006-702	179	771-9993/105-705	185
771-9985/107-402	259	771-9985/216-402	258	771-9993/006-703	186	771-9993/105-707	185
771-9985/107-501	259	771-9985/216-501	258	771-9993/006-705	186	771-9993/105-803	185
771-9985/107-502	259	771-9985/216-502	258	771-9993/006-707	186	771-9993/105-805	185
771-9985/107-601	259	771-9985/216-601	258	771-9993/006-801	179	771-9993/105-807	185
771-9985/107-602	259	771-9985/216-602	258	771-9993/006-802	179	771-9993/106-101	179
771-9985/107-701	259	771-9985/216-701	258	771-9993/006-803	186	771-9993/106-102	179
771-9985/107-702	259	771-9985/216-702	258	771-9993/006-805	186	771-9993/106-103	186
771-9985/107-801	259	771-9985/216-801	258	771-9993/006-807	186	771-9993/106-105	186
771-9985/107-802	259	771-9985/216-802	258	771-9993/007-101	181	771-9993/106-107	186
771-9985/116-101	258	771-9985/217-101	260	771-9993/007-102	181	771-9993/106-201	179
771-9985/116-102	258	771-9985/217-102	260	771-9993/007-201	181	771-9993/106-202	179
771-9985/116-201	258	771-9985/217-201	260	771-9993/007-202	181	771-9993/106-203	186
771-9985/116-202	258	771-9985/217-202	260	771-9993/007-301	181	771-9993/106-205	186
771-9985/116-301	258	771-9985/217-301	260	771-9993/007-302	181	771-9993/106-207	186
771-9985/116-302	258	771-9985/217-302	260	771-9993/007-401	181	771-9993/106-301	179
771-9985/116-401	258	771-9985/217-401	260	771-9993/007-402	181	771-9993/106-302	179
771-9985/116-402	258	771-9985/217-402	260	771-9993/007-501	181	771-9993/106-303	186
771-9985/116-501	258	771-9985/217-501	260	771-9993/007-502	181	771-9993/106-305	186
771-9985/116-502	258	771-9985/217-502	260	771-9993/007-601	181	771-9993/106-307	186
771-9985/116-601	258	771-9985/217-601	260	771-9993/007-602	181	771-9993/106-401	179
771-9985/116-602	258	771-9985/217-602	260	771-9993/007-701	181	771-9993/106-402	179
771-9985/116-701	258	771-9985/217-701	260	771-9993/007-702	181	771-9993/106-403	186
771-9985/116-702	258	771-9985/217-702	260	771-9993/007-801	181	771-9993/106-405	186
771-9985/116-801	258	771-9985/217-801	260	771-9993/007-802	181	771-9993/106-407	186
771-9985/116-802	258	771-9985/217-802	260	771-9993/007-1001	181	771-9993/106-501	179
771-9985/117-101	260	771-9993/005-103	185	771-9993/007-1002	181	771-9993/106-502	179
771-9985/117-102	260	771-9993/005-105	185	771-9993/007-1201	181	771-9993/106-503	186
771-9985/117-201	260	771-9993/005-107	185	771-9993/007-1202	181	771-9993/106-505	186
771-9985/117-202	260	771-9993/005-203	185	771-9993/007-1401	181	771-9993/106-507	186
771-9985/117-301	260	771-9993/005-205	185	771-9993/016-101	180	771-9993/106-601	179
771-9985/117-302	260	771-9993/005-207	185	771-9993/016-102	180	771-9993/106-602	179
771-9985/117-401	260	771-9993/005-303	185	771-9993/016-201	180	771-9993/106-603	186
771-9985/117-402	260	771-9993/005-305	185	771-9993/016-202	180	771-9993/106-605	186
771-9985/117-501	260	771-9993/005-307	185	771-9993/016-301	180	771-9993/106-607	186
771-9985/117-502	260	771-9993/005-403	185	771-9993/016-302	180	771-9993/106-701	179
771-9985/117-601	260	771-9993/005-405	185	771-9993/016-401	180	771-9993/106-702	179
771-9985/117-602	260	771-9993/005-407	185	771-9993/016-402	180	771-9993/106-703	186
771-9985/117-701	260	771-9993/005-503	185	771-9993/016-501	180	771-9993/106-705	186
771-9985/117-702	260	771-9993/005-505	185	771-9993/016-502	180	771-9993/106-707	186
771-9985/117-801	260	771-9993/005-507	185	771-9993/016-601	180	771-9993/106-801	179
771-9985/117-802	260	771-9993/005-603	185	771-9993/016-602	180	771-9993/106-802	179
771-9985/206-101	257	771-9993/005-605	185	771-9993/016-701	180	771-9993/106-803	186
771-9985/206-102	257	771-9993/005-607	185	771-9993/016-702	180	771-9993/106-805	186
771-9985/206-152	257	771-9993/005-703	185	771-9993/016-801	180	771-9993/106-807	186
771-9985/206-201	257	771-9993/005-705	185	771-9993/016-802	180	771-9993/107-101	181
771-9985/206-202	257	771-9993/005-707	185	771-9993/017-101	182	771-9993/107-102	181
771-9985/206-301	257	771-9993/005-803	185	771-9993/017-102	182	771-9993/107-201	181
771-9985/206-302	257	771-9993/005-805	185	771-9993/017-201	182	771-9993/107-202	181

Item Number Index

Item No.	Page	Item No.	Page	Item No.	Page	Item No.	Page
771 Series		771 Series		771 Series		771 Series	
771-9993/107-301	181	771-9993/206-305	186	771-9993/307-101	184	771-9994/006-203	220
771-9993/107-302	181	771-9993/206-307	186	771-9993/307-102	184	771-9994/006-205	220
771-9993/107-401	181	771-9993/206-401	179	771-9993/307-201	184	771-9994/006-207	220
771-9993/107-402	181	771-9993/206-402	179	771-9993/307-202	184	771-9994/006-301	215
771-9993/107-501	181	771-9993/206-403	186	771-9993/307-301	184	771-9994/006-302	215
771-9993/107-502	181	771-9993/206-405	186	771-9993/307-302	184	771-9994/006-303	220
771-9993/107-601	181	771-9993/206-407	186	771-9993/406-101	183	771-9994/006-305	220
771-9993/107-602	181	771-9993/206-501	179	771-9993/406-102	183	771-9994/006-307	220
771-9993/107-701	181	771-9993/206-502	179	771-9993/406-201	183	771-9994/006-401	215
771-9993/107-702	181	771-9993/206-503	186	771-9993/406-202	183	771-9994/006-402	215
771-9993/107-801	181	771-9993/206-505	186	771-9993/406-301	183	771-9994/006-403	220
771-9993/107-802	181	771-9993/206-507	186	771-9993/406-302	183	771-9994/006-405	220
771-9993/116-101	180	771-9993/206-601	179	771-9993/805-101	183	771-9994/006-407	220
771-9993/116-102	180	771-9993/206-602	179	771-9993/805-102	183	771-9994/006-501	215
771-9993/116-201	180	771-9993/206-603	186	771-9993/805-201	183	771-9994/006-502	215
771-9993/116-202	180	771-9993/206-605	186	771-9993/805-202	183	771-9994/006-503	220
771-9993/116-301	180	771-9993/206-607	186	771-9993/805-301	183	771-9994/006-505	220
771-9993/116-302	180	771-9993/206-701	179	771-9993/805-302	183	771-9994/006-507	220
771-9993/116-401	180	771-9993/206-702	179	771-9993/3206-101	179	771-9994/006-601	215
771-9993/116-402	180	771-9993/206-703	186	771-9993/3206-201	179	771-9994/006-602	215
771-9993/116-501	180	771-9993/206-705	186	771-9993/3206-301	179	771-9994/006-603	220
771-9993/116-502	180	771-9993/206-707	186	771-9993/3206-401	179	771-9994/006-605	220
771-9993/116-601	180	771-9993/206-801	179	771-9993/3206-501	179	771-9994/006-607	220
771-9993/116-602	180	771-9993/206-802	179	771-9993/3206-601	179	771-9994/006-701	215
771-9993/116-701	180	771-9993/206-803	186	771-9993/3206-701	179	771-9994/006-702	215
771-9993/116-702	180	771-9993/206-805	186	771-9993/3206-801	179	771-9994/006-703	220
771-9993/116-801	180	771-9993/206-807	186	771-9993/3207-101	181	771-9994/006-705	220
771-9993/116-802	180	771-9993/207-101	181	771-9993/3207-201	181	771-9994/006-707	220
771-9993/117-101	182	771-9993/207-102	181	771-9993/3207-301	181	771-9994/006-801	215
771-9993/117-102	182	771-9993/207-201	181	771-9993/3207-401	181	771-9994/006-802	215
771-9993/117-201	182	771-9993/207-202	181	771-9993/3207-501	181	771-9994/006-803	220
771-9993/117-202	182	771-9993/207-301	181	771-9993/3207-601	181	771-9994/006-805	220
771-9993/117-301	182	771-9993/207-302	181	771-9993/3207-701	181	771-9994/006-807	220
771-9993/117-302	182	771-9993/207-401	181	771-9993/3207-801	181	771-9994/016-101	216
771-9993/117-401	182	771-9993/207-402	181	771-9993/3216-101	180	771-9994/016-102	216
771-9993/117-402	182	771-9993/207-501	181	771-9993/3216-201	180	771-9994/016-201	216
771-9993/117-501	182	771-9993/207-502	181	771-9993/3216-301	180	771-9994/016-202	216
771-9993/117-502	182	771-9993/207-601	181	771-9993/3216-401	180	771-9994/016-301	216
771-9993/117-601	182	771-9993/207-602	181	771-9993/3216-501	180	771-9994/016-302	216
771-9993/117-602	182	771-9993/207-701	181	771-9993/3216-601	180	771-9994/016-401	216
771-9993/117-701	182	771-9993/207-702	181	771-9993/3216-701	180	771-9994/016-402	216
771-9993/117-702	182	771-9993/207-801	181	771-9993/3216-801	180	771-9994/016-501	216
771-9993/117-801	182	771-9993/207-802	181	771-9993/3217-101	182	771-9994/016-502	216
771-9993/117-802	182	771-9993/216-101	180	771-9993/3217-201	182	771-9994/016-601	216
771-9993/205-103	185	771-9993/216-102	180	771-9993/3217-301	182	771-9994/016-602	216
771-9993/205-105	185	771-9993/216-201	180	771-9993/3217-401	182	771-9994/016-701	216
771-9993/205-107	185	771-9993/216-202	180	771-9993/3217-501	182	771-9994/016-702	216
771-9993/205-203	185	771-9993/216-301	180	771-9993/3217-601	182	771-9994/016-801	216
771-9993/205-205	185	771-9993/216-302	180	771-9993/3217-701	182	771-9994/016-802	216
771-9993/205-207	185	771-9993/216-401	180	771-9993/3217-801	182	771-9994/105-103	219
771-9993/205-303	185	771-9993/216-402	180	771-9994/005-103	219	771-9994/105-105	219
771-9993/205-305	185	771-9993/216-501	180	771-9994/005-105	219	771-9994/105-107	219
771-9993/205-307	185	771-9993/216-502	180	771-9994/005-107	219	771-9994/105-203	219
771-9993/205-403	185	771-9993/216-601	180	771-9994/005-203	219	771-9994/105-205	219
771-9993/205-405	185	771-9993/216-602	180	771-9994/005-205	219	771-9994/105-207	219
771-9993/205-407	185	771-9993/216-701	180	771-9994/005-207	219	771-9994/105-303	219
771-9993/205-503	185	771-9993/216-702	180	771-9994/005-303	219	771-9994/105-305	219
771-9993/205-505	185	771-9993/216-801	180	771-9994/005-305	219	771-9994/105-307	219
771-9993/205-507	185	771-9993/216-802	180	771-9994/005-307	219	771-9994/105-403	219
771-9993/205-603	185	771-9993/217-101	182	771-9994/005-403	219	771-9994/105-405	219
771-9993/205-605	185	771-9993/217-102	182	771-9994/005-405	219	771-9994/105-407	219
771-9993/205-607	185	771-9993/217-201	182	771-9994/005-407	219	771-9994/105-503	219
771-9993/205-703	185	771-9993/217-202	182	771-9994/005-503	219	771-9994/105-505	219
771-9993/205-705	185	771-9993/217-301	182	771-9994/005-505	219	771-9994/105-507	219
771-9993/205-707	185	771-9993/217-302	182	771-9994/005-507	219	771-9994/105-603	219
771-9993/205-803	185	771-9993/217-401	182	771-9994/005-603	219	771-9994/105-605	219
771-9993/205-805	185	771-9993/217-402	182	771-9994/005-605	219	771-9994/105-607	219
771-9993/205-807	185	771-9993/217-501	182	771-9994/005-607	219	771-9994/105-703	219
771-9993/206-101	179	771-9993/217-502	182	771-9994/005-703	219	771-9994/105-705	219
771-9993/206-102	179	771-9993/217-601	182	771-9994/005-705	219	771-9994/105-707	219
771-9993/206-103	186	771-9993/217-602	182	771-9994/005-707	219	771-9994/105-803	219
771-9993/206-105	186	771-9993/217-701	182	771-9994/005-803	219	771-9994/105-805	219
771-9993/206-107	186	771-9993/217-702	182	771-9994/005-805	219	771-9994/105-807	219
771-9993/206-201	179	771-9993/217-801	182	771-9994/005-807	219	771-9994/106-101	215
771-9993/206-202	179	771-9993/217-802	182	771-9994/006-101	215	771-9994/106-102	215
771-9993/206-203	186	771-9993/306-101	183	771-9994/006-102	215	771-9994/106-103	220
771-9993/206-205	186	771-9993/306-102	183	771-9994/006-103	220	771-9994/106-105	220
771-9993/206-207	186	771-9993/306-201	183	771-9994/006-105	220	771-9994/106-107	220
771-9993/206-301	179	771-9993/306-202	183	771-9994/006-107	220	771-9994/106-201	215
771-9993/206-302	179	771-9993/306-301	183	771-9994/006-201	215	771-9994/106-202	215
771-9993/206-303	186	771-9993/306-302	183	771-9994/006-202	215	771-9994/106-203	220

Item No.	Page	Item No.	Page	Item No.	Page	Item No.	Page
771 Series		771 Series		771 Series		771 Series	
771-9994/106-205	220	771-9994/206-207	220	771-9995/006-301	247	771-9995/105-203	255
771-9994/106-207	220	771-9994/206-301	215	771-9995/006-302	247	771-9995/105-205	255
771-9994/106-301	215	771-9994/206-302	215	771-9995/006-303	256	771-9995/105-207	255
771-9994/106-302	215	771-9994/206-303	220	771-9995/006-305	256	771-9995/105-303	255
771-9994/106-303	220	771-9994/206-305	220	771-9995/006-307	256	771-9995/105-305	255
771-9994/106-305	220	771-9994/206-307	220	771-9995/006-401	247	771-9995/105-307	255
771-9994/106-307	220	771-9994/206-401	215	771-9995/006-402	247	771-9995/105-403	255
771-9994/106-401	215	771-9994/206-402	215	771-9995/006-403	256	771-9995/105-405	255
771-9994/106-402	215	771-9994/206-403	220	771-9995/006-405	256	771-9995/105-407	255
771-9994/106-403	220	771-9994/206-405	220	771-9995/006-407	256	771-9995/105-503	255
771-9994/106-405	220	771-9994/206-407	220	771-9995/006-501	247	771-9995/105-505	255
771-9994/106-407	220	771-9994/206-501	215	771-9995/006-502	247	771-9995/105-507	255
771-9994/106-501	215	771-9994/206-502	215	771-9995/006-503	256	771-9995/105-603	255
771-9994/106-502	215	771-9994/206-503	220	771-9995/006-505	256	771-9995/105-605	255
771-9994/106-503	220	771-9994/206-505	220	771-9995/006-507	256	771-9995/105-607	255
771-9994/106-505	220	771-9994/206-507	220	771-9995/006-601	247	771-9995/105-703	255
771-9994/106-507	220	771-9994/206-601	215	771-9995/006-602	247	771-9995/105-705	255
771-9994/106-601	215	771-9994/206-602	215	771-9995/006-603	256	771-9995/105-707	255
771-9994/106-602	215	771-9994/206-603	220	771-9995/006-605	256	771-9995/105-803	255
771-9994/106-603	220	771-9994/206-605	220	771-9995/006-607	256	771-9995/105-805	255
771-9994/106-605	220	771-9994/206-607	220	771-9995/006-701	247	771-9995/105-807	255
771-9994/106-607	220	771-9994/206-701	215	771-9995/006-702	247	771-9995/106-101	247
771-9994/106-701	215	771-9994/206-702	215	771-9995/006-703	256	771-9995/106-102	247
771-9994/106-702	215	771-9994/206-703	220	771-9995/006-705	256	771-9995/106-103	256
771-9994/106-703	220	771-9994/206-705	220	771-9995/006-707	256	771-9995/106-105	256
771-9994/106-705	220	771-9994/206-707	220	771-9995/006-801	247	771-9995/106-107	256
771-9994/106-707	220	771-9994/206-801	215	771-9995/006-802	247	771-9995/106-201	247
771-9994/106-801	215	771-9994/206-802	215	771-9995/006-803	256	771-9995/106-202	247
771-9994/106-802	215	771-9994/206-803	220	771-9995/006-805	256	771-9995/106-203	256
771-9994/106-803	220	771-9994/206-805	220	771-9995/006-807	256	771-9995/106-205	256
771-9994/106-805	220	771-9994/206-807	220	771-9995/007-101	249	771-9995/106-207	256
771-9994/106-807	220	771-9994/216-101	216	771-9995/007-102	249	771-9995/106-301	247
771-9994/116-101	216	771-9994/216-102	216	771-9995/007-201	249	771-9995/106-302	247
771-9994/116-102	216	771-9994/216-201	216	771-9995/007-202	249	771-9995/106-303	256
771-9994/116-201	216	771-9994/216-202	216	771-9995/007-301	249	771-9995/106-305	256
771-9994/116-202	216	771-9994/216-301	216	771-9995/007-302	249	771-9995/106-307	256
771-9994/116-301	216	771-9994/216-302	216	771-9995/007-401	249	771-9995/106-401	247
771-9994/116-302	216	771-9994/216-401	216	771-9995/007-402	249	771-9995/106-402	247
771-9994/116-401	216	771-9994/216-402	216	771-9995/007-501	249	771-9995/106-403	256
771-9994/116-402	216	771-9994/216-501	216	771-9995/007-502	249	771-9995/106-405	256
771-9994/116-501	216	771-9994/216-502	216	771-9995/007-601	249	771-9995/106-407	256
771-9994/116-502	216	771-9994/216-601	216	771-9995/007-602	249	771-9995/106-501	247
771-9994/116-601	216	771-9994/216-602	216	771-9995/007-701	249	771-9995/106-502	247
771-9994/116-602	216	771-9994/216-701	216	771-9995/007-702	249	771-9995/106-503	256
771-9994/116-701	216	771-9994/216-702	216	771-9995/007-801	249	771-9995/106-505	256
771-9994/116-702	216	771-9994/216-801	216	771-9995/007-802	249	771-9995/106-507	256
771-9994/116-801	216	771-9994/216-802	216	771-9995/016-101	248	771-9995/106-601	247
771-9994/116-802	216	771-9995/005-103	255	771-9995/016-102	248	771-9995/106-602	247
771-9994/205-103	219	771-9995/005-105	255	771-9995/016-201	248	771-9995/106-603	256
771-9994/205-105	219	771-9995/005-107	255	771-9995/016-202	248	771-9995/106-605	256
771-9994/205-107	219	771-9995/005-203	255	771-9995/016-301	248	771-9995/106-607	256
771-9994/205-203	219	771-9995/005-205	255	771-9995/016-302	248	771-9995/106-701	247
771-9994/205-205	219	771-9995/005-207	255	771-9995/016-401	248	771-9995/106-702	247
771-9994/205-207	219	771-9995/005-303	255	771-9995/016-402	248	771-9995/106-703	256
771-9994/205-303	219	771-9995/005-305	255	771-9995/016-501	248	771-9995/106-705	256
771-9994/205-305	219	771-9995/005-307	255	771-9995/016-502	248	771-9995/106-707	256
771-9994/205-307	219	771-9995/005-403	255	771-9995/016-601	248	771-9995/106-801	247
771-9994/205-403	219	771-9995/005-405	255	771-9995/016-602	248	771-9995/106-802	247
771-9994/205-405	219	771-9995/005-407	255	771-9995/016-701	248	771-9995/106-803	256
771-9994/205-407	219	771-9995/005-503	255	771-9995/016-702	248	771-9995/106-805	256
771-9994/205-503	219	771-9995/005-505	255	771-9995/016-801	248	771-9995/106-807	256
771-9994/205-505	219	771-9995/005-507	255	771-9995/016-802	248	771-9995/107-101	249
771-9994/205-507	219	771-9995/005-603	255	771-9995/017-101	250	771-9995/107-102	249
771-9994/205-603	219	771-9995/005-605	255	771-9995/017-102	250	771-9995/107-201	249
771-9994/205-605	219	771-9995/005-607	255	771-9995/017-201	250	771-9995/107-202	249
771-9994/205-607	219	771-9995/005-703	255	771-9995/017-202	250	771-9995/107-301	249
771-9994/205-703	219	771-9995/005-705	255	771-9995/017-301	250	771-9995/107-302	249
771-9994/205-705	219	771-9995/005-707	255	771-9995/017-302	250	771-9995/107-401	249
771-9994/205-707	219	771-9995/005-803	255	771-9995/017-401	250	771-9995/107-402	249
771-9994/205-803	219	771-9995/005-805	255	771-9995/017-402	250	771-9995/107-501	249
771-9994/205-805	219	771-9995/005-807	255	771-9995/017-501	250	771-9995/107-502	249
771-9994/205-807	219	771-9995/006-101	247	771-9995/017-502	250	771-9995/107-601	249
771-9994/206-101	215	771-9995/006-102	247	771-9995/017-601	250	771-9995/107-602	249
771-9994/206-102	215	771-9995/006-103	256	771-9995/017-602	250	771-9995/107-701	249
771-9994/206-103	220	771-9995/006-105	256	771-9995/017-701	250	771-9995/107-702	249
771-9994/206-105	220	771-9995/006-107	256	771-9995/017-702	250	771-9995/107-801	249
771-9994/206-107	220	771-9995/006-201	247	771-9995/017-801	250	771-9995/107-802	249
771-9994/206-201	215	771-9995/006-202	247	771-9995/017-802	250	771-9995/116-101	248
771-9994/206-202	215	771-9995/006-203	255	771-9995/105-103	255	771-9995/116-102	248
771-9994/206-203	220	771-9995/006-205	256	771-9995/105-105	255	771-9995/116-201	248
771-9994/206-205	220	771-9995/006-207	256	771-9995/105-107	255	771-9995/116-202	248

Item Number Index

Item No.	Page	Item No.	Page	Item No.	Page	Item No.	Page
771 Series		771 Series		774 Series		774 Series	
771-9995/116-301	248	771-9995/206-607	256	774-9973/006-605	287	774-9993/007-401	285
771-9995/116-302	248	771-9995/206-701	247	774-9973/006-705	287	774-9993/007-402	285
771-9995/116-401	248	771-9995/206-702	247	774-9973/006-805	287	774-9993/007-501	285
771-9995/116-402	248	771-9995/206-703	256	774-9973/016-105	288	774-9993/007-502	285
771-9995/116-501	248	771-9995/206-705	256	774-9973/016-205	288	774-9993/007-601	285
771-9995/116-502	248	771-9995/206-707	256	774-9973/016-305	288	774-9993/007-602	285
771-9995/116-601	248	771-9995/206-801	247	774-9973/016-405	288	774-9993/007-701	285
771-9995/116-602	248	771-9995/206-802	247	774-9973/016-505	288	774-9993/007-702	285
771-9995/116-701	248	771-9995/206-803	256	774-9973/016-605	288	774-9993/007-801	285
771-9995/116-702	248	771-9995/206-805	256	774-9973/016-705	288	774-9993/007-802	285
771-9995/116-801	248	771-9995/206-807	256	774-9973/016-805	288	774-9993/016-101	284
771-9995/116-802	248	771-9995/207-101	249	774-9973/106-105	287	774-9993/016-102	284
771-9995/117-101	250	771-9995/207-102	249	774-9973/106-205	287	774-9993/016-201	284
771-9995/117-102	250	771-9995/207-201	249	774-9973/106-305	287	774-9993/016-202	284
771-9995/117-201	250	771-9995/207-202	249	774-9973/106-405	287	774-9993/016-301	284
771-9995/117-202	250	771-9995/207-301	249	774-9973/106-505	287	774-9993/016-302	284
771-9995/117-301	250	771-9995/207-302	249	774-9973/106-605	287	774-9993/016-401	284
771-9995/117-302	250	771-9995/207-401	249	774-9973/106-705	287	774-9993/016-402	284
771-9995/117-401	250	771-9995/207-402	249	774-9973/106-805	287	774-9993/016-501	284
771-9995/117-402	250	771-9995/207-501	249	774-9973/116-105	288	774-9993/016-502	284
771-9995/117-501	250	771-9995/207-502	249	774-9973/116-205	288	774-9993/016-601	284
771-9995/117-502	250	771-9995/207-601	249	774-9973/116-305	288	774-9993/016-602	284
771-9995/117-601	250	771-9995/207-602	249	774-9973/116-405	288	774-9993/016-701	284
771-9995/117-602	250	771-9995/207-701	249	774-9973/116-505	288	774-9993/016-702	284
771-9995/117-701	250	771-9995/207-702	249	774-9973/116-605	288	774-9993/016-801	284
771-9995/117-702	250	771-9995/207-801	249	774-9973/116-705	288	774-9993/016-802	284
771-9995/117-801	250	771-9995/207-802	249	774-9973/116-805	288	774-9993/017-101	286
771-9995/117-802	250	771-9995/216-101	248	774-9973/206-105	287	774-9993/017-102	286
771-9995/205-103	255	771-9995/216-102	248	774-9973/206-205	287	774-9993/017-201	286
771-9995/205-105	255	771-9995/216-201	248	774-9973/206-305	287	774-9993/017-202	286
771-9995/205-107	255	771-9995/216-202	248	774-9973/206-405	287	774-9993/017-301	286
771-9995/205-203	255	771-9995/216-301	248	774-9973/206-505	287	774-9993/017-302	286
771-9995/205-205	255	771-9995/216-302	248	774-9973/206-605	287	774-9993/017-401	286
771-9995/205-207	255	771-9995/216-401	248	774-9973/206-705	287	774-9993/017-402	286
771-9995/205-303	255	771-9995/216-402	248	774-9973/206-805	287	774-9993/017-501	286
771-9995/205-305	255	771-9995/216-501	248	774-9973/216-105	288	774-9993/017-502	286
771-9995/205-307	255	771-9995/216-502	248	774-9973/216-205	288	774-9993/017-601	286
771-9995/205-403	255	771-9995/216-601	248	774-9973/216-305	288	774-9993/017-602	286
771-9995/205-405	255	771-9995/216-602	248	774-9973/216-405	288	774-9993/017-701	286
771-9995/205-407	255	771-9995/216-701	248	774-9973/216-505	288	774-9993/017-702	286
771-9995/205-503	255	771-9995/216-702	248	774-9973/216-605	288	774-9993/017-801	286
771-9995/205-505	255	771-9995/216-801	248	774-9973/216-705	288	774-9993/017-802	286
771-9995/205-507	255	771-9995/216-802	248	774-9973/216-805	288	774-9993/106-101	283
771-9995/205-603	255	771-9995/217-101	250	774-9973/1506-105	287	774-9993/106-102	283
771-9995/205-605	255	771-9995/217-102	250	774-9973/1506-205	287	774-9993/106-201	283
771-9995/205-607	255	771-9995/217-201	250	774-9973/1506-305	287	774-9993/106-202	283
771-9995/205-703	255	771-9995/217-202	250	774-9973/1506-405	287	774-9993/106-301	283
771-9995/205-705	255	771-9995/217-301	250	774-9973/1506-505	287	774-9993/106-302	283
771-9995/205-707	255	771-9995/217-302	250	774-9973/1506-605	287	774-9993/106-401	283
771-9995/205-803	255	771-9995/217-401	250	774-9973/1506-705	287	774-9993/106-402	283
771-9995/205-805	255	771-9995/217-402	250	774-9973/1506-805	287	774-9993/106-501	283
771-9995/205-807	255	771-9995/217-501	250	774-9973/1516-105	288	774-9993/106-502	283
771-9995/206-101	247	771-9995/217-502	250	774-9973/1516-205	288	774-9993/106-601	283
771-9995/206-102	247	771-9995/217-601	250	774-9973/1516-305	288	774-9993/106-602	283
771-9995/206-103	256	771-9995/217-602	250	774-9973/1516-405	288	774-9993/106-701	283
771-9995/206-105	256	771-9995/217-701	250	774-9973/1516-505	288	774-9993/106-702	283
771-9995/206-107	256	771-9995/217-702	250	774-9973/1516-605	288	774-9993/106-801	283
771-9995/206-201	247	771-9995/217-801	250	774-9973/1516-705	288	774-9993/106-802	283
771-9995/206-202	247	771-9995/217-802	250	774-9973/1516-805	288	774-9993/107-101	285
771-9995/206-203	256			774-9993/006-101	283	774-9993/107-102	285
771-9995/206-205	256			774-9993/006-102	283	774-9993/107-201	285
771-9995/206-207	256			774-9993/006-201	283	774-9993/107-202	285
771-9995/206-301	247	772 Series		774-9993/006-202	283	774-9993/107-301	285
771-9995/206-302	247	772-260	311	774-9993/006-301	283	774-9993/107-302	285
771-9995/206-303	256	772-261	311	774-9993/006-302	283	774-9993/107-401	285
771-9995/206-305	256	772-262	312	774-9993/006-401	283	774-9993/107-402	285
771-9995/206-307	256	772-263	312	774-9993/006-402	283	774-9993/107-501	285
771-9995/206-401	247	772-264/060-000	311	774-9993/006-501	283	774-9993/107-502	285
771-9995/206-402	247	772-265/060-000	312	774-9993/006-502	283	774-9993/107-601	285
771-9995/206-403	256	772-266/060-000	312	774-9993/006-601	283	774-9993/107-602	285
771-9995/206-405	256	772-267	311	774-9993/006-602	283	774-9993/107-701	285
771-9995/206-407	256	772-268	312	774-9993/006-602	283	774-9993/107-702	285
771-9995/206-501	247	772-269	312	774-9993/006-701	283	774-9993/107-702	285
771-9995/206-502	247	772-271	311	774-9993/006-702	283	774-9993/107-801	285
771-9995/206-503	256	772-272	312	774-9993/006-801	283	774-9993/107-802	285
771-9995/206-505	256			774-9993/006-802	283	774-9993/116-101	284
771-9995/206-507	256	774 Series		774-9993/007-101	285	774-9993/116-102	284
771-9995/206-601	247	774-9973/006-105	287	774-9993/007-102	285	774-9993/116-201	284
771-9995/206-602	247	774-9973/006-205	287	774-9993/007-201	285	774-9993/116-202	284
771-9995/206-603	256	774-9973/006-305	287	774-9993/007-202	285	774-9993/116-301	284
771-9995/206-605	256	774-9973/006-405	287	774-9993/007-301	285	774-9993/116-302	284
		774-9973/006-505	287	774-9993/007-302	285	774-9993/116-401	284

Item No.	Page	Item No.	Page	Item No.	Page	Item No.	Page
774 Series		774 Series		774 Series		890 Series	
774-9993/116-402	284	774-9993/217-501	286	774-9994/116-502	292	890-225	98
774-9993/116-501	284	774-9993/217-502	286	774-9994/116-601	292	890-232	31
774-9993/116-502	284	774-9993/217-601	286	774-9994/116-602	292	890-233	54
774-9993/116-601	284	774-9993/217-602	286	774-9994/116-701	292	890-234	76
774-9993/116-602	284	774-9993/217-701	286	774-9994/116-702	292	890-235	98
774-9993/116-701	284	774-9993/217-702	286	774-9994/116-801	292	890-242	31
774-9993/116-702	284	774-9993/217-801	286	774-9994/116-802	292	890-242/060-000	31
774-9993/116-801	284	774-9993/217-802	286	774-9994/206-101	291	890-243	54
774-9993/116-802	284	774-9993/1507-101	285	774-9994/206-102	291	890-243/060-000	54
774-9993/117-101	286	774-9993/1507-201	285	774-9994/206-201	291	890-243/062-000	54
774-9993/117-102	286	774-9993/1507-301	285	774-9994/206-202	291	890-244	76
774-9993/117-201	286	774-9993/1507-401	285	774-9994/206-301	291	890-244/060-000	76
774-9993/117-202	286	774-9993/1507-501	285	774-9994/206-302	291	890-244/062-000	76
774-9993/117-301	286	774-9993/1507-601	285	774-9994/206-401	291	890-244/064-000	76
774-9993/117-302	286	774-9993/1507-701	285	774-9994/206-402	291	890-245	98
774-9993/117-401	286	774-9993/1507-801	285	774-9994/206-501	291	890-245/060-000	98
774-9993/117-402	286	774-9993/1517-101	286	774-9994/206-502	291	890-245/062-000	98
774-9993/117-501	286	774-9993/1517-201	286	774-9994/206-601	291	890-252	31
774-9993/117-502	286	774-9993/1517-301	286	774-9994/206-602	291	890-252/060-000	31
774-9993/117-601	286	774-9993/1517-401	286	774-9994/206-701	291	890-253	54
774-9993/117-602	286	774-9993/1517-501	286	774-9994/206-702	291	890-253/060-000	54
774-9993/117-701	286	774-9993/1517-601	286	774-9994/206-801	291	890-253/062-000	54
774-9993/117-702	286	774-9993/1517-701	286	774-9994/206-802	291	890-254	76
774-9993/117-801	286	774-9993/1517-801	286	774-9994/216-101	292	890-254/060-000	76
774-9993/117-802	286	774-9994/006-101	291	774-9994/216-102	292	890-254/062-000	76
774-9993/206-101	283	774-9994/006-102	291	774-9994/216-201	292	890-254/064-000	76
774-9993/206-102	283	774-9994/006-201	291	774-9994/216-202	292	890-255	98
774-9993/206-201	283	774-9994/006-202	291	774-9994/216-301	292	890-255/060-000	98
774-9993/206-202	283	774-9994/006-301	291	774-9994/216-302	292	890-255/062-000	98
774-9993/206-301	283	774-9994/006-302	291	774-9994/216-401	292	890-262	31
774-9993/206-302	283	774-9994/006-401	291	774-9994/216-402	292	890-263	54
774-9993/206-401	283	774-9994/006-402	291	774-9994/216-501	292	890-263/071-000	54
774-9993/206-402	283	774-9994/006-501	291	774-9994/216-502	292	890-263/073-000	54
774-9993/206-501	283	774-9994/006-502	291	774-9994/216-601	292	890-264	76
774-9993/206-502	283	774-9994/006-601	291	774-9994/216-602	292	890-264/071-000	76
774-9993/206-601	283	774-9994/006-602	291	774-9994/216-701	292	890-264/072-000	76
774-9993/206-602	283	774-9994/006-701	291	774-9994/216-702	292	890-264/073-000	76
774-9993/206-701	283	774-9994/006-702	291	774-9994/216-801	292	890-265	98
774-9993/206-702	283	774-9994/006-801	291	774-9994/216-802	292	890-265/073-000	98
774-9993/206-801	283	774-9994/006-802	291			890-272	31
774-9993/206-802	283	774-9994/016-101	292			890-273	54
774-9993/207-101	285	774-9994/016-102	292	831 Series		890-273/071-000	54
774-9993/207-102	285	774-9994/016-201	292	831-3105/1019-004	279	890-273/073-000	54
774-9993/207-201	285	774-9994/016-202	292	831-3105/1019-050	279	890-274	76
774-9993/207-202	285	774-9994/016-301	292	831-3205/1020-004	279	890-274/071-000	76
774-9993/207-301	285	774-9994/016-302	292	831-3205/1020-050	279	890-274/072-000	76
774-9993/207-302	285	774-9994/016-401	292			890-274/073-000	76
774-9993/207-401	285	774-9994/016-402	292	890 Series		890-275	98
774-9993/207-402	285	774-9994/016-501	292	890-101	29	890-275/073-000	98
774-9993/207-501	285	774-9994/016-502	292	890-102	29	890-282	31
774-9993/207-502	285	774-9994/016-601	292	890-103	53	890-282/080-000	31
774-9993/207-601	285	774-9994/016-602	292	890-104	75	890-282/082-000	31
774-9993/207-602	285	774-9994/016-701	292	890-105	97	890-283	54
774-9993/207-701	285	774-9994/016-702	292	890-111	29	890-283/081-000	54
774-9993/207-702	285	774-9994/016-801	292	890-112	29	890-283/082-000	54
774-9993/207-801	285	774-9994/016-802	292	890-113	53	890-284	76
774-9993/207-802	285	774-9994/106-101	291	890-114	75	890-284/081-000	76
774-9993/216-101	284	774-9994/106-102	291	890-115	97	890-285	98
774-9993/216-102	284	774-9994/106-201	291	890-121	29	890-285/080-000	98
774-9993/216-201	284	774-9994/106-202	291	890-122	29	890-285/082-000	98
774-9993/216-202	284	774-9994/106-301	291	890-123	53	890-292	31
774-9993/216-301	284	774-9994/106-302	291	890-124	75	890-292/080-000	31
774-9993/216-302	284	774-9994/106-401	291	890-125	97	890-292/082-000	31
774-9993/216-401	284	774-9994/106-402	291	890-131	29	890-293	54
774-9993/216-402	284	774-9994/106-501	291	890-132	29	890-293/081-000	54
774-9993/216-501	284	774-9994/106-502	291	890-133	53	890-293/082-000	54
774-9993/216-502	284	774-9994/106-601	291	890-134	75	890-294	76
774-9993/216-601	284	774-9994/106-602	291	890-135	97	890-294/081-000	76
774-9993/216-602	284	774-9994/106-701	291	890-202	31	890-295	98
774-9993/216-701	284	774-9994/106-702	291	890-202/342-000	30	890-295/080-000	98
774-9993/216-702	284	774-9994/106-801	291	890-203	54	890-295/082-000	98
774-9993/216-801	284	774-9994/106-802	291	890-204	76	890-302	387
774-9993/216-802	284	774-9994/116-101	292	890-205	98	890-303	387
774-9993/217-101	286	774-9994/116-102	292	890-212	31	890-304	387
774-9993/217-102	286	774-9994/116-201	292	890-212/342-000	30	890-305	387
774-9993/217-201	286	774-9994/116-202	292	890-213	54	890-310	29
774-9993/217-202	286	774-9994/116-301	292	890-214	76	890-311	29
774-9993/217-301	286	774-9994/116-302	292	890-215	98	890-382	33
774-9993/217-302	286	774-9994/116-401	292	890-222	31	890-383	53
774-9993/217-401	286	774-9994/116-402	292	890-223	54	890-384	75
774-9993/217-402	286	774-9994/116-501	292	890-224	76	890-385	97

Item Number Index

Item No.	Page	Item No.	Page	Item No.	Page	Item No.	Page
890 Series		890 Series		890 Series		890 Series	
890-502	31	890-752	33	890-833/011-000	60	890-1661	65
890-502/342-000	31	890-752/060-000	33	890-834	81	890-1662	65
890-503	54	890-753	57	890-834/011-000	82	890-1663	65
890-504	76	890-753/060-000	57	890-835	103	890-1665	39
890-505	98	890-753/062-000	57	890-835/011-000	104	890-1672	40
890-512	31	890-754	79	890-842	35	890-1681	87
890-512/342-000	31	890-754/060-000	79	890-842/011-000	36	890-1682	87
890-513	54	890-754/062-000	79	890-843	59	890-1683	87
890-514	76	890-754/064-000	79	890-843/011-000	60	890-1684	40
890-515	98	890-755	101	890-844	81	890-1686	40
890-523	369	890-755/060-000	101	890-844/011-000	82	890-1701	39
890-524	369	890-755/062-000	101	890-845	103	890-1702	39
890-525	369	890-762	33	890-845/011-000	104	890-1703	39
890-526	369	890-763	57	890-852	35	890-1731	86
890-527	369	890-763/071-000	57	890-852/011-000	36	890-1732	86
890-601	370	890-763/073-000	57	890-853	59	890-1733	86
890-603	63	890-764	79	890-853/011-000	60	890-1734	88
890-604	85	890-764/071-000	79	890-854	81	890-1735	88
890-605	107	890-764/072-000	79	890-854/011-000	82	890-1736	88
890-606	64	890-764/073-000	79	890-855	103	890-1761	65
890-615	64	890-765	101	890-855/011-000	104	890-1762	65
890-617	108	890-765/073-000	101	890-862	35	890-1763	65
890-619	107	890-772	33	890-862/011-000	36	890-1781	87
890-620	108	890-773	57	890-863	59	890-1782	87
890-621	108	890-773/071-000	57	890-863/011-000	60	890-1783	87
890-622	108	890-773/073-000	57	890-864	81	890-1904	41
890-623	65	890-774	79	890-864/011-000	82	890-1907	41
890-624	87	890-774/071-000	79	890-865	103	890-2102	33
890-625	109	890-774/072-000	79	890-865/011-000	104	890-2105	101
890-626	86	890-774/073-000	79	890-872	35	890-2112	33
890-627	86	890-775	101	890-872/011-000	36	890-2115	101
890-634	65	890-775/073-000	101	890-873	59	890-3102	35
890-636	65	890-782	33	890-873/011-000	60	890-3102/011-000	36
890-642	33	890-782/080-000	33	890-874	81	890-3105	103
890-643	57	890-782/082-000	33	890-874/011-000	82	890-3105/011-000	104
890-644	79	890-783	57	890-875	103	890-3112	35
890-653	63	890-783/081-000	57	890-875/011-000	104	890-3112/011-000	36
890-654	85	890-783/082-000	57	890-882	35	890-3115	103
890-655	107	890-784	79	890-882/011-000	36	890-3115/011-000	104
890-656	64	890-784/081-000	79	890-883	59		
890-665	64	890-785	101	890-883/011-000	60		
890-671	108	890-785/080-000	101	890-884	81	891 Series	
890-672	108	890-785/082-000	101	890-884/011-000	82	891-8982/006-101	49
890-673	65	890-792	33	890-885	103	891-8982/006-102	49
890-674	87	890-792/080-000	33	890-885/011-000	104	891-8982/006-201	49
890-675	109	890-792/082-000	33	890-892	35	891-8982/006-202	49
890-676	86	890-793	57	890-892/011-000	36	891-8982/006-301	49
890-677	86	890-793/081-000	57	890-893	59	891-8982/006-302	49
890-684	65	890-793/082-000	57	890-893/011-000	60	891-8982/006-401	49
890-686	65	890-794	79	890-894	81	891-8982/006-402	49
890-692	33	890-794/081-000	79	890-894/011-000	82	891-8982/006-501	49
890-693	57	890-795	101	890-895	103	891-8982/006-502	49
890-694	79	890-795/080-000	101	890-895/011-000	104	891-8982/006-601	49
890-702	33	890-795/082-000	101	890-929	109	891-8982/006-602	49
890-703	57	890-802	35	890-930	109	891-8982/006-701	49
890-704	79	890-802/011-000	36	890-944	87	891-8982/006-702	49
890-705	101	890-803	59	890-945	87	891-8982/006-801	49
890-712	33	890-803/011-000	60	890-979	109	891-8982/006-802	49
890-713	57	890-804	81	890-980	109	891-8982/016-101	50
890-714	79	890-804/011-000	82	890-982	109	891-8982/016-102	50
890-715	101	890-805	103	890-983	109	891-8982/016-201	50
890-722	33	890-805/011-000	104	890-994	87	891-8982/016-202	50
890-723	57	890-812	35	890-995	87	891-8982/016-301	50
890-724	79	890-812/011-000	36	890-1102	31	891-8982/016-302	50
890-725	101	890-813	59	890-1105	98	891-8982/016-401	50
890-732	33	890-813/011-000	60	890-1112	31	891-8982/016-402	50
890-733	57	890-814	81	890-1115	98	891-8982/016-501	50
890-734	79	890-814/011-000	82	890-1601	39	891-8982/016-502	50
890-735	101	890-815	103	890-1602	39	891-8982/016-601	50
890-742	33	890-815/011-000	104	890-1603	39	891-8982/016-602	50
890-742/060-000	33	890-822	35	890-1606	39	891-8982/016-701	50
890-743	57	890-822/011-000	36	890-1615	39	891-8982/016-702	50
890-743/060-000	57	890-823	39	890-1617	39	891-8982/016-801	50
890-743/062-000	57	890-823/011-000	60	890-1620	39	891-8982/016-802	50
890-744	79	890-824	81	890-1622	40	891-8982/106-101	49
890-744/060-000	79	890-824/011-000	82	890-1631	86	891-8982/106-102	49
890-744/062-000	79	890-825	103	890-1632	86	891-8982/106-201	49
890-744/064-000	79	890-825/011-000	104	890-1633	86	891-8982/106-202	49
890-745	101	890-832	35	890-1634	40	891-8982/106-301	49
890-745/060-000	101	890-832/011-000	36	890-1636	40	891-8982/106-302	49
890-745/062-000	101	890-833	59	890-1656	39	891-8982/106-401	49

Item No.	Page	Item No.	Page	Item No.	Page	Item No.	Page
891 Series		891 Series		891 Series		891 Series	
891-8982/106-402	49	891-8985/016-501	116	891-8992/005-207	47	891-8992/015-601	44
891-8982/106-501	49	891-8985/016-502	116	891-8992/005-301	43	891-8992/015-602	44
891-8982/106-502	49	891-8985/016-601	116	891-8992/005-302	43	891-8992/015-701	44
891-8982/106-601	49	891-8985/016-602	116	891-8992/005-303	47	891-8992/015-702	44
891-8982/106-602	49	891-8985/016-701	116	891-8992/005-305	47	891-8992/015-801	44
891-8982/106-701	49	891-8985/016-702	116	891-8992/005-307	47	891-8992/015-802	44
891-8982/106-702	49	891-8985/016-801	116	891-8992/005-401	43	891-8992/016-101	46
891-8982/106-801	49	891-8985/016-802	116	891-8992/005-402	43	891-8992/016-102	46
891-8982/106-802	49	891-8985/106-101	115	891-8992/005-403	47	891-8992/016-201	46
891-8982/116-101	50	891-8985/106-102	115	891-8992/005-405	47	891-8992/016-202	46
891-8982/116-102	50	891-8985/106-201	115	891-8992/005-407	47	891-8992/016-301	46
891-8982/116-201	50	891-8985/106-202	115	891-8992/005-501	43	891-8992/016-302	46
891-8982/116-202	50	891-8985/106-301	115	891-8992/005-502	43	891-8992/016-401	46
891-8982/116-301	50	891-8985/106-302	115	891-8992/005-503	47	891-8992/016-402	46
891-8982/116-302	50	891-8985/106-401	115	891-8992/005-505	47	891-8992/016-501	46
891-8982/116-401	50	891-8985/106-402	115	891-8992/005-507	47	891-8992/016-502	46
891-8982/116-402	50	891-8985/106-501	115	891-8992/005-601	43	891-8992/016-601	46
891-8982/116-501	50	891-8985/106-502	115	891-8992/005-602	43	891-8992/016-602	46
891-8982/116-502	50	891-8985/106-601	115	891-8992/005-603	47	891-8992/016-701	46
891-8982/116-601	50	891-8985/106-602	115	891-8992/005-605	47	891-8992/016-702	46
891-8982/116-602	50	891-8985/106-701	115	891-8992/005-607	47	891-8992/016-801	46
891-8982/116-701	50	891-8985/106-702	115	891-8992/005-701	43	891-8992/016-802	46
891-8982/116-702	50	891-8985/106-801	115	891-8992/005-702	43	891-8992/105-101	43
891-8982/116-801	50	891-8985/106-802	115	891-8992/005-703	47	891-8992/105-102	43
891-8982/116-802	50	891-8985/116-101	116	891-8992/005-705	47	891-8992/105-103	47
891-8982/206-101	49	891-8985/116-102	116	891-8992/005-707	47	891-8992/105-105	47
891-8982/206-102	49	891-8985/116-201	116	891-8992/005-801	43	891-8992/105-107	47
891-8982/206-201	49	891-8985/116-202	116	891-8992/005-802	43	891-8992/105-201	43
891-8982/206-202	49	891-8985/116-301	116	891-8992/005-803	47	891-8992/105-202	43
891-8982/206-301	49	891-8985/116-302	116	891-8992/005-805	47	891-8992/105-203	47
891-8982/206-302	49	891-8985/116-401	116	891-8992/005-807	47	891-8992/105-205	47
891-8982/206-401	49	891-8985/116-402	116	891-8992/006-101	45	891-8992/105-207	47
891-8982/206-402	49	891-8985/116-501	116	891-8992/006-102	45	891-8992/105-301	43
891-8982/206-501	49	891-8985/116-502	116	891-8992/006-103	48	891-8992/105-302	43
891-8982/206-502	49	891-8985/116-601	116	891-8992/006-105	48	891-8992/105-303	47
891-8982/206-601	49	891-8985/116-602	116	891-8992/006-107	48	891-8992/105-305	47
891-8982/206-602	49	891-8985/116-701	116	891-8992/006-201	45	891-8992/105-307	47
891-8982/206-701	49	891-8985/116-702	116	891-8992/006-202	45	891-8992/105-401	43
891-8982/206-702	49	891-8985/116-801	116	891-8992/006-203	48	891-8992/105-402	43
891-8982/206-801	49	891-8985/116-802	116	891-8992/006-205	48	891-8992/105-403	47
891-8982/206-802	49	891-8985/206-101	115	891-8992/006-207	48	891-8992/105-405	47
891-8982/216-101	50	891-8985/206-102	115	891-8992/006-301	45	891-8992/105-407	47
891-8982/216-102	50	891-8985/206-201	115	891-8992/006-302	45	891-8992/105-501	43
891-8982/216-201	50	891-8985/206-202	115	891-8992/006-303	48	891-8992/105-502	43
891-8982/216-202	50	891-8985/206-301	115	891-8992/006-305	48	891-8992/105-503	47
891-8982/216-301	50	891-8985/206-302	115	891-8992/006-307	48	891-8992/105-505	47
891-8982/216-302	50	891-8985/206-401	115	891-8992/006-401	45	891-8992/105-507	47
891-8982/216-401	50	891-8985/206-402	115	891-8992/006-402	45	891-8992/105-601	43
891-8982/216-402	50	891-8985/206-501	115	891-8992/006-403	48	891-8992/105-602	43
891-8982/216-501	50	891-8985/206-502	115	891-8992/006-405	48	891-8992/105-603	47
891-8982/216-502	50	891-8985/206-601	115	891-8992/006-407	48	891-8992/105-605	47
891-8982/216-601	50	891-8985/206-602	115	891-8992/006-501	45	891-8992/105-607	47
891-8982/216-602	50	891-8985/206-701	115	891-8992/006-502	45	891-8992/105-701	43
891-8982/216-701	50	891-8985/206-702	115	891-8992/006-503	48	891-8992/105-702	43
891-8982/216-702	50	891-8985/206-801	115	891-8992/006-505	48	891-8992/105-703	47
891-8982/216-801	50	891-8985/206-802	115	891-8992/006-507	48	891-8992/105-705	47
891-8982/216-802	50	891-8985/216-101	116	891-8992/006-601	45	891-8992/105-707	47
891-8985/006-101	115	891-8985/216-102	116	891-8992/006-602	45	891-8992/105-801	43
891-8985/006-102	115	891-8985/216-201	116	891-8992/006-603	48	891-8992/105-802	43
891-8985/006-201	115	891-8985/216-202	116	891-8992/006-605	48	891-8992/105-803	47
891-8985/006-202	115	891-8985/216-301	116	891-8992/006-607	48	891-8992/105-805	47
891-8985/006-301	115	891-8985/216-302	116	891-8992/006-701	45	891-8992/105-807	47
891-8985/006-302	115	891-8985/216-401	116	891-8992/006-702	45	891-8992/106-101	45
891-8985/006-401	115	891-8985/216-402	116	891-8992/006-703	48	891-8992/106-102	45
891-8985/006-402	115	891-8985/216-501	116	891-8992/006-705	48	891-8992/106-103	48
891-8985/006-501	115	891-8985/216-502	116	891-8992/006-707	48	891-8992/106-105	48
891-8985/006-502	115	891-8985/216-601	116	891-8992/006-801	45	891-8992/106-107	48
891-8985/006-601	115	891-8985/216-602	116	891-8992/006-802	45	891-8992/106-201	45
891-8985/006-602	115	891-8985/216-701	116	891-8992/006-803	48	891-8992/106-202	45
891-8985/006-701	115	891-8985/216-702	116	891-8992/006-805	48	891-8992/106-203	48
891-8985/006-702	115	891-8985/216-801	116	891-8992/006-807	48	891-8992/106-205	48
891-8985/006-801	115	891-8985/216-802	116	891-8992/015-101	44	891-8992/106-207	48
891-8985/006-802	115	891-8992/005-101	43	891-8992/015-102	44	891-8992/106-301	45
891-8985/016-101	116	891-8992/005-102	43	891-8992/015-201	44	891-8992/106-302	45
891-8985/016-102	116	891-8992/005-103	47	891-8992/015-202	44	891-8992/106-303	48
891-8985/016-201	116	891-8992/005-105	47	891-8992/015-301	44	891-8992/106-305	48
891-8985/016-202	116	891-8992/005-107	47	891-8992/015-302	44	891-8992/106-307	48
891-8985/016-301	116	891-8992/005-201	43	891-8992/015-401	44	891-8992/106-401	45
891-8985/016-302	116	891-8992/005-202	43	891-8992/015-402	44	891-8992/106-402	45
891-8985/016-401	116	891-8992/005-203	47	891-8992/015-501	44	891-8992/106-403	48
891-8985/016-402	116	891-8992/005-205	47	891-8992/015-502	44	891-8992/106-405	48

Item No.	Page	Item No.	Page	Item No.	Page	Item No.	Page
891 Series		891 Series		891 Series		891 Series	
891-8993/106-203	72	891-8993/205-402	67	891-8993/216-102	70	891-8994/016-201	92
891-8993/106-205	72	891-8993/205-403	71	891-8993/216-201	70	891-8994/016-202	92
891-8993/106-207	72	891-8993/205-405	71	891-8993/216-202	70	891-8994/016-301	92
891-8993/106-301	69	891-8993/205-407	71	891-8993/216-301	70	891-8994/016-302	92
891-8993/106-302	69	891-8993/205-501	67	891-8993/216-302	70	891-8994/016-401	92
891-8993/106-303	72	891-8993/205-502	67	891-8993/216-401	70	891-8994/016-402	92
891-8993/106-305	72	891-8993/205-503	71	891-8993/216-402	70	891-8994/016-501	92
891-8993/106-307	72	891-8993/205-505	71	891-8993/216-501	70	891-8994/016-502	92
891-8993/106-401	69	891-8993/205-507	71	891-8993/216-502	70	891-8994/016-601	92
891-8993/106-402	69	891-8993/205-601	67	891-8993/216-601	70	891-8994/016-602	92
891-8993/106-403	72	891-8993/205-602	67	891-8993/216-602	70	891-8994/016-701	92
891-8993/106-405	72	891-8993/205-603	71	891-8993/216-701	70	891-8994/016-702	92
891-8993/106-407	72	891-8993/205-605	71	891-8993/216-702	70	891-8994/016-801	92
891-8993/106-501	69	891-8993/205-607	71	891-8993/216-801	70	891-8994/016-802	92
891-8993/106-502	69	891-8993/205-701	67	891-8993/216-802	70	891-8994/105-103	93
891-8993/106-503	72	891-8993/205-702	67	891-8994/005-103	93	891-8994/105-105	93
891-8993/106-505	72	891-8993/205-703	71	891-8994/005-105	93	891-8994/105-107	93
891-8993/106-507	72	891-8993/205-705	71	891-8994/005-107	93	891-8994/105-203	93
891-8993/106-601	69	891-8993/205-707	71	891-8994/005-203	93	891-8994/105-205	93
891-8993/106-602	69	891-8993/205-801	67	891-8994/005-205	93	891-8994/105-207	93
891-8993/106-603	72	891-8993/205-802	67	891-8994/005-207	93	891-8994/105-303	93
891-8993/106-605	72	891-8993/205-803	71	891-8994/005-303	93	891-8994/105-305	93
891-8993/106-607	72	891-8993/205-805	71	891-8994/005-305	93	891-8994/105-307	93
891-8993/106-701	69	891-8993/205-807	71	891-8994/005-307	93	891-8994/105-403	93
891-8993/106-702	69	891-8993/206-101	69	891-8994/005-403	93	891-8994/105-405	93
891-8993/106-703	72	891-8993/206-102	69	891-8994/005-405	93	891-8994/105-407	93
891-8993/106-705	72	891-8993/206-103	72	891-8994/005-407	93	891-8994/105-503	93
891-8993/106-707	72	891-8993/206-105	72	891-8994/005-503	93	891-8994/105-505	93
891-8993/106-801	69	891-8993/206-107	72	891-8994/005-505	93	891-8994/105-507	93
891-8993/106-802	69	891-8993/206-201	69	891-8994/005-507	93	891-8994/105-603	93
891-8993/106-803	72	891-8993/206-202	69	891-8994/005-603	93	891-8994/105-605	93
891-8993/106-805	72	891-8993/206-203	72	891-8994/005-605	93	891-8994/105-607	93
891-8993/106-807	72	891-8993/206-205	72	891-8994/005-607	93	891-8994/105-703	93
891-8993/115-101	68	891-8993/206-207	72	891-8994/005-703	93	891-8994/105-705	93
891-8993/115-102	68	891-8993/206-301	69	891-8994/005-705	93	891-8994/105-707	93
891-8993/115-201	68	891-8993/206-302	69	891-8994/005-707	93	891-8994/105-803	93
891-8993/115-202	68	891-8993/206-303	72	891-8994/005-803	93	891-8994/105-805	93
891-8993/115-301	68	891-8993/206-305	72	891-8994/005-805	93	891-8994/105-807	93
891-8993/115-302	68	891-8993/206-307	72	891-8994/005-807	93	891-8994/106-101	91
891-8993/115-401	68	891-8993/206-401	69	891-8994/006-101	91	891-8994/106-102	91
891-8993/115-402	68	891-8993/206-402	69	891-8994/006-102	91	891-8994/106-103	94
891-8993/115-501	68	891-8993/206-403	72	891-8994/006-103	94	891-8994/106-105	94
891-8993/115-502	68	891-8993/206-405	72	891-8994/006-105	94	891-8994/106-107	94
891-8993/115-601	68	891-8993/206-407	72	891-8994/006-107	94	891-8994/106-201	91
891-8993/115-602	68	891-8993/206-501	69	891-8994/006-201	91	891-8994/106-202	91
891-8993/115-701	68	891-8993/206-502	69	891-8994/006-202	91	891-8994/106-203	94
891-8993/115-702	68	891-8993/206-503	72	891-8994/006-203	94	891-8994/106-205	94
891-8993/115-801	68	891-8993/206-505	72	891-8994/006-205	94	891-8994/106-207	94
891-8993/115-802	68	891-8993/206-507	72	891-8994/006-207	94	891-8994/106-301	91
891-8993/116-101	70	891-8993/206-601	69	891-8994/006-301	91	891-8994/106-302	91
891-8993/116-102	70	891-8993/206-602	69	891-8994/006-302	91	891-8994/106-303	94
891-8993/116-201	70	891-8993/206-603	72	891-8994/006-303	94	891-8994/106-305	94
891-8993/116-202	70	891-8993/206-605	72	891-8994/006-305	94	891-8994/106-307	94
891-8993/116-301	70	891-8993/206-607	72	891-8994/006-307	94	891-8994/106-401	91
891-8993/116-302	70	891-8993/206-701	69	891-8994/006-401	91	891-8994/106-402	91
891-8993/116-401	70	891-8993/206-702	69	891-8994/006-402	91	891-8994/106-403	94
891-8993/116-402	70	891-8993/206-703	72	891-8994/006-403	94	891-8994/106-405	94
891-8993/116-501	70	891-8993/206-705	72	891-8994/006-405	94	891-8994/106-407	94
891-8993/116-502	70	891-8993/206-707	72	891-8994/006-407	94	891-8994/106-501	91
891-8993/116-601	70	891-8993/206-801	69	891-8994/006-501	91	891-8994/106-502	91
891-8993/116-602	70	891-8993/206-802	69	891-8994/006-502	91	891-8994/106-503	94
891-8993/116-701	70	891-8993/206-803	72	891-8994/006-503	94	891-8994/106-505	94
891-8993/116-702	70	891-8993/206-805	72	891-8994/006-505	94	891-8994/106-507	94
891-8993/116-801	70	891-8993/206-807	72	891-8994/006-507	94	891-8994/106-601	91
891-8993/116-802	70	891-8993/215-101	68	891-8994/006-601	91	891-8994/106-602	91
891-8993/205-101	67	891-8993/215-102	68	891-8994/006-602	91	891-8994/106-603	94
891-8993/205-102	67	891-8993/215-201	68	891-8994/006-603	94	891-8994/106-605	94
891-8993/205-103	71	891-8993/215-202	68	891-8994/006-605	94	891-8994/106-607	94
891-8993/205-105	71	891-8993/215-301	68	891-8994/006-607	94	891-8994/106-701	91
891-8993/205-107	71	891-8993/215-302	68	891-8994/006-701	91	891-8994/106-702	91
891-8993/205-201	67	891-8993/215-401	68	891-8994/006-702	91	891-8994/106-703	94
891-8993/205-202	67	891-8993/215-402	68	891-8994/006-703	94	891-8994/106-705	94
891-8993/205-203	71	891-8993/215-501	68	891-8994/006-705	94	891-8994/106-707	94
891-8993/205-205	71	891-8993/215-502	68	891-8994/006-707	94	891-8994/106-801	91
891-8993/205-207	71	891-8993/215-601	68	891-8994/006-801	91	891-8994/106-802	91
891-8993/205-301	67	891-8993/215-602	68	891-8994/006-802	91	891-8994/106-803	94
891-8993/205-302	67	891-8993/215-701	68	891-8994/006-803	94	891-8994/106-805	94
891-8993/205-303	71	891-8993/215-702	68	891-8994/006-805	94	891-8994/106-807	94
891-8993/205-305	71	891-8993/215-801	68	891-8994/006-807	94	891-8994/116-101	92
891-8993/205-307	71	891-8993/215-802	68	891-8994/016-101	92	891-8994/116-102	92
891-8993/205-401	67	891-8993/216-101	70	891-8994/016-102	92	891-8994/116-201	92

Item No.	Page	Item No.	Page	Item No.	Page	Item No.	Page
891 Series		897 Series					
891-8995/216-402	112	897-1050	391				
891-8995/216-501	112	897-1051	393				
891-8995/216-502	112	897-1052	393				
891-8995/216-601	112	897-1650	391				
891-8995/216-602	112	897-1651	393				
891-8995/216-701	112	897-1652	393				
891-8995/216-702	112	897-2001	370				
891-8995/216-801	112	897-2003	370				
891-8995/216-802	112	897-2005	375				
893 Series		899 Series					
893-121	319	899-631	365				
893-122	320	899-631/100-000	347				
893-129	320	899-631/104-000	339				
893-261	315	899-631/105-000	345				
893-262	316	899-631/149-000	344				
893-269	316	899-631/180-000	356				
893-1002	299	899-631/181-000	354				
893-1012	299	899-631/186-000	348				
893-1022	299	899-631/187-000	343				
893-1032	299	899-631/189-000	359				
893-1606	303	899-631/302-000	349				
893-1656	303	899-631/305-000	360				
893-2002	301	899-631/308-000	359				
893-2012	301	899-631/309-000	356				
893-2022	301	899-631/311-000	342				
893-2032	301	899-631/313-000	352				
		899-631/315-000	361				
		899-631/327-000	342				
894 Series		899-631/330-000	340				
894-8992/033-106	305	899-631/331-000	339				
894-8992/033-306	305	899-631/334-000	341				
894-8992/033-506	305	899-631/338-000	345				
894-8992/133-106	305	899-631/339-000	346				
894-8992/133-306	305	899-631/346-000	344				
894-8992/133-506	305	899-631/363-000	357				
894-8992/233-106	305	899-631/386-000	358				
894-8992/233-306	305	899-631/395-000	338				
894-8992/233-506	305	899-631/405-000	355				
		899-631/421-000	355				
		899-631/450-000	350				
895 Series		899-631/453-000	350				
895-1051	327	899-631/454-000	351				
895-1052	328	899-631/455-000	353				
895-1601	389	899-631/476-000	338				
895-1602	389	899-631/477-000	341				
895-1603	389	899-631/478-000	357				
895-1604	389	899-632	365				
895-1605	389	899-632/101-000	362				
895-1651	331	899-632/102-000	364				
895-1652	332	899-632/103-000	363				
		899-632/138-000	362				
		899-680	337				
896 Series		899-681	365				
896-231	323	899-681/100-000	347				
896-232	324	899-681/104-000	340				
896-233	325	899-681/123-000	346				
896-234	325	899-681/144-000	348				
		899-681/146-000	352				
		899-681/147-000	353				
		899-682	365				
897 Series							
897-120	391						
897-121	391						
897-122	391						
897-230	391						
897-231	392						
897-232	392						
897-250	391						
897-251	392						
897-252	392						
897-260	391						
897-261	393						
897-262	393						
897-453	392						
897-839	390						
897-859	390						
897-878	390						
897-900	391						
897-901	391						
897-951	399						
897-952	399						
897-960	399						

WAGO GmbH & Co. KG

Postfach 2880 · D · 32385 Minden
Hansastraße 27 · D · 32423 Minden

info@wago.com

www.wago.com

Headquarters	+49 571 887 - 0
Sales	+49 571 887 - 44222
Order Service	+49 571 887 - 44333

Current addresses at www.wago.com

WAGO is a registered trademark of WAGO Verwaltungsgesellschaft mbH.

"Copyright – WAGO GmbH & Co. KG – All rights reserved.

The content and structure of the WAGO websites, catalogs, videos and other WAGO media are subject to copyright. Distribution or modification to the contents of these pages and videos is prohibited. Furthermore, the content may neither be copied nor made available to third parties for commercial purposes. Also subject to copyright are the images and videos that were made available to WAGO GmbH & Co. KG by third parties."