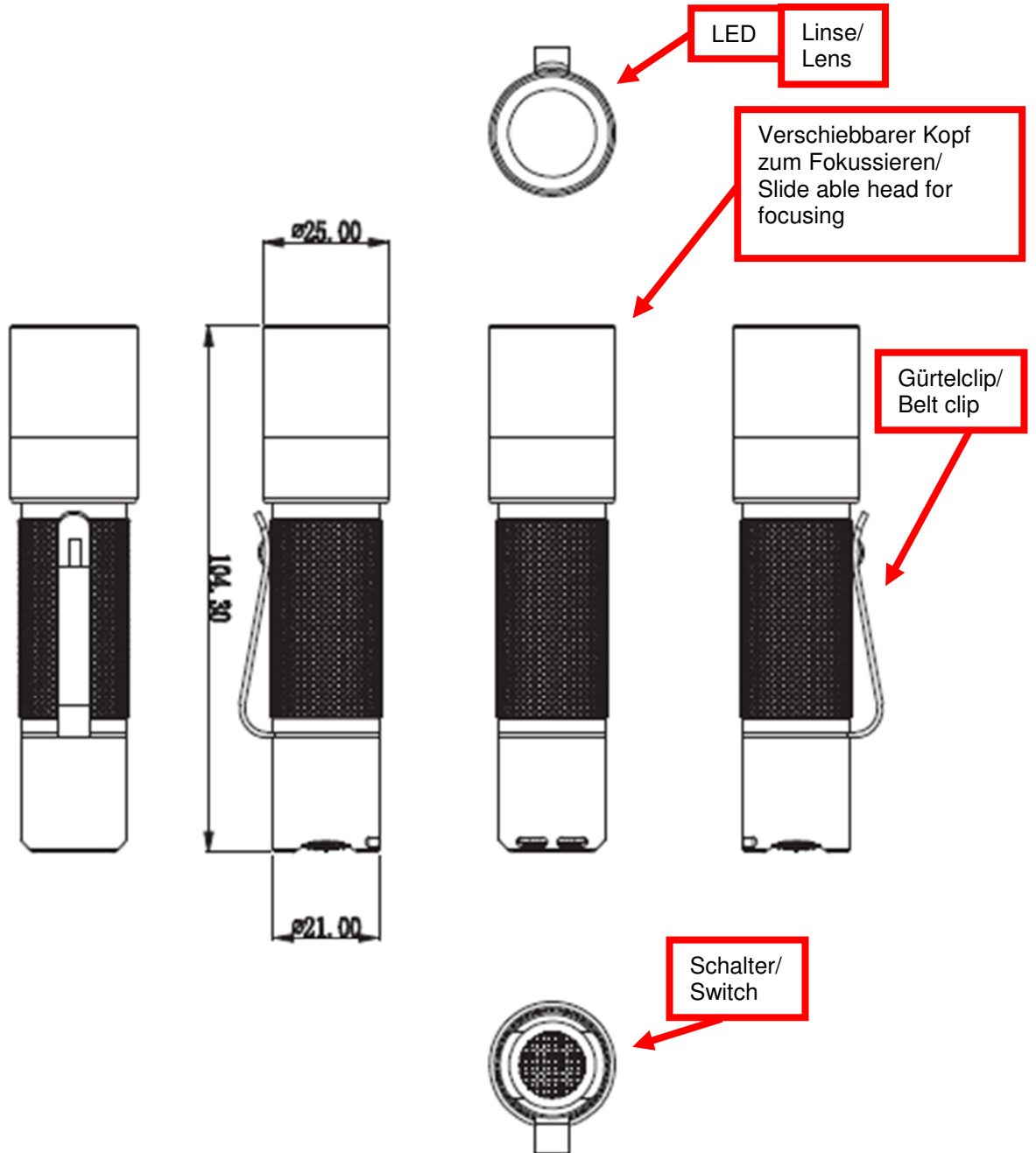


Produktname | *Product name*: M100F
 Artikelnummer | *Part Number*: 1600-0170
 Anfragenummer | *Inquiry Number*: AN201617
 Ersteller / Datum | *Creator / Date*: LHE / 2017-02-13

Version	Change	Date	Name
V1	technical data	2017-03-24	LHE
V0	---	2017-02-13	LHE

Template name: Light (Non-Rechargeable), Template version: V5

Leuchte / light



Technische Daten der Leuchte / technical data of the light:



Haupt-LED-Leuchtmittel:	3W LED (Fokussierbar)	Main LED illuminant:	3W LED (Focus able)
Schalterfunktion:	1. schalten: 100%	Switch function:	1. switch: 100%
	2. tippen: 30%		2. tap: 30%
	3. tippen: Strobe		3. tap: strobe
	4. schalten: Aus		4. switch: Off

Lichtstrom: [Lumen] 100% 30%	115lm 30lm	Luminous flux (light output): [Lumen]	115lm 30lm
Leuchtdauer: 100% 30%	ca. 2h 30min ca. 5h 00min	Run time: 100% 30%	approx. 2h 30min approx. 5h 00min
Leuchtweite: 100%: 30%:	70m 40m	Beam distance: 100%: 30%:	70m 40m
Maximale Beleuchtungsstärke: [Lux] 100%: 30%:	1250lx (Abstand:1m) 400lx (Abstand:1m)	Peak beam illuminance: [Lux] 100%: 30%:	1250lx (Distance:1m) 400lx (Distance:1m)
Risikogruppe (EN 62471; Bewertet nach DIN IEC/TR 62778 Anhang C.2)	2	Risk group (EN 62471; Assessed with TR 62778 Annex C.2)	2

Benötigte Zellen:	1x AA Mignon 1.5V Batterie/Batterien (Alkaline; LR6/AM3/MN1500)	Battery:	1x AA Mignon 1.5V battery/batteries (Alkaline; LR6/AM3/MN1500)
Schutzart des Gehäuses:	IP54	Degree of protection by the enclosure:	IP54
Gehäusematerial:	Aluminium	Housing material:	Aluminium
Betriebstemperatur:	-10°C...25°C	Operating temperature:	-10°C...25°C
Lagertemperatur:	-10°C...50°C (Nur Alkaline Batterie/Batterien) -20°C...70°C (Nur Lampe)	Storage temperature:	-10°C...50°C (Alkaline battery/batteries only) -20°C...70°C (Torch only)
Empfohlene Lagerbedingungen: (Nur Alkaline Batterie)	Temperatur: 5..25°C Luftfeuchtigkeit: 45..75%	Recommended storage conditions: (Alkaline battery only)	Temperature: 5...25°C Rel. humidity: 45...75 %
Approbationen:	CE	Approvals:	CE
Gewicht:	70g nur die Lampe 92g mit 1 x Batterie (wie oben beschrieben)	Weight:	70g only the torch 92g with 1 x battery (as described above)

Lieferumfang:	<ul style="list-style-type: none"> - 1x Batterie/Batterien (wie oben beschrieben) - Tragegurt - Gürtelclip 	Shipment:	<ul style="list-style-type: none"> - 1 x battery/batteries (as described above) - Lanyard - Belt clip
Verpackung:	Blister-Verpackung	Package:	Blister shell