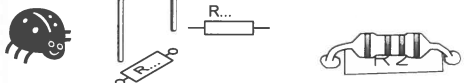


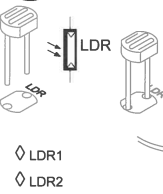
1 Resistor - Weerstand - Résistance - Widerstand - Resistencia - Motstand - Vastus - Resistenze

◇ R1,R2,R4,R5: 100
 (Brown, Black, Brown) - (Bruin, Zwart, Bruin) - (Brun, noir, Brun) - (Braun, Schwarz, Braun) - (Brun, Svart, Brun) - (Ruskea, Musta, Ruskea) - (Marrón, Negro, Marrón) - (Castanho, Preto, Castanho) - (Marrone, Nero, Marrone)

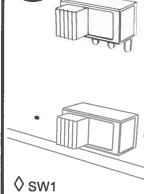
◇ R3,R6: 220
 (Red, Red, Brown) - (Rood, Rood, Bruin) - (Rouge, Rouge, Brun) - (Rot, Rot, Braun) - (Röd, Röd, Brun) - (Punainen, Punainen, Ruskea) - (Rojo, Rojo, Marrón) - (Encarnado, Encarnado, Castanho) - (Rosso, Rosso, Marrone)



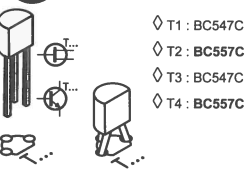
2 LDR



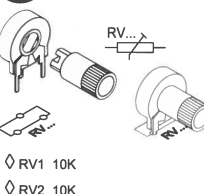
3 SWITCH



4 TRANSISTOR

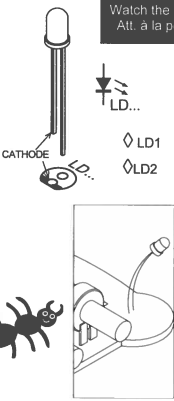


5 RESISTOR TRIMMER

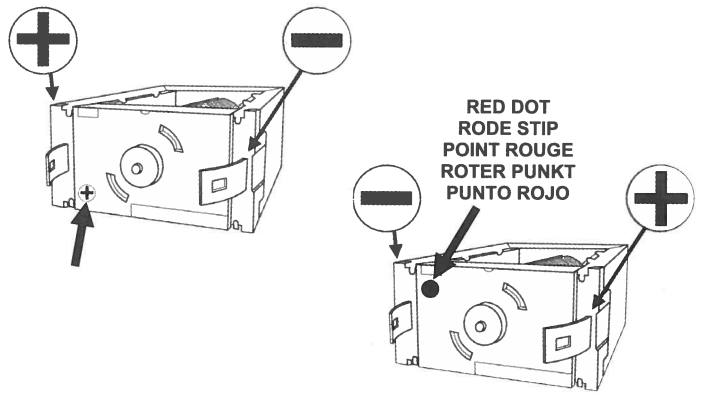


6 LED

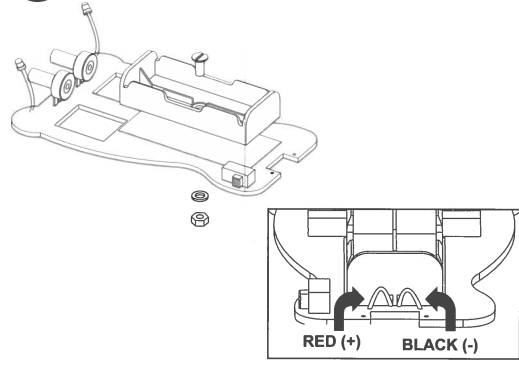
Watch the polarity!
 Att. a la polarité!



7 CHECK THE POLARITY



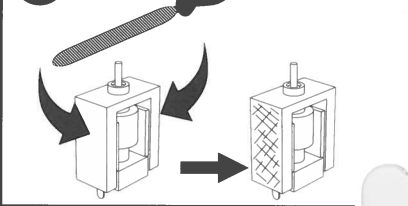
8 BATTERY HOLDER



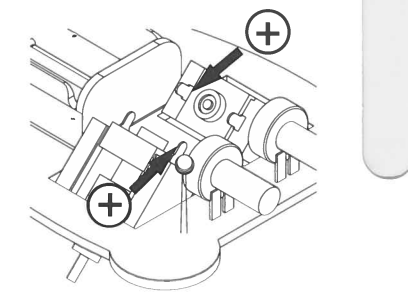
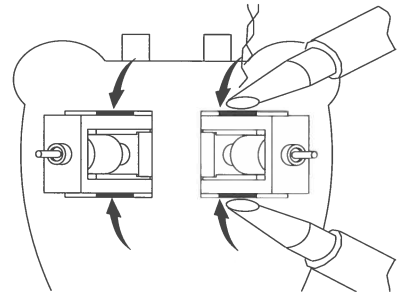
9



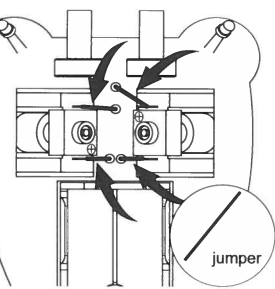
10



11



12



13

