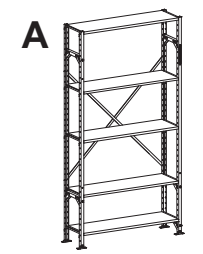
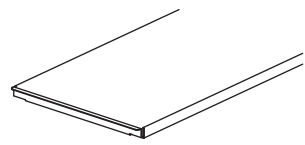
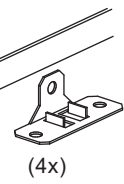
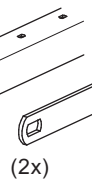
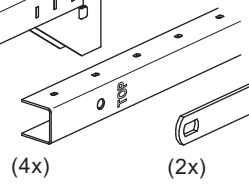
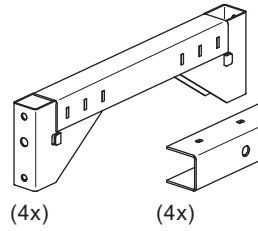
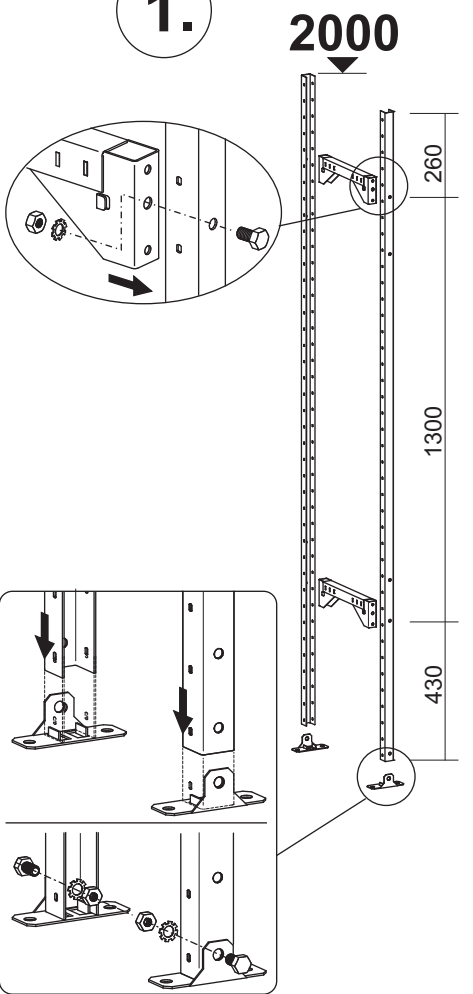


- (16x) M8x14
- (16x) M8
- (16x)
- (20x)

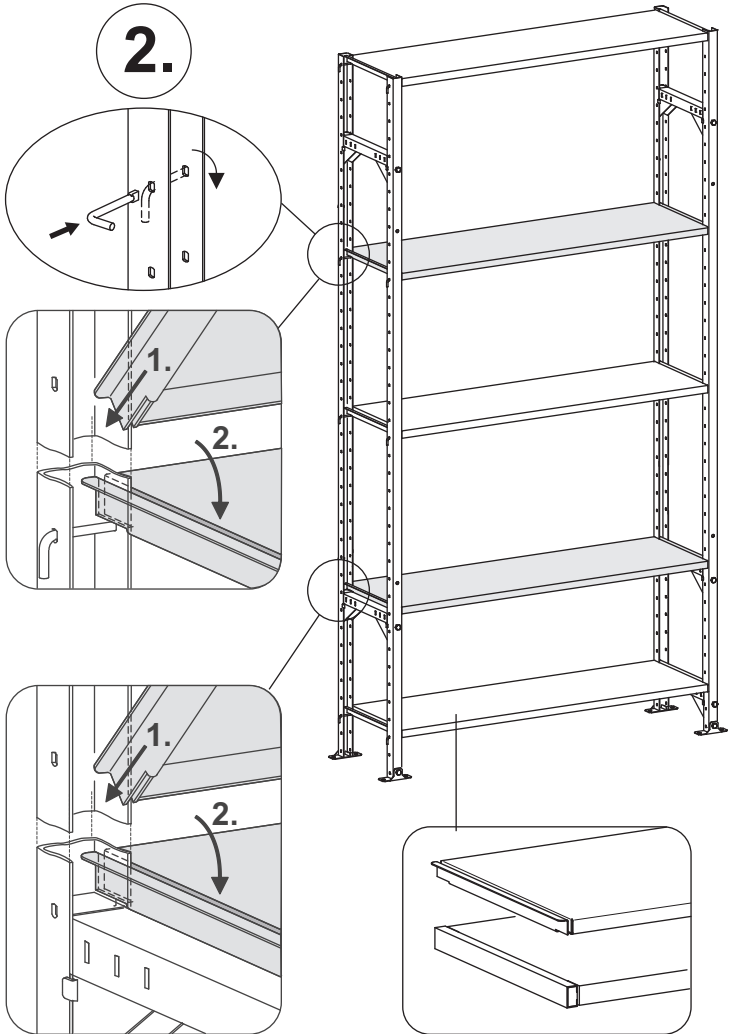


Budget light Grund 2000

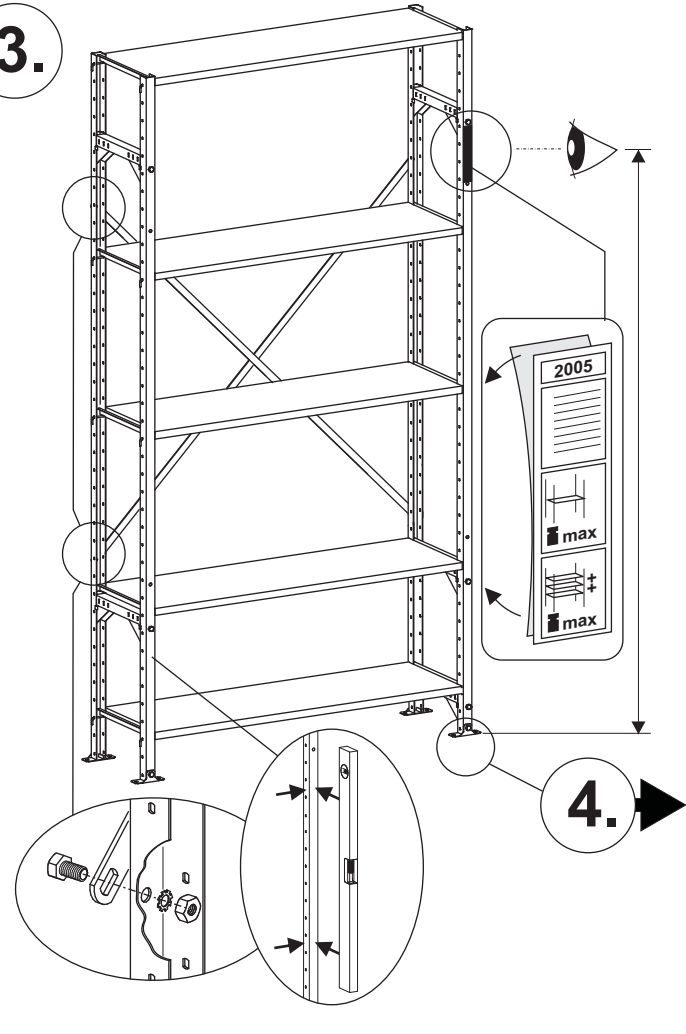
1.



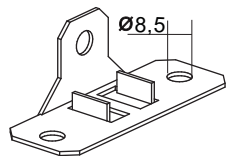
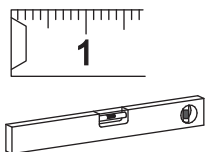
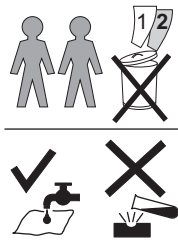
2.



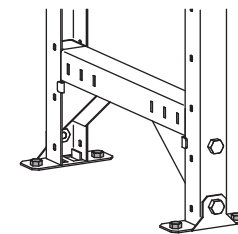
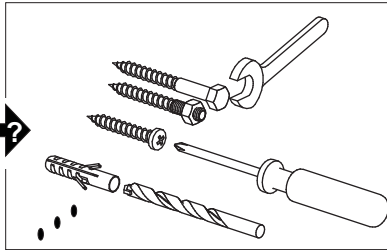
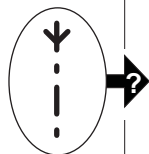
3.



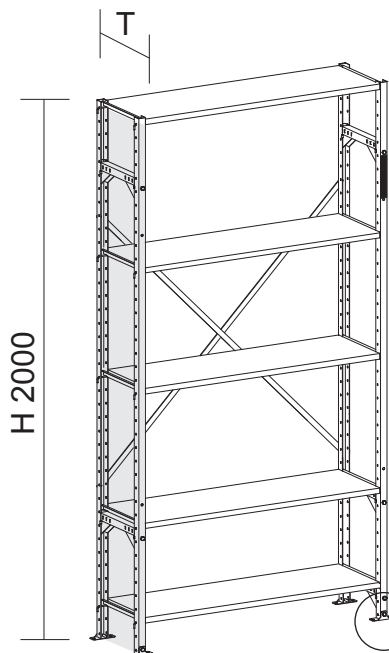
4.



(8x)



Budget light Grund 2000



4.

$H:T \geq 5:1$

$T = 300$
 400

$H:T < 5:1$

$T = 500$
 600