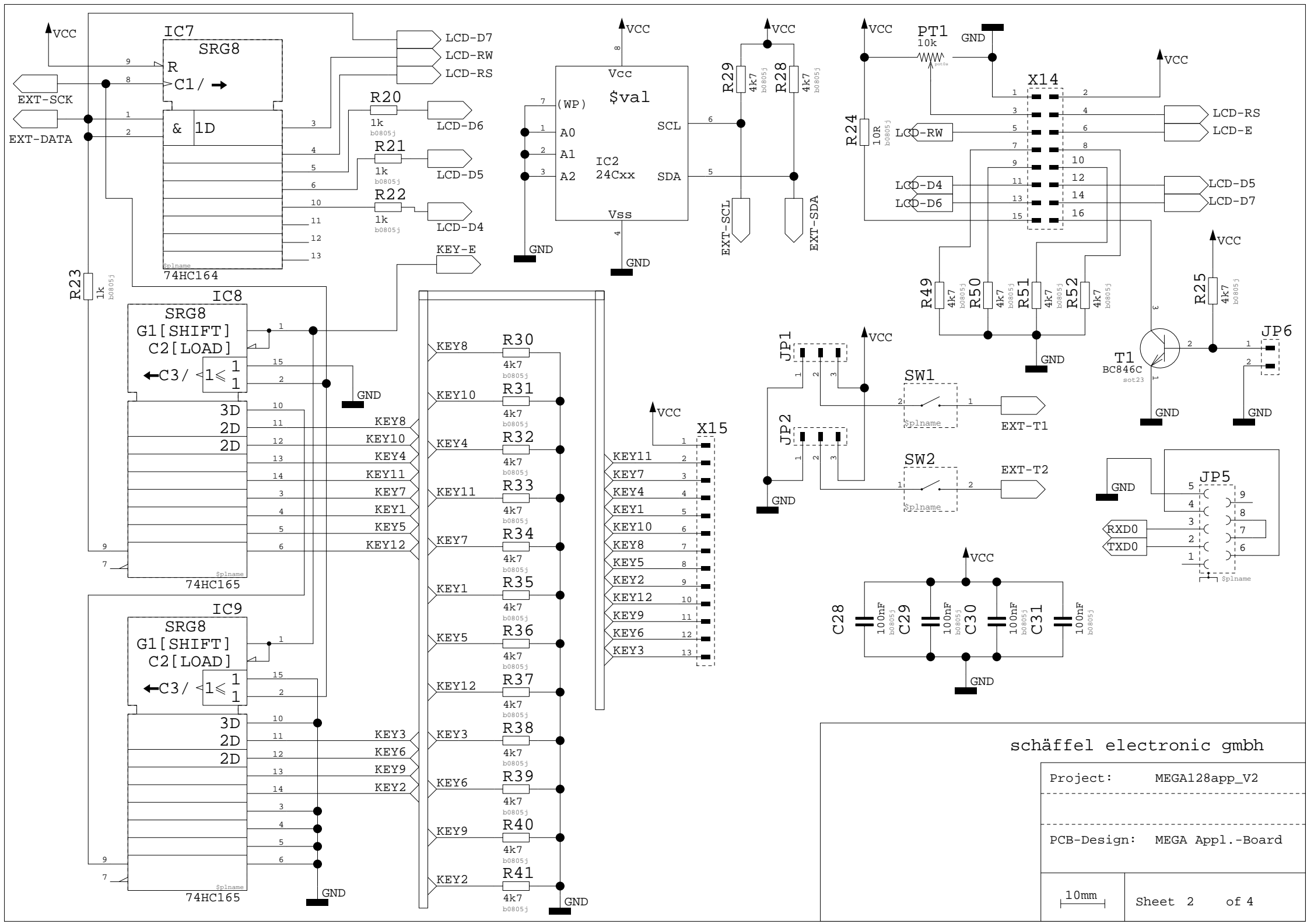


schäffel electronic gmbh

Project:	MEGA128app_V2

PCB-Design:	MEGA Appl.-Board

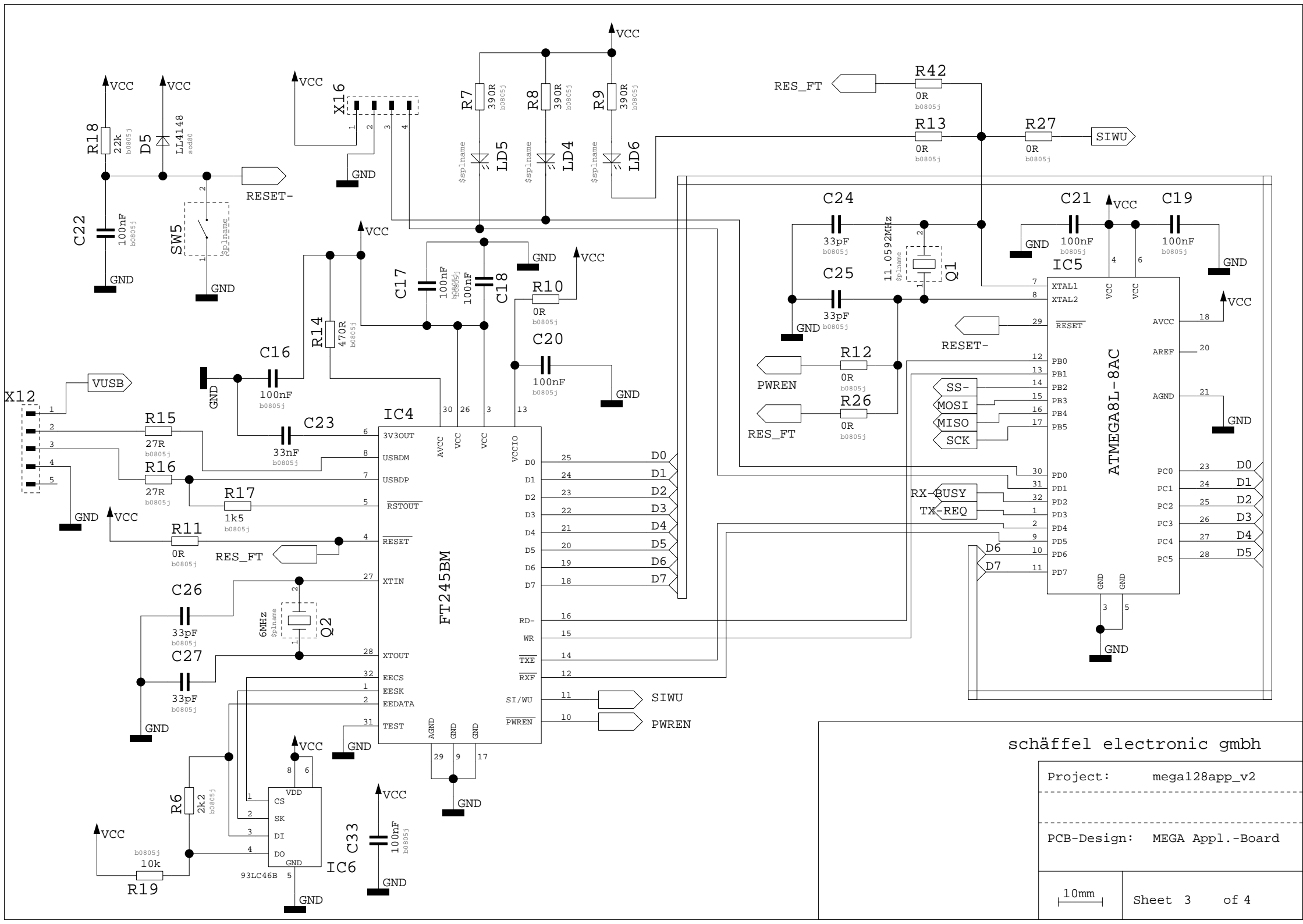
10mm	Sheet 1 of 4



schäffel electronic gmbh

Project:	MEGA128app_V2

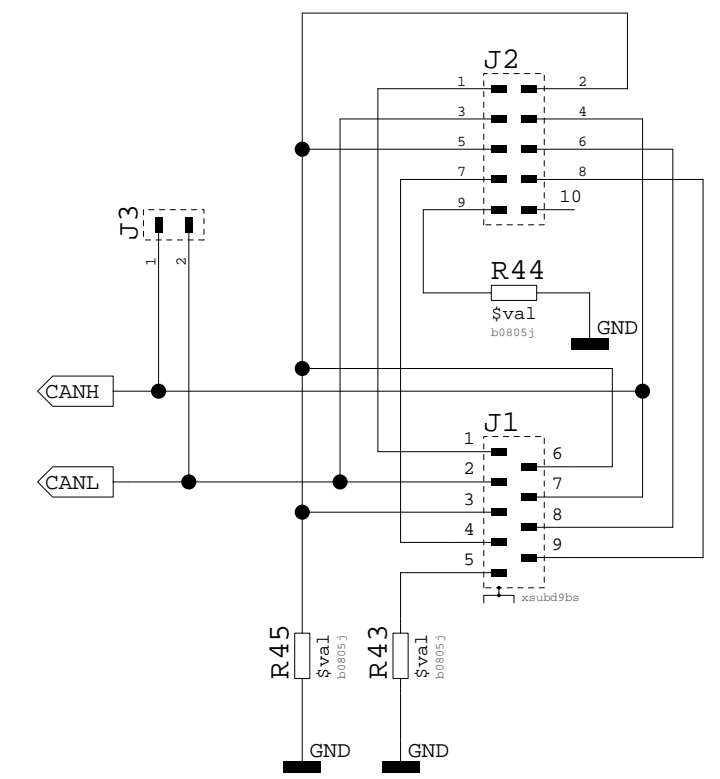
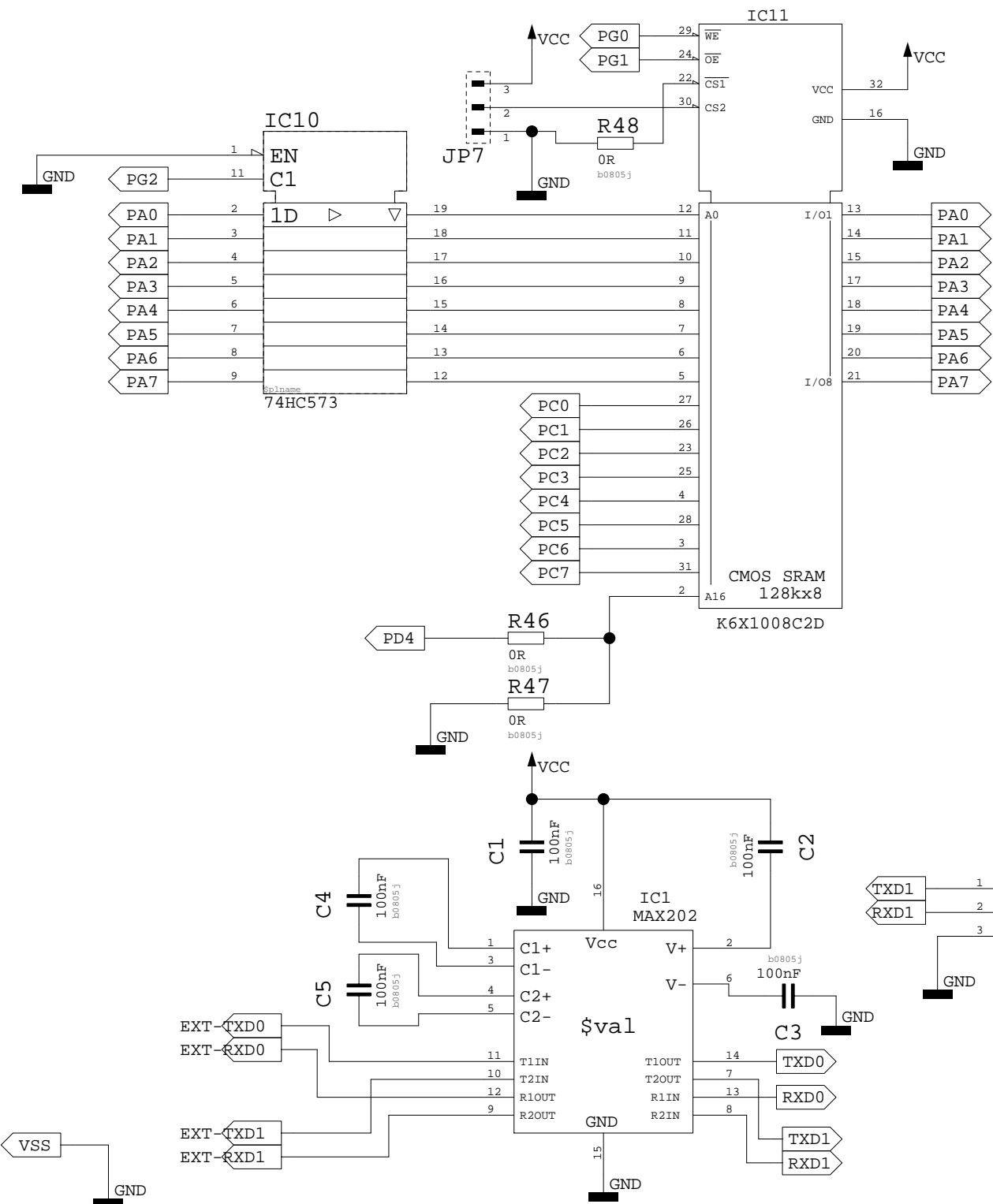
PCB-Design:	MEGA Appl.-Board



schäffel electronic gmbh

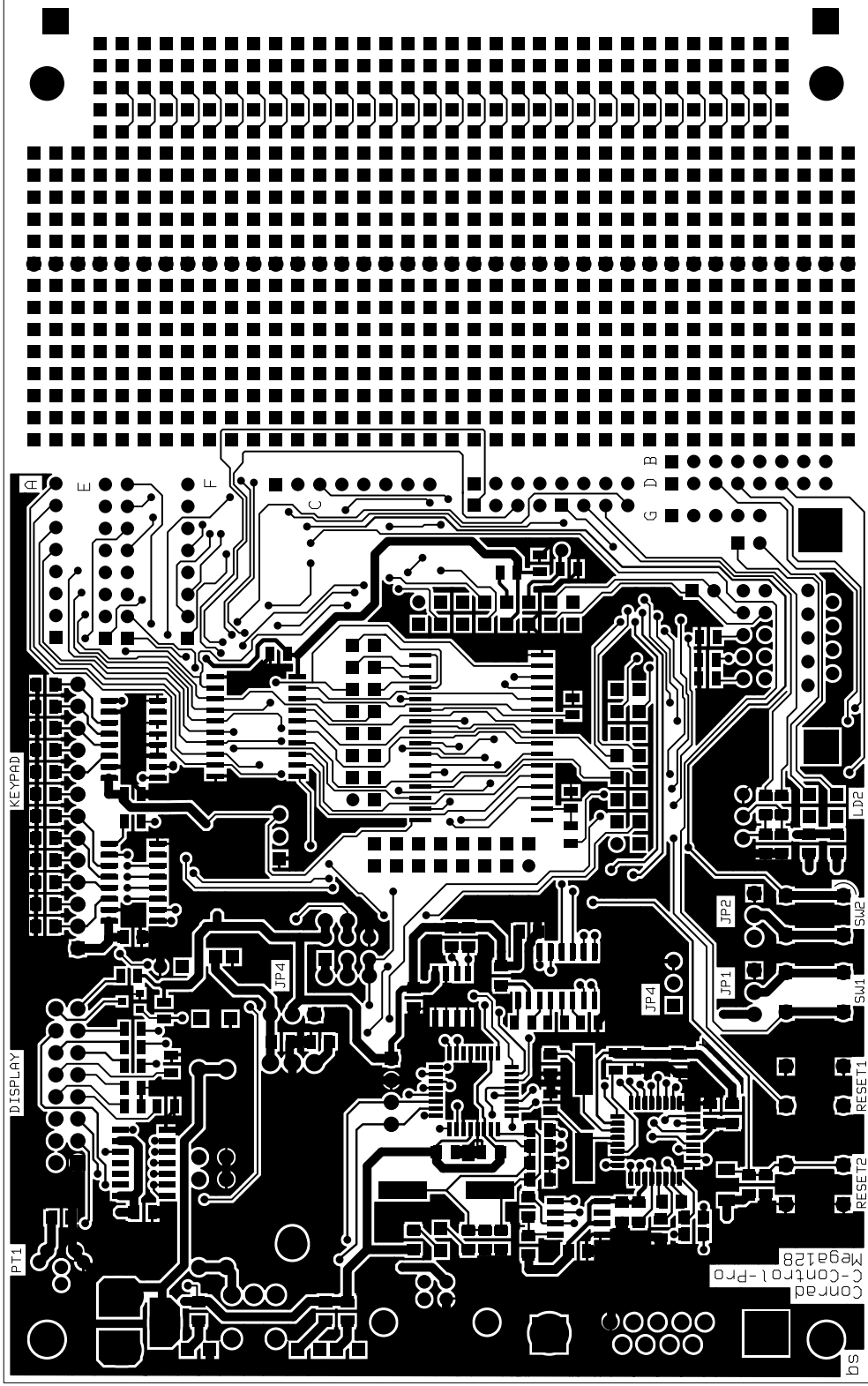
Project:	mega128app_v2

PCB-Design:	MEGA Appl.-Board



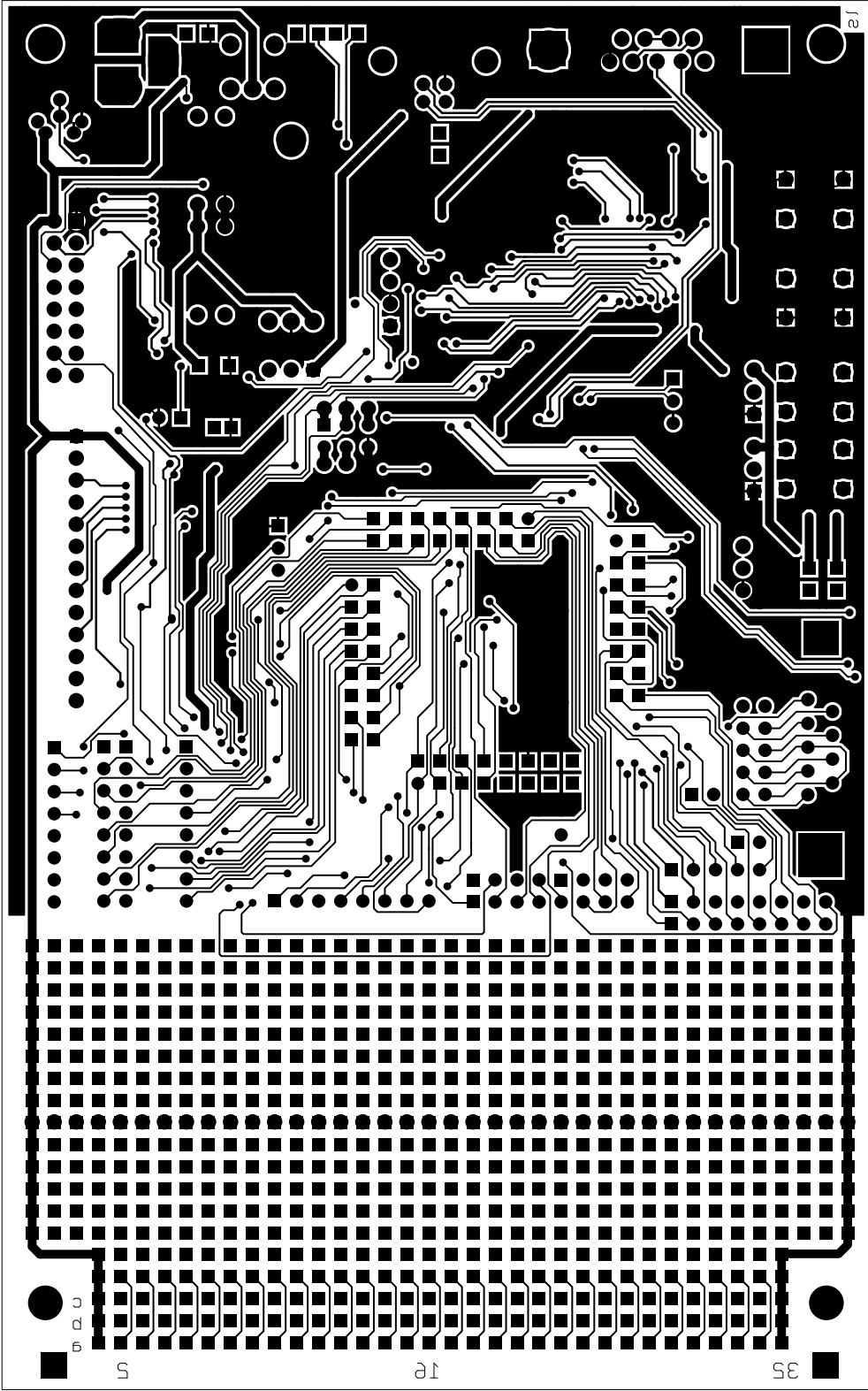
schäffel electronic gmbh

Project: mega128app_v2	
PCB-Design: MEGA Appl.-Board	
10mm	Sheet 4 of 4



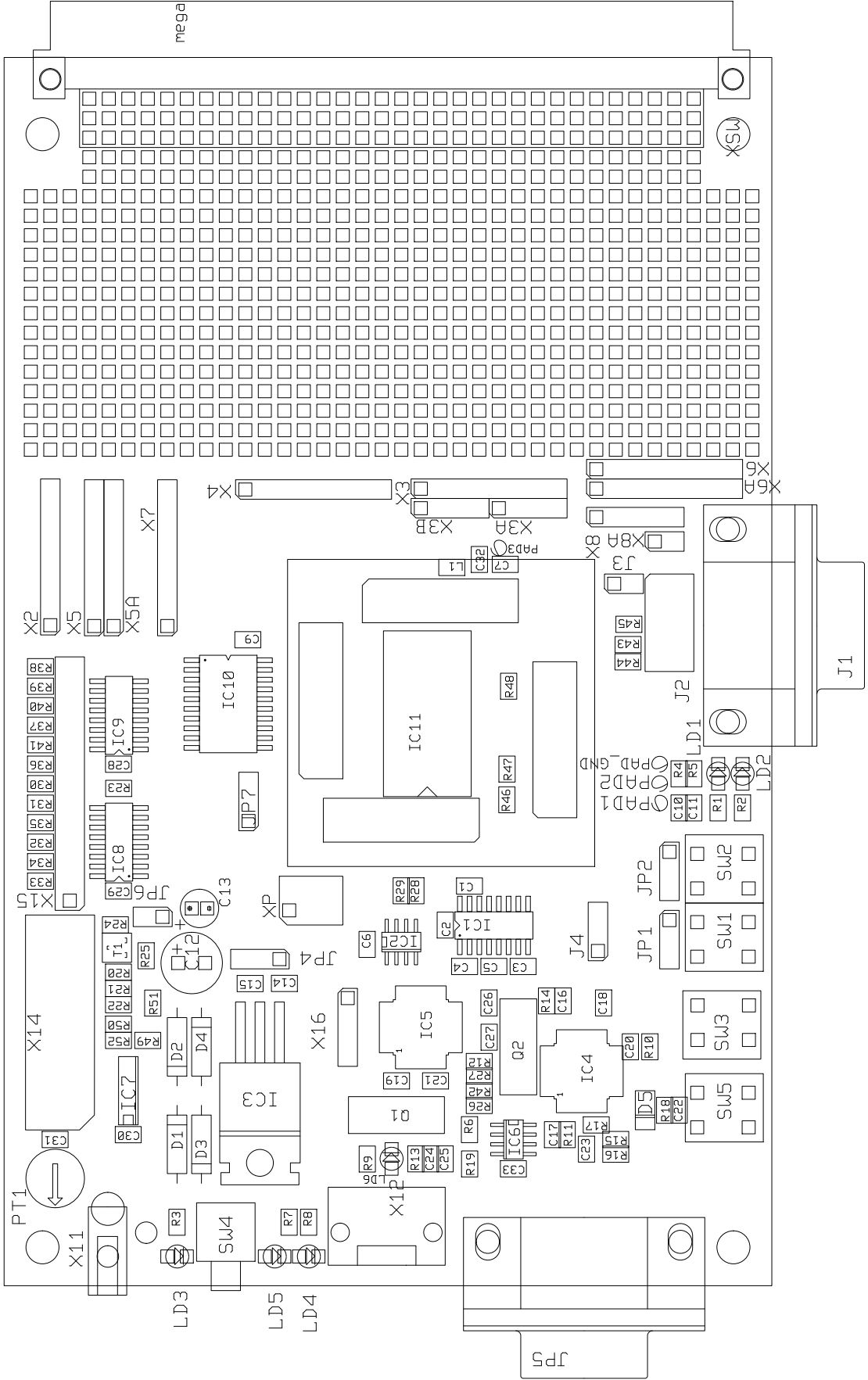
mega128app_v2 bs

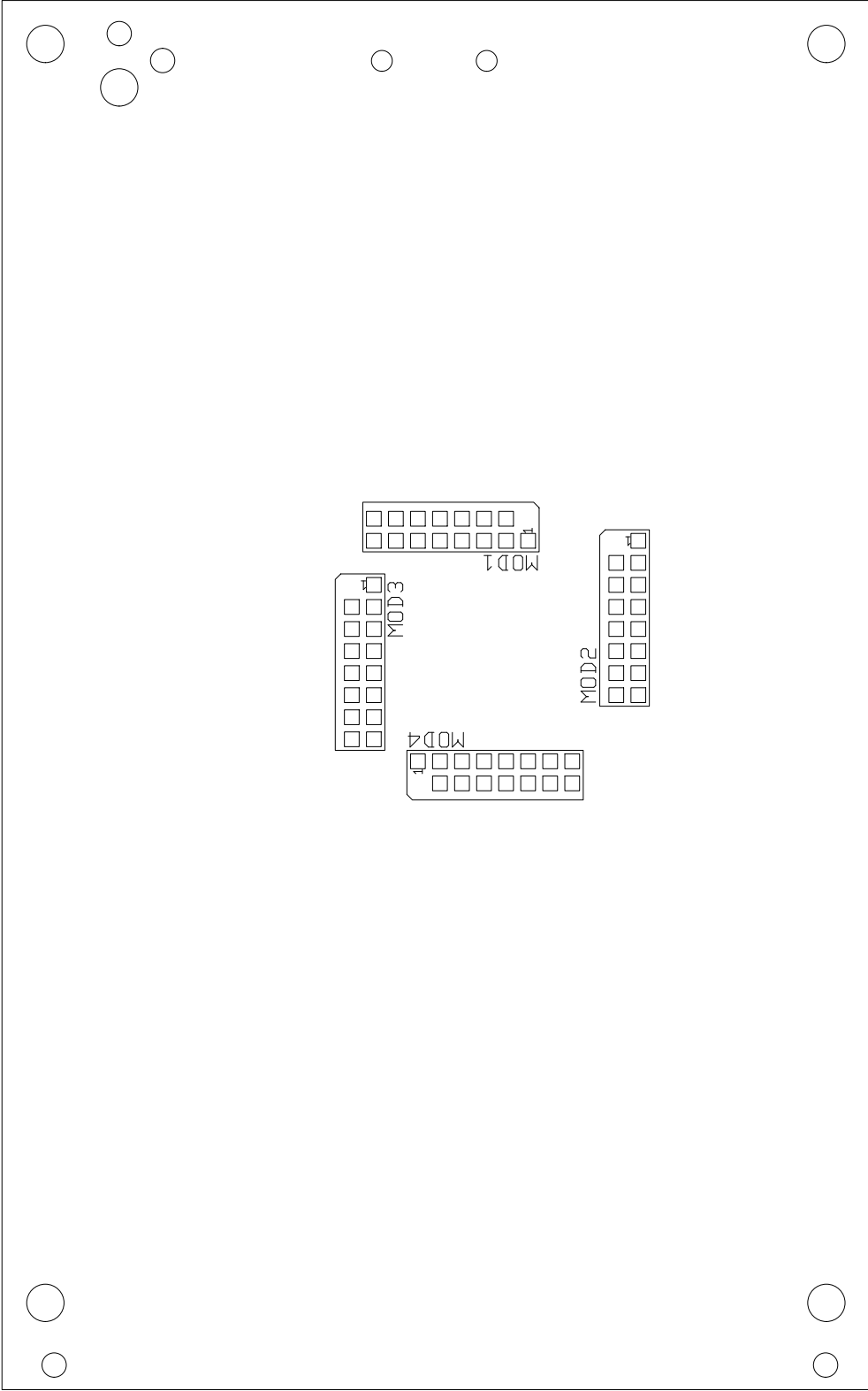




mega128app_v2 1s







mega128app_v2 b1

mega128app_v2.nc

+	Ø. 4mm
1	Ø. 7mm
±	Ø. 8mm
X	Ø. 9mm
⊙	1. 0mm
○	1. 2mm
⊗	1. 3mm
+	2. 5mm
⊙	2. 9mm
±	3. 1mm

