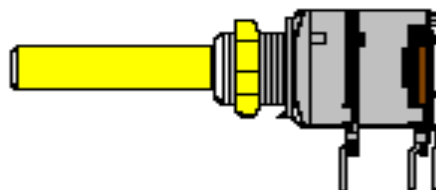




Entsprechend ROHS (EG2002/95/EC)



Ausführung TANDEM /multi turn

Typ 63256-026XX

Welle/shaft 6 mm L=30 mm

Buchse/bushing M10x0,75

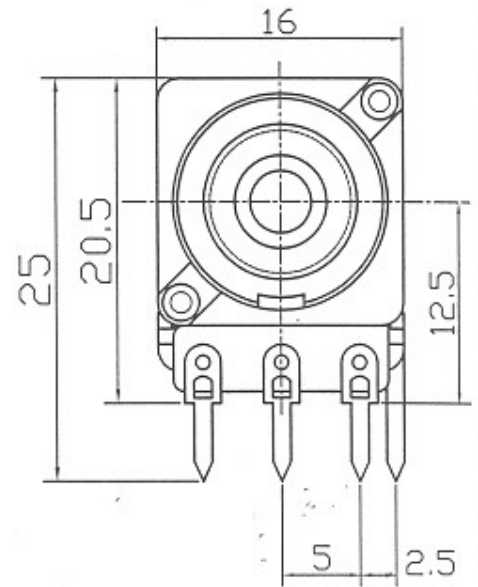
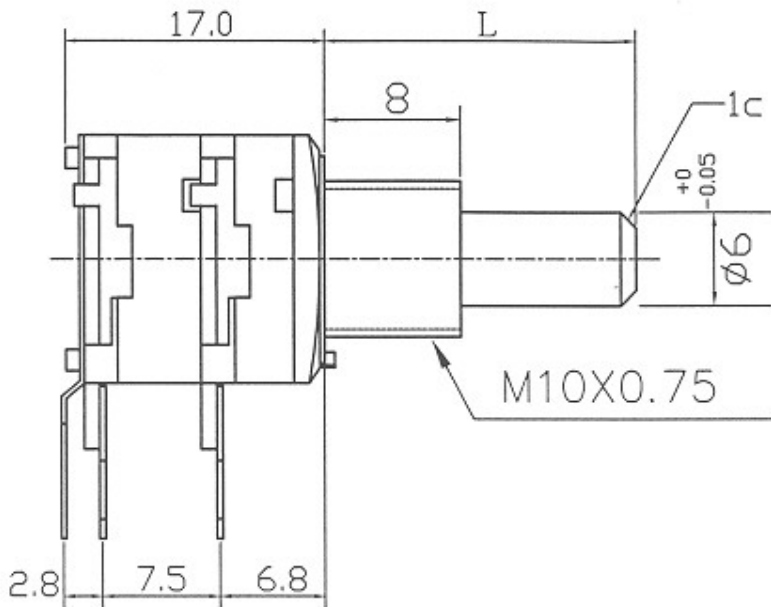
Printausführung/for printed circuit

Drehbereich/Rotation angle 270° +-5%

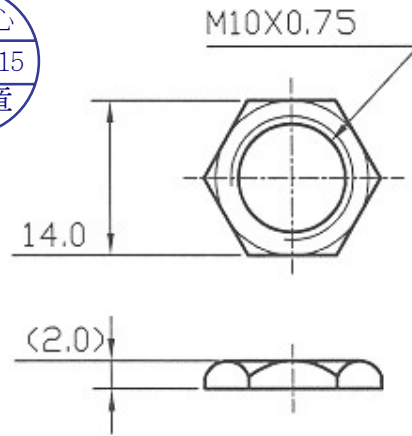
ALPHASTAT 16 63256-026XX

	Standard 63256-02600/—			Mittenrast/center click 63256-02610/—			Rast 11/11 clicks 63256-02620/—			Rast 41/41 clicks 63256-02640/—		
	lin	poslog	neglog	lin	poslog	neglog	lin	poslog	neglog	lin	poslog	neglog
1 k	4162*	4175*	4190	4202	4215	4230	4242	4255	4270	4282	4295	4310
2,5 k	4163*	4176*		4203	4216		4243	4256		4283	4296	
5 k	4164*	4177*	4192	4204	4217	4232	4244	4257	4272	4284	4297	4312
10 k	4165*	4178*	4193	4205	4218	4233	4245	4258	4273	4285	4298	4313
25 k	4166*	4179*		4206	4219		4246	4259		4286	4299	
50 k	4167*	4180*	4195	4207	4220	4235	4247	4260	4275	4287	4300	4315
100 k	4168*	4181*	4196	4208	4221	4236	4248	4261	4276	4288	4301	4316
250 k	4169*	4182*		4209	4222		4249	4262		4289	4302	
500 k	4170*	4183*		4210	4223		4250	4263		4290	4303	
1 M	4171*	4184*		4211	4224		4251	4264		4291	4304	

* lagermassige Ausführungen

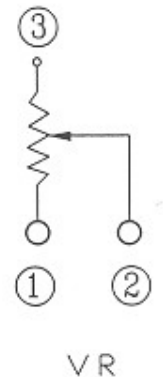
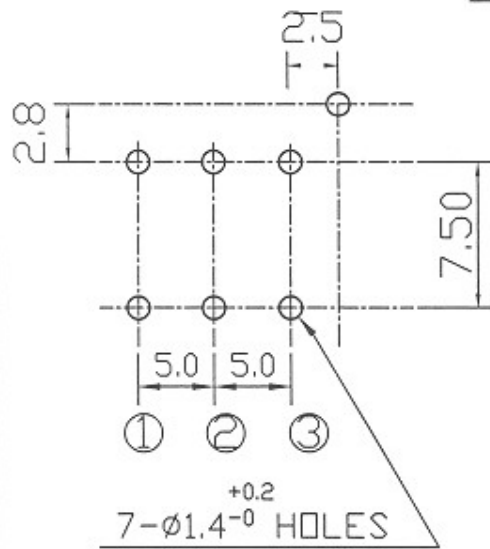


文管中心
2006.06.15
發行章



NUT 1PC

WASHER 1PC



RD1602F-20F4-R- -6 2

No.	DATE	DESCRIPTION	PART No.	NAME
TOL.UNLESS OTHERWISE STATED		DIMENSION	SCALE	DRAWN BY
less than	10	±0.3		
above	10~30	±0.5	mm	
above	30~100	±1.0		
above		±5'		
			CHECKED BY	APPROVED BY
				DRAWING No.