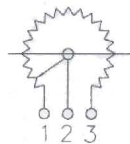
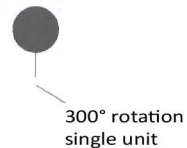
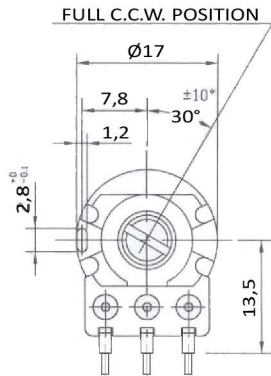
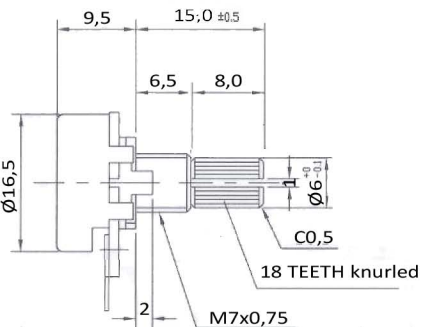
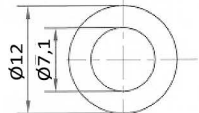
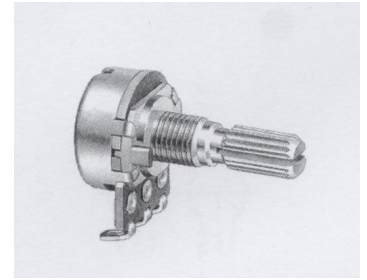


WASHER 1 PC t=0,4





Entsprechend ROHS (EG2002/95/EC)



Ausführung MONO/single turn

Typ RV16A-10

Welle/shaft 6 mm L=15 mm oder 6,35 mm L=15 mm Rundwelle

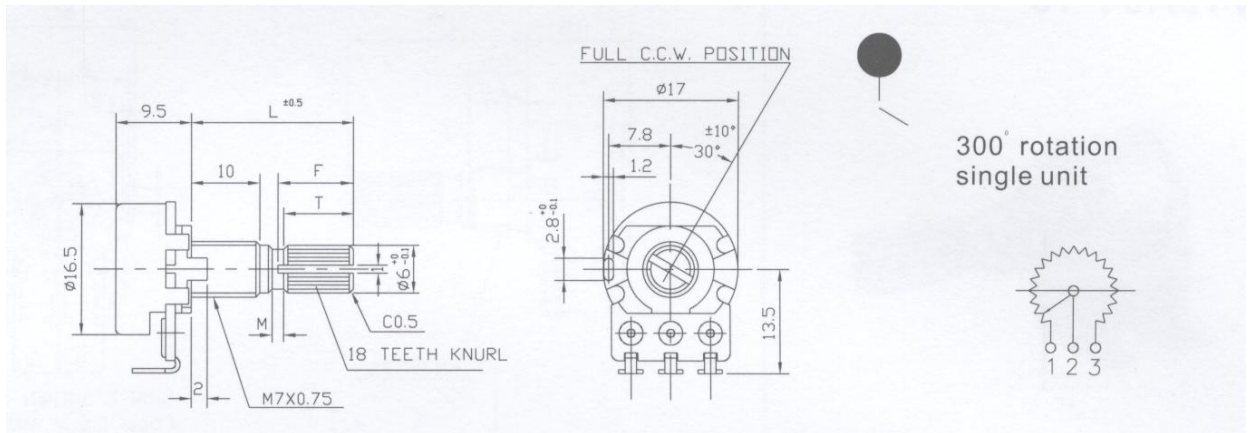
Buchse/bushing M7x0,75

Lötanschluss/solder terminals

Drehbereich/Rotation angle 300° +5%

Belastbarkeit/rated wattage lin 0,2W/log 0,1 W

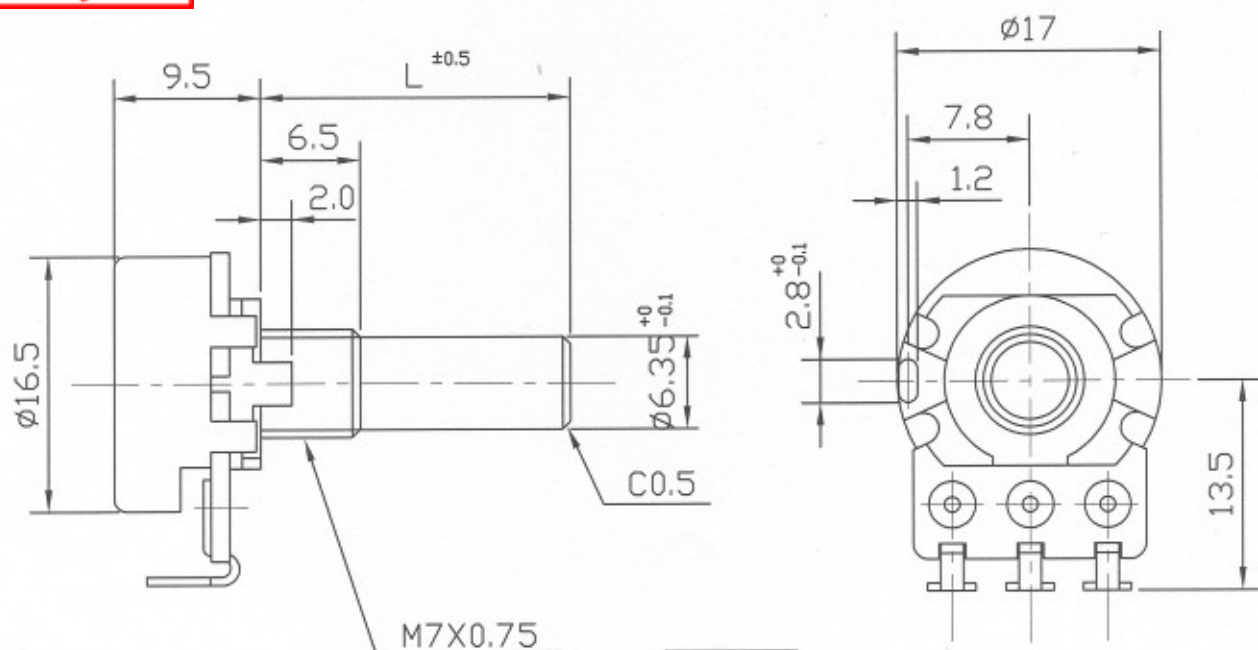
ALPHA POT 16



RV16A-10 6,0 mm Drahtanschluss			RV16A-10 6,35 mm Drahtanschluss			RV16A-20 6,0 mm Printanschluss			RV16A-20 18 Zähne Printanschluss		
lin	poslog	neglog	lin	poslog	neglog	lin	poslog	neglog	lin	pos- log	neglog
1 k	9202*	9215*	9302*	9315*		9402*			9502		
2,5 k	9203*	9216*	9303*	9316*		9403			9503		
5 k	9204*	9217*	9304*	9317*		9404*			9504		
10 k	9205*	9218*	9305*	9318*		9405*			9505		
25 k	9206*	9219*	9306*	9319*		9406			9506		
50 k	9207*	9220*	9307*	9320*		9407*			9507		
100 k	9208*	9221*	9308*	9321*		9408*			9508		
250 k	9209*	9222*	9309*	9322*		9409			9509		
500 k	9210*	9223*	9310*	9323*		9410			9510		
1 M	9211*	9224*	9311*	9324*		9411			9511		

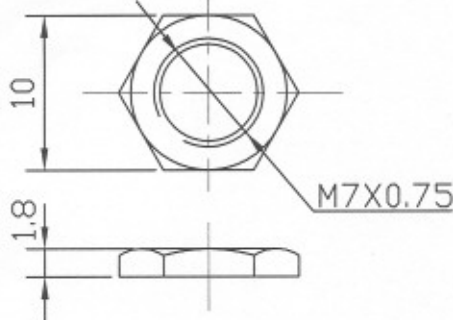
* lagermässige Ausführungen

参考用

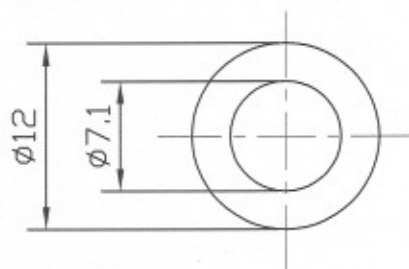


	L
	15
	20
	25

NUT 1 PC



WASHER 1 PC t=0.4



RV16AF-10-(L)R1-XXX-(0C)

No.	DATE	DESCRIPTION	PART No.	NAME			
TOL. UNLESS OTHERWISE STATED		DIMENSION	SCALE	DRAWN BY	CHECKED BY	APPROVED BY	DRAWING No.
less than	10	±0.3	2 1				
above	10~30	±0.5					
above	30~100	±1.0					
above		±5'					