

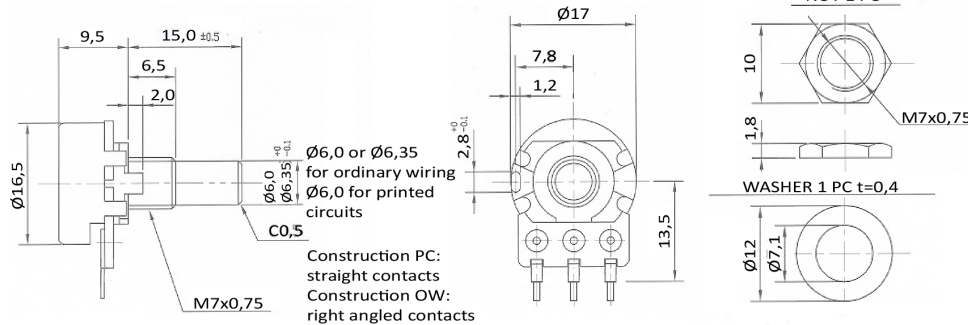
## ALPHA POT 16 RV16A-10

Ausführung / construction: Mono / single turn  
 Welle / shaft:  $\varnothing$  6 mm, L = 15 mm oder / or  
 $\varnothing$  6,35 mm, L = 15 mm Rundwelle  
 Buchse / bushing: M7 x 0,75  
 Drehbereich / rotation angle:  $300^\circ \pm 5\%$   
 Belastbarkeit / rated wattage: lin. 0,2 W / log 0,05 W

Kontakte: SPCC, kalt gewalzter Stahl, vernickelt / Cold rolled steel sheets, nickel plated

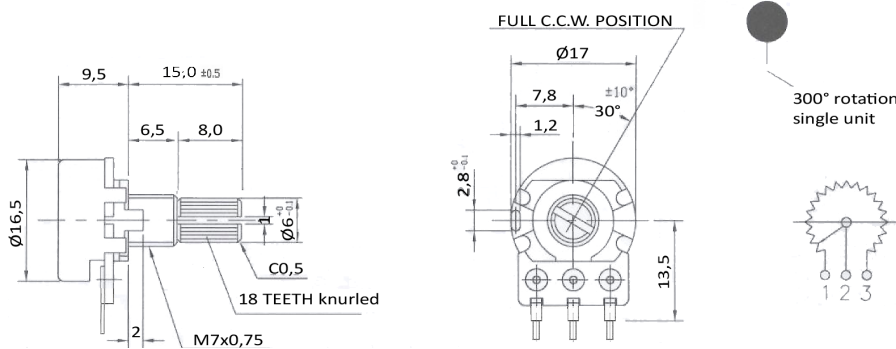
Gültig für:  
Valid for:

9202-9224  
9302-9324  
9402-9424



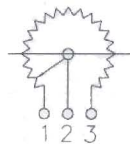
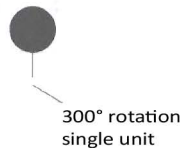
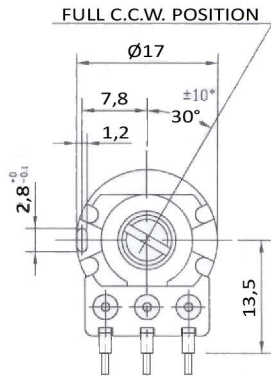
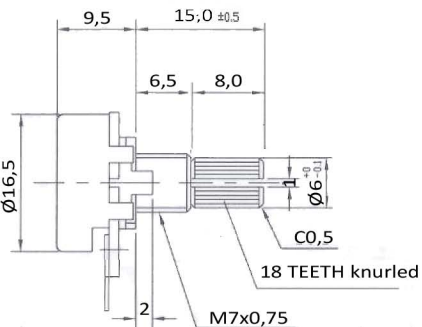
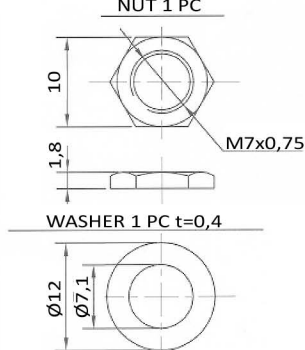
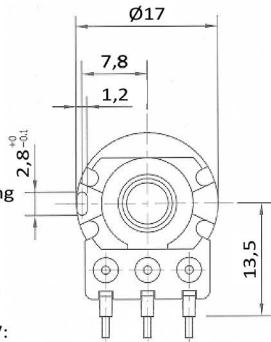
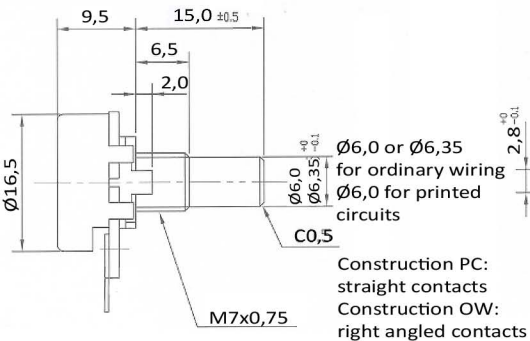
Gültig für:  
Valid for:

9502-9524



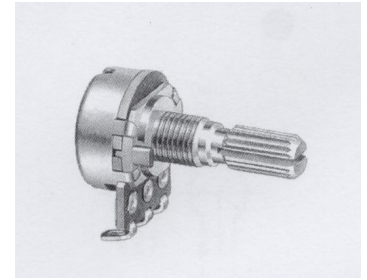
|              | RV16A-10 6,0 mm Welle<br>Drahtanschluss (OW) |        |        | RV16A-10 6,35 mm Welle<br>Drahtanschluss (OW) |        |        | RV16A-20 6,0 mm Welle<br>Printanschluss (PC) |        |        | RV16A-20 18 Zähne<br>Printanschluss (PC) |        |        |
|--------------|--|--------|--------|---|--------|--------|--|--------|--------|--|--------|--------|
|              | lin.   | poslog | neglog | lin.  | poslog | neglog | lin.   | poslog | neglog | lin.                                     | poslog | neglog |
| <b>1 k</b>   | 9202*  |        |        | 9302*   |        |        | 9402*  |        |        | 9502*                                    |        |        |
| <b>2 k</b>   |  | 9215*  |        |   | 9315*  |        |  | 9415   |        |  | 9515   |        |
| <b>2,5 k</b> | 9203*  | 9216*  |        | 9303*   | 9316*  |        | 9403*  | 9416   |        | 9503*                                    | 9516   |        |
| <b>5 k</b>   | 9204*  | 9217*  |        | 9304*   | 9317*  |        | 9404*  | 9417   |        | 9504*                                    | 9517   |        |
| <b>10 k</b>  | 9205*  | 9218*  |        | 9305*   | 9318*  |        | 9405*  | 9418   |        | 9505*                                    | 9518   |        |
| <b>25 k</b>  | 9206*  | 9219*  |        | 9306*   | 9319*  |        | 9406*  | 9419   |        | 9506*                                    | 9519   |        |
| <b>50 k</b>  | 9207*  | 9220*  |        | 9307*   | 9320*  |        | 9407*  | 9420   |        | 9507*                                    | 9520   |        |
| <b>100 k</b> | 9208*  | 9221*  |        | 9308*   | 9321*  |        | 9408*  | 9421   |        | 9508*                                    | 9521   |        |
| <b>250 k</b> | 9209*  | 9222*  |        | 9309*   | 9322*  |        | 9409   | 9422   |        | 9509                                     | 9522   |        |
| <b>500 k</b> | 9210*  | 9223*  |        | 9310*   | 9323*  |        | 9410   | 9423   |        | 9510                                     | 9523   |        |
| <b>1 M</b>   | 9211*  | 9224*  |        | 9311*   | 9324*  |        | 9411   | 9424   |        | 9511                                     | 9524   |        |

\* lagermäßige Ausführungen (unverbindlich) \\ \* in stock (non-binding)





Entsprechend ROHS ( EG2002/95/EC)



Ausführung MONO/single turn

Typ RV16A-10

Welle/shaft 6 mm L=15 mm oder 6,35 mm L=15 mm Rundwelle

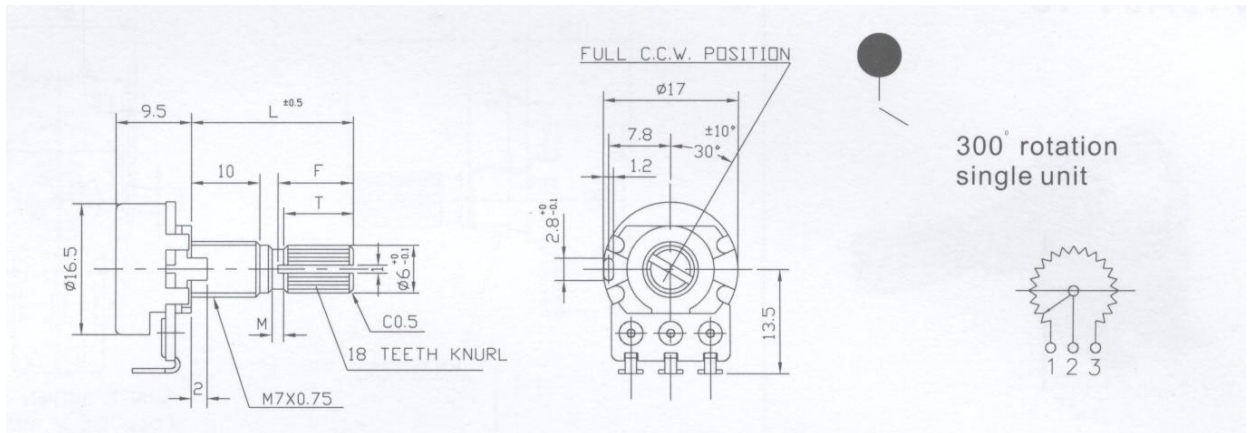
Buchse/bushing M7x0,75

Lötanschluss/solder terminals

Drehbereich/Rotation angle 300° +5%

Belastbarkeit/rated wattage lin 0,2W/log 0,1 W

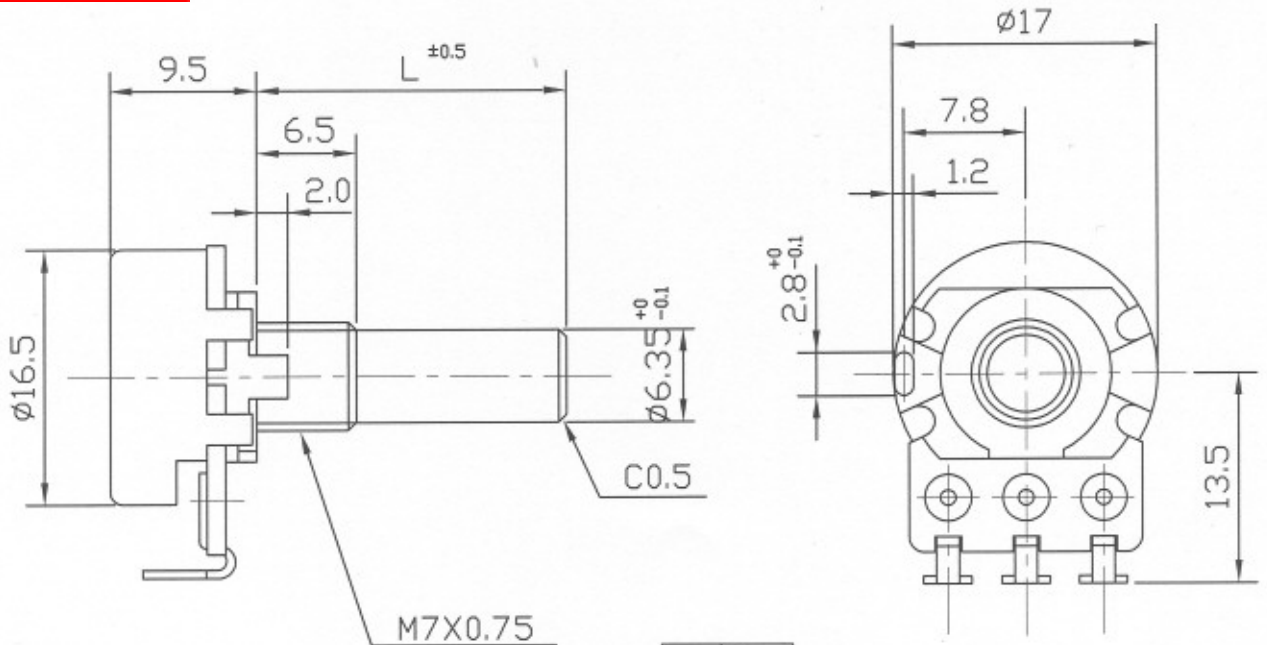
## ALPHA POT 16



| RV16A-10 6,0 mm<br>Drahtanschluss |        |        | RV16A-10 6,35 mm<br>Drahtanschluss |        |        | RV16A-20 6,0 mm<br>Printanschluss |        |        | RV16A-20 18 Zähne<br>Printanschluss |             |        |
|-----------------------------------|--------|--------|------------------------------------|--------|--------|-----------------------------------|--------|--------|-------------------------------------|-------------|--------|
| lin                               | poslog | neglog | lin                                | poslog | neglog | lin                               | poslog | neglog | lin                                 | pos-<br>log | neglog |
| <b>1 k</b>                        | 9202*  | 9215*  | 9302*                              | 9315*  |        | 9402*                             |        |        | 9502                                |             |        |
| <b>2,5 k</b>                      | 9203*  | 9216*  | 9303*                              | 9316*  |        | 9403                              |        |        | 9503                                |             |        |
| <b>5 k</b>                        | 9204*  | 9217*  | 9304*                              | 9317*  |        | 9404*                             |        |        | 9504                                |             |        |
| <b>10 k</b>                       | 9205*  | 9218*  | 9305*                              | 9318*  |        | 9405*                             |        |        | 9505                                |             |        |
| <b>25 k</b>                       | 9206*  | 9219*  | 9306*                              | 9319*  |        | 9406                              |        |        | 9506                                |             |        |
| <b>50 k</b>                       | 9207*  | 9220*  | 9307*                              | 9320*  |        | 9407*                             |        |        | 9507                                |             |        |
| <b>100 k</b>                      | 9208*  | 9221*  | 9308*                              | 9321*  |        | 9408*                             |        |        | 9508                                |             |        |
| <b>250 k</b>                      | 9209*  | 9222*  | 9309*                              | 9322*  |        | 9409                              |        |        | 9509                                |             |        |
| <b>500 k</b>                      | 9210*  | 9223*  | 9310*                              | 9323*  |        | 9410                              |        |        | 9510                                |             |        |
| <b>1 M</b>                        | 9211*  | 9224*  | 9311*                              | 9324*  |        | 9411                              |        |        | 9511                                |             |        |

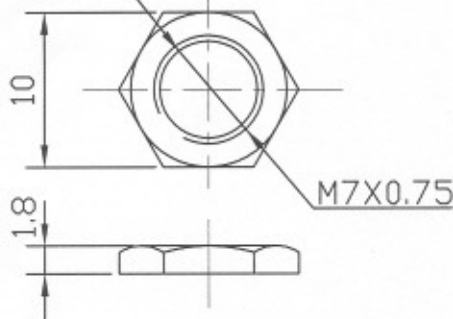
\* lagermässige Ausführungen

参考用

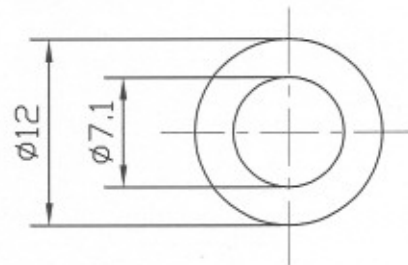


|  |    |
|--|----|
|  | L  |
|  | 15 |
|  | 20 |
|  | 25 |

NUT 1 PC



WASHER 1 PC t=0.4



RV16AF-10-(L)R1-XXX-(0C)

| No.                         | DATE   | DESCRIPTION | PART No. | NAME     |            |             |             |
|-----------------------------|--------|-------------|----------|----------|------------|-------------|-------------|
| TOL.UNLESS OTHERWISE STATED |        | DIMENSION   | SCALE    | DRAWN BY | CHECKED BY | APPROVED BY | DRAWING No. |
| less than                   | 10     | ±0.3        | 2 1      |          |            |             |             |
| above                       | 10~30  | ±0.5        |          |          |            |             |             |
| above                       | 30~100 | ±1.0        |          |          |            |             |             |
| above                       |        | ±5'         |          |          |            |             |             |