

Elma TT

Logistik GmbH

Raiffeisenstrasse 4
89415 Lauingen
Telefon: 09072/ 991956
Telefax: 09072/ 991963
e-mail: elmatt@ t-online.de

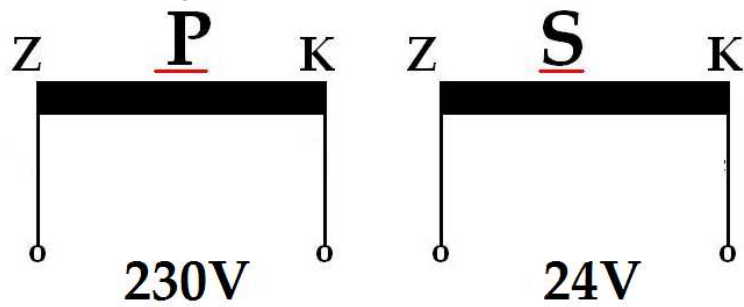
Constructional data for isolating transformers and safety transformers:

- 1.1 Applicant : ELMA TT d.d. Ljubljana
1.2 Place of manufacture : Cesta 24. junija 23, SLO 1213 Ljubljana – Črnuče
1.3 Reference of type : Conrad Art. Nr. 514331
1.4 Trade mark : CONRAD
1.5 Other markings : IZ 1222
1.6 Europe standard : EN 61558 - 2 - 6
- 2.1 Protection against electric shock : Non short.circuit proof
2.2 Class of protection to IEC 529 : IP 00
2.3 Type of construction (Isolating transformer, Transformer for toys) : Safety-isolating transformer
2.4 Stationary Transformer : Stationary, to built-in transformer
Portable Transformer :
2.5 Protection against short-circuit according to Sub-clause
inherently short-circuit proof :
non-inherently short-circuit proof :
non short-circuit proof : Non short-circuit proof
fail safe
(rated current of the cutout)
2.6 Rated maximum ambient temperature : t_a 40 °C
2.7 Class : B Insulation : IEC 60 085 and IEC 60 216

3. Electrical values

		prim :	sec:
3.1 Rated voltage(s)	V :	230	24
3.2 Rated frequency	Hz :	50	
3.3 Rated current	A :	0,518	4,17
3.4 Rated output	VA :		100
3.5 No load voltage(s)	V :		26,1
3.6 P_o	W :		
3.7 I_o	A :		

4. Windings



5. Iron core

5.1 Sheet metall, material : EI 84 V 530 – 50

main dimensions : 84x70x40

5.2 Cross-sectional drawing : See specification of insulation materials

6. Type of construction

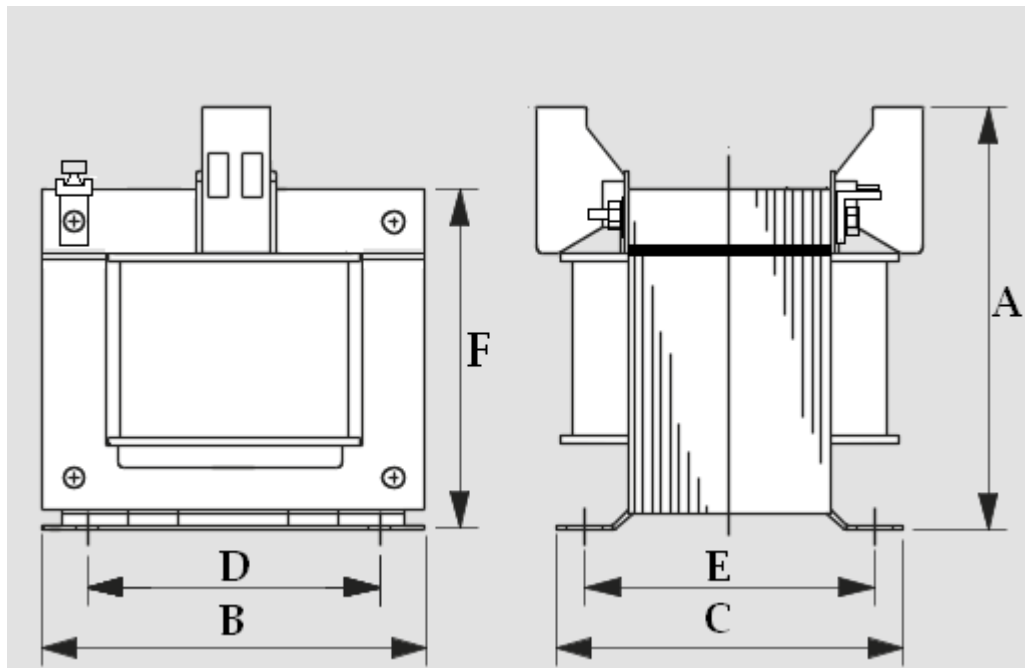
6.1 Open – Covered – In case protection : Open

6.2 Impregnated – Undrowned – Drowned : Impregnated

6.3 Soaking (liquor) :

6.4 Underpressure – Overpressure – Soaking at : Soaking

6.5 Drown material : 1K – Traenkharz E8561 Blaugrau Herberts



A(mm)	B(mm)	C(mm)	D(mm)	E(mm)	F(mm)	Weight (kg)
91	84	76	64	63,5	74,5	2,0