

Elma TT

Logistik GmbH

Constructional data for isolating transformers and safety transformers:

1.3 Reference of type : PV/0-22608
1.4 Trade mark : CONRAD
1.5 Other markings : IZ 1228 - Conrad Art. Nr. 514382
1.6 Europe standard : EN 61558 - 2 - 6

2.1 Protection against electric shock : Non short.circuit proof
2.2 Class of protection to IEC 529 : IP 00
2.3 Type of construction (Isolating transformer, Transformer for toys) : Safety-isolating transformer
2.4 Stationary Transformer : Stationary, to built-in transformer
Portable Transformer :
2.5 Protection against short-circuit according to Sub-clause inherently short-circuit proof :
non-inherently short-circuit proof :
non short-circuit proof : Non short-circuit proof
fail safe
(rated current of the cutout)
2.6 Rated maximum ambient temperature : t_a 40 °C
2.7 Class : B Insulation : IEC 60 085 and IEC 60 216

3. Electrical values

		prim :	sec:
3.1 Rated voltage(s)	V :	230	24
3.2 Rated frequency	Hz :	50	
3.3 Rated current	A :	2,4	20,8
3.4 Rated output	VA :		500

4. Windings

4.1 Coil base, number : 1
material : Duretan AKV 30 H – PA 6.6
4.2 Material of layer insulation : Film poliestere 0.13 , classe B-130 - Teflex
4.3 Windings, number : 279 31
material : Enoflex G1 – S180 Meditherm G2 - 200
4.4 Diameter of wire (mm) : 0,9 2,8
4.5 Windings insulation, material : polyurethane polyamide polyamide-imide

5. Iron core

5.1 Sheet metall, material : EI 120 M400 – 50
main dimensions : 120x100x73
5.2 Cross-sectional drawing : See specification of insulation materials

6. Type of construction

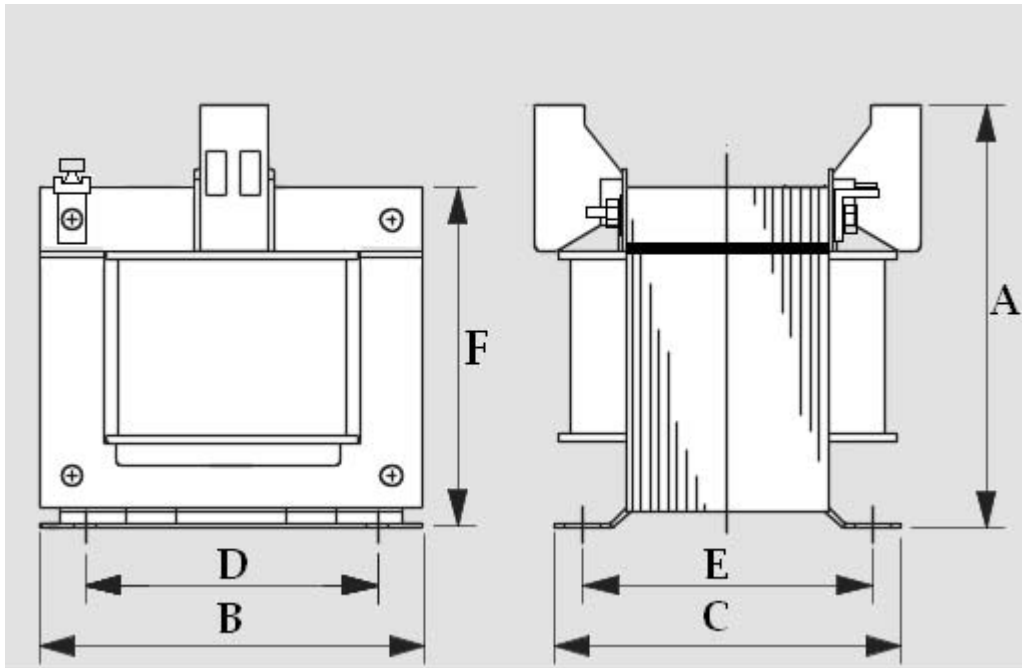
6.1 Open – Covered – In case protection : Open

6.2 Impregnated – Undrowned – Drowned : Impregnated

6.3 Soaking (liquor) :

6.4 Underpressure – Overpressure – Soaking at : Soaking

6.5 Drown material : 1K – Traenkharz E8561 Blaugrau Herberts



A(mm)	B(mm)	C(mm)	D(mm)	E(mm)	F(mm)	Weight (kg)
115	120	124	90	106	105,5	6,6

ELMA TT

12.01.2010