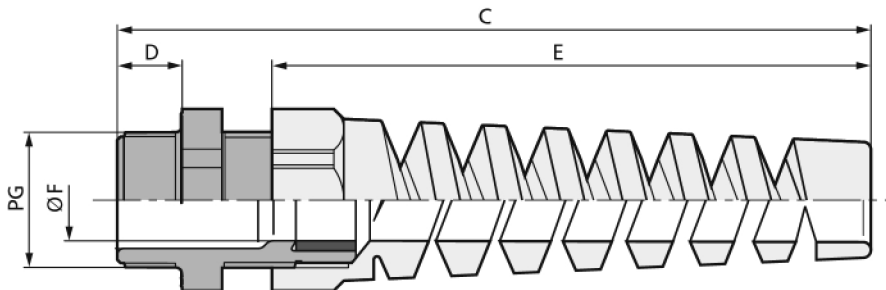
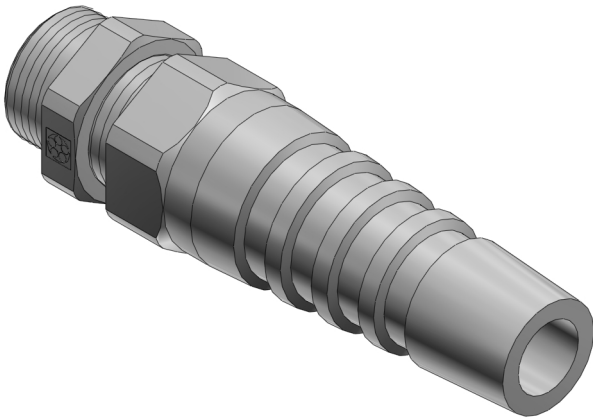


Product Description





**Technical Data**

ATN	53015610
PG	PG 9
FMIN	3.5
FMAX	8
F	3.5
SW	19
A	21.1
C	73.5
D	8
E	56
RAL7001	x
RAL9005	
MATERIAL	Kunststoff