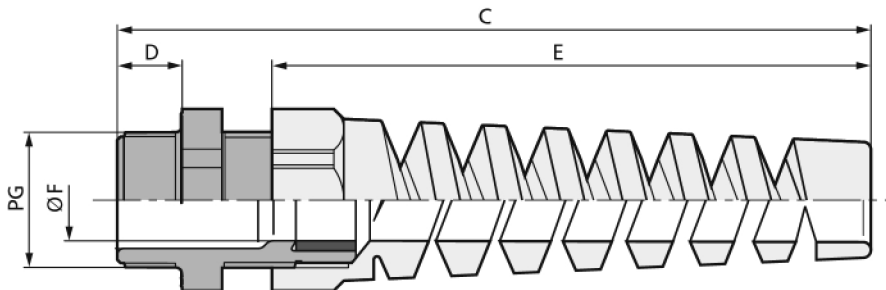
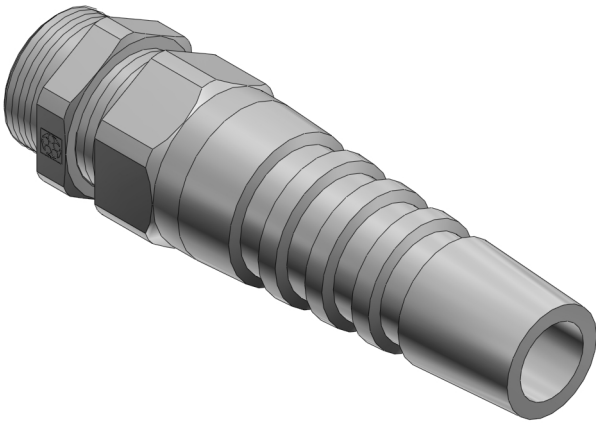


Product Description





**Technical Data**

ATN	53015620
PG	PG 11
FMIN	4
FMAX	10
F	4
SW	22
A	24.4
C	86
D	8
E	68
RAL7001	x
RAL9005	
MATERIAL	Kunststoff