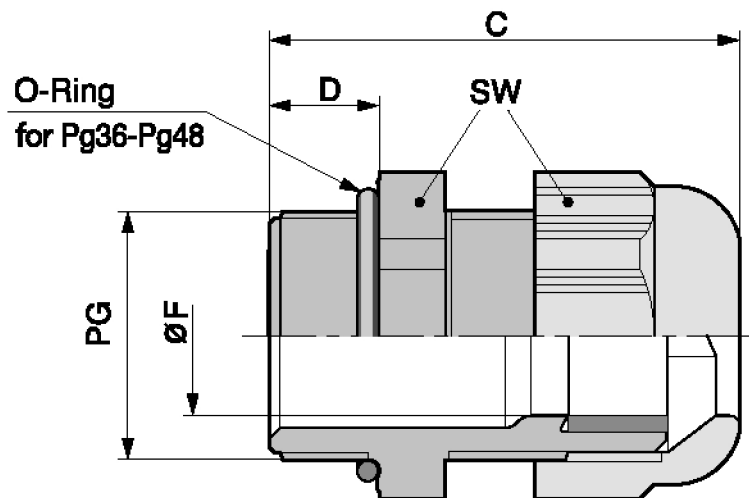
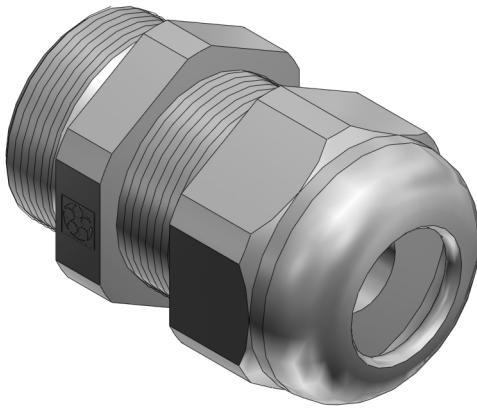


Product Description





**Technical Data**

ATN	53015040
PG	PG 16
FMIN	9
FMAX	14
F	9
SW	27
A	29.5
C	44
D	10
RAL7001	X
RAL7035	
RAL9005	
MATERIAL	Kunststoff