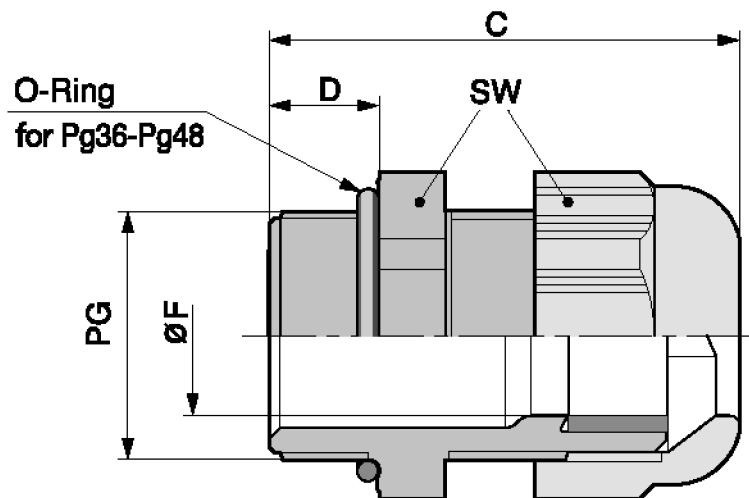
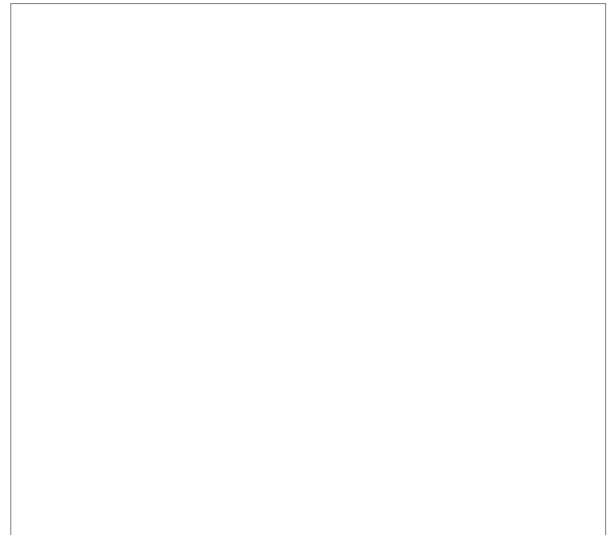
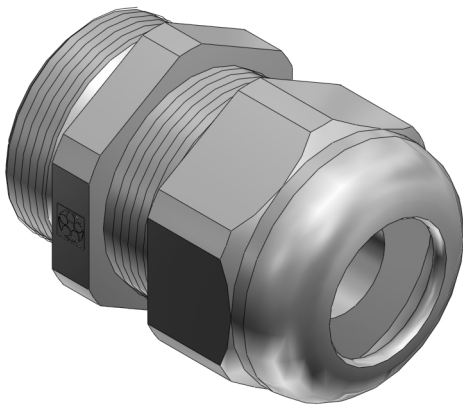


Product Description





Technical Data

ATN	53015050
PG	PG 21
FMIN	13
FMAX	18
F	13
SW	33
A	36.2
C	49
D	11
RAL7001	X
RAL7035	
RAL9005	
MATERIAL	Kunststoff