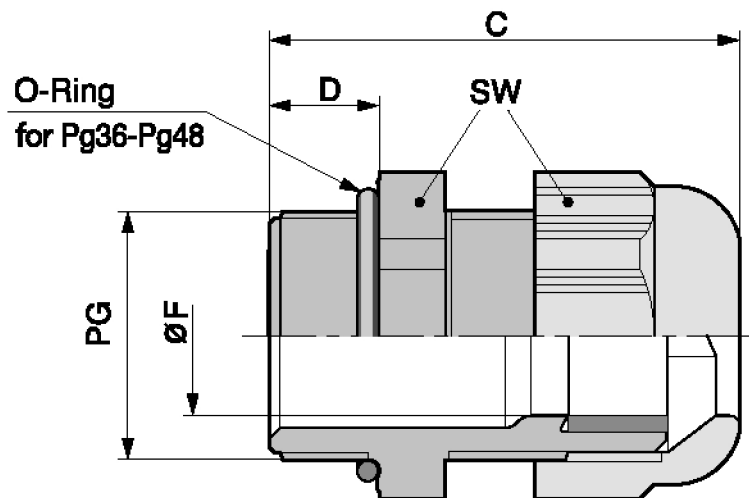
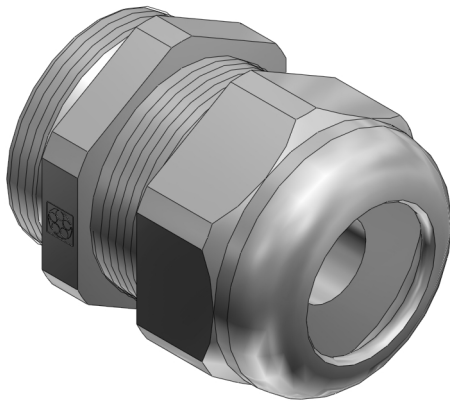


Product Description





**Technical Data**

ATN	53015060
PG	PG 29
FMIN	14
FMAX	25
F	14
SW	42
A	46.3
C	56
D	10.7
RAL7001	X
RAL7035	
RAL9005	
MATERIAL	Kunststoff