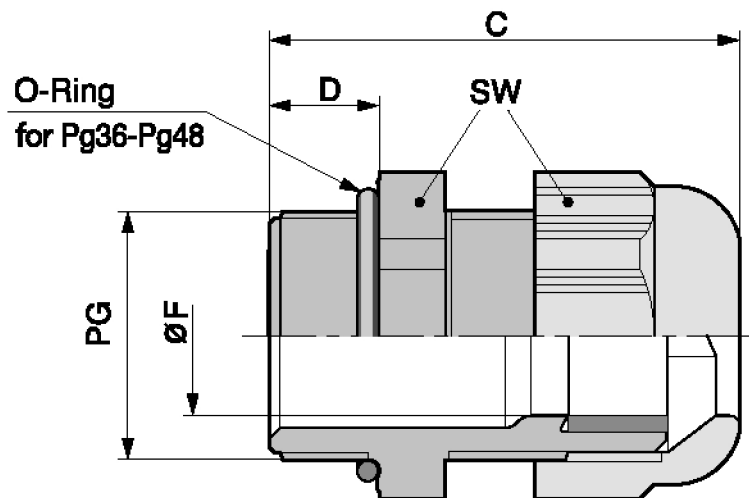
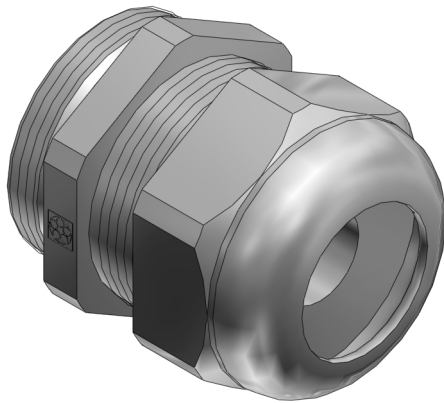


Product Description





Technical Data

ATN	53015070
PG	PG 36
FMIN	19
FMAX	32
F	19
SW	53
A	58.8
C	66
D	13.3
RAL7001	X
RAL7035	
RAL9005	
MATERIAL	Kunststoff