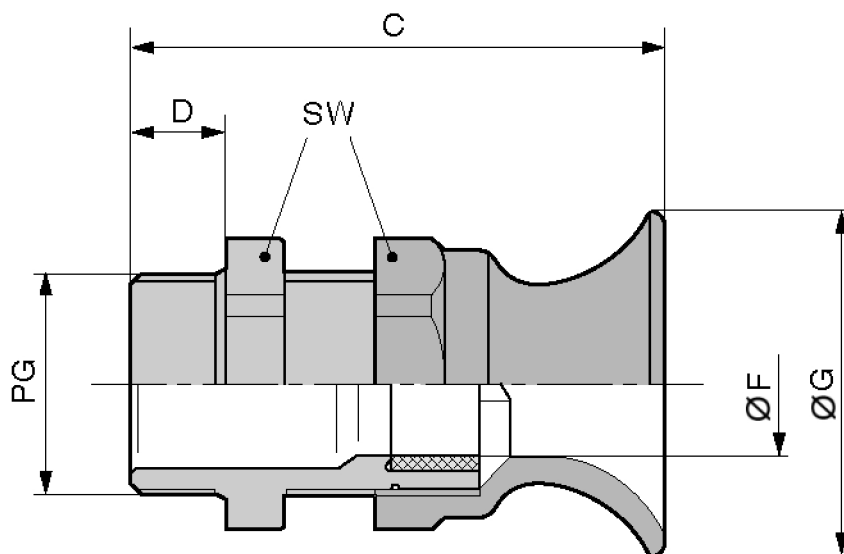
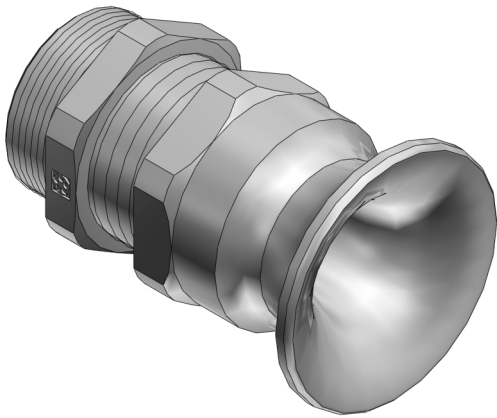


Product Description





Technical Data

ATN	53015450
PG	PG 21
FMIN	13
FMAX	18
F	13
SW	33
A	36.2
C	64.4
D	11
G	41.7
MATERIAL	Kunststoff