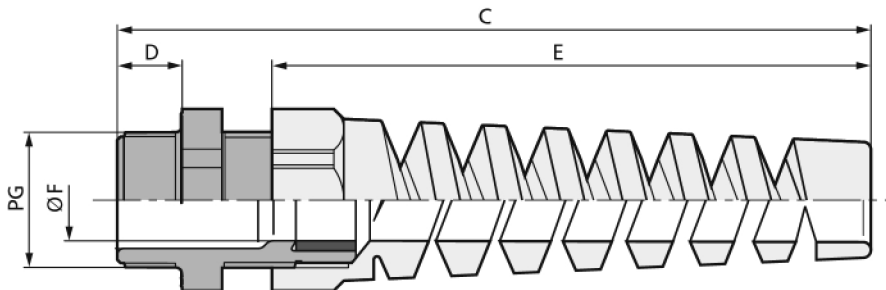
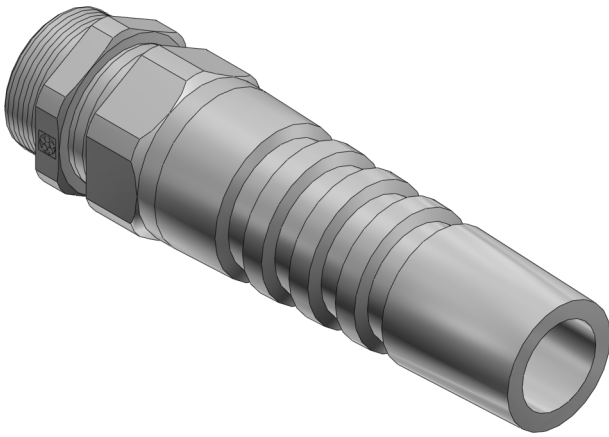


Product Description





Technical Data

ATN	53015650
PG	PG 21
FMIN	13
FMAX	18
F	13
SW	33
A	36.2
C	129
D	11
E	105
RAL7001	x
RAL9005	
MATERIAL	Kunststoff