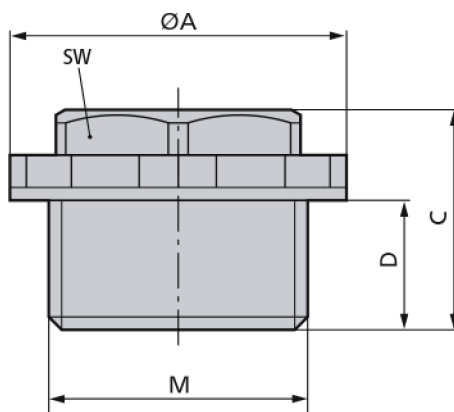
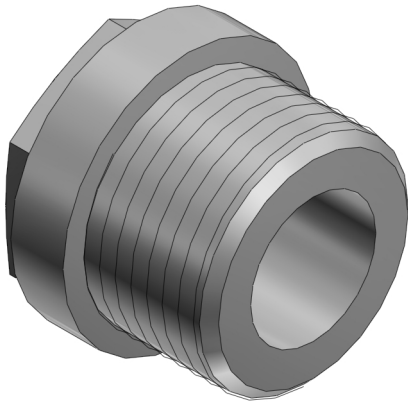


Product Description





**Technical Data**

|          |            |
|----------|------------|
| ATN      | 52020523   |
| M        | M 20x1,5   |
| SW       | 19         |
| FMIN     | 8          |
| FMAX     | 13.5       |
| F        | 0          |
| A        | 24         |
| C        | 20         |
| D        | 12         |
| MATERIAL | Kunststoff |