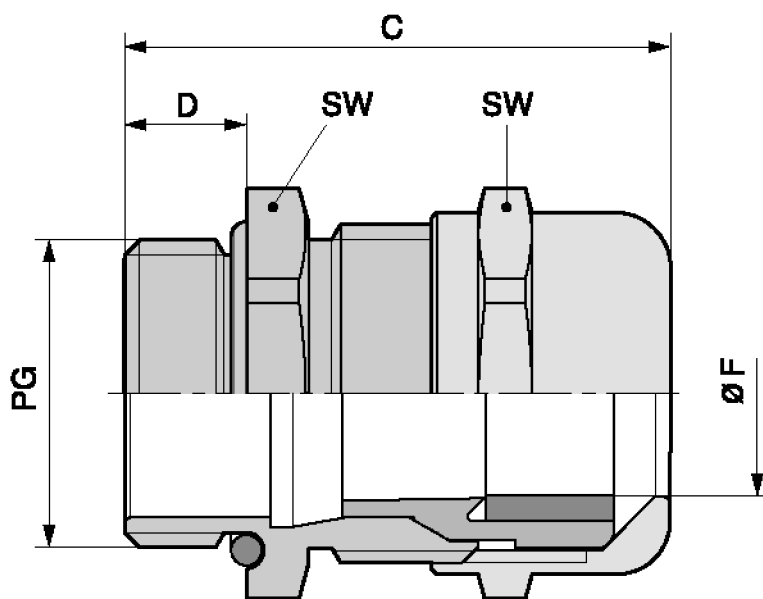
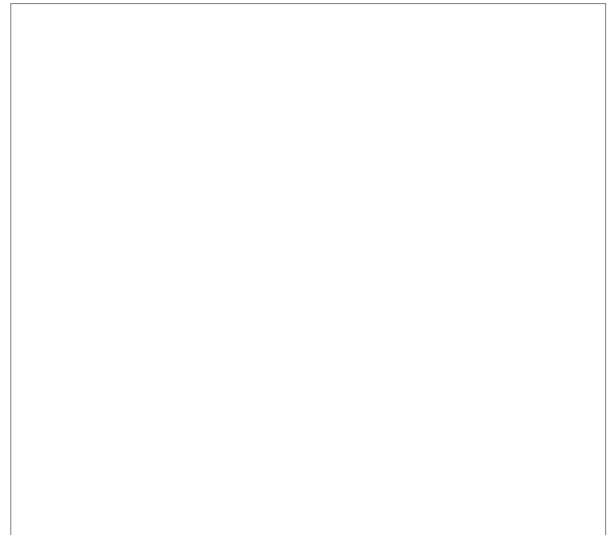
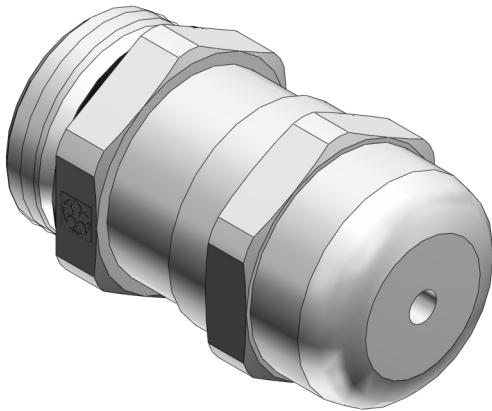


Product Description





Technical Data

ATN	52015700
PG	PG 7
ID	10
RS	1.5
FMIN	2
FMAX	6.5
F	2
SW	14
A	15.5
C	25
D	5
E	12
MATERIAL	Messing vernickelt