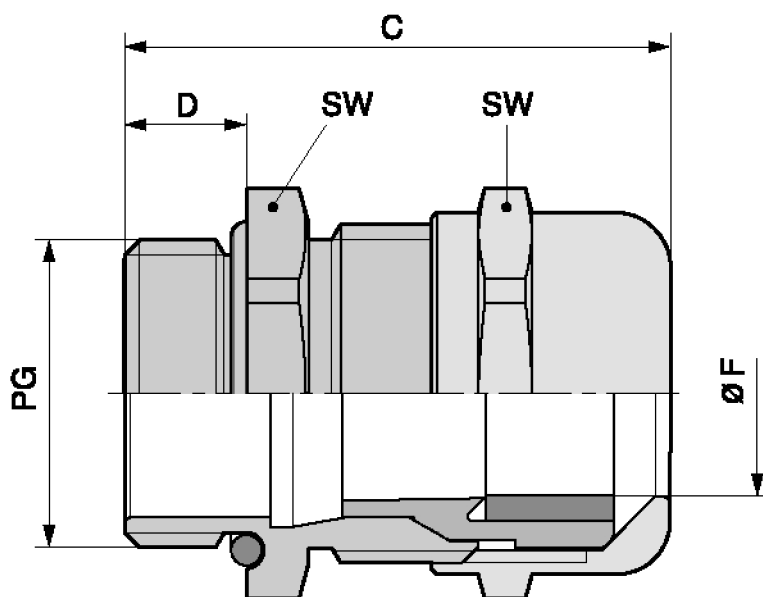
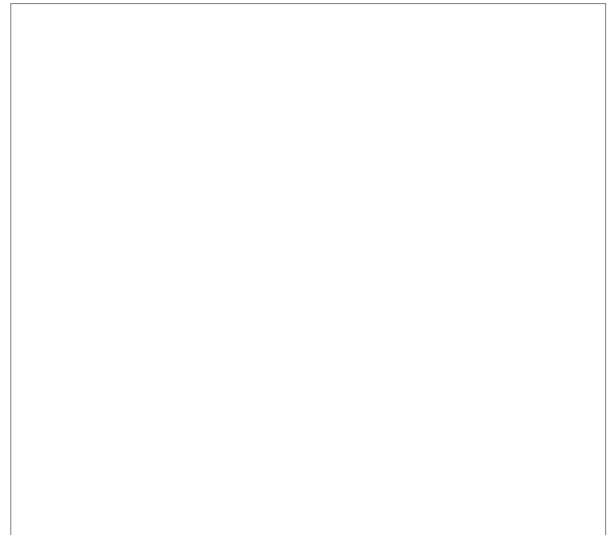
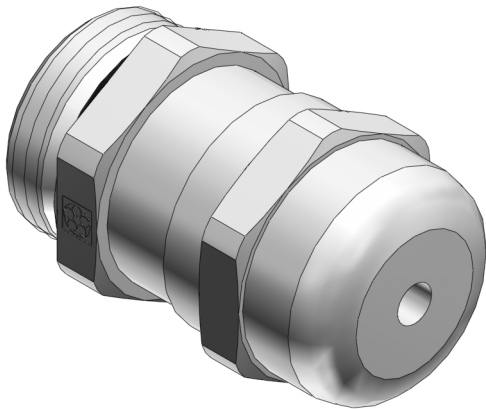


Product Description





**Technical Data**

ATN	52015710
PG	PG 9
ID	13
RS	1.5
FMIN	3
FMAX	8
F	3
SW	17
A	18.9
C	29
D	6
E	14
MATERIAL	Messing vernickelt