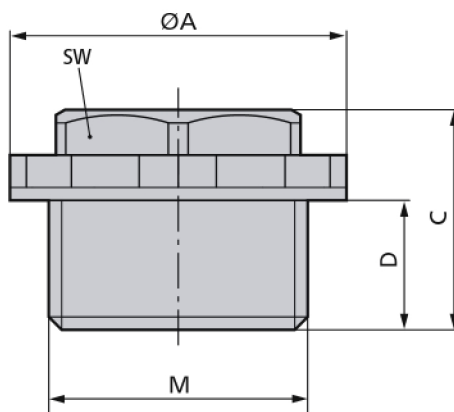
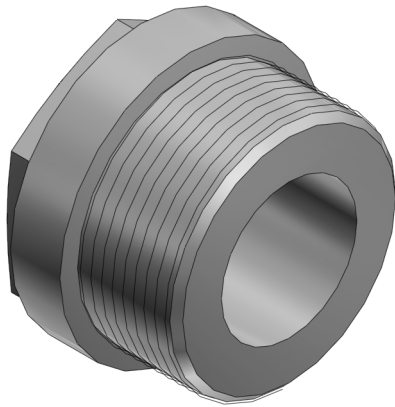


Product Description





**Technical Data**

ATN	52020543
M	M 32x1,5
SW	30
FMIN	11
FMAX	22
F	0
A	37
C	25
D	14
MATERIAL	Kunststoff