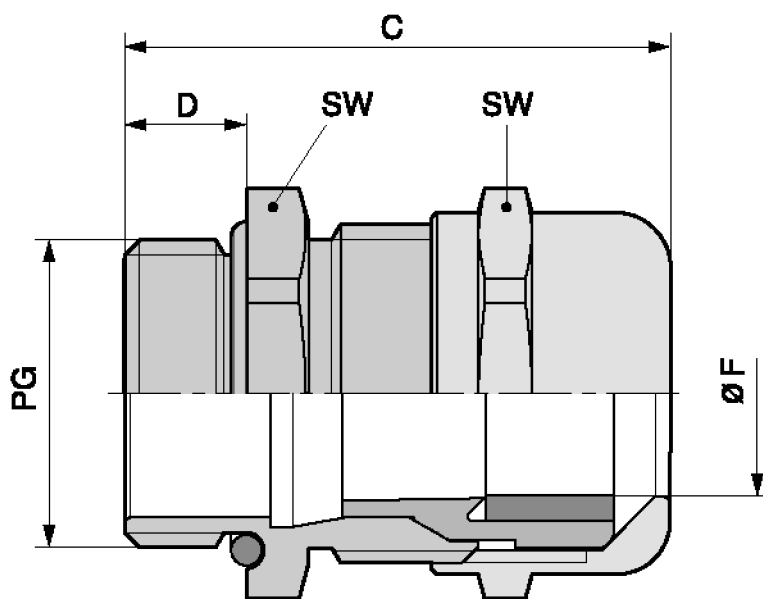
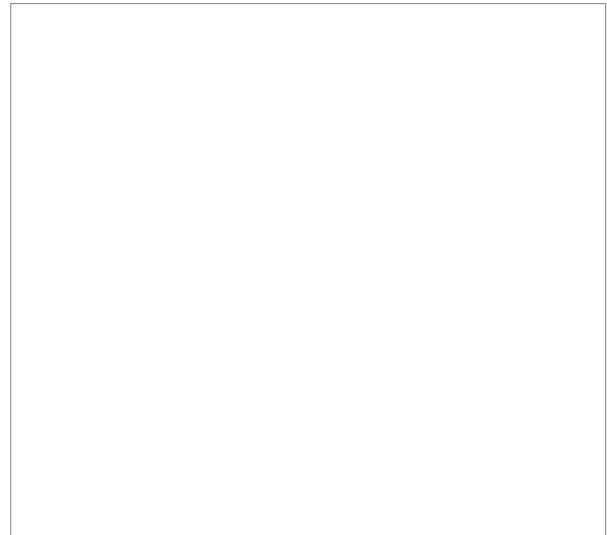
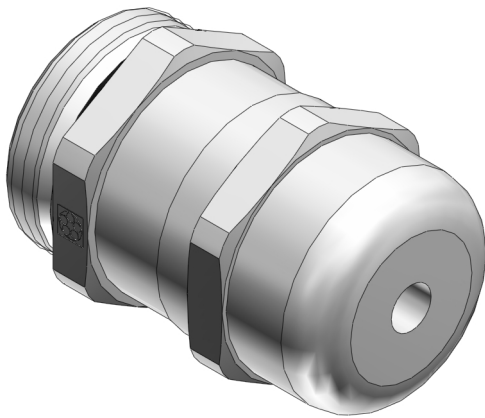


Product Description





Technical Data

ATN	52015720
PG	PG 11
ID	16
RS	1.5
FMIN	4
FMAX	10
F	4
SW	20
A	22.2
C	32
D	6
E	16
MATERIAL	Messing vernickelt