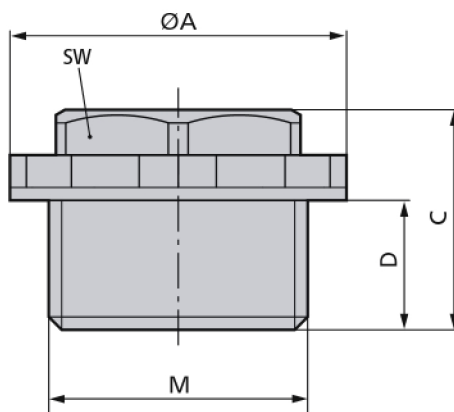
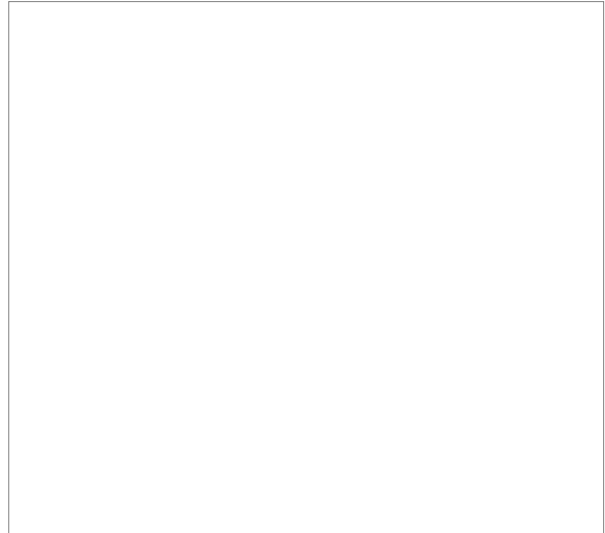
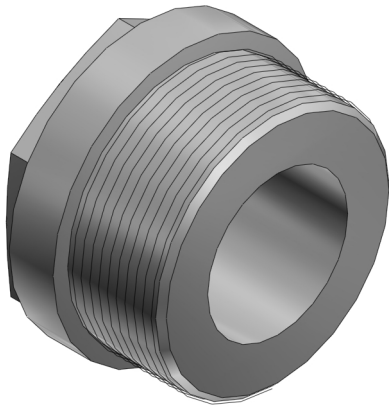


Product Description





Technical Data

ATN	52020553
M	M 40x1,5
SW	37
FMIN	17
FMAX	24
F	0
A	45
C	28
D	16
MATERIAL	Kunststoff