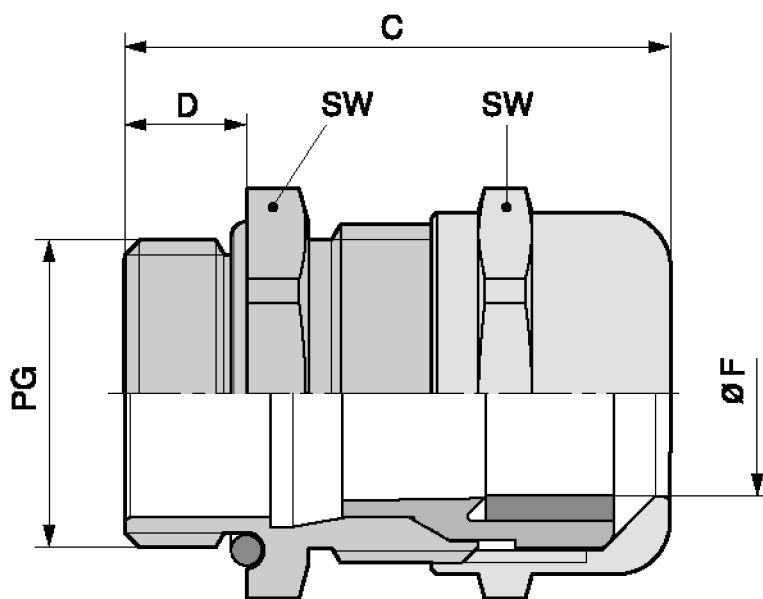
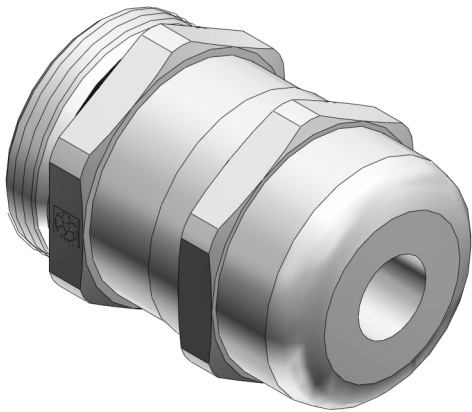


Product Description





Technical Data

ATN	52015740
PG	PG 16
ID	20
RS	1.5
FMIN	8
FMAX	14
F	8
SW	24
A	26.7
C	35
D	6.5
E	17.3
MATERIAL	Messing vernickelt