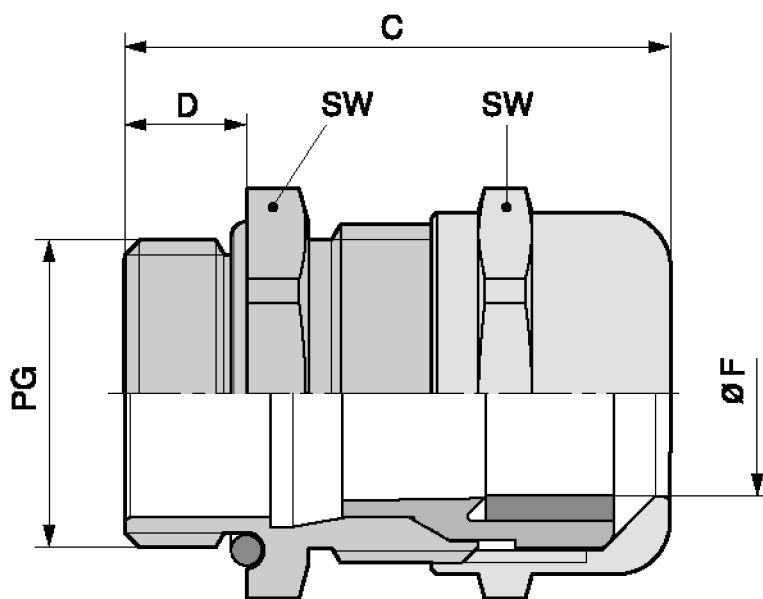
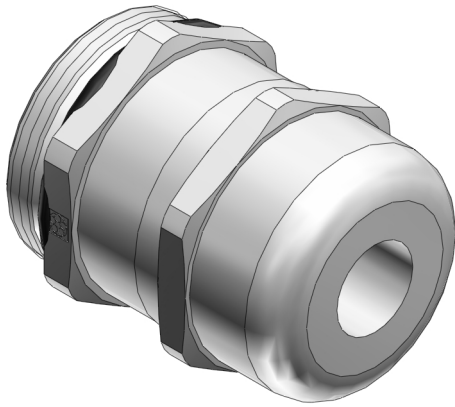


Product Description





Technical Data

ATN	52015750
PG	PG 21
ID	26
RS	2
FMIN	11
FMAX	18
F	11
SW	30
A	33.5
C	40
D	7
E	20.5
MATERIAL	Messing vernickelt