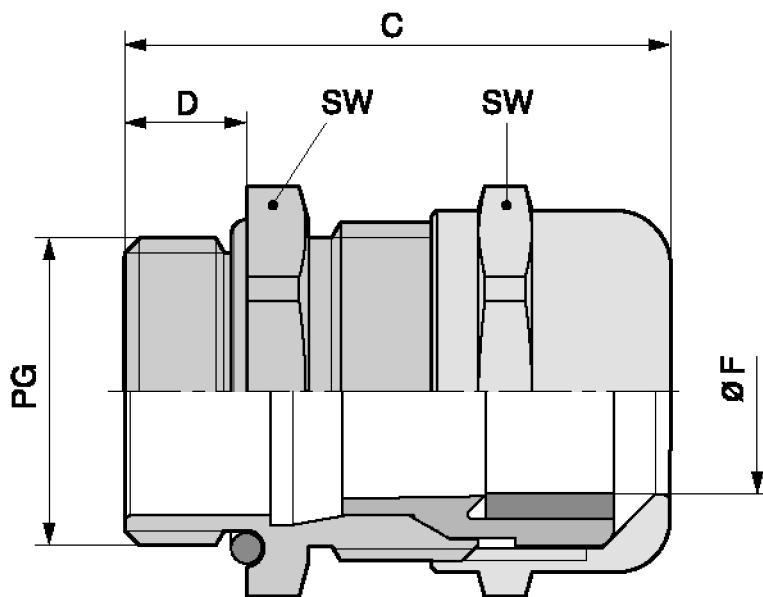
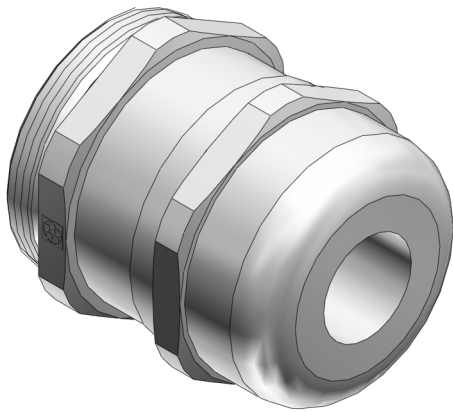


Product Description





**Technical Data**

ATN	52015760
PG	PG 29
ID	34
RS	2
FMIN	16
FMAX	25
F	16
SW	40
A	43.5
C	48
D	8
E	24.2
MATERIAL	Messing vernickelt