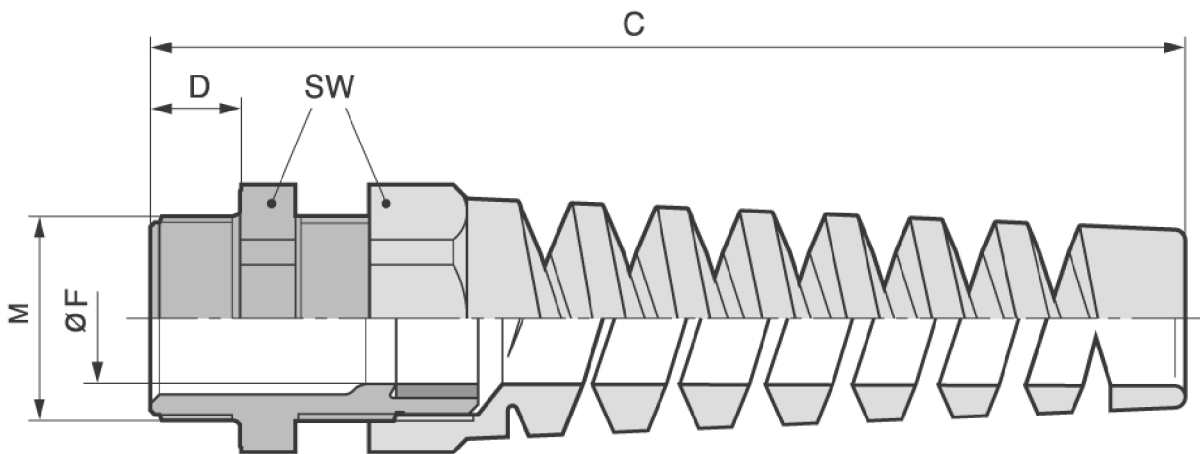
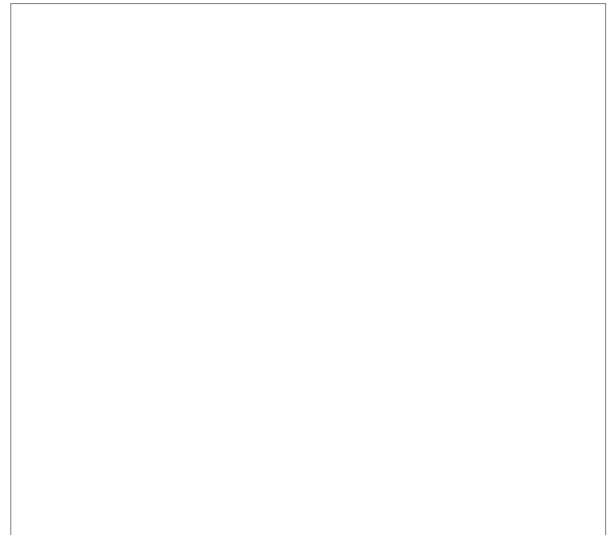
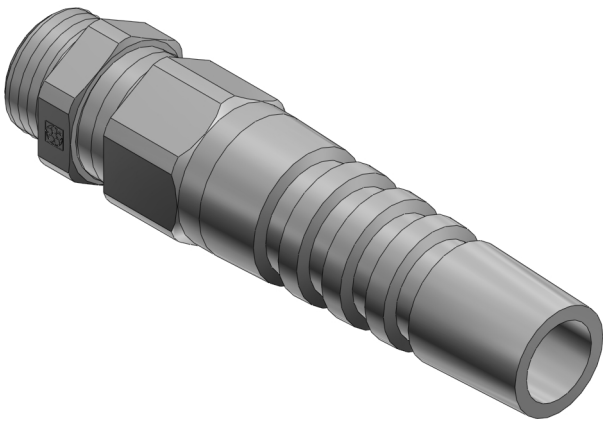


Product Description





**Technical Data**

ATN	53111610
M	M 16x1,5
FMIN	4.5
FMAX	10
F	4.5
SW	19
A	21
C	86
D	8
RAL7001	X
RAL7035	
RAL9005	
MATERIAL	Kunststoff