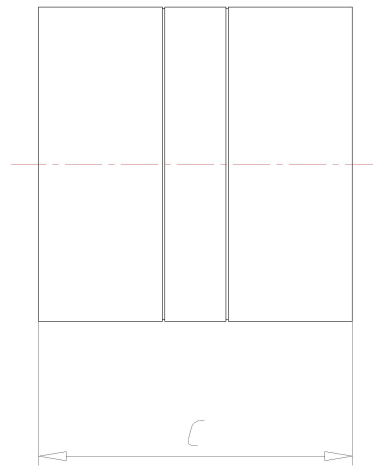
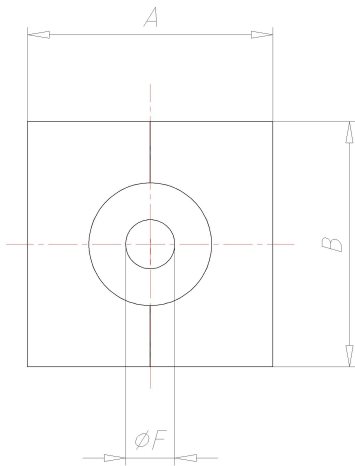


Product Description





Technical Data

| | |
|------|----------------------------------|
| ATN | 52220003 |
| TYP | SKINTOP® CUBE MODULE 20x20 LARGE |
| F | 6 |
| FMIN | 6 |
| FMAX | 9 |
| A | 20 |
| B | 20 |
| C | 20 |
| GE | 5.4 |