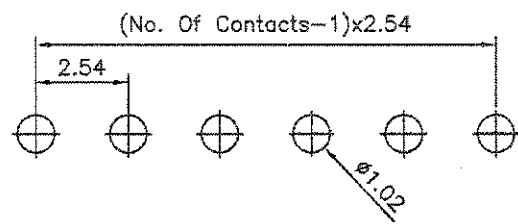
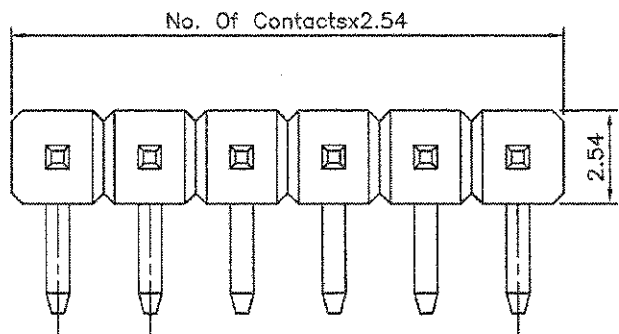


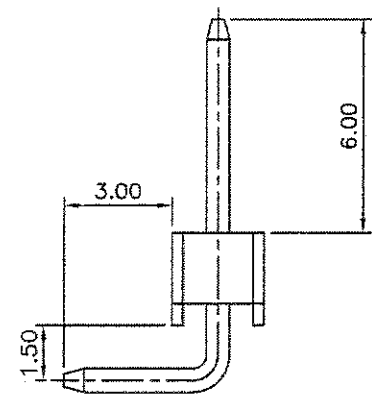
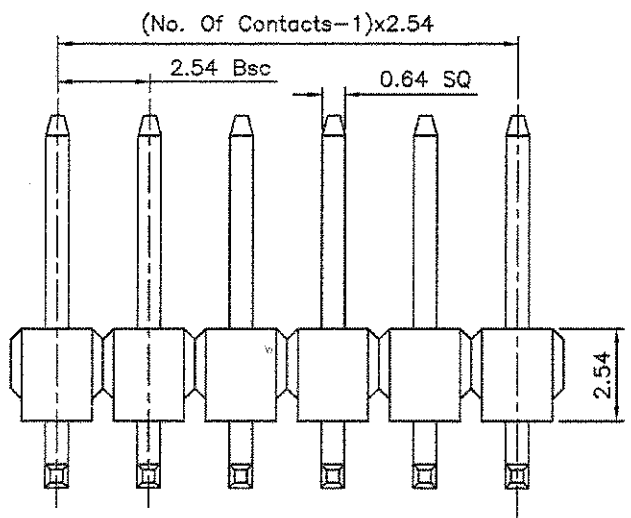
SPECIFICATION  
 MATERIAL :EPOXY FR4 (ILM-R1##)  
 CU :35um SINGLELAYER  
 PITCH :2.5mm  
 TOLERANCE :+0.2/-0.2  
 THICKNESS :1.6mm

**SPECIFICATIONS**

Current: 3A  
 Operating Temperature: -55°C To +105°C  
 Contact Resistance: 20 Milliohms Max.  
 Insulation Resistance: 1000 Megaohms Min.  
 Withstanding Voltage: AC 1000V RMS  
 Housing: Thermoplastic UL94V-0  
 Contact: Copper Alloys



Recommended P.C.B Layout



DRAWING No.  
00873

APPROVED BY  
MEI  
 CHECKED BY  
SHIN  
 DRAWING BY  
HZF

UNLESS OTHERWISE SPECIFIED TOLERANCES ARE  
 .X ±0.38  
 .XX ±0.25  
 ANG ±5°

SCALE NONE

REV. A0

UNIT mm

NO.	REV.	REVISIONS	CHK	DATE
△ A0		NEW RELEASE	SHIN	03/06/2006