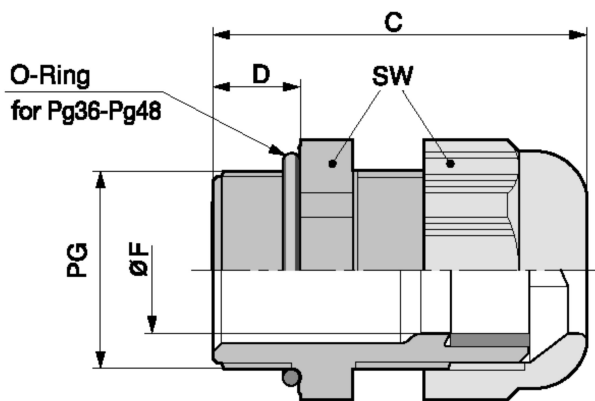
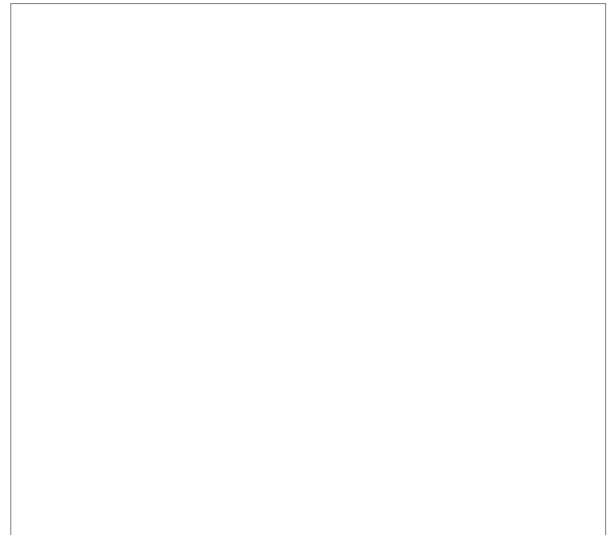
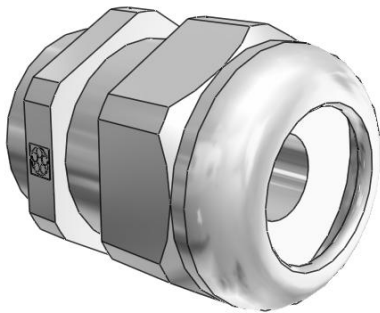


Product Description





Technical Data

ATN	53018060
PG	PG 29
FMIN	14
FMAX	25
F	14
SW	42
A	46.3
C	56
D	10.7
RAL7001	
RAL7035	X
RAL9005	
MATERIAL	Kunststoff