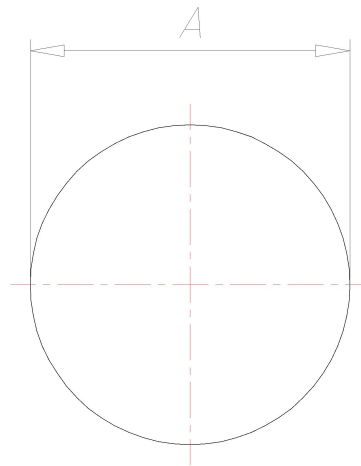
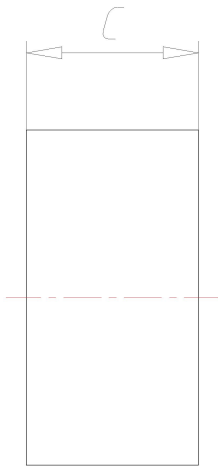
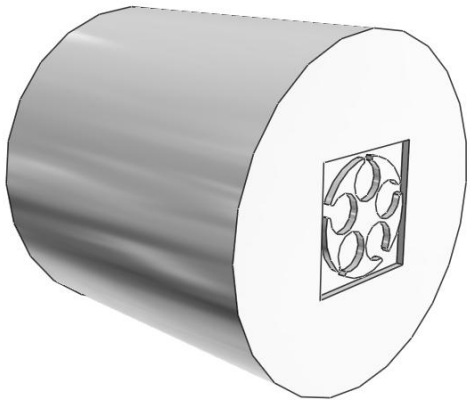


Product Description





Technical Data

ATN	54113000
M	M 12
A	7.2
C	7
MATERIAL	CR