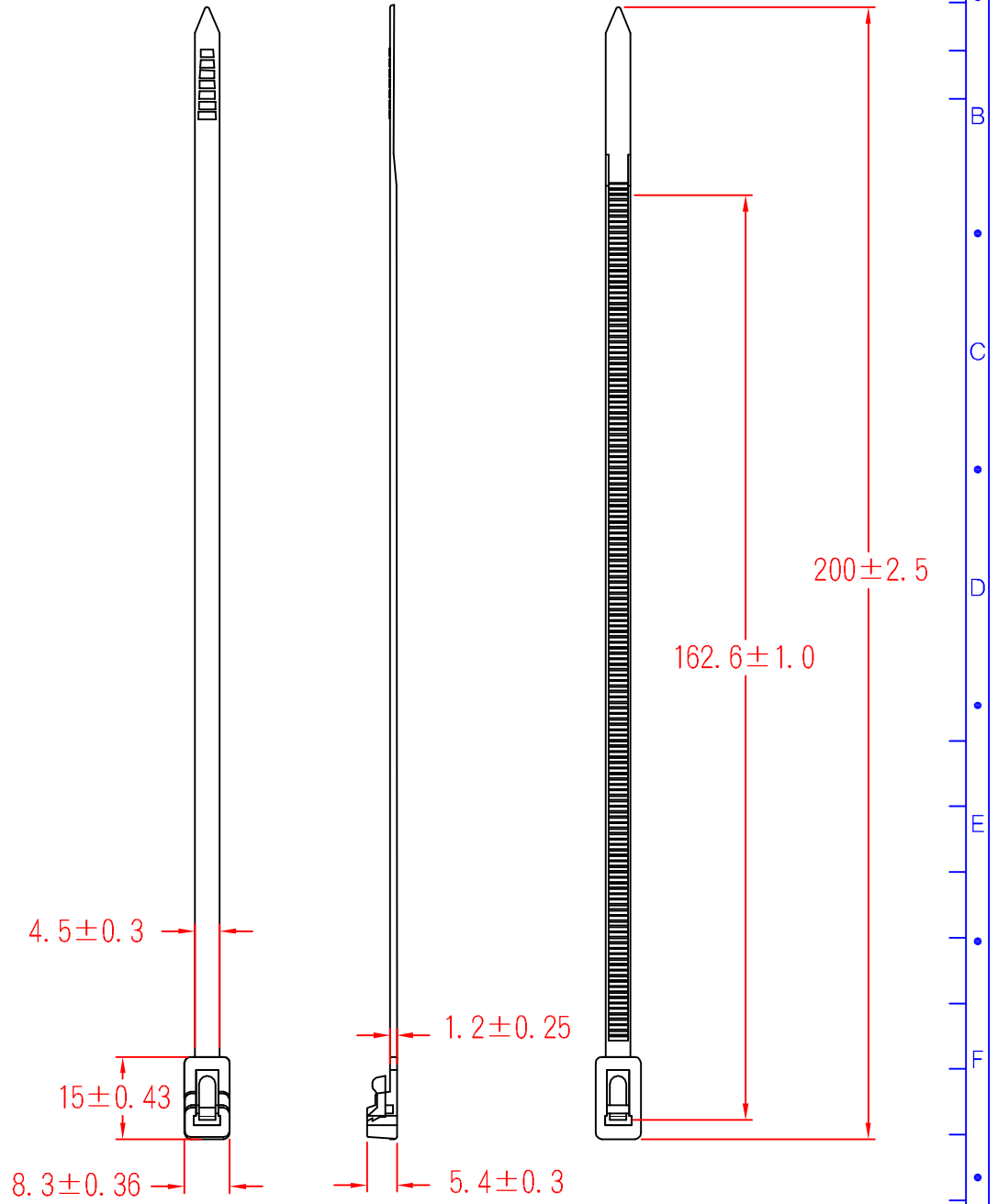


# HV-200SBK



MATERIAL: UL 94V-2  
NYLON 66

ITEM NO. HV-200SBK

SCALE

FINISH

NAME

RELEASIBLE CABLE TIE

$\triangle$  ( . . )

TOLERANCE  
AS FIGURE

$\triangle$  05-31-2007  
DATE

REVISIONS K001

R.NO.

