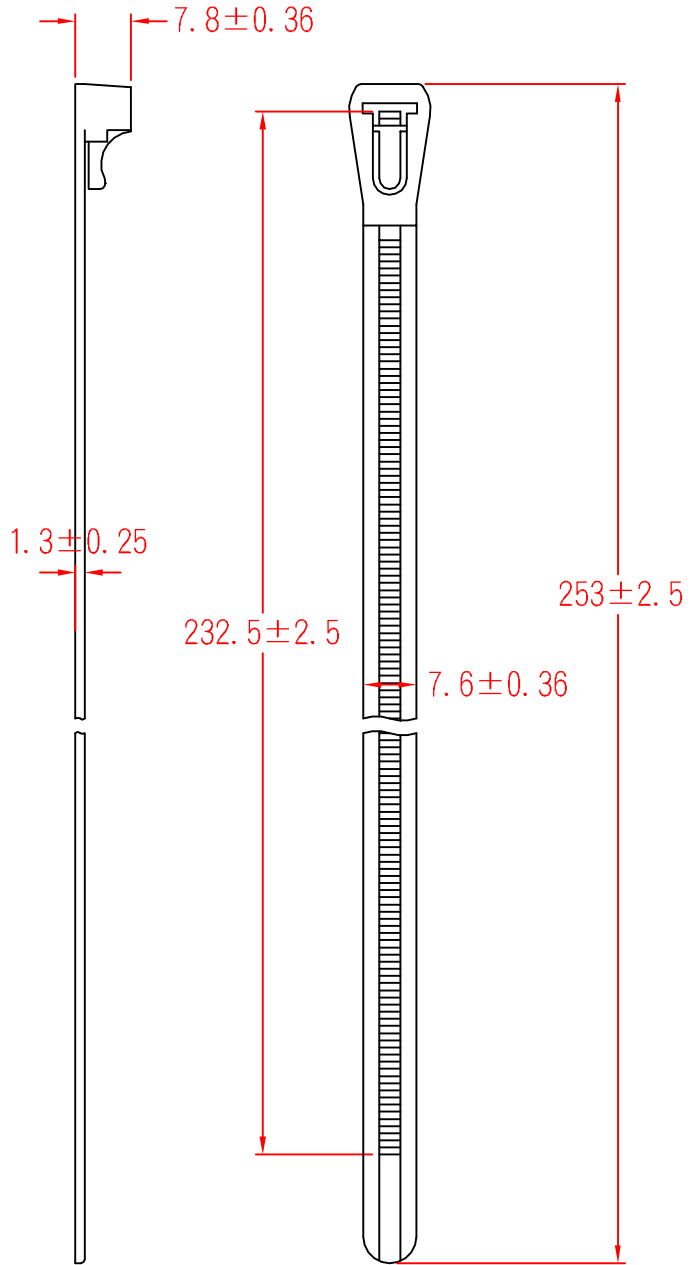


# HVCR-250BK



		MATERIAL	UL 94V-2	ITEM NO.	HVCR-250BK
			NYLON 66		
		FINISH		NAME	RELEASIBLE CABLE TIE
△	( . . )	TOLERANCE AS FIGURE		△	11-11-2003 DATE
				REVISIONS	K001
					R.NO.

