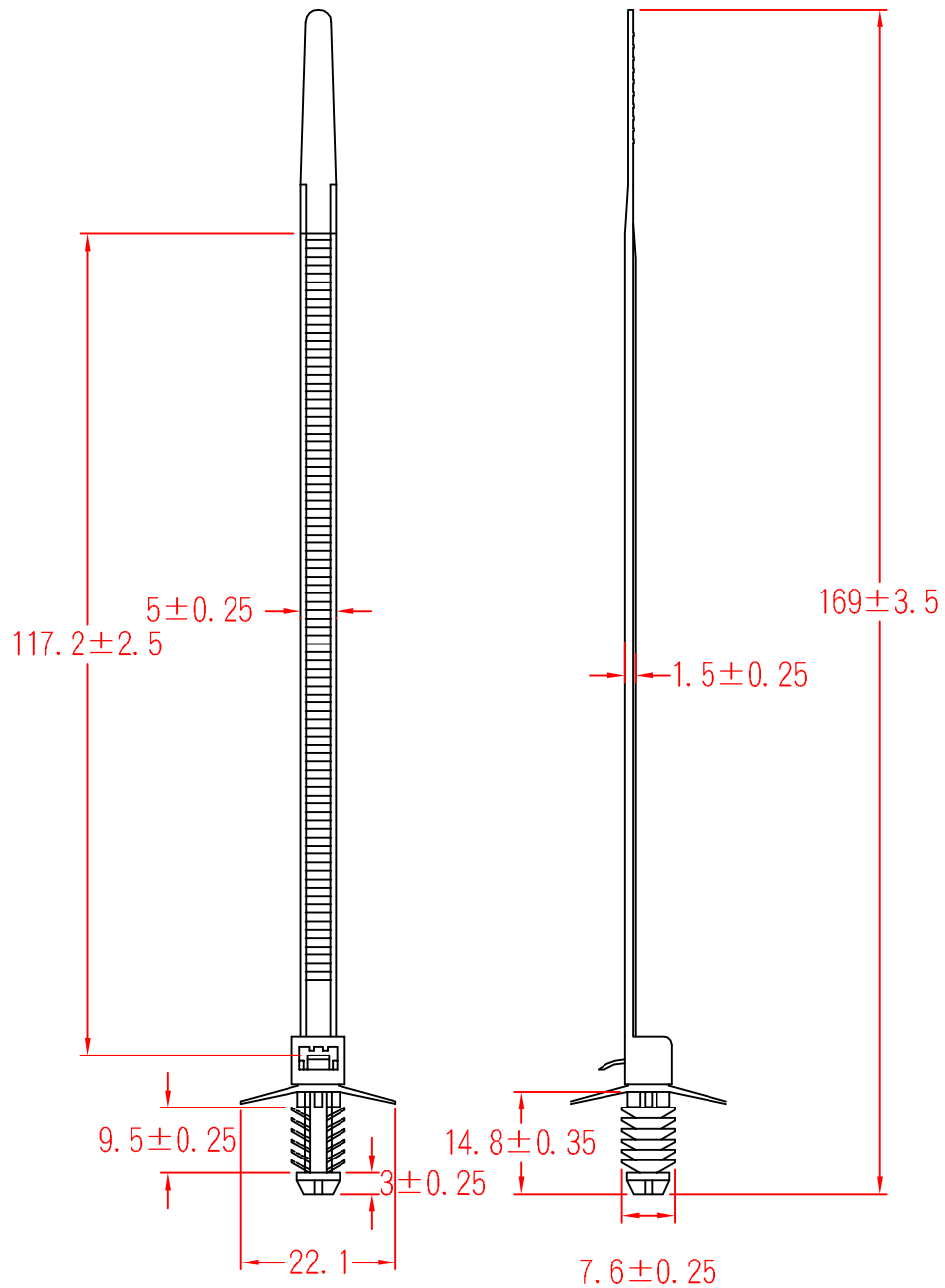


PDV-170



To fit 6.8mm hole
Drill Depth 15mm

MATERIAL: UL 94V-2
NYLON 66

ITEM NO. PDV-170

FINISH

NAME: RELEASABLE PUSH MOUNT TIES

\triangle (. .)

TOLERANCE AS FIGURE

\triangle 01-21-2010 DATE

REVISIONS K001

R.NO.

