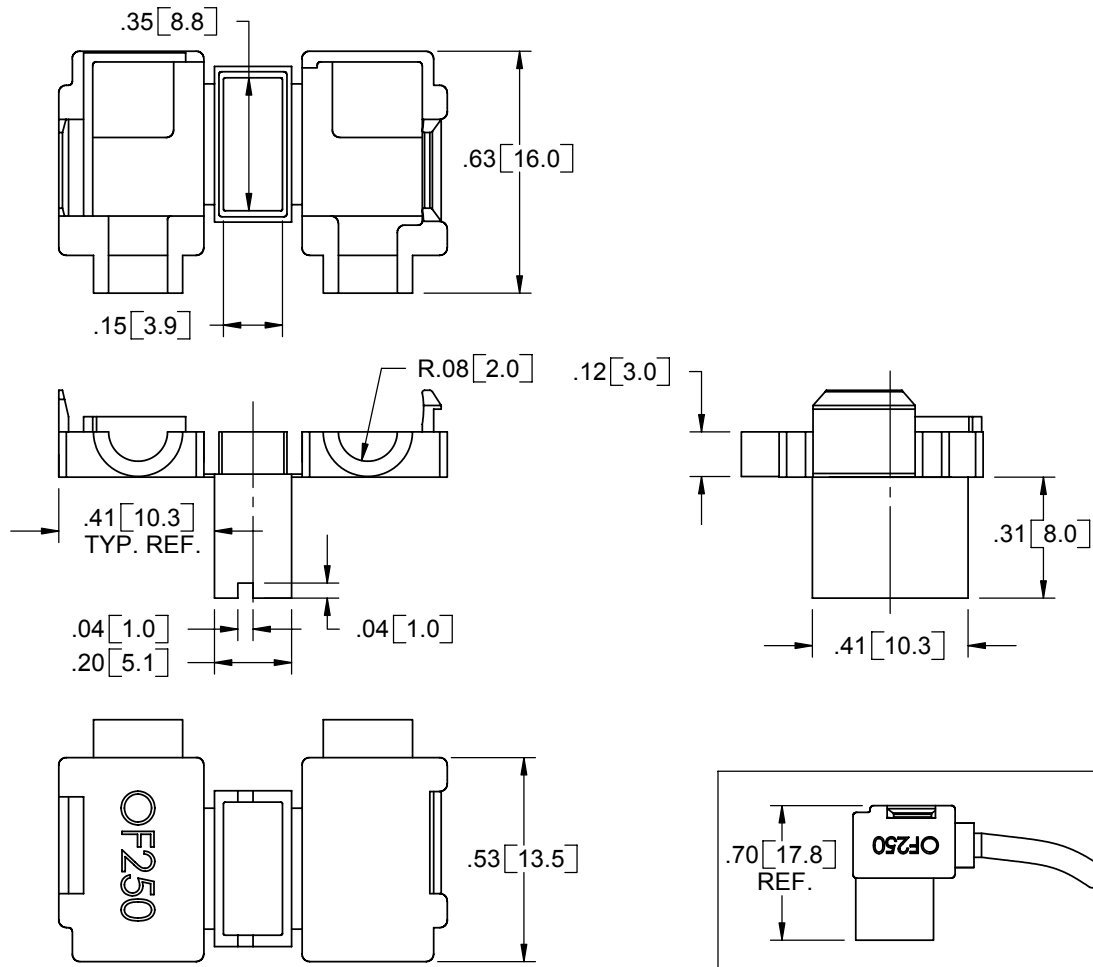
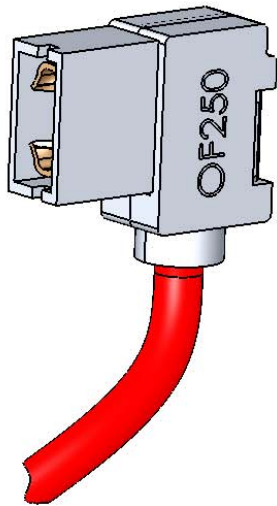
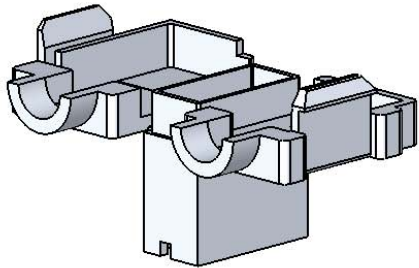


PART NO.	TERMINAL TYPE	WIRE DIA.	U.L. CAT. NO.
OF-250	FLAG TYPE 250 SERIES	.15 [3.9]	60



NOTES:
 1. MATERIAL: NYLON 6 (RMS-120).
 2. COLOR: NATURAL.

TITLE: "ONE TOUCH" SLEEVE INSULATOR				DWG IN IN [MM]	FINAL	PRINT TYPE
CREATED USING SOLIDWORKS	FILE #: OF	DWN: SK	APP: SK			
TOLERANCES UNLESS NOTED .XX=±.010 .XXX=±.005 FRAC.=±1/64 ANG.=±1°	SHEET: 1 OF 1	SHEET SIZE: A	DT: 03/08/05	CHKD: DJZ	PART #	CA
RE: RICHCO, INC.	RICHCO, INC. ENG@RICHCO-INC.COM (773) 539-4060		SEE TABLE			

REV.	DESCRIPTION	ENGR.	DATE
E	COMPLETELY REDRAWN, SEE ECN #960	SK	03/09/05
-	SEE ENGINEERING FOR REV A-D	-	---