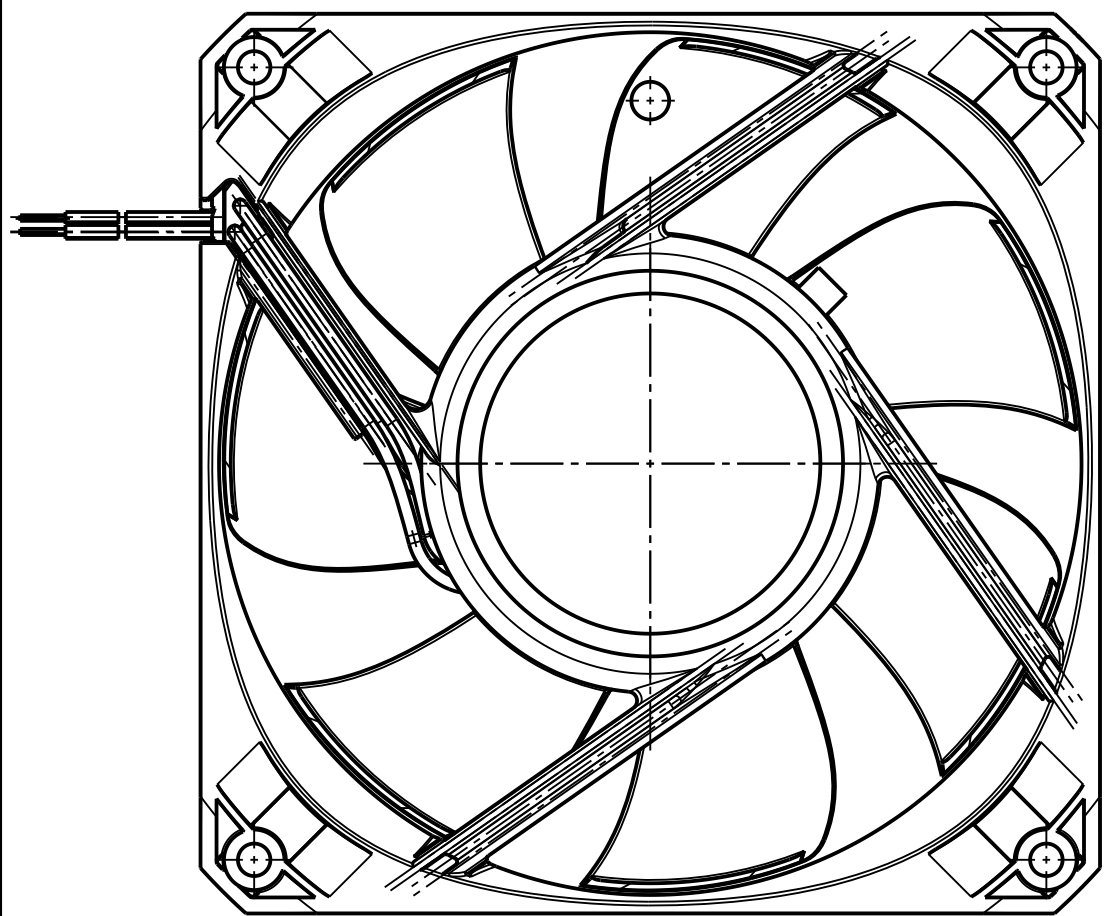
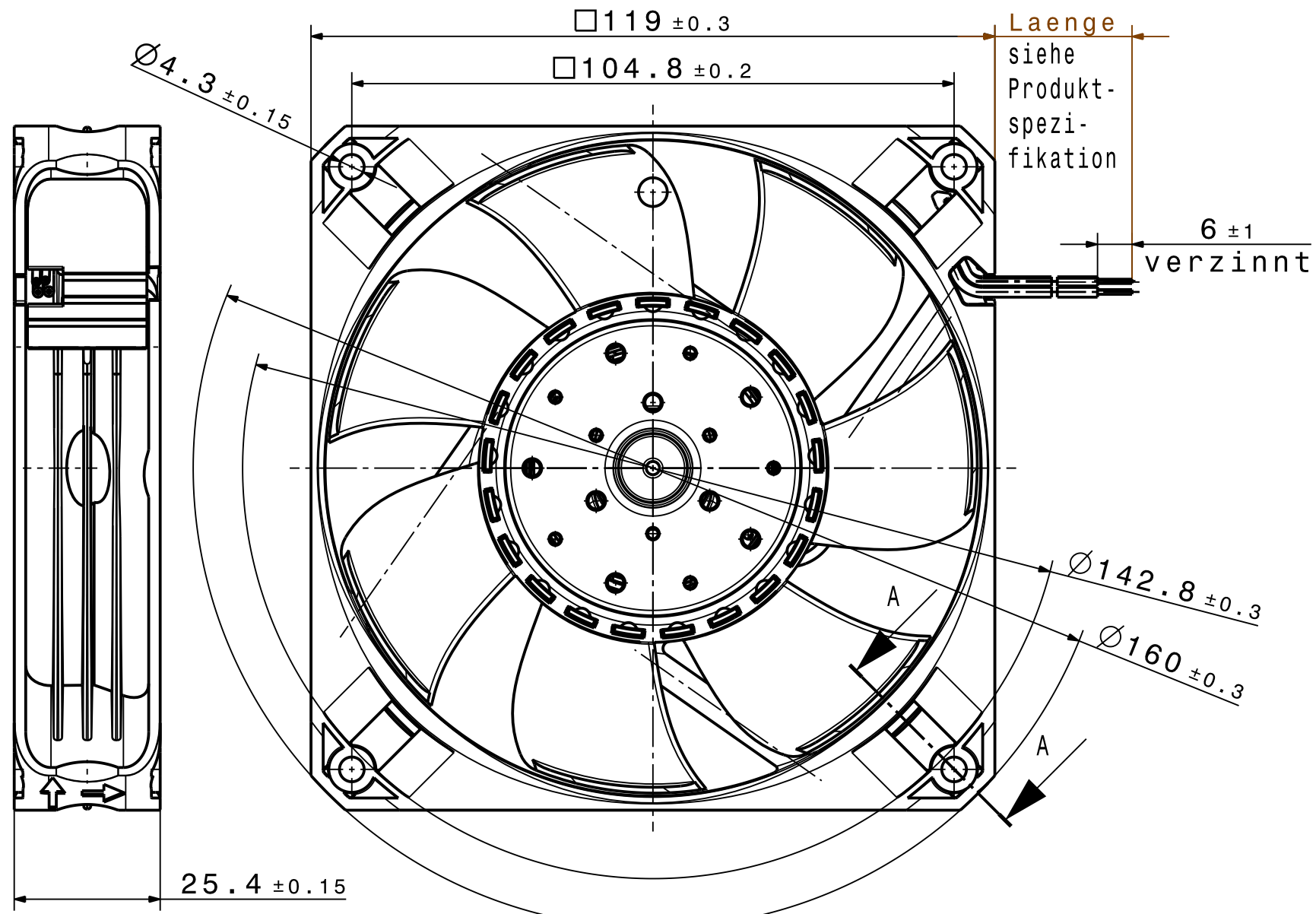
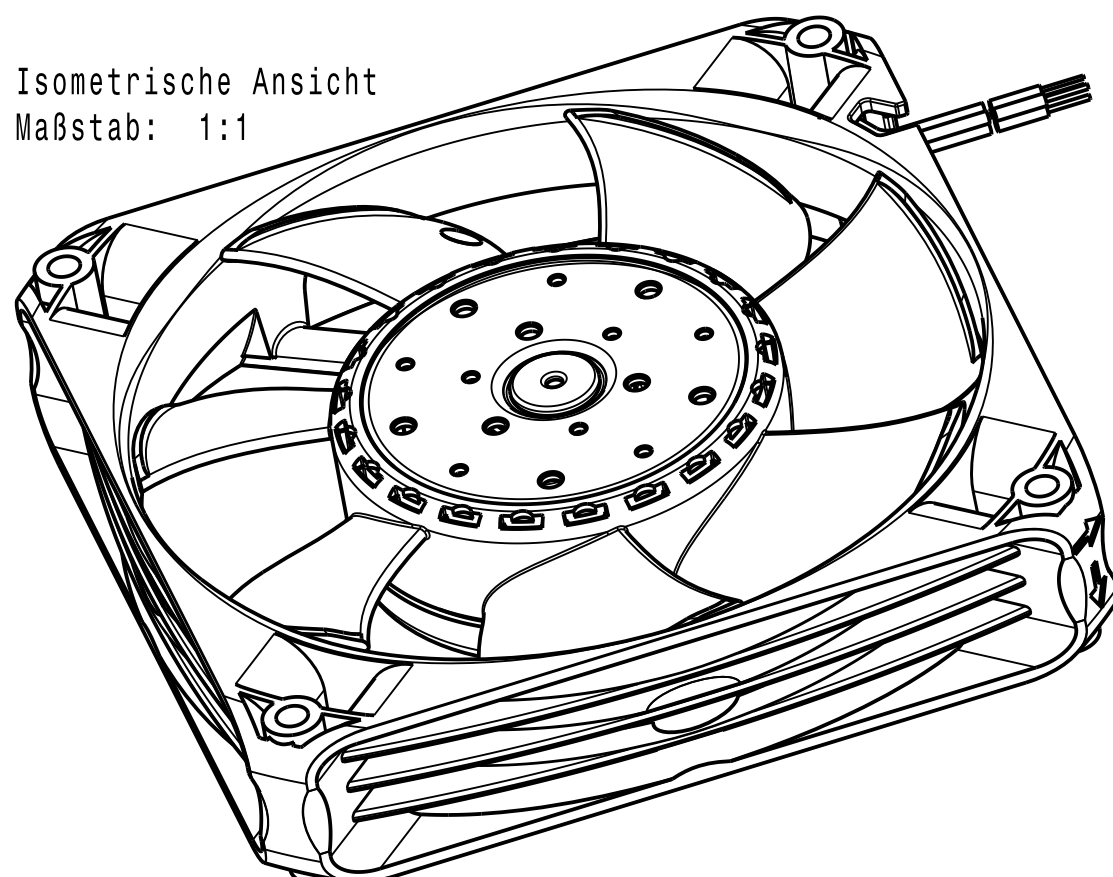


Copying of this document, and giving it others and the use or communication of the contents thereof, are forbidden without express authority. Offenders are liable to the payment of damages. All rights are reserved in the event of the grant of a patent or the registration of a utility model or design.

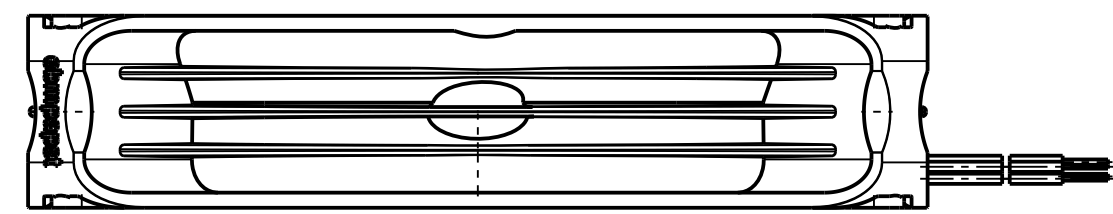
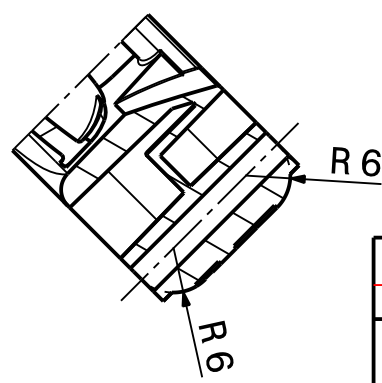
Schutzmerk nach DIN ISO 16016 beachten!  
Refer to protection notice DIN ISO 16016!



Isometrische Ansicht  
Maßstab: 1:1



SchnittA-A  
Maßstab: 1:1



-		.....	.....	.....	SAP-Status/State	Werkstoff/ Material:		.....	
Index/ Index	Aend.-Nr./ Change-No.	Datum/ Date	Name/ Name	FR	FR	Volumen/ Volume:	Gewicht/ Mass (kg):	.....	
		Datum		Name	Betriebsmittelbezeichnung / Name of Equipment:		1:1		
		Bearb./ Drawn	25.08.2005	Maier Bernd	.....		(-/-)		
		Gepr./ Checked	.....	.....	Artikel / Title:		Teildokument (Blatt/Page)		
Tolerierung / Tolerances:		Freig./ Releas.	02.11.2005	Koletzki	<b>Axialluefter 44NF</b>		002		
DIN 7167					<b>ebmpapst</b>		Dokumenttyp/ Type of Document		
Allgemeintoleranzen / Gen. Tolerances:					Zchg.-Nr./ Drawing No:		<b>9694390181</b>		
DIN ISO 2768 mK-E					Ers.f.Zchg./ Replaces:		Format/ Size:		
					.....		A3		

Speicherdatum: DD.MM.YYYY