




Safety Instructions



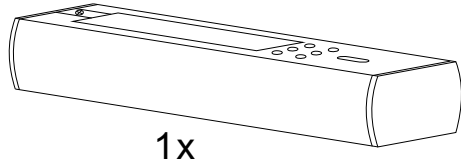
0, 1, 2, 4, 6, 7, 8, 9,
11, 15, 20, 22

Paulmann Licht GmbH
Quezinger Feld 2
D-31832 Springe
www.paulmann.com

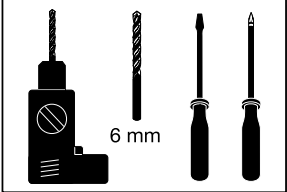


☎ +49 (0) 5041 998 389
Mon.-Do. ⌚ 7⁰⁰-20⁰⁰ ⌚
Fr. ⌚ 7⁰⁰-17⁰⁰ ⌚

1x s=1,5mm



1x



6 mm

