

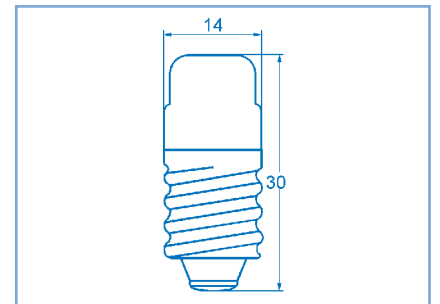
Röhrenlampen T4

KRL/I

Socket E14

(14 x 30 mm)

Spannung	Strom	Leistung	Artikel-Nr.	EAN 4021553....
6V	180mA	1,0W	00250618	152004
	330mA	2,0W	00250602	152011
	500mA	3,0W	00250603	152028
	850mA	5,0W	00250605	152035
12V	100mA	1,2W	00251212	152042
	166mA	2,0W	00251202	152059
	250mA	3,0W	00251203	152066
	420mA	5,0W	00251205	152318
24V	50mA	1,2W	00252412	152073
	80mA	2,0W	00252408	152080
	125mA	3,0W	00252403	152097
	200mA	5,0W	00252405	152103
24-30V		2,0W	00253008	152264
30V	50mA	1,5W	00253015	152325
	70mA	2,0W	00253002	152110
	100mA	3,0W	00253003	152127
	166mA	5,0W	00253005	152134
36V	55mA	2,0W	00253602	152141
	80mA	3,0W	00253603	152158
	140mA	5,0W	00253605	152356
42V	70mA	3,0W	00254203	152165
	120mA	5,0W	00254205	152172
48V	42mA	2,0W	00254802	152189
	63mA	3,0W	00254803	152196
	100mA	5,0W	00254805	152202
48-60V		2,0W	00256002	152288
60V	20mA	1,2W	00256012	152219
	33mA	2,0W	00256102	152226
	50mA	3,0W	00256003	152233
	83mA	5,0W	00256005	152240
110-130V		2,6W	00251320	152295
130V	38mA	5,0W	00251305	152332
220-260V		5,0W	00252605	152257
		5-7W	00252607	152349
Lampenzieher T4			01909008	



Abweichende Spannungen und Leistungen auf Anfrage lieferbar (VPE 100 Stück) !