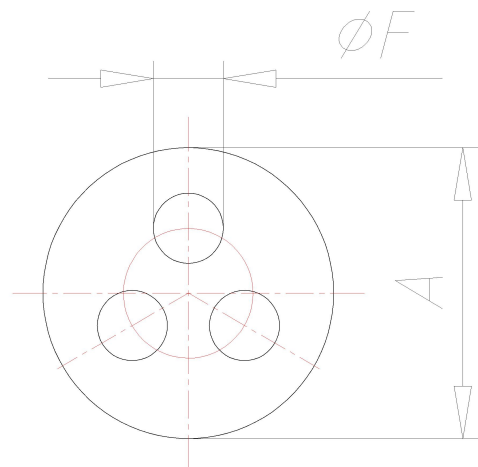
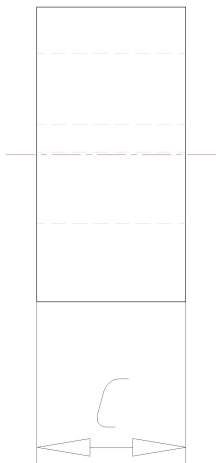
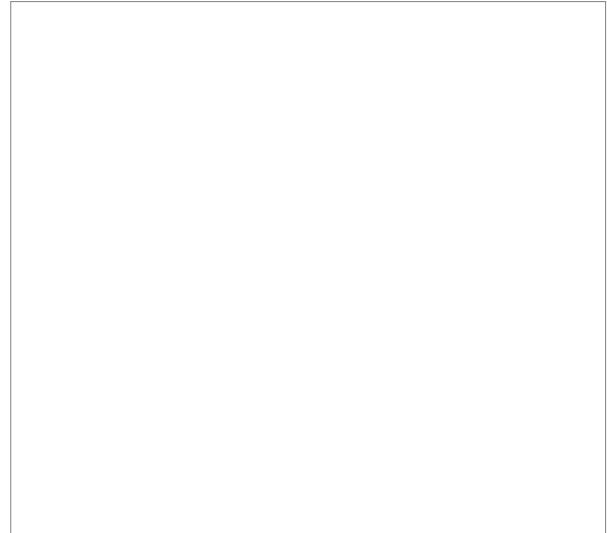


Product Description





**Technical Data**

ATN	53332290
GR	DIX-M 32
A	25.6
C	12
AB	2
F	9
MATERIAL	NBR