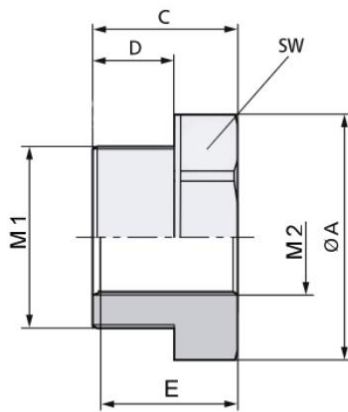
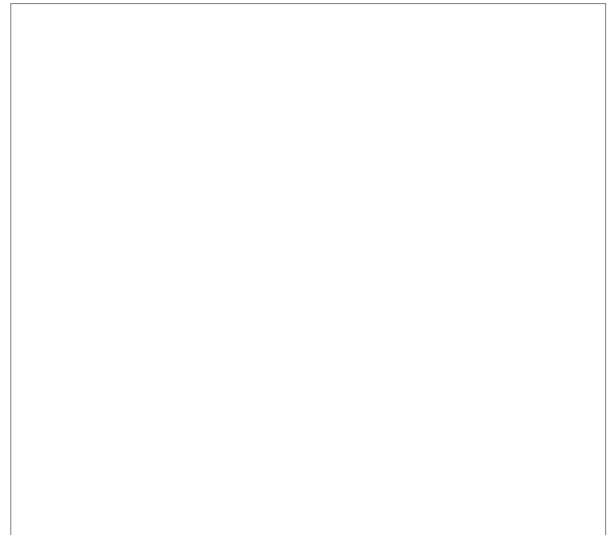
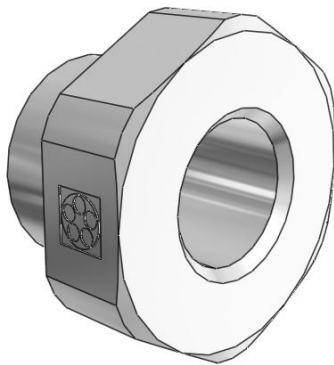


Product Description





Technical Data

| | |
|----------|------------|
| ATN | 52104505 |
| M1 | M 16x1,5 |
| M2 | M 12x1,5 |
| SW | 22 |
| A | 24 |
| C | 16 |
| D | 9 |
| E | 15.5 |
| RAL7035 | x |
| MATERIAL | Kunststoff |