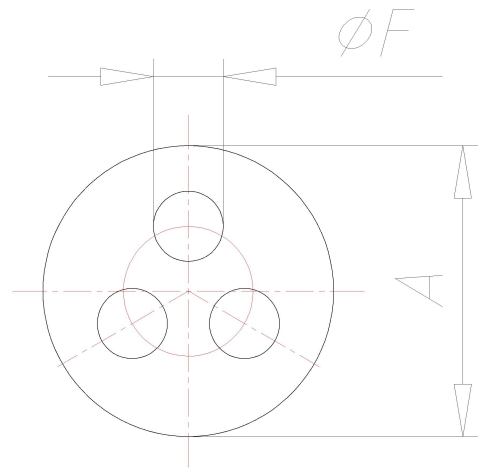
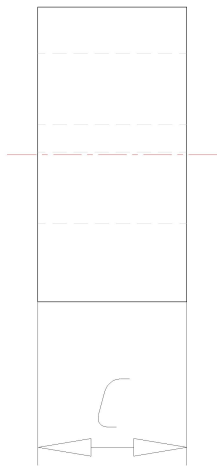
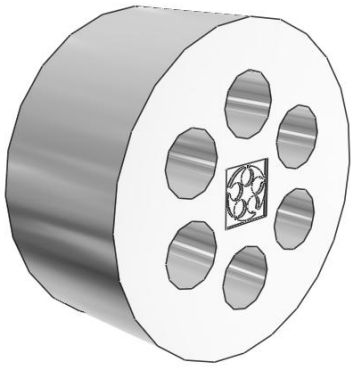


Product Description





Technical Data

ATN	53332650
GR	DIX-M 32
A	25.6
C	12
AB	6
F	5
MATERIAL	NBR