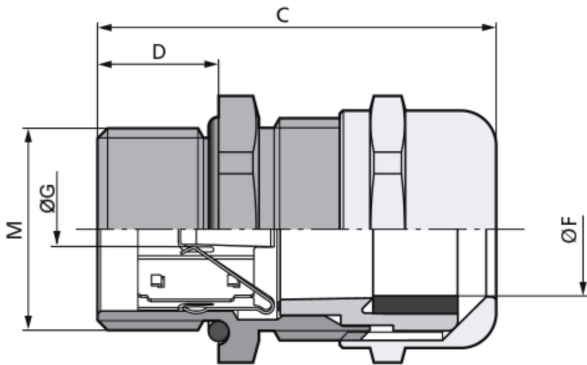
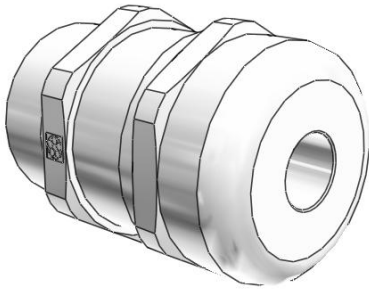


Product Description





Technical Data

ATN	53112645
M	M 25x1,5
FMIN	9
FMAX	16.5
F	9
G	7.5
SW	29
A	31.9
C	42.5
D	12
GMIN	7.5
GMAX	16.5
MATERIAL	Messing vernickelt