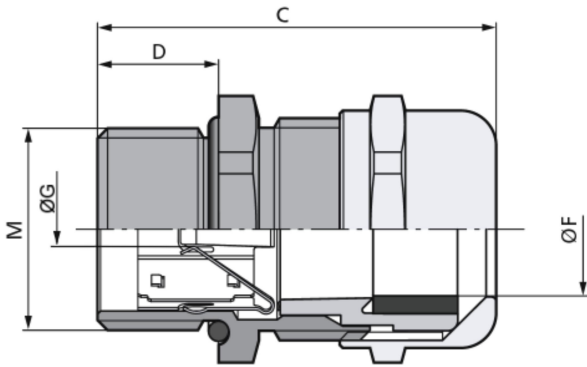
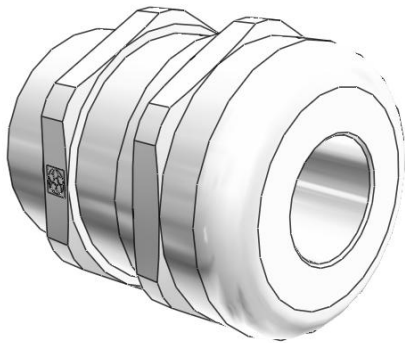


Product Description





**Technical Data**

ATN	53112665
M	M 40x1,5
FMIN	19
FMAX	28
F	19
G	15
SW	45
A	49.5
C	54
D	15
GMIN	15
GMAX	28
MATERIAL	Messing vernickelt