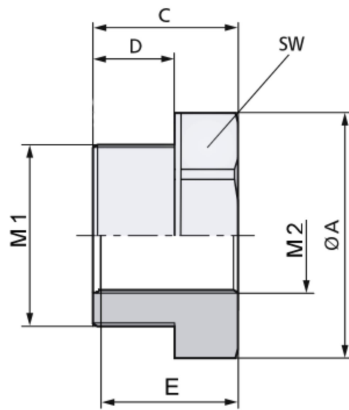
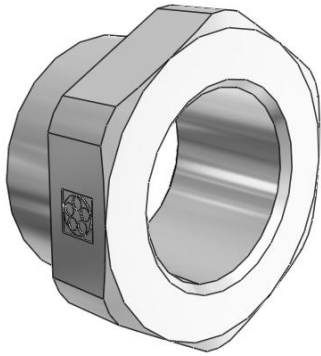


Product Description





**Technical Data**

ATN	52104474
M1	M 25x1,5
M2	M 20x1,5
SW	29
A	32
C	17
D	10
E	15.5
RAL7035	x
MATERIAL	Kunststoff