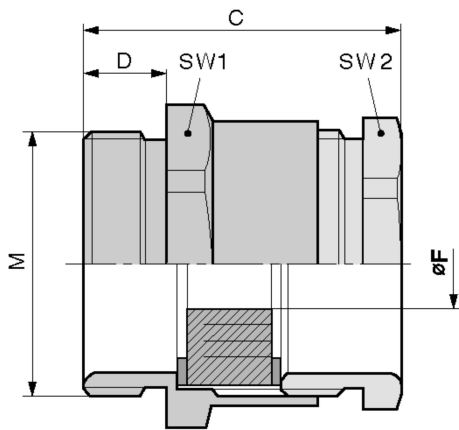
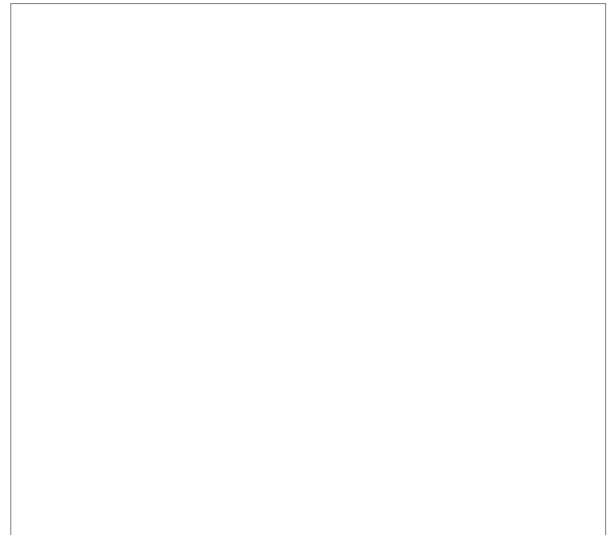
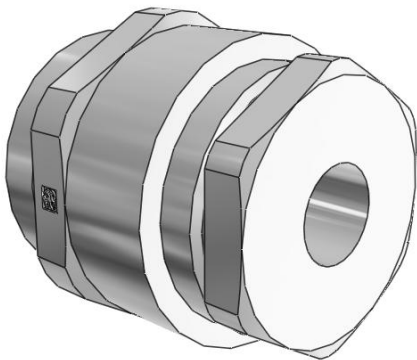


Product Description





Technical Data

ATN	52104990
M	M 20x1,5
FMIN	6.5
FMAX	13.5
F	6.5
SW1	22
A1	24
SW2	18
A2	20
C	23.6
D	6
MATERIAL	Messing vernickelt