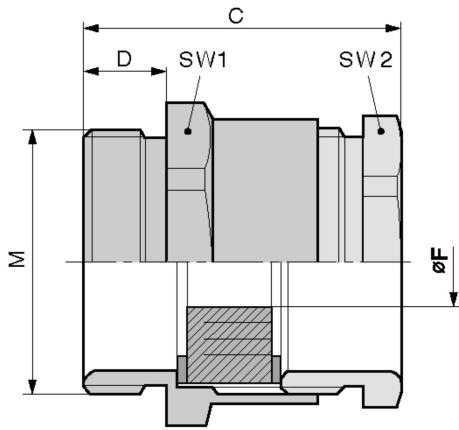
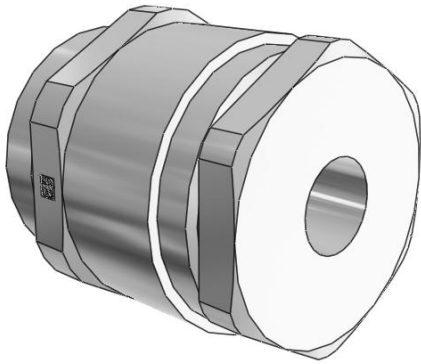


Product Description





Technical Data

ATN	52105000
M	M 20x1,5
FMIN	6.5
FMAX	13.5
F	6.5
SW1	22
A1	24
SW2	20
A2	22.2
C	25.1
D	6
MATERIAL	Messing vernickelt