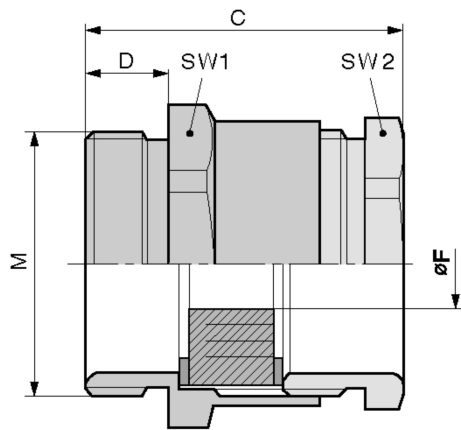
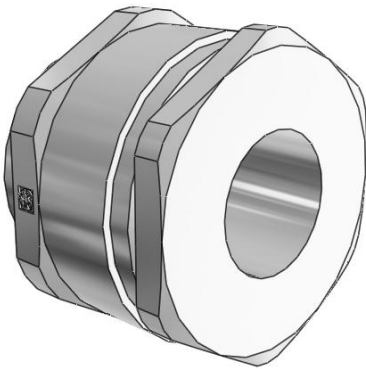


Product Description





**Technical Data**

ATN	52105003
M	M 32x1,5
FMIN	17
FMAX	28
F	17
SW1	39
A1	42.5
SW2	37
A2	41
C	32.6
D	8
MATERIAL	Messing vernickelt