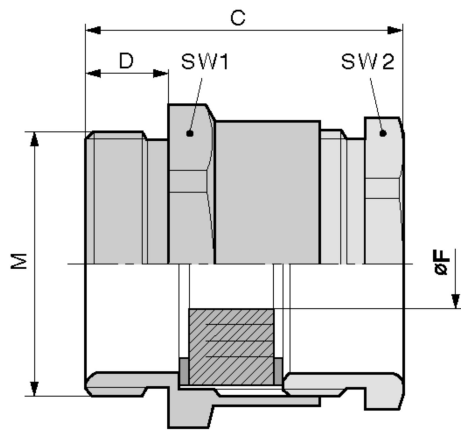
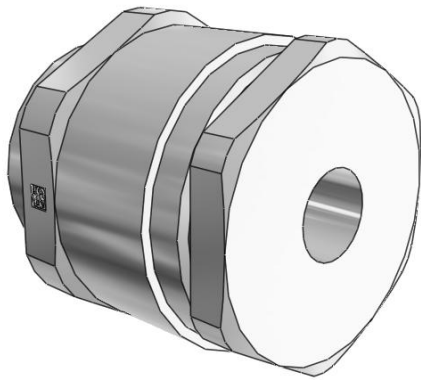


Product Description





Technical Data

ATN	52105010
M	M 20x1,5
FMIN	6.5
FMAX	16
F	6.5
SW1	24
A1	26.2
SW2	22
A2	24.4
C	26.1
D	6
MATERIAL	Messing vernickelt